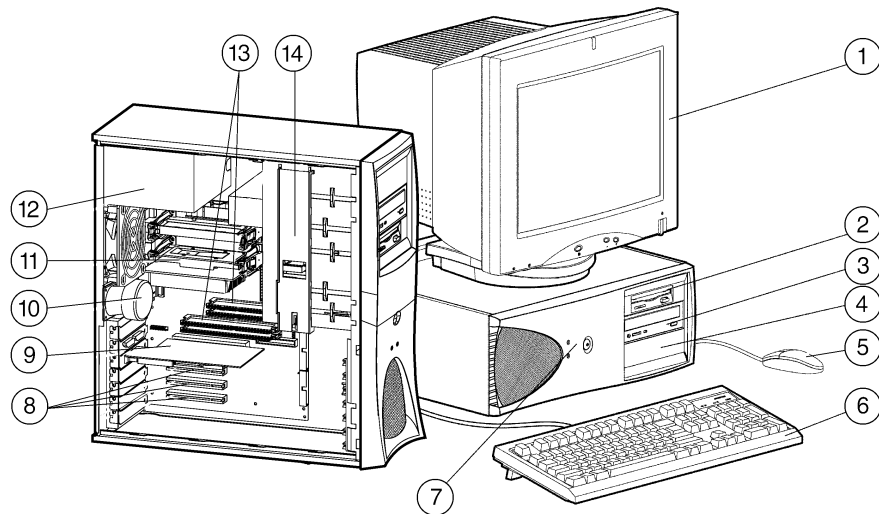


Overview

At A Glance

- Convertible minitower form factor
- Supports up to two Intel Pentium® III 1-GHz or 866-MHz (133-MHz Front Side Bus)
- Intel 840 chipset
- 256-KB L2 cache integrated on processor
- ECC RDRAM expandable to 2 GB
- High-performance Ultra3 (Ultra160) SCSI 10,000 rpm or optional 15,000 rpm hard drives
- Integrated Ultra3 (Ultra160) SCSI and Ultra ATA/66 controllers
- Up to 144 GB of high-performance internal storage
- Choice of NVIDIA Quadro2 MXR, Compaq NVIDIA TNT2 Pro, NVIDIA Quadro2 Pro, Matrox Millennium G450, ELSA GLoria II, ELSA Synergy II, Matrox G200 Quad Multi-monitor Series, or Intense3D Wildcat 4210 Graphics Controllers
- Multiple display support
- Integrated Intel PRO/100+ Management Adapter
- Five total slots (four PCI and one AGP Pro 4X)
- Five bays (three external and two internal)
- 40X or 48X Max CD-ROM Drive or DVD-ROM (depending on model) and Compaq Premier•Sound™ featuring AC '97 audio
- Windows® 2000 or Windows NT Workstation 4.0
- Protected by Compaq Services, including a three-year, limited warranty — Certain restrictions and exclusions apply. Consult the Compaq Customer Support Center for details. Three-year onsite and labor not available in all countries.



1. Compaq Monitor (optional)
2. 1.44-MB Diskette Drive
3. CD-ROM Drive or DVD-ROM Drive
4. 5.25-in Drive Bay (available)
5. Compaq 3-button Mouse
6. Compaq Keyboard
7. On-Off Button
8. PCI Slots
9. AGP Pro/AGP 4X Slot with graphics board
10. Speaker
11. Processors
12. 375-Watt Power Supply
13. Memory Sockets
14. Drivelock

Standard Features - Pre-configured Models

Models	Compaq Professional Workstation AP550 Available in multiple configurations. Not all configurations available in all countries. Check with your Authorized Compaq Reseller or Compaq.	
Processor <i>One of the following:</i>	Intel Pentium III processor 1 GHz Intel Pentium III processor 866 MHz	
Cache Memory	256-KB Level 2 cache per processor standard	
Upgradability	Upgradable to dual processor	
Memory <i>One of the following:</i>	Standard	1 GB of 800-MHz ECC RDRAM
	Standard	512 MB of 800-MHz ECC RDRAM
	Standard	256 MB of 800-MHz ECC RDRAM
	Standard	128 MB of 800-MHz ECC RDRAM
	Maximum	2 GB
Network Controller	Integrated Intel PRO/100+ Management Adapter	
Expansion Slots	I/O (Total/Available)	5
	PCI	4, 3 or 4, depending on model
	AGP Pro/AGP 4X	1, 0 or 1, depending on model
Storage Controller	Integrated Ultra3 (Ultra 160) SCSI and Ultra ATA/66 on all models	
Storage	Diskette Drives	1.44 MB
	ROM	40X or 48X Max CD-ROM Drive or DVD-ROM Drive
	Hard Drives	18.2-GB Ultra3 (Ultra160) SCSI (10,000 rpm) 9.1-GB Ultra3 (Ultra160) SCSI (10,000 rpm) 20-GB Ultra ATA (7200 rpm)
Interfaces	Parallel	1
	USB	2
	Serial	2
	Ultra3 (Ultra 160) SCSI	2 (1 68-pin internal, 1 68-pin external)
	Ultra ATA/66	2 (1 primary, 1 secondary)
	Keyboard (PS/2)	1
	Pointing Device (PS/2 mouse)	1
	Video	1
	Microphone Jack	1
	Headphone Jack	1
	Line-In Jack	1
	Line-Out Jack	1
	RJ-45	1

Standard Features - Pre-configured Models

Graphics	Intense3D Wildcat 4210 (AGP Pro 110/PCI, covers a second PCI slot due to size) Compaq NVIDIA TNT2 Pro (AGP) NVIDIA Quadro2 MXR (AGP) NVIDIA Quadro2 Pro (AGP) ELSA GLoria II (AGP) ELSA Synergy II (AGP) Matrox Millennium G450 (AGP or PCI) Matrox G200 Quad Multi-monitor Series (PCI)
<i>One of the following:</i>	
Audio	Compaq <i>Premier</i> Sound featuring AC'97 Audio Integrated speaker
Software	Microsoft® Windows NT Workstation 4.0 or Windows 2000 Professional (1-GHz models come with a Windows 2000/ Windows NT dual install) Microsoft Service Pack 6a for Windows NT 4.0 Microsoft Service Pack 1 for Windows 2000 Professional Compaq Restore CD Compaq Management Agents Compaq PC Diagnostics via the Web ROM-based Setup Diagnostics for Windows 2000 and Windows NT Microsoft Internet Explorer System Software Manager via the Web Altiris eXpress
Intelligent Manageability	Asset Control Alert on LAN (AoL) hardware ready Wake on LAN (WoL) Fault Management Lite Console Security Management Remote Management Remote Wakeup via Magic Packet Support Remote ROM Flash Remote Security Remote Shut Down Pre-Failure Warranty (processors, hard drives and memory) Bios Features Advanced Configuration and Power Interface (ACPI) 1.0b Advanced Power Management (APM) 1.2 Desktop Management Interface (DMI) 2.1 System Management (SM) Bios 2.3
Security	Diskette write and boot control Flash ROM lock Keyboard password Network server mode Parallel interface control Power-on password Serial interface control Setup password Cable lock provision
Power Supply	375-Watt Power Supply
Service and Support	Protected by Compaq Services including a three-year, limited warranty with three-year parts coverage, three year, on-site service, and three-year labor; 7 x 24 hardware technical phone support and on-line support through the Internet; Pre-Failure Warranty coverage of hard drives, memory, and processors. Note: Certain restrictions and exclusions apply. Consult the Compaq Customer Support Center for details. Three-year, onsite and labor not available in all countries.

Standard Features - Pre-configured Models

P55/1.0/20A/128/XC <i>470005-xxx and graphics option</i> (Note: Matrox G200 unavailable for Windows 2000 with Chinese, Taiwanese, and Korean languages)	Processor	Intel Pentium III 1-GHz
	Cache Memory	256-KB integrated L2
	Memory	128-MB 800-MHz ECC RDRAM
	Optical Drive	48X Max CD-ROM Drive
	Hard Drive	20-GB Ultra ATA 7200 rpm
	Graphics	Choice of graphics option: Matrox G200 Quad MMS with analog cables (159513-B21) (see note) Matrox G200 Quad MMS with DVI cables (179597-B21) (see note) Compaq NVIDIA TNT2 Pro (189998-B21) NVIDIA Quadro2 MXR (221412-B21) NVIDIA Quadro2 Pro (225339-B21) Matrox Millennium G450 (AGP) (202389-B21) Matrox Millennium G450 (PCI) (202390-B21) ELSA GLoria II (174566-B21) ELSA Synergy II (103382-B21) Intense3D Wildcat 4210 (202391-B21)
	Audio	AC97 with Compaq <i>Premier•Sound</i>
	OS	Windows 2000 Professional/Windows NT Workstation 4.0 (dual install)
P55/1.0/18S/256/4XC <i>470005-xxx</i> (Note: Matrox G200 unavailable for Windows 2000 with Chinese, Taiwanese, and Korean languages)	Processor	Intel Pentium III 1-GHz
	Cache Memory	256-KB integrated L2
	Memory	256-MB 800-MHz ECC RDRAM
	Optical Drive	48X Max CD-ROM Drive
	Hard Drive	18.2-GB Ultra3 (Ultra 160) SCSI 10,000 rpm
	Graphics	Matrox G200 MMS
	Audio	AC97 with Compaq <i>Premier•Sound</i>
	OS	Windows 2000 Professional/Windows NT Workstation 4.0 (dual install)
P55/1.0/18S/256/XC <i>470005-xxx and graphics option</i> (Note: Matrox G200 unavailable for Windows 2000 with Chinese, Taiwanese, and Korean languages)	Processor	Intel Pentium III 1-GHz
	Cache Memory	256-KB integrated L2
	Memory	256-MB 800-MHz ECC RDRAM
	Optical Drive	48X Max CD-ROM Drive
	Hard Drive	18.2-GB Ultra3 (Ultra 160) SCSI 10,000 rpm
	Graphics	Choice of graphics option: Matrox G200 Quad MMS with analog cables (159513-B21) (see note) Matrox G200 Quad MMS with DVI cables (179597-B21) (see note) Compaq NVIDIA TNT2 Pro (189998-B21) NVIDIA Quadro2 MXR (221412-B21) NVIDIA Quadro2 Pro (225339-B21) Matrox Millennium G450 (AGP) (202389-B21) Matrox Millennium G450 (PCI) (202390-B21) ELSA GLoria II (174566-B21) ELSA Synergy II (103382-B21) Intense3D Wildcat 4210 (202391-B21)
	Audio	AC97 with Compaq <i>Premier•Sound</i>
	OS	Windows 2000 Professional/Windows NT Workstation 4.0 (dual install)

Standard Features - Pre-configured Models

P55/1.0/18S/512/2+C 470005-xxx	Processor	Intel Pentium III 1-GHz
	Cache Memory	256-KB integrated L2
	Memory	512-MB 800-MHz ECC RDRAM
	Optical Drive	48X Max CD-ROM Drive
	Hard Drive	18.2-GB Ultra3 (Ultra 160) SCSI 10,000 rpm
	Graphics	ELSA Synergy II
	Audio	AC97 with Compaq <i>Premier•Sound</i>
	OS	Windows 2000 Professional/Windows NT Workstation 4.0 (dual install)
P55/1.0/18S/512/3MC 470005-xxx	Processor	Intel Pentium III 1-GHz
	Cache Memory	256-KB integrated L2
	Memory	512-MB 800-MHz ECC RDRAM
	Optical Drive	48X Max CD-ROM Drive
	Hard Drive	18.2-GB Ultra3 (Ultra 160) SCSI 10,000 rpm
	Graphics	ELSA GLoria II
	Audio	AC97 with Compaq <i>Premier•Sound</i>
	OS	Windows 2000 Professional/Windows NT Workstation 4.0 (dual install)
P55/1.0/18S/512/XC 470005-xxx and graphics option (Note: Matrox G200 unavailable for Windows 2000 with Chinese, Taiwanese, and Korean languages)	Processor	Intel Pentium III 1-GHz
	Cache Memory	256-KB integrated L2
	Memory	512-MB 800-MHz ECC RDRAM
	Optical Drive	48X Max CD-ROM Drive
	Hard Drive	18.2-GB Ultra3 (Ultra 160) SCSI 10,000 rpm
	Graphics	Choice of graphics option: Matrox G200 Quad MMS with analog cables (159513-B21) (see note) Matrox G200 Quad MMS with DVI cables (179597-B21) (see note) Compaq NVIDIA TNT2 Pro (189998-B21) NVIDIA Quadro2 MXR (221412-B21) NVIDIA Quadro2 Pro (225339-B21) Matrox Millennium G450 AGP (202389-B21) Matrox Millennium G450 PCI (202390-B21) ELSA GLoria II (174566-B21) ELSA Synergy II (103382-B21) Intense3D Wildcat 4210 (202391-B21)
	Audio	AC97 with Compaq <i>Premier•Sound</i>
	OS	Windows 2000 Professional/Windows NT Workstation 4.0 (dual install)

Standard Features - Pre-configured Models

P55/1.0+/18S/512/XC <i>470005-xxx and graphics option</i> (Note: Matrox G200 unavailable for Windows 2000 with Chinese, Taiwanese, and Korean languages)	Processor	Dual Intel Pentium III 1-GHz
	Cache Memory	256-KB integrated L2
	Memory	512-MB 800-MHz ECC RDRAM
	Optical Drive	48X Max CD-ROM Drive
	Hard Drive	18.2-GB Ultra3 (Ultra 160) SCSI 10,000 rpm
	Graphics	Choice of graphics option: Matrox G200 Quad MMS with analog cables (159513-B21) (see note) Matrox G200 Quad MMS with DVI cables (179597-B21) (see note) Compaq NVIDIA TNT2 Pro (189998-B21) NVIDIA Quadro2 MXR (221412-B21) NVIDIA Quadro2 Pro (225339-B21) Matrox Millennium G450 (AGP) (202389-B21) Matrox Millennium G450 (PCI) (202390-B21) ELSA GLoria II (174566-B21) ELSA Synergy II (103382-B21) Intense3D Wildcat 4210 (202391-B21)
	Audio	AC97 with Compaq <i>Premier</i> Sound
	OS	Windows 2000 Professional/Windows NT Workstation 4.0 (dual install)

P55/1.0/18S/512/XD <i>470005-xxx and graphics option</i> (Note: Matrox G200 unavailable for Windows 2000 with Chinese, Taiwanese, and Korean languages)	Processor	Intel Pentium III 1-GHz
	Cache Memory	256-KB integrated L2
	Memory	512-MB 800-MHz ECC RDRAM
	Optical Drive	10X/40X DVD-ROM Drive
	Hard Drive	18.2-GB Ultra3 (Ultra 160) SCSI 10,000 rpm
	Graphics	Choice of graphics option: Matrox G200 Quad MMS with analog cables (159513-B21) (see note) Matrox G200 Quad MMS with DVI cables (179597-B21) (see note) Compaq NVIDIA TNT2 Pro (189998-B21) NVIDIA Quadro2 MXR (221412-B21) NVIDIA Quadro2 Pro (225339-B21) Matrox Millennium G450 (AGP) (202389-B21) Matrox Millennium G450 (PCI) (202390-B21) ELSA GLoria II (174566-B21) ELSA Synergy II (103382-B21) Intense3D Wildcat 4210 (202391-B21)
	Audio	AC97 with Compaq <i>Premier</i> Sound
	OS	Windows 2000 Professional/Windows NT Workstation 4.0 (dual install)

Standard Features - Pre-configured Models

P55/1.0+/18S+/1.0/XC <i>470005-xxx and graphics option</i> (Note: Matrox G200 unavailable for Windows 2000 with Chinese, Taiwanese, and Korean languages)	Processor	Dual Intel Pentium III 1-GHz	
	Cache Memory	256-KB integrated L2	
	Memory	1-GB 800-MHz ECC RDRAM	
	Optical Drive	48X Max CD-ROM Drive	
	Hard Drive	Dual 18.2-GB Ultra3 (Ultra 160) SCSI 10,000 rpm	
	Graphics	Choice of graphics option: Matrox G200 Quad MMS with analog cables (159513-B21) (see note) Matrox G200 Quad MMS with DVI cables (179597-B21) (see note) Compaq NVIDIA TNT2 Pro (189998-B21) NVIDIA Quadro2 MXR (221412-B21) NVIDIA Quadro2 Pro (225339-B21) Matrox Millennium G450 (AGP) (202389-B21) Matrox Millennium G450 (PCI) (202390-B21) ELSA GLoria II (174566-B21) ELSA Synergy II (103382-B21) Intense3D Wildcat 4210 (202391-B21)	
	Audio	AC97 with Compaq <i>Premier•Sound</i>	
	OS	Windows 2000 Professional/Windows NT Workstation 4.0 (dual install)	
	<hr/>		
	55M/866/512R8/18L/X <i>470003-xxx and graphics option</i>	Processor	Intel Pentium III 866-MHz
Cache Memory		256-KB integrated L2	
Memory		512-MB 800-MHz ECC RDRAM	
Optical Drive		40X Max CD-ROM Drive	
Hard Drive		18.2-GB Ultra3 (Ultra160) SCSI 10,000 rpm	
Graphics		Choice of graphics option: Matrox G200 Quad MMS with analog cables (159513-B21) Matrox G200 Quad MMS with DVI cables (179597-B21) Compaq NVIDIA TNT2 Pro (189998-B21) NVIDIA Quadro2 MXR (221412-B21) NVIDIA Quadro2 Pro (225339-B21) Matrox Millennium G450 (AGP) (202389-B21) Matrox Millennium G450 (PCI) (202390-B21) ELSA GLoria II (174566-B21) ELSA Synergy II (103382-B21) Intense3D Wildcat 4210 (202391-B21)	
Audio		AC97 with Compaq <i>Premier•Sound</i>	
OS		Windows NT Workstation 4.0	
<hr/>			
55M/866/256R8/18L/2 <i>190108-xx1</i>		Processor	Intel Pentium III 866-MHz
	Cache Memory	256-KB integrated L2	
	Memory	256-MB 800-MHz ECC RDRAM	
	Optical Drive	40X Max CD-ROM Drive	
	Hard Drive	18.2-GB Ultra3 (Ultra160) SCSI 10,000 rpm	
	Graphics	Compaq NVIDIA TNT2 Pro	
	Audio	AC97 with Compaq <i>Premier•Sound</i>	
	OS	Windows NT Workstation 4.0	

Standard Features - Pre-configured Models

55M/866/256R8/18L/2+ 176326-xx1	Processor	Intel Pentium III 866-MHz
	Cache Memory	256-KB integrated L2
	Memory	256-MB 800-MHz ECC RDRAM
	Optical Drive	40X Max CD-ROM Drive
	Hard Drive	18.2-GB Ultra3 (Ultra160) SCSI 10,000 rpm
	Graphics	ELSA Synergy II
	Audio	AC97 with Compaq <i>Premier•Sound</i>
	OS	Windows NT Workstation 4.0
55M/866/256R8/9L/4X 470003-xxx	Processor	Intel Pentium III 866-MHz
	Cache Memory	256-KB integrated L2
	Memory	256-MB 800-MHz ECC RDRAM
	Optical Drive	40X Max CD-ROM Drive
	Hard Drive	9.1-GB Ultra3 (Ultra160) SCSI 10,000 rpm
	Graphics	Matrox G200 Quad MMS with analog cables
	Audio	AC97 with Compaq <i>Premier•Sound</i>
	OS	Windows NT Workstation 4.0
55M/866/256R8/18L/X 176326-xx4 and graphics option	Processor	Intel Pentium III 866-MHz
	Cache Memory	256-KB integrated L2
	Memory	256-MB 800-MHz ECC RDRAM
	Optical Drive	40X Max CD-ROM Drive
	Hard Drive	18.2-GB Ultra3 (Ultra160) SCSI 10,000 rpm
	Graphics	Choice of graphics option: Matrox G200 Quad MMS with analog cables (159513-B21) Matrox G200 Quad MMS with DVI cables (179597-B21) Compaq NVIDIA TNT2 Pro (189998-B21) NVIDIA Quadro2 MXR (221412-B21) NVIDIA Quadro2 Pro (225339-B21) Matrox Millennium G450 (AGP) (202389-B21) Matrox Millennium G450 (PCI) (202390-B21) ELSA GLoria II (174566-B21) ELSA Synergy II (103382-B21) Intense3D Wildcat 4210 (202391-B21)
	Audio	AC97 with Compaq <i>Premier•Sound</i>
	OS	Windows NT Workstation 4.0

Standard Features - Pre-configured Models

55M/866/256R8/18L/X/W*176326-xx6 and graphics option*

(Note: Matrox G200 DualHead unavailable for Windows 2000 with Chinese, Taiwanese, and Korean languages)

Processor	Intel Pentium III 866-MHz
Cache Memory	256-KB integrated L2
Memory	256-MB 800-MHz ECC RDRAM
Optical Drive	40X Max CD-ROM Drive
Hard Drive	18.2-GB Ultra3 (Ultra160) SCSI 10,000 rpm
Graphics	Choice of graphics option: Millennium G450 (AGP) (202389-B21) Millennium G450 (PCI) (202390-B21) Matrox G200 Quad MMS with analog cables (159513-B21) (see note) Matrox G200 Quad MMS with DVI cables (179597-B21) (see note) Compaq NVIDIA TNT2 Pro 189998-B21 NVIDIA Quadro2 MXR (221412-B21) NVIDIA Quadro2 Pro (225339-B21) ELSA GLoria II (174566-B21) ELSA Synergy II (103382-B21) Intense3D Wildcat 4210 (202391-B21)
Audio	AC97 with Compaq <i>Premier•Sound</i>
OS	Windows 2000 Professional

55M/866/256R8/18L/3M*176326-xx7*

Processor	Intel Pentium III 866-MHz
Cache Memory	256-KB integrated L2
Memory	256-MB 800-MHz ECC RDRAM
Optical Drive	40X Max CD-ROM Drive
Hard Drive	18.2-GB Ultra3 (Ultra160) SCSI 10,000 rpm
Graphics	ELSA GLoria II
Audio	AC97 with Compaq <i>Premier•Sound</i>
OS	Windows NT Workstation 4.0

Standard Features – Custom Configuration Models

Processor	Intel Pentium III processor 1 GHz Intel Pentium III processor 866 MHz	
Cache Memory	256-KB Level 2 cache standard	
Upgradability	Upgradable to dual processor	
Memory	Maximum	2 GB of 800 or 600-MHz ECC RDRAM
Network Controller	Integrated Intel PRO/100+ Management Adapter	
Expansion Slots	I/O	5
	PCI	4
	AGP Pro/AGP 4X	1
Storage Controller	Integrated Ultra3 (Ultra 160) SCSI and Ultra ATA/66	
Storage	Diskette Drives	1.44 MB
	ROM Drives	48X Max CD-ROM Drive 10X/40X DVD-ROM Drive
	Hard Drives	72-GB, 36.4-GB, 18.2-GB, or 9.1-GB Ultra3 (Ultra160) SCSI (10,000 rpm) 18.2-GB Ultra3 (Ultra160) SCSI (15,000 rpm) 40-GB, 30-GB, or 20-GB Ultra ATA (7200 rpm)
	Removable Storage	8X/4X/32X CD-RW Drive
Interfaces	Parallel	1
	USB	2
	Serial	2
	Ultra3 (Ultra 160) SCSI	2 (1 68-pin internal, 1 68-pin external)
	Ultra ATA/66	2 (1 primary, 1 secondary)
	Keyboard (PS/2)	1
	Pointing Device (PS/2 mouse)	1
	Video	1
	Microphone Jack	1
	Headphone Jack	1
	Line-In	1
	Line-Out	1
Graphics	Intense3D Wildcat 4210 (AGP Pro 110/PCI, covers a second PCI slot due to size) NVIDIA Quadro2 MXR (AGP) Compaq NVIDIA TNT2 Pro (AGP) NVIDIA Quadro2 Pro (AGP) ELSA GLoria II (AGP) ELSA Synergy II (AGP) Matrox Millennium G450 (AGP or PCI) Matrox G200 Quad Multi-monitor Series (PCI)	

Standard Features – Custom Configuration Models

Audio	Compaq Premier•Sound featuring AC'97 Audio Integrated speaker
Software	Microsoft Windows NT Workstation 4.0 or Windows 2000 Microsoft Service Pack 6a for Windows NT 4.0 Microsoft Service Pack 1 for Windows 2000 Professional Compaq Restore CD Compaq Management Agents Compaq PC Diagnostics via the Web ROM-based Setup Diagnostics for Windows 2000 and Windows NT Microsoft Internet Explorer System Software Manager via the Web Altiris eXpress
Intelligent Manageability	Asset Control Alert on LAN (AoL) hardware ready Wake on LAN (WoL) Fault Management Lite Console Security Management Remote Management Remote Wakeup via Magic Packet Support Remote ROM Flash Remote Security Remote Shut Down Pre-Failure Warranty (processors, hard drives and memory) Bios Features Advanced Configuration and Power Interface (ACPI) 1.0b Advanced Power Management (APM) 1.2 Desktop Management Interface (DMI) 2.1 System Management (SM) Bios 2.3
Security	Diskette write and boot control Flash ROM lock Keyboard password Network server mode Parallel interface control Power-on password Serial interface control Setup password Cable lock provision
Power Supply	375-Watt Power Supply
Service and Support	Protected by Compaq Services including a three-year, limited warranty with three-year parts coverage, three-year, on-site service, and three-year labor; 7 x 24 hardware technical phone support and on-line support through the Internet; Pre-Failure Warranty coverage of hard drives, memory, and processors. <i>Note: Certain restrictions and exclusions apply. Consult the Compaq Customer Support Center for details. Three-year, onsite and labor not available in all countries.</i>

Options

Processor	Pentium III 1 GHz Processor	201057-B21
	Pentium III 866 MHz Processor	176798-B21
	Pentium III 733 MHz Processor	157131-B21
<i>Note: When adding an additional processor, both processors must have the same speed.</i>		
Memory (RDRAM)	512-MB Memory Module (800-MHz ECC)	103996-B21
	256-MB Memory Module (800-MHz ECC)	157341-B21
	128-MB Memory Module (800-MHz ECC)	157338-B21
	64-MB Memory Module (800-MHz ECC)	157335-B21
	256-MB Memory Module (600-MHz ECC)	157339-B21
	128-MB Memory Module (600-MHz ECC)	157336-B21
	64-MB Memory Module (600-MHz ECC)	157333-B21
<i>Note: Memory must be installed in like pairs. Option kits contain one memory module.</i>		
Monitors	TFT8020 Flat Panel Color (18-inch, Opal)	326100-xxx
	TFT8020 Flat Panel Color (18-inch, Carbon)	159244-xxx
	TFT7000 Flat Panel Color (17-inch) (not available in NA)	136143-xxx
	TFT5010 Flat Panel Color (15-inch, Opal)	104741-xxx
	TFT5010 Flat Panel Color (15-inch, Carbon)	154486-xxx
	P1100 CRT (21-inch)	325606-xxx
	P900 CRT (19-inch)	386326-xxx
	P700 CRT (17-inch)	380207-xxx
	V1100 CRT (21-inch)	386472-xxx
	V710 CRT (17-inch)	187895-xxx
<i>Note: AssetControl monitor. AssetControl features are accessible with Compaq Workstations featuring Intelligent Manageability.</i>		
Graphics	Matrox G200 Quad Multi-monitor Series with cables for analog output (PCI) (not available for Windows 2000 with Chinese, Taiwanese, or Korean languages)	159513-B21
	Matrox G200 Quad Multi-monitor Series with cables for DVI output (PCI) (not available for Windows 2000 with Chinese, Taiwanese, or Korean languages)	179597-B21
	Matrox G200 Quad MMS DVI Upgrade Cable Kit (for option kit 159513-B21)	170840-B21
	ELSA Synergy II (AGP)	103382-B21
	ELSA GLoria II (AGP)	174566-B21
	Matrox Millennium G450 (PCI)	202390-B21
	Matrox Millennium G450 (AGP)	202389-B21
	NVIDIA Quadro2 MXR (AGP)	221412-B21
	Compaq NVIDIA TNT2 Pro (AGP)	189998-B21
	NVIDIA Quadro2 Pro (AGP)	225339-B21
	3Dlabs Oxygen GVX1 (AGP) (EMEA and Asia Pacific only)	136398-B21
	3Dlabs Oxygen GVX1 (PCI) (EMEA and Asia Pacific only)	136397-B21
	Intense3D Wildcat 4210 (AGP Pro 110/PCI, covers second PCI slot due to size)	202391-B21
Diskette Drives	100-MB ATAPI ZIP	294402-B21
	250-MB ATAPI ZIP	294416-B21

Options

Hard Drives	Ultra3 (Ultra160) SCSI Drives		
	72-GB Ultra3 (Ultra160) SCSI 10,000 rpm (1.6")	201735-B21	
	36.4-GB Ultra3 (Ultra160) SCSI 10,000 rpm	191189-B21	
	18.2-GB Ultra3 (Ultra160) SCSI 15,000 rpm	191188-B21	
	18.2-GB Ultra3 (Ultra160) SCSI 10,000 rpm	159764-B21	
	9.1-GB Ultra3 (Ultra160) SCSI 10,000 rpm	159763-B21	
	Ultra ATA Drives		
	40-GB Ultra ATA 7200 rpm Quiet Seek and Quiet Idle	201066-B21	
	30-GB Ultra ATA 7200 rpm Quiet Seek and Quiet Idle	178252-B21	
	20-GB Ultra ATA 7200 rpm Quiet Seek (outside EMEA)	176272-B21	
	20-GB Ultra ATA 7200 rpm Quiet Seek and Quiet Idle (EMEA only)	176275-021	
	Storage Controllers	Adaptec 29160N Ultra 160 (U3) Single Channel SCSI Controller	157810-B21
	Tape Drives	TR5 10/20-GB	294243-B21
20/40-GB DAT		157769-B21	
33/66 GB VXA-1 SCSI Tape Drive (Opal)		237108-B21	
33/66 GB VXA-1 IDE Tape Drive (Opal)		237109-B21	
33/66 GB VXA-1 Media (2-Pack)		237111-B21	
VXA-1 Cleaning Cartridge		237110-B21	
Biometrics		Compaq Fingerprint Identification Technology	294307-001
Multimedia	Premier•Sound PS330 Speakers (high-end system with subwoofer)	160992-xx1	
	ACS233 External Speakers	203622-xxx	
	ACS21 External Speakers (enhanced system with subwoofer)	194839-xxx	
	10X/40X DVD-ROM (without MPEG2 decoder)	294414-B21	
	12X/8X/32X CD-RW Drive (Opal)	217638-B21	
	4.7-GB DVD-RAM Drive	294415-B21	
	4.7-GB DVD-RAM Drive Media Kit	211082-B21	
Communications	Intel PRO/100+ Management Adapter	127453-B21	
	Compaq NC3123 Fast Ethernet NIC PCI 10/100 WoL	174830-B21	
	Compaq NC3122 Fast Ethernet NIC PCI Dual 10/100	317450-B21	
	Compaq NC3134: 64 PCI, Dual Base 10/100 WoL	138603-B21	
	Compaq NC3135: 10/100 Dual Upgrade Module (for NC3134)	138604-B21	
	Compaq NC6134 Gbit NIC 64 PCI 1000SX	174818-B21	
	V.90 PCI Modem (available in North America)	174537-B21	
Uninterruptible Power Systems	Compaq Tower UPS Model T1500h (high voltage, not available in North America)	242688-004	
	Compaq Tower UPS Model T1500 (low voltage)	242688-003	
	Compaq Tower UPS Model T1000h (high voltage, not available in North America)	242688-002	
	Compaq Tower UPS Model T1000 (low voltage)	242688-001	
	Compaq Tower UPS Model T700h (high voltage, not available in North America)	295372-B22	
	Compaq Tower UPS Model T700 (low voltage)	295372-B21	

Options

Other	Compaq Spaceball 4000 3D Motion Control Input Device	112138-B21
	3-Button Mouse	269192-B22
	Compaq Scroll Mouse	170299-B21
	Easy Access Keyboard	122660-xx6
	Compaq Smart Card Keyboard	115506-xx6
	External SCSI Adapter 68-/50-Pin	270187-B21
	Sliding Shelf Kit for Rack	332564-B21
	Rack Mount Conversion Kit, fixed Rails	303606-B21
Depth Adjustable Rails	332558-B21	
<hr/>		
Support Software CD	Annual Subscription	183426-xxx
	Single CD-ROM (current month)	272505-001

Memory

Compaq Professional Workstation AP550 (128 MB)

STANDARD MEMORY

128-MB of 800-MHz ECC RDRAM is standard. Memory must be installed in like pairs. Mixing 600-MHz and 800-MHz RDRAM will cause the system to operate at the lower speed.

STANDARD MEMORY PLUS OPTIONAL MEMORY

Support for up to 1152 MB of 800-MHz ECC RDRAM is available with the installation of optional Memory Kits. Memory must be installed in like pairs. Mixing 600-MHz and 800-MHz RDRAM will cause the system to operate at the lower speed.

STANDARD MEMORY REPLACED WITH OPTIONAL MEMORY

Support for up to 2 GB of 600-MHz or 800-MHz ECC RDRAM is available with the removal of the standard 64-MB RDRAM modules and the installation of optional 600-MHz or 800-MHz ECC RDRAM Kits. Memory must be installed in like pairs. Mixing 600-MHz and 800-MHz RDRAM will cause the system to operate at the lower speed.

Note: These charts do not represent all possible memory configurations. Memory must be installed in like pairs. Option kits contain one memory module. Mixing 600-MHz and 800-MHz RDRAM will cause the system to operate at the lower speed.

Memory		Memory Channel A		Memory Channel B	
		XMM1	XMM2	XMM3	XMM4
Standard	128 MB	64 MB	CRIMM	64 MB	CRIMM
Optional	256 MB	64 MB	64 MB	64 MB	64 MB
Optional	384 MB	64 MB	128 MB	64 MB	128 MB
Optional	640 MB	64 MB	256 MB	64 MB	256 MB
Optional	1152 MB	64 MB	512 MB	64 MB	512 MB
Maximum	512 MB	128 MB	128 MB	128 MB	128 MB
Maximum	1024 MB	256 MB	256 MB	256 MB	256 MB
Maximum	2048 MB	512 MB	512 MB	512 MB	512 MB

Following are memory options available from Compaq:

- 512-MB Memory Kit (RDRAM RIMM, 800 MHz) 103996-B21
- 256-MB Memory Kit (RDRAM RIMM, 800 MHz) 157341-B21
- 128-MB Memory Kit (RDRAM RIMM, 800 MHz) 157338-B21
- 64-MB Memory Kit (RDRAM RIMM, 800 MHz) 157335-B21
- 256-MB Memory Kit (RDRAM RIMM, 600 MHz) 157339-B21
- 128-MB Memory Kit (RDRAM RIMM, 600 MHz) 157336-B21
- 64-MB Memory Kit (RDRAM RIMM, 600 MHz) 157333-B21

Memory

Compaq Professional Workstation AP550 (256 MB)

STANDARD MEMORY

256-MB of 800-MHz ECC RDRAM is standard. Memory must be installed in like pairs. Mixing 600-MHz and 800-MHz RDRAM will cause the system to operate at the lower speed.

STANDARD MEMORY PLUS OPTIONAL MEMORY

Support for up to 1280 MB of 600-MHz or 800-MHz ECC RDRAM is available with the installation of optional Memory Kits. Memory must be installed in like pairs. Mixing 600-MHz and 800-MHz RDRAM will cause the system to operate at the lower speed.

STANDARD MEMORY REPLACED WITH OPTIONAL MEMORY

Support for up to 2 GB of 600-MHz or 800-MHz ECC RDRAM is available with the removal of the standard 128-MB RDRAM modules and the installation of optional 600-MHz or 800-MHz ECC RDRAM Kits. Memory must be installed in like pairs. Mixing 600-MHz and 800-MHz RDRAM will cause the system to operate at the lower speed.

Note: This chart does not represent all possible memory configurations. Memory must be installed in like pairs. Option kits contain one memory module. Mixing 600-MHz and 800-MHz RDRAM will cause the system to operate at the lower speed.

Memory		Memory Channel A		Memory Channel B	
		XMM1	XMM2	XMM3	XMM4
Standard	256 MB	128 MB	CRIMM	128 MB	CRIMM
Optional	384 MB	128 MB	64 MB	128 MB	64 MB
Optional	512 MB	128 MB	128 MB	128 MB	128 MB
Optional	768 MB	128 MB	256 MB	128 MB	256 MB
Optional	1280 MB	128 MB	512MB	128 MB	512 MB
Maximum	1024 MB	256 MB	256 MB	256 MB	256 MB
Maximum	2048 MB	512 MB	512 MB	512 MB	512 MB

Following are memory options available from Compaq:

- 512-MB Memory Kit (RDRAM RIMM, 800 MHz) 103996-B21
- 256-MB Memory Kit (RDRAM RIMM, 800 MHz) 157341-B21
- 128-MB Memory Kit (RDRAM RIMM, 800 MHz) 157338-B21
- 64-MB Memory Kit (RDRAM RIMM, 800 MHz) 157335-B21
- 256-MB Memory Kit (RDRAM RIMM, 600 MHz) 157339-B21
- 128-MB Memory Kit (RDRAM RIMM, 600 MHz) 157336-B21
- 64-MB Memory Kit (RDRAM RIMM, 600 MHz) 157333-B21

Memory

Compaq Professional Workstation AP550 (512 MB)

STANDARD MEMORY

512-MB of 800-MHz ECC RDRAM is standard. Memory must be installed in like pairs.

STANDARD MEMORY PLUS OPTIONAL MEMORY

Support for up to 2 GB of 800-MHz ECC RDRAM is available with the installation of optional ECC RDRAM Kits. Memory must be installed in like pairs.

Note: This chart does not represent all possible memory configurations. Memory must be installed in like pairs. Option kits contain one memory module. Mixing 600-MHz and 800-MHz RDRAM will cause the system to operate at the lower speed.

Memory		Memory Channel A		Memory Channel B	
		XMM1	XMM2	XMM3	XMM4
Standard	512 MB	256 MB	CRIMM	256 MB	CRIMM
Optional	1 GB	256 MB	256 MB	256 MB	256 MB
Optional	2 GB	512 MB	512 MB	512 MB	512 MB

Following are memory options available from Compaq:

- 512-MB Memory Kit (RDRAM RIMM, 800 MHz) 103996-B21
- 256-MB Memory Kit (RDRAM RIMM, 800 MHz) 157341-B21
- 128-MB Memory Kit (RDRAM RIMM, 800 MHz) 157338-B21
- 64-MB Memory Kit (RDRAM RIMM, 800 MHz) 157335-B21

Memory

Compaq Professional Workstation AP550 (1 GB)

STANDARD MEMORY

1 GB of 800-MHz ECC RDRAM is standard.

STANDARD MEMORY PLUS OPTIONAL MEMORY

Support for up to 2 GB of ECC RDRAM. Memory must be installed in like pairs.

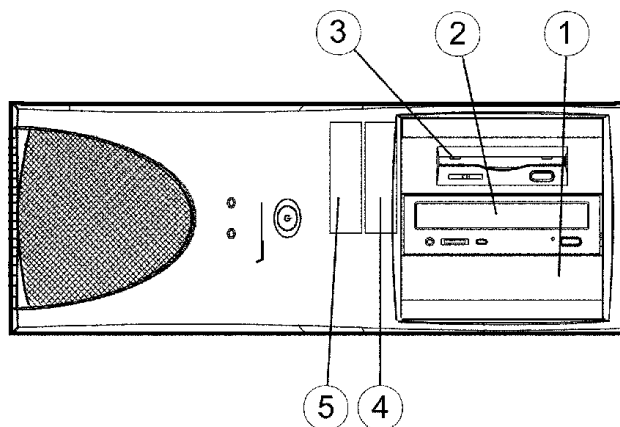
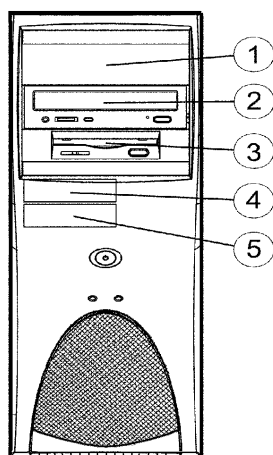
Note: This chart does not represent all possible memory configurations. Memory must be installed in like pairs. Option kits contain one memory module. Mixing 600-MHz and 800-MHz RDRAM will cause the system to operate at the lower speed.

Memory		Memory Channel A		Memory Channel B	
		XMM1	XMM2	XMM3	XMM4
Standard	1 GB	256 MB	256 MB	256 MB	256 MB
Optional	2 GB	512 MB	512 MB	512 MB	512 MB

Following are memory options available from Compaq:

- 512-MB Memory Kit (RDRAM RIMM, 800 MHz) 103996-B21
- 256-MB Memory Kit (RDRAM RIMM, 800 MHz) 157341-B21
- 128-MB Memory Kit (RDRAM RIMM, 800 MHz) 157338-B21
- 64-MB Memory Kit (RDRAM RIMM, 800 MHz) 157335-B21

Storage



DRIVE SUPPORT

	Quantity Supported	Position Supported	Controller
Removable Media			
1.44-MB Diskette Drive	Up to 1	1, 2, 3	Integrated
CD-ROM Drive	Up to 1	1, 2	Integrated EIDE
100-MB ATAPI ZIP Drive	Up to 1	1, 2	Integrated EIDE
250-MB ATAPI ZIP Drive	Up to 1	1, 2	Integrated EIDE
10X/40X DVD-ROM Drive	Up to 1	1, 2	Integrated EIDE
8X/4X/32X CD-RW Drive	Up to 1	1, 2	Integrated EIDE
4.7-GB DVD-RAM Drive	Up to 1	1, 2	Integrated EIDE

Hard Drives

Ultra3 (Ultra 160) SCSI Drives

1.6-inch			Ultra3 (Ultra160) SCSI Controller, Adaptec 2100S
72-GB 10,000 rpm	Up to 2	1, 2	
1-inch			
36.4-GB 10,000 rpm	Up to 3	1, 2, 3, 4, 5	
18.2-GB 15,000 rpm			
18.2-GB 10,000 rpm			
9.1-GB 10,000 rpm			

Ultra ATA Drives

1-inch	Up to 3	1, 2, 3, 4, 5	Integrated EIDE
20-GB 7200 rpm			
30-GB 7200 rpm			
40-GB 7200 rpm			

Maximum Storage Capacity

Internal	144 GB (assumes two removable media drives installed)
----------	---

Tape Drives

TR5 10/20 Tape Drive	Up to 1	1, 2	Integrated EIDE
AIT 35/70-GB Internal Tape Drive	Up to 1	1, 2	SCSI
20/40-GB DAT Drive	Up to 1	1, 2	SCSI

Technical Specifications

System Unit	Tower Dimensions (HxWxD)	17.65 x 6.6 x 17.11 in/44.83 x 16.76 x 43.46 cm		
	Weight (standard configuration)	26 lbs/12 kg		
	Power Supply	Operating Voltage Range	90 VAC to 264 VAC	
		Rated Voltage Range	100 VAC to 120 VAC; 200 VAC to 240 VAC	
		Rated Line Frequency	50 Hz to 60 Hz	
		Rated Input Current	8A @ 115 VAC; 4A @ 230 VAC	
		Maximum Rated Power	375-Watt output; 650-Watt input	
		Physical Dimensions	5.9 x 3.85 x 6.3 in/15 x 9.8 x 16 cm	
		Weight	4.5 lbs/2.05 kg	
	Temperature (Values are subject to change)	Operating	50° to 95°F/10° to 35°C	
		Non-operating	4° to 140°F/-15° to 60°C	
	Humidity (non-condensing) (Values are subject to change)	Operating	20% to 80%	
		Non-operating	10% to 90%	
Maximum Altitude (unpressurized)	Operating	10,000 ft/3,048 m		
	Non-operating	30,000 ft/9,144 m		
Enhanced Keyboard	Dimensions (HxWxD)	1.3 x 6.4 x 18.3 in/3.3 x 16.26 x 46.48 cm		
	Weight	3 lbs/1.4 kg		
	Cable Length	8 ft/2.4 m		
1.44-MB Diskette Drive	Diskette Size	3.5 in		
	LED Indicators (front panel)	Green		
	Read/Write Capacity per Diskette (high/low)	1.44 MB/720 KB		
	Drive Height	One-third		
	Drive Rotation	300 rpm		
	Transfer Rate (high/low)	500/250 Kb/s		
	Bytes/Sector	512		
	Sectors/Track (high/low)	18/9		
	Tracks/Side (high/low)	80/80		
	Access Times	Track-to-Track (high/low)	3/6 ms	
		Average (high/low)	94/173 ms	
		Settling Time	15 ms	
		Latency Average	100 ms	
	Cylinders (high/low)	80/80		
Read/Write Heads	Two			

Technical Specifications

Ultra3 (Ultra160) SCSI Hard Drives	72 GB	Capacity	72,000 MB	
	201735-B21	Height	1.6 in/40.64 mm	
		Width	3.5 in/88.9 mm	
		Interface	Ultra3 (Ultra160) SCSI	
		Synchronous Transfer Rate (Maximum)	160 MB/s	
		Seek Time (typical reads, including settling)	Single Track	0.6 ms
			Average	5.2 ms
			Full-Stroke	12 ms
			Rotational Speed	10,000 rpm
		Logical Blocks	142,264,000	
	Operating Temperature	50° to 95°F/10° to 35°C		
	36.4 GB	Capacity	36,400 MB	
	191189-B21	Height	1.0 in/25.4 mm	
		Width	3.5 in/88.9 mm	
		Interface	Ultra3 (Ultra160) SCSI	
		Synchronous Transfer Rate (Maximum)	160 MB/s	
	Seek Time (typical reads, including settling)	Single Track	0.6 ms	
		Average	4.7 ms	
		Full-Stroke	12 ms	
		Rotational Speed	10,000 rpm	
	Logical Blocks	71,132,000		
	Operating Temperature	50° to 95°F/10° to 35°C		
	18.2 GB	Capacity	18,209 MB	
	191188-B21	Height	1 in/25.4 mm	
		Width	3.5 in/88.9 mm	
		Interface	Ultra3 (Ultra160) SCSI	
		Synchronous Transfer Rate (Maximum)	160 MB/s	
	Seek Time (typical reads, including settling)	Single Track	0.8 ms	
		Average	4.1 ms	
		Full-Stroke	7.7 ms	
		Rotational Speed	15,000 rpm	
	Logical Blocks	35,566,000		
	Operating Temperature	50° to 95°F/10° to 35°C		
	18.2 GB	Capacity	18,209 MB	
	159764-B21	Height	1 in/25.4 mm	
		Width	3.5 in/88.9 mm	
		Interface	Ultra3 (Ultra160) SCSI	
		Synchronous Transfer Rate (Maximum)	160 MB/s	
	Seek Time (typical reads, including settling)	Single Track	0.6 ms	
		Average	4.7 ms	
		Full-Stroke	12 ms	
		Rotational Speed	10,000 rpm	
	Logical Blocks	35,566,000		
	Operating Temperature	50° to 95°F/10° to 35°C		

Technical Specifications

Ultra3 (Ultra160) SCSI Hard Drives <i>(continued)</i>	9.1 GB	Capacity	9,100 MB	
	159763-B21	Height	1 in/25.4 mm	
		Width	3.5 in/88.9 mm	
		Interface	Ultra3 (Ultra160) SCSI	
		Synchronous Transfer Rate (Maximum)	160 MB/s	
		Seek Time (typical reads, including settling)	Single Track	0.6 ms
			Average	4.7 ms
			Full-Stroke	12 ms
			Rotational Speed	10,000 rpm
		Logical Blocks	17,773,500	
	Operating Temperature	50° to 95°F/10° to 35°C		
Ultra ATA Hard Drives	40 GB	Capacity	40,000 MB	
	201066-B21	Height	1 in/25.4 mm	
		Width	3.5 in/88.9 mm	
		Interface	Ultra ATA	
		Synchronous Transfer Rate (Maximum)	66.6 MB/s	
		Seek Time (typical reads, including settling)	Single Track	1.2 ms (2.7 ms quiet seek)
			Average	8 ms (10.1 ms quiet seek)
			Full-Stroke	18.0 ms (21.1 ms quiet seek)
			Rotational Speed	7200 rpm
		Logical Blocks	78,165,360	
	Operating Temperature	41° to 131°F/5° to 55°C		
	30 GB	Capacity	30,000 MB	
	178252-B21	Height	1 in/25.4 mm	
		Width	3.5 in/88.9 mm	
		Interface	Ultra ATA	
		Synchronous Transfer Rate (Maximum)	66.6 MB/s	
		Seek Time (typical reads, including settling)	Single Track	1.2 ms (2.7 ms quiet seek)
			Average	8 ms (10.1 ms quiet seek)
			Full-Stroke	18.0 ms (21.1 ms quiet seek)
			Rotational Speed	7200 rpm
		Logical Blocks	58,633,334	
	Operating Temperature	41° to 131°F/5° to 55°C		
	20 GB	Capacity	20,000 MB	
	176272-B21 <i>(outside EMEA)</i>	Height	1 in/25.4 mm	
		Width	3.5 in/88.9 mm	
		Interface	Ultra ATA	
	176275-B21 <i>(EMEA only)</i>	Synchronous Transfer Rate (Maximum)	66.6 MB/s	
		Seek Time (typical reads, including settling)	Single Track	1.2 ms (2.7 ms quiet seek)
			Average	8 ms (10.1 ms quiet seek)
			Full-Stroke	18.0 ms (21.1 ms quiet seek)
			Rotational Speed	7200 rpm
		Logical Blocks	39,102,336	
	Operating Temperature	41° to 131°F/5° to 55°C		

Technical Specifications

40X CD-ROM Drive	Disk	Applicable Disk	CD-ROM (Mode 1 and 2), CD-DA, CD-R/W, Photo CD (Single and Multi-session), Mixed Mode (Audio and Data combined), CDI Ready, CD-XA Ready	
		Capacity	540 MB (Mode 1, 12 cm) 650 MB (Mode 2, 12 cm)	
		Rotational Speed	8,750 maximum	
		Diameter	4.7 in, 3.15 in/12 cm, 8 cm	
		Center Hole	0.6 in/15 mm diameter	
		Thickness	0.05 in/1.2 mm	
		Track Pitch	1.6 μ m	
		Block Size	Mode 1	2,048 bytes
			Mode 2	2,340, 2,336 bytes
			CD-DA	2,352 bytes
		CD-XA	2,328 bytes	
	Interface	IDE		
	Access Times (typical)	Random	< 100 ms	
		Full-Stroke	< 150 ms	
	Audio Output Level	Line-Out	0.7 VRMS	
	Data Transfer Rate	Sustained	150 KB/s (1X, using audio disc)	
		Variable	2,550 to 6,000 KB/s (17X to 40X with 650 MB disc)	
	Cache Buffer	128 KB minimum		
	Start-up Time (typical)	< 7 s		
	Stop Time	< 4 s		
	Operating Conditions	Temperature	41° to 113°F/5° to 45°C	
		Humidity	10% to 80%	
	Dimensions	(HxWxD, maximum)	1.7 x 5.9 x 8.19 in/4.29 x 15 x 20.8 cm	
		Weight	2.65 lbs/1.2 kg	

Technical Specifications

48X CD-ROM Drive	Disk	Applicable Disk	CD-ROM (Mode 1 and 2), CD-R/W, CD-R Photo CD (Single and Multi-session), Mixed Mode (Audio and Data combined), CDI Ready, CD-XA Ready, CD TEXT, CD EXTRA	
		Capacity	540 MB (Mode 1, 12 cm) 650 MB (Mode 2, 12 cm)	
		Rotational Speed	8750 maximum	
		Diameter	4.7 in, 3.15 in/12 cm, 8 cm	
		Center Hole	0.6 in/15 mm diameter	
		Thickness	0.05 in/1.2 mm	
		Track Pitch	1.6 μ m	
		Block Size	Mode 1	2,048 bytes
			Mode 2	2,340, 2,336 bytes
		CD-DA	2,352 bytes	
		CD-XA	2,328 bytes	
	Interface	IDE		
	Access Times (typical)	Random	< 100 ms	
		Full-Stroke	< 150 ms	
	Audio Output Level	Line-Out	0.7 VRMS	
	Data Transfer Rate	Sustained	150 KB/s (1X, using audio disc)	
		Variable	3,000 to 7,200 KB/s	
	Cache Buffer	128 KB minimum		
	Start-up Time (typical)	< 7 s		
	Stop Time	< 4 s		
	Operating Conditions	Temperature	41° to 113°F/5° to 45°C	
		Humidity	10% to 80%	
	Dimensions	(HxWxD, maximum)	1.7 x 5.9 x 8.19 in/4.29 x 15 x 20.8 cm	
		Weight	2.65 lbs/1.2 kg	

Technical Specifications

10X/40X DVD-ROM Drive	Disk	Applicable Disk	DVD-ROM, DVD-video, DVD-R, Photo-CD/multisession, CD-ROM, CD-TEXT, Audio CD, CD-I, CD-RW, CD-R, CD-DA, Video CD, CD EXTRA, CD-XA, MPEG, MPC Level 2	
		Capacity	540 MB (Mode 1, 12 cm) 650 MB (Mode 2, 12 cm)	
		Rotational Speed	8,750 maximum	
		Diameter	4.7 in, 3.15 in/12 cm, 8 cm	
		Center Hole	0.6 in/15 mm diameter	
		Thickness	0.05 in/1.2 mm	
		Track Pitch	1.6 μ m CD-ROM 0.74 μ m DVD	
		Block Size	Mode 0	2,352 bytes
			Mode 1	2,352, 2,340, 2,336, 2,048 bytes
			Mode 2	2,352, 2,340, 2,336, 2,048 bytes
		DVD	2048 bytes	
	Interface	IDE		
	Access Times (typical)	Random	110 ms DVD; 80 ms CD-ROM	
		Full-Stroke	240 ms DVD; 160 ms CD-ROM	
	Audio Output Level	Line-Out	0.7 VRMS	
	Data Transfer Rate	Variable	5.6 MB/s to 13.5 MB/s DVD, 2.55 MB/s to 6 MB/s CD-ROM	
	Cache Buffer		512 KB	
	Start-up Time (typical)		3 s DVD, 5 s CD-ROM	
	Stop Time		3 s DVD, 5 s CD-ROM	
	Operating Conditions	Temperature	41° to 113°F/5° to 45°C	
		Humidity	5% to 85%	
	Dimensions	(HxWxD, maximum)	1.7 x 5.9 x 8.18 in/4.29 x 15 x 20.8 cm	
		Weight	2.22 lbs/1 kg	

Technical Specifications

Compaq Premier•Sound featuring AC'97 Audio	Type	Embedded AC'97 2.1 Codec	
	Sound Quality	16-Bit Stereo Full-Duplex (CD Quality)	
	Sampling	Variable 7 kHz to 48 kHz	
	Audio Compression/Decompression	ESPCM and ADPCM compression	
	Full Scale Input Voltage (RMS)	Microphone Input	100 mVolts
		Line Input	2.2 Volts
	Full Scale Output Voltage (RMS)	Line Output	1.4 Volts
	Impedance (nominal)	Line Output	800 ohms (typical)
		Line Input	10 Kohms (typical)
	Playback (PC-D-A)	Dynamic Range	-91 dB (typical)
		Total Harmonic Distortion + Noise	-69 dB (typical)
		Frequency Response (-3 dB)	20 Hz to 20 kHz
	Line Output Crosstalk (10 kHz)	-74 dB	
	Headphone Maximum Output (1 kHz)	60 mWrms into 32 ohms (THD+N < 1%)	
Internal Power Amplifier Rating	Nominal: 1.5 Watts RMS @ 8 ohms Maximum: 5 Watts RMS @ 8 ohms		
Speaker	Frequency Response	200 Hz to 15 kHz	
	Equalizer	5 stages of fixed equalization	
	Design	High-performance, infinite baffle loudspeaker	
Connectors	Line-in, line-out, microphone-in, headphone-out		
Operating System Driver Support	Windows NT 4.0, Windows 98, Windows 2000		

Technical Specifications

Intel PRO/100+ Management Adapter	Network Interface	10Base-T or 100Base-TX		
	Expansion Bus Architecture	PCI 2.2		
	Network Transfer Rate	10Base-T (Half-Duplex)	10 Mb/s	
		10Base-T (Full-Duplex)	20 Mb/s	
		100Base-TX (Half-Duplex)	100 Mb/s	
		100Base-TX (Full-Duplex)	200 Mb/s	
	Connectors	RJ-45		
	Standards Compliance	10-Mb/s Ethernet	IEEE 802.3	
		100-Mb/s Ethernet	IEEE 802.3u	
	I/O Address	Auto-configured		
	Remote Wakeup	Yes		
	Operating Temperature	0° to 55°F/10° to 35°C		
	Operating Humidity (non-condensing)	85% at 131°F/55°C		
	Operating Altitude	10,000 ft/3,048 m		
	Communication Processor	Intel 82559		
OS Driver Support	Windows NT 4.0	NDIS 3.0, 4.0 Compliant		
	Windows 98, 2000	NDIS 3.0, 4.0, 5.0 Compliant		
	Novell NetWare Server v. 3.x, 4.x and 5.0	ODI Compliant		
	SunSoft Solaris™	Not supported		
	SCO UnixWare, OpenDesktop, OpenServer	Supported		

Technical Specifications

Compaq NVIDIA TNT2 Pro Graphics Controller	Form Factor	1/2 size ATX
	Bus Type	AGP 4X/2X with full sideband support
	Memory Support	16-MB SGRAM (frame buffer), 166 MHz
	RAMDAC	300 MHz
	Data Path	128-bit
	Process	0.25u
	Internal Clock	142 MHz
	Memory Clock	166 MHz
	Pipelines	2 (bilinear)
	Fill Rate	333 M pix/s
	Triangle Rate	8 M Tri/s
	Video Overlay Filter	2 x 2
	Color Space Conversion	Yes
	Scaling	Yes
	Feature Connector	VIP connector
	Quick Draw Support	Yes
	DCI & DirectX Video Playback	Yes
	MS Direct X Support	Yes
	3D Support	Yes
	Engine Acceleration	Basic Video Color Conversion and Scaling 100% Hardware Triangle Setup Engine
	OS Support	Windows 98, Windows 2000, Windows NT 4.0
	Other	Optimized for Direct3D acceleration with support for DirectX 5.0 and 6.0 128-bit Twin-Textel (TNT) architecture 2 texture mapped, lit pixels per clock Single-pass, multi-texture rendering 32-bit rendering with destination alpha 24-bit Z-buffer, 8-bit stencil buffer Anisotropic filtering (better than Tri-Linear MIP-mapping) High-performance 128-bit 2D/GUI/DirectDraw Acceleration. Transparent BLT, stretch BLT, points, lines, polylines, polygons, fills, patterns, arbitrary clipping and fast text rendering; pipe-line optimized for multiple color depths including 8, 16, and 24 bits per pixel Video acceleration for DirectShow™, MPEG-1, MPEG-2 and Indeo® Fast 32-bit VGA/SVGA 128-bit frame buffer interface - 2.6 Gb/s bandwidth Triple 8-bit , 250-MHz Palette DAC Bi-directional Media Port and CCIR-656 Video Capture Port (for AIB only)

Technical Specifications

Compaq NVIDIA TNT2 Pro Graphics Controller (<i>continued</i>)	Resolutions Supported	Colors	Real-Time 3D Gouraud Shading	Refresh Rates
	1800 x 1440	256, 65K, 16.7M	65K	60 to 70 Hz (vertical sync), 89 to 104 kHz (horizontal sync)
	1920 x 1200	256, 65K, 16.7M	256, 65K	60 to 76 Hz (vertical sync), 75 to 95 kHz (horizontal sync)
	1920 x 1080	256, 65K, 16.7M	256	60 to 80 Hz (vertical sync), 70 to 94 kHz (horizontal sync)
	1600 x 1200	256, 65K, 16.7M	256	60 to 90 Hz (vertical sync), 75 to 113 kHz (horizontal sync)
	1280 x 1024	256, 65K, 16.7M	256, 65K	60 to 100 Hz (vertical sync), 64 to 107 kHz (horizontal sync)
	1152 x 864	256, 65K, 16.7M	256, 65K	60 to 120 Hz (vertical sync), 54 to 110 kHz (horizontal sync)
	1024 x 768	256, 65K, 16.7M	256, 65K, 16.7M	60 to 140 Hz (vertical sync), 48 to 113 kHz (horizontal sync)
	800 x 600	256, 65K, 16.7M	256, 65K, 16.7M	60 to 200 Hz (vertical sync), 38 to 114 kHz (horizontal sync)
	640 x 480	256, 65K, 16.7M	256, 65K, 16.7M	60 to 200 Hz (vertical sync), 31 to 102 kHz (horizontal sync)

Technical Specifications

NVIDIA Quadro2 Pro Graphics Controller	3D/2D Controller	Integrated Quadro2 Pro 2D/3D 128-bit graphics processor unit (GPU)		
	VGA Controller	Integrated into the Quadro2 Pro GPU		
	Bus type	AGP4x		
	RAMDAC	350 MHz		
	Memory type	400 MHz 4Mx16DDR-5ns		
	Memory amount	64 MB		
	Memory Speed	400 MHz (DDR)		
	Controller clock speed	250 MHz		
	Color planes	32-bit color buffer		
	Overlay planes	1 16-bit Video overlay plane, software emulation for OpenGL overlay planes		
	Stencil planes	8-bit stencil buffer		
	Alpha planes	8-bit alpha buffer		
	Z-buffer	24-bit		
	Total bits/pixel	64		
	Maximum vertical refresh rate	240 Hz		
	Maximum pixel clock	350 MHz		
	Multi-display support	No		
	Operating systems	Microsoft Windows 2000, Windows NT 4.0 available from Compaq		
	Resolution	Maximum Colors Supported	Maximum Refresh Rate	Memory Dedicated to Texture Support
	640 x 480	16.7 M	240 Hz	60.4 MB
800 x 600	16.7 M	240 Hz	58.4 MB	
1024 x 768	16.7 M	240 Hz	54.8 MB	
1152 x 864	16.7 M	200 Hz	52.3 MB	
1280 x 1024	16.7 M	150 Hz	48.6 MB	
1600 x 1000	64 K	120 Hz	54.6 MB	
1600 x 1000	16.7 M	120 Hz	45.3 MB	
1600 x 1200	64 K	100 Hz	52.8 MB	
1600 x 1200	16.7 M	100 Hz	41.5 MB	
1600 x 1280	64 K	100 Hz	52 MB	
1600 x 1280	16.7 M	100 Hz	40 MB	
1920 x 1080	64 K	85 Hz	51.9 MB	
1920 x 1080	16.7 M	85 Hz	39.7 MB	
1920 x 1200	64 K	85 Hz	50.5 MB	
1920 x 1200	16.7 M	85 Hz	37 MB	

Technical Specifications

Matrox Millennium G450 Graphics Controllers	Form Factor	ATX																									
	Bus Type	AGP 1X, 2X, 4X: PCI rev 2.2 bus specification																									
	Standard Memory	AGP: 32 MB / PCI: 16 MB																									
	DAC Speed	360 MHz (secondary DAC: 200 MHz)																									
	Data Path	64-bit DDR External/256-bit Internal																									
	Internal Bus Width	256-bit DualBus																									
	Memory Interface	64-bit DDR Memory																									
	Frame Buffer	AGP: 32 MB / PCI: 16 MB																									
	Two Integrated RAMDACs	Yes																									
	Engine Acceleration	3 ROP bitBLT, line draw, text, color expansion, basic video color conversion and scaling, triangle setup engine																									
	Output	Analog, 2 ports																									
	OS Support	Microsoft Windows 2000, Windows 98 and Windows NT 4.0 available from Compaq.																									
	Other	PCI bus mastering, texture mapping support, flat and Gouraud shading, direct 3D support, Anisotropic Filter, perspective texture, specular highlighting, wireframe, dithering, full scene anti-aliasing, vertex fog, dual texture mapping, Plug-and-Play AGP 2X and AGP 4X, 0.18-micron technology (lower heat/power consumption), high-quality DVD playback with full access to Windows, Color Space Conversion, Quick Draw support, DCI and DirectX video playback, MS DirectDraw support																									
	3D Features	<table border="0"> <tr> <td>Single-cycle multi-texturing</td> <td>Yes</td> </tr> <tr> <td>Environment-Mapped Bump Mapping</td> <td>Yes</td> </tr> <tr> <td>Internal Rendering</td> <td>32-bit</td> </tr> <tr> <td>Source Textures</td> <td>Up to 32-bit</td> </tr> <tr> <td>Maximum Texture Size</td> <td>2048 X 2048</td> </tr> <tr> <td>Hardware non-power-of- 2 textures</td> <td>Yes</td> </tr> <tr> <td>32-bit Color Output</td> <td>Yes</td> </tr> <tr> <td>32-bit Independent Z-buffer</td> <td>Yes</td> </tr> <tr> <td>Stencil Buffering</td> <td>Yes</td> </tr> <tr> <td>AGP Texturing</td> <td>Yes</td> </tr> <tr> <td>Trilinear Filtering</td> <td>Yes</td> </tr> <tr> <td>DirectX Support</td> <td>Yes</td> </tr> <tr> <td>OpenGL Support</td> <td>Yes</td> </tr> </table>	Single-cycle multi-texturing	Yes	Environment-Mapped Bump Mapping	Yes	Internal Rendering	32-bit	Source Textures	Up to 32-bit	Maximum Texture Size	2048 X 2048	Hardware non-power-of- 2 textures	Yes	32-bit Color Output	Yes	32-bit Independent Z-buffer	Yes	Stencil Buffering	Yes	AGP Texturing	Yes	Trilinear Filtering	Yes	DirectX Support	Yes	OpenGL Support
Single-cycle multi-texturing	Yes																										
Environment-Mapped Bump Mapping	Yes																										
Internal Rendering	32-bit																										
Source Textures	Up to 32-bit																										
Maximum Texture Size	2048 X 2048																										
Hardware non-power-of- 2 textures	Yes																										
32-bit Color Output	Yes																										
32-bit Independent Z-buffer	Yes																										
Stencil Buffering	Yes																										
AGP Texturing	Yes																										
Trilinear Filtering	Yes																										
DirectX Support	Yes																										
OpenGL Support	Yes																										
DualHead Display Features	Multi-Display Mode, DVD Max Mode, DualHead Zoom Mode, DualHead Clone Mode, DualHead TV Output Mode, Single Chip Multi-Monitor Support																										

Technical Specifications

Matrox Millennium G450 Graphics Controllers (continued)

Supported Modes

This list assumes setup to be DualHead multi-display running Microsoft Windows 98. If using Windows NT 4.0 or Windows 2000 while in multi-display, primary CRT is limited to modes supported by 2nd CRT.

<i>Primary CRT Color Depths</i>	<i>Color Depths (bpp)</i>	<i>Refresh Rates</i>
640 x 480	8, 16, 24, 32	60 Hz, 72 Hz, 75 Hz, 85 Hz
800 x 600	8, 16, 24, 32	60 Hz, 72 Hz, 75 Hz, 85 Hz
1024 x 768	8, 16, 24, 32	60 Hz, 70 Hz, 75 Hz, 85 Hz
1152 x 864	8, 16, 24, 32	75 Hz
1280 x 960	8, 16, 24, 32	60 Hz, 75 Hz, 85 Hz
1280 x 1024	8, 16, 24, 32	60 Hz, 75 Hz, 85 Hz
1600 x 1200	8, 16, 24, 32	60 Hz, 65 Hz, 70 Hz, 75 Hz, 85 Hz
1800 x 1440	8, 16, 24	60 Hz, 72 Hz, 75 Hz, 85 Hz
1856 x 1392	8, 16, 24	60 Hz, 75 Hz, 85 Hz
1920 x 1440	8, 16, 24	60 Hz, 75 Hz, 85 Hz
2048 X 768	8, 16	60 Hz, 75 Hz
<i>Secondary CRT Color Depths</i>	<i>Color Depths (bpp)</i>	<i>Refresh Rates</i>
640 x 480	16, 32	60 Hz, 72 Hz, 75 Hz, 85 Hz
800 x 600	16, 32	60 Hz, 72 Hz, 75 Hz, 85 Hz
1024 x 768	16, 32	60 Hz, 70 Hz, 75 Hz, 85 Hz
1152 x 864	16, 32	75 Hz
1280 x 960	16, 32	60 Hz, 75 Hz, 85 Hz
1280 x 1024	16, 32	60 Hz, 75 Hz, 85 Hz
1600 x 1200	16, 32	60 Hz, 65 Hz, 70 Hz, 75 Hz, 85 Hz

Technical Specifications

Matrox G200 Quad Multi-Monitor Series (MMS) Graphics Controller	Dimensions (HxW)	4.5x8 in/11.43x20.32 cm		
	Refresh Rate (per display)			
	Aspect Ratio	Resolution	Vertical	Horizontal
	4:3/5:4	640 x 480	60 to 200 Hz	31 to 102 kHz
		800 x 600	60 to 200 Hz	38 to 114 kHz
		1024 x 768	60 to 140 Hz	48 to 113 kHz
		1152 x 864	60 to 120 Hz	54 to 110 kHz
		1280 x 1024	60 to 100 Hz	64 to 107 kHz
	16:9/16:10	1600 x 1200	60 to 90 Hz	75 to 113 kHz
		1800 x 1440	60 to 70 Hz	89 to 104 kHz
856 x 480		60 to 200 Hz	30 to 108 kHz	
1280 x 720		60 to 100 Hz	44 to 76 kHz	
1600 x 1024		60 to 100 Hz	64 to 108 kHz	
	1920 x 1080	60 to 80 Hz	70 to 94 kHz	
	1920 x 1200	60 to 76 Hz	75 to 95 kHz	
With DVI digital flat panel displays, the maximum display resolution is 1280 x 1024.				
Maximum refresh rates may not be attainable at the highest display resolutions with 24 or 32-bit color palettes.				
Interface	PCI			
Standard Memory	32-MB SGRAM (8 MB per port)			
DAC Speed	250 MHz			
Data Path	128-bit Internal/64-bit External			
Color Space Conversion	Yes			
Scaling	Yes			
Quick Draw Support	Yes			
DCI & DirectX Video Playback	Yes			
Direct3D Support	Yes			
Engine Acceleration	3 ROP bitBLT, Line Draw, Text, Color Expansion, Basic Video Color Conversion and Scaling, Triangle Setup Engine			
Output	Two output ports, which require 2 adapter cables to connect analog or digital output displays			
	Analog Display Support	2 RGB cables support two DB-15 analog displays per cable		
	DVI (Digital Visual Interface) Display Support	DVI cable option kit provides two DVI cables for connecting two DVI compliant displays per cable		
	Display options supported	Four analog displays via two RGB cables Four DVI displays via two DVI cables Two analog displays via one RGB cable and two DVI displays via one DVI cable		
Other	PCI bus-mastering, texture mapping support, flat and Gouraud shading, Anisotropic Filter, perspective texture, specular highlighting, dithering, full scene anti-aliasing, Vertex fog			
OS Support	Windows 2000 (not available for Chinese, Taiwanese, or Korean languages) and Windows NT 4.0			

Technical Specifications

ELSA Synergy II Graphics Controller	Dimensions (HxW)	3.25 x 6.25 in/8.3 x 15.9 cm		
	Resolution	Maximum Colors Supported	Maximum Refresh Rate	Memory Dedicated to Texture Support
	640 x 480	16.7M	120 Hz	29.1 MB
	800 x 600	16.7M	120 Hz	27.1 MB
	1024 x 768	16.7M	120 Hz	23.5 MB
	1152 x 864	16.7M	120 Hz	21.1 MB
	1280 x 1024	16.7M	120 Hz	17.9 MB
	1600 x 1000	16.7M	75 Hz	14 MB
	1600 x 1000	65K	85 Hz	14 MB
	1600 x 1200	16.7M	75 Hz	10.2 MB
	1600 x 1200	65K	85 Hz	10.2 MB
	1600 x 1280	16.7M	75 Hz	8.7 MB
	1600 x 1280	65K	85 Hz	8.7 MB
	1920 x 1080	16.7M	75 Hz	8.4 MB
	1920 x 1080	65K	85 Hz	8.4 MB
	1920 x 1200	16.7M	75 Hz	5.7 MB
	1920 x 1200	65K	75 Hz	5.7 MB
3D/2D Controller	Nvidia TNT 2			
VGA Controller	Integrated			
Bus Type	AGP 2X/4X			
RAMDAC	Integrated 300 MHz			
Memory Type	SDRAM			
Memory Amount	32 MB (Maximum)			
Memory Speed	143 MHz			
Controller Clock Speed	125 MHz			
Color Planes	24 bits double buffered			
Overlay Planes	0			
Stencil Planes	8 bit			
Alpha Planes	0			
Z-buffer	24 bit			
Total bits/pixel	96			
Maximum Vertical Refresh Rate	120 Hz			
Maximum Pixel Clock	300 MHz			
Multi-display Support	No			
Operating Systems	Windows 2000, Windows NT 4.0, Windows 98			

Note: All drivers and enhanced software, including *POWERdraft*, *ELSAview*, and *MAXtreme*, can be found on the Compaq Web site at: www.compaq.com/support/files/workstations/us/index.html.

Technical Specifications

NVIDIA Quadro2 MXR Graphics Controller	Dimensions (LxHxW)	Approximately 6.5 x 3.8 x 0.6 in/16.51 x 9.65 x 1.52 cm		
	Resolution	Maximum Colors Supported	Maximum Refresh Rate	Memory Dedicated to Texture Support
	640 x 480	16.7 M	240 Hz	28.4 MB
	800 x 600	16.7 M	240 Hz	26.4 MB
	1024 x 768	16.7 M	200 Hz	22.8 MB
	1152 x 864	16.7 M	170 Hz	20.3 MB
	1280 x 1024	16.7 M	150 Hz	16.6 MB
	1600 x 1000	64 K	120 Hz	22.6 MB
	1600 x 1000	16.7 M	120 Hz	13.3 MB
	1600 x 1200	64 K	100 Hz	20.8 MB
	1600 x 1200	16.7 M	100 Hz	9.5 MB
	1600 x 1280	64 K	100 Hz	20 MB
	1600 x 1280	16.7 M	100 Hz	8 MB
	1920 x 1080	64 K	85 Hz	19.9 MB
	1920 x 1080	16.7 M	85 Hz	7.7 MB
	1920 x 1200	64 K	85 Hz	18.5 MB
	1920 x 1200	16.7 M	85 Hz	5 MB
3D/2D Controller	Integrated Quadro2 MXR 2D/3D 128-bit graphics processor unit (GPU)			
VGA Controller	Integrated into the Quadro2 MXR GPU			
Bus Type	AGP 2X, 4X Graphics Bus			
RAMDAC	350 MHz			
Memory Type	183 MHz SDR 2Mx32			
Memory Amount	32 MB			
Memory Speed	183 MHz			
Controller Clock Speed	200 MHz			
Color Planes	32-bit color buffer			
Overlay Planes	1 16-bit Video overlay plane, software emulation for OpenGL overlay planes			
Stencil Planes	8-bit stencil buffer			
Alpha Planes	8-bit alpha buffer			
Z-buffer	24-bit Z buffer			
Total bits/pixel	64-bits			
Maximum Vertical Refresh Rate	240 Hz			
Maximum Pixel Clock	350 MHz			
Multi-display support	Yes			
Operating Systems	Microsoft® Windows® 2000, Windows NT 4.0 available from Compaq			

Technical Specifications

ELSA GLoria II Graphics Controller	Dimensions (H x W)	3.25 x 6.25 in/8.3 x 15.9 cm		
	Resolution	Maximum Colors Supported	Maximum Refresh Rate	Memory Dedicated to Texture Support
	640 x 480	16.7M	120 Hz	60 MB
	800 x 600	16.7M	120 Hz	58 MB
	1024 x 768	16.7M	120 Hz	54 MB
	1152 x 864	16.7M	100 Hz	52 MB
	1280 x 800	16.7M	100 Hz	52 MB
	1280 x 960	16.7M	100 Hz	49 MB
	1280 x 1024	16.7M	100 Hz	48 MB
	1600 x 1000	16.7M	100 Hz*	45 MB
	1600 x 1000	16.7M	85 Hz	45 MB
	1600 x 1200	16.7M	85 Hz	41 MB
	1600 x 1280	16.7M	85 Hz*	40 MB
	1600 x 1280	16.7M	75 Hz	40 MB
	1920 x 1080	16.7M	85 Hz*	39 MB
	1920 x 1080	16.7M	75 Hz	39 MB
	1920 x 1200	16.7M	85 Hz*	37 MB
	1920 x 1200	16.7M	75 Hz	37 MB
	2048 x 1536	16.7M	75 Hz*	27 MB
*Refresh rate may function but may not officially be supported by Compaq monitors.				
3D/ Controller	NVIDIA Quadro			
VGA Controller	Integrated			
Bus Type	AGP 2X/4X			
RAMDAC	Integrated 350 MHz			
Memory Type	SDRAM			
Memory Amount	64 MB (unified)			
Memory Speed	166 MHz			
Controller Clock Speed	135 MHz			
Color Planes	24-bit double buffered			
Overlay Planes	8-bit double buffered			
Stencil Planes	8 bit			
Alpha Planes	8-bit double buffered			
Z-buffer	24 bit			
Total bits/pixel	112			
Maximum Vertical Refresh Rate	132 Hz			
Maximum Pixel Clock	350 MHz			
Multi-display support	No			
Stereo support	Yes			
Operating Systems	Windows 2000/Windows NT 4.0			

Technical Specifications

Intense3D Wildcat 4210 Graphics Controller	Dimensions (HxW)	4.25 x 13.5 in/10.795 x 34.29 cm			
	Resolutions Supported	The following tables show the highest resolutions and corresponding highest refresh rates supported for the 4210 without multi-sampling. Resolutions higher than 1280 x 1024 are supported only for analog CRT monitors. Digital Flat Panel monitor support is limited to 112 Mpix/s, equating to a maximum Digital Flat Panel resolution of 1280 x 1024 at 60 Hz.			
	Aspect Ratio	96 bits per pixel	128 bits per pixel	160 bits per pixel	192 bits per pixel
	4 x 3	1920 x 1440 (60 Hz)	1920 x 1440 (60 Hz)	1920 x 1440 (60 Hz)	1920 x 1440 (60 Hz)
	5 x 4	1600 x 1280 (76 Hz)	1600 x 1280 (76 Hz)	1600 x 1280 (76 Hz)	1600 x 1280 (76 Hz)
	16 x 9	2048 x 1152 (75 Hz)	2048 x 1152 (75 Hz)	2048 x 1152 (75 Hz)	2048 x 1152 (75 Hz)
	16 x 10	1920 x 1200 (75 Hz)	1920 x 1200 (75 Hz)	1920 x 1200 (75 Hz)	1920 x 1200 (75 Hz)
	5 x 4 Frame Sequential Stereo	1280 x 1024 (60 Hz)	1280 x 1024 (60Hz)	1280 x 1024 (52 Hz)	1280 x 1024 (52 Hz)
	4 x 3 Frame Sequential Stereo	1280 x 960 (60 Hz)	1280 x 960 (60 Hz)	1280 x 960 (60 Hz)	1280 x 960 (60 Hz)
	Supported Plane Sets				
	Buffer	96 bits per pixel mode	128 bits per pixel mode	160 bits per pixel mode	192 bits per pixel mode
	Image Planes	24-bit double buffered	24-bit double buffered	24-bit double buffered	24-bit double buffered
	Z-Buffer	24-bit	32-bit	24-bit	32-bit
	Overlay	4-bit (max), double buffered	8-bit (max), double buffered	4-bit (max), double buffered	8-bit (max), double buffered
	Stencil Planes	8-bit (max)	8-bit (max)	8-bit (max)	8-bit (max)
	Alpha Planes	0	8-bit double buffered	0	8-bit double buffered
	Mask	2-bit	2-bit	2-bit	4-bit
	Accumulation Buffer	0	0	64-bit	64-bit
	Fast Clear Buffer	1-bit double buffered	1-bit double buffered	1-bit double buffered	1-bit double buffered
	Vertical Frequency	60 to 85 Hz			
	Graphics Controller	Intense3D ParaScale™ architecture with single geometry accelerator and rendering engines			
	Bus Type	AGP Pro 110			
	RAMDAC	250 MHz			
	Memory Type	SDRAM			
	Memory Amount	128-MB frame buffer and 128-MB texture memory, and 32-MB DirectBurst			
	Memory Speed	143-MHz frame buffer and texture buffer, 133-MHz Direct Burst Memory			
	Data Path	256-bit frame buffer, 128-bit texture buffer, 64-bit DirectBurst			
	Controller Clock Speed	147-MHz geometry			
	Maximum Vertical Refresh Rate	85 Hz			
	Maximum Pixel Clock	250 MHz			
	Stereographic Support	Yes			
	External Interfaces	Two DVI-I Digital Video Output Ports, Stereo Port, Genlock Port 750hm BNC Male connector, Multiview In port, and a Multiview Out port			
	Operating System Support	Windows 2000/Windows NT 4.0			

Compaq PCs use genuine Microsoft® Windows®

www.Microsoft.com\piracy/howtotell

Microsoft and Windows are trademarks of Microsoft Corporation in the U.S. and other countries.