

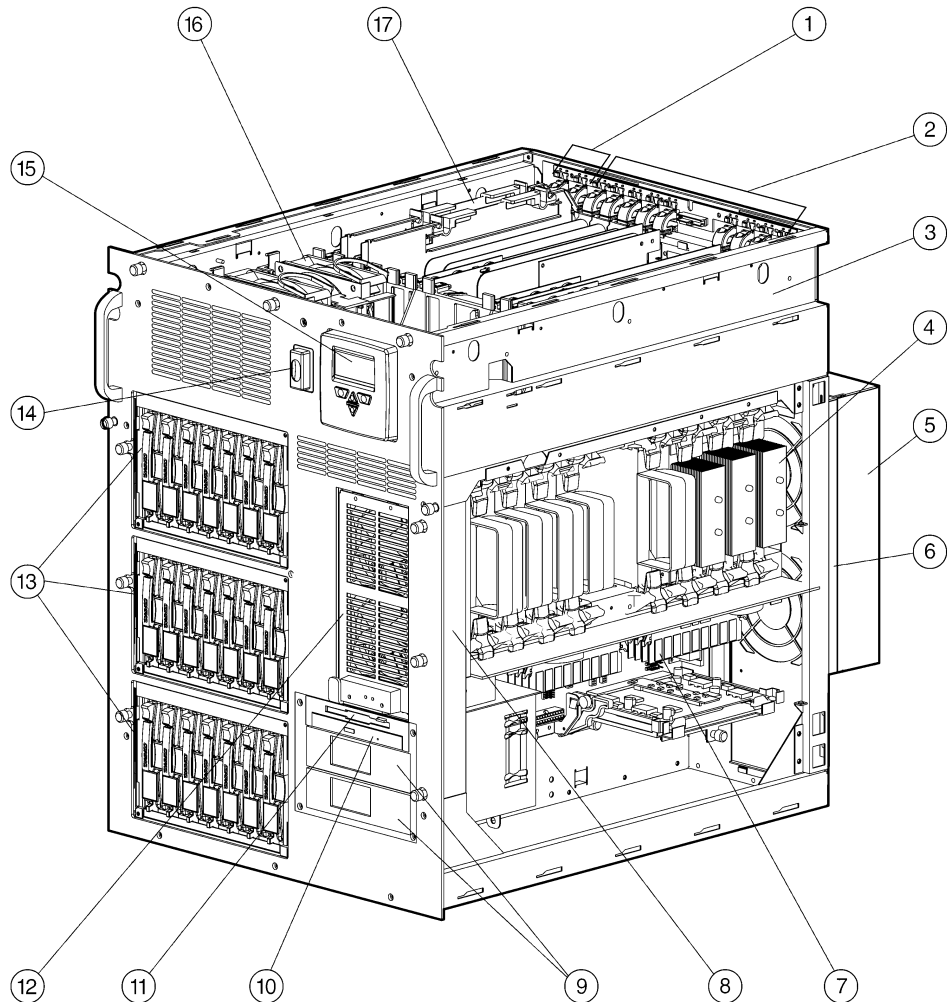
## Overview

### What's New

- Intel® Pentium® III Xeon™ 900 MHz processors (eight processor capability)

### At A Glance

- The ultra-capacity data center server with breakthrough 8-way scalable performance and the highest levels of internal fault tolerant storage for 7 x 24 environments
- 8-way server with Compaq/Intel co-developed Profusion architecture and Pentium III Xeon 900 MHz to 700 MHz processor support
- 14U rack-optimized design
- 1-MB and 2-MB L2 Cache
- ECC-protected memory bus and cache
- 100-MHz SDRAM DIMM memory that is expandable to 16 GB
- Ten 64-bit PCI and one 32-bit PCI I/O expansion slots (2 x 66 MHz, 9 x 33 MHz) all PCI Hot Plug
- Smart Array 4250ES Controller (cableless) with available optional redundancy
- Integrated Compaq NC3134 Fast Ethernet NIC 64 PCI Dual Port 10/100 in a slot, upgradeable to Gigabit
- Internal hot plug disk capacity of 1.528 TB (21 x 72.8-GB 1" hot plug Wide Ultra3 hard drives)
- Industry-Standard PCI Hot Plug with push button functionality
- ROM-Based Setup Utility (R-BSU)
- Compaq *Insight Manager™*, *SmartStart™* and Rack Builder
- Easily serviceable design
- NSTL YMARK2000 tested
- Protected by Compaq Services, including a three-year, Next Business Day on-site, limited, Global warranty and extended Pre-Failure Warranty that covers processors, memory and disk drives — Certain restrictions and exclusions apply. Consult the Compaq Customer Support Center at 1-800-345-1518 for details.



1. 2 x 66-MHz Extended SCSI PCI Hot Plug Expansion Slots
2. 9 x 33-MHz PCI Hot Plug Expansion Slot
3. Rack Rail Slots
4. Intel Pentium III Xeon processor (supports up to eight) with Redundant Processor Power Modules (one per processor)
5. Rear Hot Plug Redundant Fan
6. Rear Redundant Processor Fans
7. Memory Expansion Board
8. Redundant Internal Processor Fans
9. Two 5.25" removable media bays
10. 24X IDE CD-ROM Drive, Low Profile
11. 1.44-MB Diskette Drive (Low-Profile)
12. Front Hot Plug Processor Fan
13. Hot Plug Drive Bay; three Internal Drive Cages standard for 21 x 1-ince Wide Ultra2/Ultra3 SCSI hot plug hard drives
14. On/Standby Power Switch
15. Integrated Management Display (IMD)
16. Hot Plug Redundant I/O Fans
17. Smart Array 4250ES Controller (optional redundant array controller shown)

## Standard Features

<b>Processor</b> <i>One of the following depending on Model</i>	Intel Pentium III Xeon processor 900 MHz Intel Pentium III Xeon processor 700 MHz	
<b>Cache Memory</b> <i>One of the following depending on Model</i>	2-MB level 2 writeback cache per processor standard <i>Note: Available with 900 MHz Models or 700 MHz 4P Models.</i> 1-MB level 2 writeback cache per processor standard <i>Note: Available with 700 MHz 2P Models only.</i>	
<b>Cache Accelerator</b>	Cache Accelerator Standard	
<b>Upgradability</b>	Upgradable to eight processors	
<b>Chipset</b>	Profusion co-developed and licensed by Compaq and Intel	
<b>Memory</b> <i>One of the following depending on Model</i>	Standard	2048 MB of 100-MHz ECC SDRAM DIMM memory (4P Models)
	Maximum	16 GB
	Standard	1024 MB of 100-MHz ECC SDRAM DIMM memory (2P Models)
	Maximum	16 GB
<b>Network Controller</b>	Integrated Compaq NC3134 Fast Ethernet NIC 64 PCI Dual Port 10/100 in a slot, upgradeable to Gigabit	
<b>Expansion Slots</b>	I/O (11 Total) (Ten 64-bit PCI, one 32-bit PCI)	PCI Voltage:
	66 MHz PCI (Hot Plug) 2	3.3 Volt
	33 MHz PCI (Hot Plug) 9	5 Volt
<b>Storage Controller</b>	Smart Array 4250ES Controller	
<b>Storage</b>	Diskette Drives	Integrated 1.44 MB (Low-Profile)
	CD-ROM	Integrated 24x IDE CD-ROM Drive (Low-Profile)
	Hard Drives	None
	Maximum Internal Storage	1.528 TB (21 x 72.8-GB Wide Ultra3 1" drives) (Internal hot plug drive cages only)
<b>Interfaces</b>	Parallel	1
	Serial	2
	Pointing Device (Mouse)	1
	Graphics	1
	Hot Plug Keyboard	1
	Network RJ-45	2
<b>Graphics</b>	Integrated 1280 x 1024 x 256 color on PCI local bus, 2-MB video memory	
<b>Form Factor</b>	14U Rack Form Factor; ships with sliding rack rails and cable management arm; standard 19" rack-mountable	

## Standard Features

<b>ProLiant™ Essentials Foundation Pack Software</b>	Insight Manager 7	Insight Manager 7 helps maximize system uptime and performance and reduces the cost of maintaining the IT infrastructure by providing proactive notification of problems before those problems result in costly downtime and reduced productivity. Insight Manager 7 is easy to set up and provides rapid access to detailed fault and performance information gathered by the Management Agents. One-click access to the Integrated Lights-Out or Remote Insight Lights Out Edition board allows systems administrators to take full graphical control of ProLiant servers in remote locations or lights-out data centers. Finally, Insight Manager 7 in concert with the Version Control Agents and Version Control Repository Manager enables systems administrators to version manage and update system software across groups of ProLiant servers.
	SmartStart	SmartStart is a tool that simplifies server setup, providing a rapid way to deploy reliable and consistent server configurations. For more information, please visit the SmartStart website at <a href="http://www.hp.com/servers/smartstart">http://www.hp.com/servers/smartstart</a> .
	Management Agents	SmartStart version supported (minimum): SmartStart 5.00 The Management Agents form the foundation for HP's Intelligent Manageability strategy. They provide direct, browser-based access to in-depth instrumentation built into HP servers, workstations, desktops, and portables, and send alerts to Insight Manager 7 and other enterprise management applications in case of subsystem or environmental failures. For additional information about the Management Agents and other management products from HP, please visit the management website at <a href="http://www.hp.com/servers/manage">http://www.hp.com/servers/manage</a> .
	ActiveUpdate™	ActiveUpdate is a web-based application that keeps IT managers directly connected to HP for proactive notification and delivery of the latest software updates.
	ROMPac™, support software, and configuration utilities Survey Utility and diagnostics utilities Optional ProLiant Essentials Value Packs	The latest software, drivers, and firmware fully optimized and tested for your ProLiant server and options. The most advanced configuration analysis, reporting and troubleshooting utilities used by HP and at your fingertips. Optional software offerings that selectively extend the functionality of an Adaptive Infrastructure to address specific business problems and needs: <ul style="list-style-type: none"> <li>• Rapid Deployment Pack – an automated solution for multi-server deployment and provisioning, enabling companies to quickly and easily adapt to changing business demands.</li> <li>• Workload Management Pack – provides easier management of complex environments, improving overall server utilization and enabling Windows 2000® customers for the first time to confidently deploy multiple applications on a single multiprocessor ProLiant Server.</li> </ul>

Note: For more information regarding ProLiant Essentials Software, please see the following URL: <http://www.hp.com/servers/proliantessentials>.  
Note: This Web site is available in English only.

<b>Industry Standard Compliance</b>	ACPI 2.0 Compliant PCI 2.2 Compliant PAE Support Microsoft® Logo certifications
-------------------------------------	--

## Standard Features

---

<b>Manageability</b>	Insight Manager 7 Remote Lights-Out Edition (optional) ROM-Based Setup Utility (R-BSU) Integrated Remote Console (IRC) Integrated Management Display (IMD) Automatic Server Recovery-2 (ASR-2) Advanced Configuration and Power Interface Specification Ready (ACPI) Server Health Logs Off-Line Backup Processor capability Compaq Redundant Power Supply Utility Compaq Power Down Utility Pre-Failure Warranty (covers processors, as well as hard drives and memory)
<b>Availability</b>	PCI Hot Plug with push button functionality Redundant Smart Array 4250ES Controller option Redundant Hot Plug Power Supplies Redundant Hot Plug Fans Redundant Processor Power Modules Dynamic sector repairing and drive parameter tracking (with Smart Array controllers) Redundant/adaptive load balancing NIC Support Hot Plug Dual Port 10/100 TX NIC ECC Memory
<b>Security</b>	Power-on password Hot plug keyboard password Diskette drive control Diskette boot control Network Server Mode Security provision Parallel and serial interface control Administrator's password Disk configuration lock Keylock System chassis Power supply security bar
<b>Server Power Cords</b>	Two Lowline power cords & two Highline power cords ships standard (North America) Two Highline power cord ships standard (ROW)
<b>Power Supply</b>	Two 1150/500-Watt Hot Plug Redundant Power Supplies (support for up to three Hot Plug Power Supplies). Power supplies are load sharing and provide 1150 Watts of Redundant power for 220-volt input or 500 Watts of Redundant power for 110-volt input. <b>Note:</b> A third power supply is required for redundancy if one or more of the following exists: >4 Processors >8-GB Memory >8 PCI Cards >15 Hard Drives 6 Hard Drives = 1 Processor Each 512-MB Memory = 2 3.3V PCI Cards

### Standard Features

---

<b>System Fans</b>	Supports 10 system fans (ship standard)
<b>Required Cabling</b>	For required cabling information, refer to the Compaq Web site at <a href="http://www.compaq.com/products/servers/proliantML750">http://www.compaq.com/products/servers/proliantML750</a> . Note: This Web site is available in English only.
<b>OS Support</b>	Microsoft Windows NT® Server Microsoft Windows 2000 Novell® NetWare® SCO® UnixWare® LINUX® (Red Hat®, SuSE®, TurboLinux Server, Caldera® eServer) Sun™ Solaris™ Intel Platform Edition  Note: For a more complete and up-to-date listing of supported OS's and versions, please visit our OS Support Matrix at: <a href="ftp://ftp.compaq.com/pub/products/servers/os-support-matrix-310.pdf">ftp://ftp.compaq.com/pub/products/servers/os-support-matrix-310.pdf</a> .  Note: For an up-to-date listing of the latest drivers available for the Compaq ProLiant ML750, please see: <a href="http://www.compaq.com/support/files/server/us/index.html">http://www.compaq.com/support/files/server/us/index.html</a> .
<b>Rack Airflow Requirements</b>	<ul style="list-style-type: none"><li>• Rack 9000 and 10000 series Cabinets The increasing power of new high-performance processor technology requires increased cooling efficiency for rack-mounted servers. The Compaq 9000 Series Rack and the new 10000 Series Racks provides enhanced airflow for maximum cooling, allowing these racks to be fully loaded with servers using the latest processors.</li><li>• Rack 7000 series Cabinets When installing a server with processors running at speeds of 550 MHz or greater in Compaq Rack 7000 series racks with glass doors (165753-001 (42U), and 163747-001 (22U)), the new processor technology requires the installation of Compaq's new High Airflow Rack Door Inserts (327281-B21 (42U), 327281-B22 (42U 6 pack), or 157847-B21 (22U)) to promote enhanced airflow for maximum cooling.</li></ul> <p><b>CAUTION:</b> If a third-party rack is used, observe the following additional requirements to ensure adequate airflow and to prevent damage to the equipment:</p> <ul style="list-style-type: none"><li>- <u>Front and rear doors:</u> If your 42U server rack includes closing front and rear doors, you must allow 830 square inches (5,350 sq cm) of hole evenly distributed from top to bottom to permit adequate airflow (equivalent to the required 64 percent open area for ventilation).</li><li>- <u>Side:</u> The clearance between the installed rack component and the side panels of the rack must be a minimum of 2.75 inches (7 cm).</li></ul> <p><b>CAUTION:</b> Always use blanking panels to fill all remaining empty front panel U-spaces in the rack. This arrangement ensures proper airflow. Using a rack without blanking panels results in improper cooling that can lead to thermal damage.</p> <p>Note: For additional information, refer to the Setup and Installation Guide or the Documentation CD provided with the server, or to the server documentation located in the Support section at the following URL: <a href="http://www5.compaq.com/products/servers/proliantml750/index.html">http://www5.compaq.com/products/servers/proliantml750/index.html</a>.</p>

## Standard Features

---

### Service and Support

Compaq Services provides a three-year, limited warranty, including Pre-Failure Warranty (coverage of hard drives, memory and processors) fully supported by a worldwide network of resellers and service providers. Compaq technical assistance is available 7x24, toll free in the United States and Canada. Telephone support services may be covered under warranty or available for an additional fee.

Note: Limited Warranty includes 3 year Parts, 3 year Labor, 3-year on-site support.

A full range of *CarePaq™* packaged hardware and software services:

- Installation and start up
- Extended coverage hours and enhanced response times
- System management and performance services
- Availability and recovery services

Note: For more information, customer/resellers can contact <http://www.compaq.com/services>.

Please see the following URL regarding Warranty Information For Your Compaq Products:  
[http://www.compaq.com/support/warranty\\_upgrades/web\\_statements/176738.html](http://www.compaq.com/support/warranty_upgrades/web_statements/176738.html).

For additional information regarding Worldwide Limited Warranty and Technical Support, please see the following URL: <ftp://ftp.compaq.com/pub/supportinformation/ejourney/176738.pdf>.

Note: Certain restrictions and exclusions apply. Consult the Compaq Customer Support Center at 1-800-345-1518 for details.

### Models

<b>Model ML750T01 X900-2MB, 2048MB (4P)</b> <i>178279-xx1</i> Note: Not available in North America	<b>Processor(s)</b> <b>Cache Memory</b> <b>Memory</b> <b>Network Controller</b> <b>Storage Controller</b> <b>Hard Drives</b> <b>Internal Storage</b> <b>Cache Accelerator</b> <b>Optical Drive</b> <b>Form Factor</b>	(4) Intel Pentium III Xeon 900 MHz standard (up to 8 supported) 2-MB Level 2 writeback per processor 2048 MB (Standard) to 16 GB (Maximum) 100-MHz ECC SDRAM DIMM Integrated Compaq NC3134 Fast Ethernet NIC 64 PCI Dual Port 10/100 in a slot Smart Array 4250ES Controller None ship standard 1.528 TB max (with optional hard drives) Two Standard 24x IDE CD-ROM Drive 14U Tower Form Factor
<b>Model ML750T01 X700-2MB, 2048MB (4P)</b> <i>226824-xx1</i> Note: Not available in North America	<b>Processor(s)</b> <b>Cache Memory</b> <b>Memory</b> <b>Network Controller</b> <b>Storage Controller</b> <b>Hard Drives</b> <b>Internal Storage</b> <b>Cache Accelerator</b> <b>Optical Drive</b> <b>Form Factor</b>	(4) Intel Pentium III Xeon 700 MHz standard (up to 8 supported) 2-MB Level 2 writeback per processor 2048 MB (Standard) to 16 GB (Maximum) 100-MHz ECC SDRAM DIMM Integrated Compaq NC3134 Fast Ethernet NIC 64 PCI Dual Port 10/100 in a slot Smart Array 4250ES Controller None ship standard 1.528 TB max (with optional hard drives) Two Standard 24x IDE CD-ROM Drive 14U Tower Form Factor
<b>Model ML750T01 X700-1MB, 1024MB (2P)</b> <i>226823-xx1</i> Note: Not available in North America	<b>Processor(s)</b> <b>Cache Memory</b> <b>Memory</b> <b>Network Controller</b> <b>Storage Controller</b> <b>Hard Drives</b> <b>Internal Storage</b> <b>Cache Accelerator</b> <b>Optical Drive</b> <b>Form Factor</b>	(2) Intel Pentium III Xeon 700 MHz standard (up to 8 supported) 1-MB Level 2 writeback per processor 1024 MB (Standard) to 16 GB (Maximum) 100-MHz ECC SDRAM DIMM Integrated Compaq NC3134 Fast Ethernet NIC 64 PCI Dual Port 10/100 in a slot Smart Array 4250ES Controller None ship standard 1.528 GB max (with optional hard drives) Two Standard 24x IDE CD-ROM Drive 14U Tower Form Factor
<b>Country Code Key</b>	XX=00 XX=02 XX=03 XX=04 XX=05 XX=29 XX=37 XX=AA	U.S. English Int'l UK Germany France Japan APD PRC

## Options

<b>ProLiant 8000 Supported Upgrade Option Kits</b>	<p><b>Note:</b> These options are only supported in the ProLiant 8000 server.</p> <p>ProLiant 8000 Pentium III Xeon 550 MHz to 900 MHz Upgrade Kit 231092-B21</p> <p><b>Note:</b> This upgrade kit (PN 231092-B21) enables customers to upgrade from 550 MHz Pentium III Xeon processor technology to 900 MHz Pentium III Xeon processor technology.</p> <p><b>Note:</b> The upgrade kit includes the following:</p> <ul style="list-style-type: none"> <li>- 4 x Pentium III Xeon 900MHz/2MB processors</li> <li>- Rom BootBlock chip, and chip removal tool</li> <li>- Service event (Installation)</li> <li>- Cables and software for re-programming PAL</li> <li>- Detailed instructions guide</li> </ul> <p><b>Note:</b> This Upgrade Kit (PN 231092-B21) is only supported by the ProLiant 8000 server.</p>
	<p>ProLiant 8000 Pentium III Xeon 550 MHz to 700 MHz Upgrade Kit 202428-B21</p> <p><b>Note:</b> This upgrade kit (PN 202428-B21) enables customers to upgrade from 550 MHz Pentium III Xeon processor technology to 700 MHz Pentium III Xeon processor technology.</p> <p><b>Note:</b> This Upgrade Kit (PN 202428-B21) is only supported by the ProLiant 8000 server.</p>
<b>ProLiant Essentials Value Pack Software</b>	<p>Rapid Deployment Pack, 1 User, V1.x 267196-B21</p> <p><b>Note:</b> This license allows 1 server to be managed and deployed via the Deployment Server.</p>
	<p>Rapid Deployment Pack, 1 User, V1.x (Japan) 267196-291</p> <p><b>Note:</b> This license allows 1 server to be managed and deployed via the Deployment Server.</p>
	<p>Rapid Deployment Pack, 10 Users, V1.x 269817-B21</p> <p><b>Note:</b> This license allows 10 servers to be managed and deployed via the Deployment Server.</p>
	<p>Rapid Deployment Pack, 10 Users, V1.x (Japan) 269817-291</p> <p><b>Note:</b> This license allows 10 servers to be managed and deployed via the Deployment Server.</p>
	<p>ProLiant Essentials Workload Management Pack (Featuring Resource Partitioning Manager version 2.0) 303284-B21</p> <p><b>Note:</b> Flexible and volume quantity license kits are available for ProLiant Essentials Value Packs. Refer to <a href="http://www.compaq.com/proliantessentials">http://www.compaq.com/proliantessentials</a> or the various ProLiant Essentials Value Pack product QuickSpecs for more information.</p> <p><b>Note:</b> For more information regarding ProLiant Essentials Software, please see the following URL: <a href="http://www.compaq.com/proliantessentials">http://www.compaq.com/proliantessentials</a>.</p> <p><b>Note:</b> These Web sites are available in English only.</p>
	<p>HP NetServer to ProLiant integration and assessment service 304164-002</p> <p><b>Note:</b> HP identifies current levels of NetServer support, services, and management. This service helps maximize customer's ability to add ProLiant platforms into their current environment</p>
<b>NetServer to ProLiant integrations services</b>	<p>HP TopTools to Insight Manager 7 installation and startup service 304163-002</p> <p><b>Note:</b> Provides on-site review, installation and configuration services for Insight Manager 7. HP will also re-create, as closely as possible, the views and reports from the customer's current TopTools configuration. This service assures a smooth transition to the ProLiant Essentials software.</p>
	<p>HP NetServer to ProLiant Essentials Rapid Deployment Pack installation and startup service 304162-002</p> <p><b>Note:</b> Install and configure Rapid Deployment Pack in a test environment, then deploy a server image to a maximum of 250 systems in the production environment. This service helps to assure successful system deployment.</p>



### Options

<b>Processor</b>	Note: Pentium III Xeon 550 MHz, 700 MHz, and 900 MHz processors cannot be mixed in the same server. They all have to be of the same speed.	
	Pentium III Xeon X900-2MB Processor Option Kit	177666-B21
	Note: This processor option kit (PN 177666-B21) supports the ProLiant ML750, ProLiant DL760, ProLiant 8500, and the ProLiant 8000 servers.	
	Pentium III Xeon X700-2MB Processor Option Kit	175810-B21
<b>Memory (SDRAM DIMMs)</b>	Note: This processor option kit (PN 175810-B21) supports the ProLiant DL760, ProLiant ML750, ProLiant 8500, and the ProLiant 8000 servers.	
	Pentium III Xeon X700-1MB Processor Option Kit	167444-B21
	Note: This processor option kit (PN 167444-B21) supports the ProLiant DL760, ProLiant ML750, ProLiant 8500, and the ProLiant 8000 servers.	
<b>Memory (SDRAM DIMMs)</b>	2048-MB 100-MHz ECC SDRAM DIMM Memory Expansion Kit (2 x 1024-MB)	328809-B21
	1024-MB 100-MHz ECC SDRAM DIMM Memory Expansion Kit (2 x 512-MB)	328808-B21
	512-MB 100-MHz ECC SDRAM DIMM Memory Expansion Kit (2 x 256-MB)	328807-B21
	256-MB 100-MHz ECC SDRAM DIMM Memory Expansion Kit (2 x 128-MB)	328806-B21
<b>Hard Drives</b>	<b>Wide Ultra3 Universal Drives – Hot Plug</b>	
	72.8-GB Wide Ultra3 SCSI 10,000 rpm Drive (1")	232432-B22
	36.4-GB Wide Ultra3 SCSI 10,000 rpm Drive (1")	176496-B22
	18.2-GB Wide Ultra3 SCSI 10,000 rpm Drive (1")	142673-B22
	36.4-GB Wide Ultra3 SCSI 15,000 rpm Drive (1")	232916-B22
	18.2-GB Wide Ultra3 SCSI 15,000 rpm Drive (1")	188122-B22
<b>Storage Controllers</b>	Smart Array 532 Controller	225338-B21
	Smart Array 532 Controller (Japan)	225338-291
	Smart Array 4250ES Controller	295635-B21
	Smart Array 4250ES Controller (Japan)	295635-291
	Smart Array 5302/128 Controller	283552-B21
	Smart Array 5302/128 Controller (Japan)	283552-291
	Smart Array 5304/256 Controller	283551-B21
	Smart Array 5304/256 Controller (Japan)	283551-291
	Smart Array 5312 Controller	238633-B21
	Smart Array 5312 Controller (Japan)	238633-291
	Ultra3 Channel Expansion Module for Smart Array 5300 Controller	153507-B21
	128-MB Cache Module for Smart Array 5302 Controller	153506-B21
	Advanced Data Guarding Module for Smart Array 5302 Controller	199371-B21
	RAID ADG Upgrade for Smart Array 5302	288601-B21
	256-MB Battery-Backed Cache Module	254786-B21
	Note: This 256-MB Battery-Backed Cache Module supports the Smart Array 5300 series controllers, MSA 1000 and the Smart Array Cluster Storage	
64-bit/66-MHz Single Channel Wide Ultra3 SCSI Adapter (The 64-bit/66-MHz Single Channel Wide Ultra3 SCSI Adapter (154557-xx1) will default to Wide Ultra2 speeds when not used with the Wide Ultra3 SCSI hard drives.)	154457-B21	
64-bit/66-MHz Dual Channel Wide Ultra3 SCSI Adapter (The 64-bit/66-MHz Dual Channel Wide Ultra3 SCSI Adapter (129803-xx1) will default to Wide Ultra2 speeds when not used with the Wide Ultra3 SCSI hard drives.)	129803-B21	

### Options

<b>Communications</b>	Compaq NC3123 Fast Ethernet NIC PCI 10/100 WOL	174830-B21
	Compaq NC3134 Fast Ethernet NIC 64 PCI Dual Port 10/100	138603-B21
	Compaq NC3135 Fast Ethernet Upgrade Module	138604-B21
	Compaq NC6132 64-bit Gigabit Module 1000 SX Upgrade Module for NC3134 and NC3131	338456-B23
	Compaq NC6133 Gigabit Module 1000LX Upgrade Module for NC3134 and NC3131	338456-B24
	Compaq NC3133 Fast Ethernet Module 100FX Upgrade Module for NC3134 and NC3131	338456-B25
	Compaq NC6136 Gigabit Server Adapter, 64-bit/66-MHz, PCI, 1000 SX	203539-B21
	Compaq NC7131 Gigabit Server Adapter, 64-bit/66-MHz, PCI, 10/100/1000-T	158575-B21
	Compaq NC7132 10/100/1000-T Upgrade Module for NC3134 and NC3131	153543-B21
<b>Redundant Options</b>	1150/500-Watt Hot Plug N + 1 redundant power supply (NA)	401231-001
	1150/500-Watt Hot Plug N +1 redundant power supply (International (Int'l))	401231-B31
	1150/500-Watt Hot Plug N + 1 redundant power supply (Japan)	401231-291
	<b>Note:</b> The ProLiant ML750 supports up to 3 power supplies.	
	<b>Note:</b> A third power supply is required for redundancy if one or more of the following exists:	
	>4 Processors	
	>8-GB Memory	
	>8 PCI Cards	
	>15 Hard Drives	
	6 Hard Drives = 1 Processor	
	Each 512MB Memory = 2 3.3V PCI Cards	
<b>Management Options</b>	Remote Insight Lights-Out Edition II (NA, LA)	227251-001
	Remote Insight Lights-Out Edition II (EMEA)	227251-021
	Remote Insight Lights-Out Edition II (ROW)	227251-371
	Compaq Remote Insight Lights-Out Edition (NA, LA)	157866-001
	Compaq Remote Insight Lights-Out Edition (EURO)	157866-021
	Compaq Remote Insight Lights-Out Edition (ADP, Japan)	157866-371
<b>Security</b>	HP/Atalla AXL600L SSL Accelerator Card for ProLiant Servers	524545-B21
	Compaq AXL300 Accelerator PCI Card for ProLiant Servers	227933-B21
<b>Monitors</b>	Flat Panel TFT8030 18" Color Monitor Two-Tone (Carbon/Silver)	234362-xxx
	Flat Panel TFT1825 18" Color Monitor Two-Tone (Carbon/Silver)	296751-xxx
	Flat Panel TFT7020 17" Color Monitor Two-Tone (Carbon/Silver)	253216-xxx
	Flat Panel TFT1720 17" Color Monitor Two-Tone (Carbon/Silver)	295926-xxx
	Flat Panel TFT1520 15" Color Monitor Two-Tone (Carbon/Silver)	295925-xxx
	Flat Panel TFT2025 20" Color Monitor Two-Tone (Carbon/Silver)	285550-xxx
	TFT5110R Flat Panel Monitor (Carbon)	281683-B21
	TFT5010R Flat Panel Monitor (NA)	217248-001
	TFT5010R Flat Panel Monitor (Int'l)	217248-B31
	TFT5010R Flat Panel Monitor (Japan)	217248-291
	<b>Note:</b> Monitors larger than 17" may be too heavy for use in rack systems.	

## Options

CRT Country Code Key	<b>NORTH AMERICA (NA)/LATIN AMERICA (LA)</b>	
	<b>Dash #</b>	<b>Description</b>
	-001	NA Kit with US Power Cord
	-002	Carbon model with US Power Cord
	-003	Touch Screen model with US Power Cord
	-004	NAFTA model with US Power Cord (Made in Mexico)
	-005	NA Kit with Powered Speakers
	-006	GSA model with US Power Cord
	-007	NH MPR model with US power cord (Made in Mexico)
	-B24	TCO model without power cord (Digital Classic)
	-201	EH model for Brazil (older Brazil models used -B29)
	-202	EH model for Brazil Carbon (older Brazil models used -B29)
	-C91	EH model for Mercosur countries
	-C92	EH model for Mercosur countries Carbon
	-B29	EH/ALADI model for Latin America
	<i>Note: All NA/LA models above are NH.</i>	
	<b>EUROPE, MIDDLE EAST AND AFRICA (EMEA)</b>	
	<b>Dash #</b>	<b>Description</b>
	-021	NH/TCO with Eurocord (DCE Hub)
	-022	NH/MPR with Eurocord (DCE Hub) (India)
	-023	NH Carbon model with Eurocord (DCE Hub)
	-024	NH Touch Screen model with Eurocord (DCE Hub)
	-025	NH Kit with Speakers and Eurocord
	-A91	NH/TCO without power cord (Dubai hub)
	-A92	NH/MPR without power cord (Dubai hub)
	-031	NH/TCO with UK Cord (UK Hub)
	-032	NH/MPR with UK Cord (UK Hub)
	-033	NH/TCO carbon with UK Cord
	-035	NH Kit with Speakers and UK Cord
	-B21	SH/MPR without power cord (S. Africa Hub)
	-B23	SH/TCO without power cord (S. Africa Hub)
	-B27	SH/TCO Carbon without power cord (S. Africa Hub)
	<b>PACIFIC/AUSTRALIA (APD)</b>	
	<b>Dash #</b>	<b>Description</b>
	-B22	NH/MPR without power cord
	-B24	NH/TCO without power cord
	-B25	EH Carbon model without power cord
	-B26	NH Touch Screen model without power cord
	-011	SH model with AUZ/NZ power cord
	-015	SH model with speakers AUZ/NZ power cord
	-012	SH Carbon model with AUZ/NZ power cord
	-AD1	NH model for Korea
	-AD2	NH Carbon model for Korea
	-B28	EH model without power cord
	-B35	EH model with speakers no power cord (Singapore)

## Options

### CRT Country Code Key *(continued)*

#### GREATER CHINA (GCD)

Dash #	Description
-AA1	NH/China Kit with CCIB label (Local Sales)
-AA2	NH/Carbon China Kit with CCIB label (Local Sales)
-KA1	NH/China Kit with CCIB label (External Sales/Bundles in HK)
-AB1	NH/Taiwan kit, mfg. in Taiwan

#### JAPAN (CKK)

Dash #	Description
-291	NH/Japan Kit with 3-2 pin adapter
-292	NH Carbon Japan Kit with 3-2 pin adapter

### TFT Country Code Key

#### EUROPE, MIDDLE EAST & AFRICA (EMEA)

Dash #	Description
-021	Europe
-031	UK

#### NORTH AMERICA

Dash #	Description
-001	NA
-B24	All NA/LA models

#### APD

Dash #	Description
-011	Australia/NZ

#### JAPAN (CKK)

Dash #	Description
-291	Japan

### Tape Drives

Note: A separate SCSI controller is required if you are installing an internal tape device

Note: In order to install certain tape drives internally, you may need to remove the rails that come standard on the drives and then re-insert the screws in the mounting holes.

#### Internal and External DAT Tape Drives

Internal 12/24-GB DAT Drive (opal)	295513-B22
Internal 12/24-GB DAT Drive (opal) (Japan)	295513-292

Note: Please see the 12/24 GB DAT Drive QuickSpecs for additional options such as cassettes and for an up-to-date listing of the latest O/S Support details, please see the following:

[http://www5.compaq.com/products/quickspecs/10239\\_div/10239\\_div.HTML](http://www5.compaq.com/products/quickspecs/10239_div/10239_div.HTML) (Division/World Wide)

[http://www5.compaq.com/products/quickspecs/10239\\_na/10239\\_na.HTML](http://www5.compaq.com/products/quickspecs/10239_na/10239_na.HTML) (North America)

HP StorageWorks 20/40-GB DAT DDS-4 Tape Drive, Internal (Carbon) (WW)	157769-B22
HP StorageWorks 20/40-GB DAT DDS-4 Tape Drive, External (Carbon) (NA)	157770-002
HP StorageWorks 20/40-GB DAT DDS-4 Tape Drive, External (Int'l) (Carbon)	157770-B32
HP StorageWorks 20/40-GB DAT DDS-4 Tape Drive, External (Japan) (Carbon)	157770-292

Note: Please see the 20/40-GB DAT Tape Drive QuickSpecs for additional options such as host bus adapters, controllers, cassettes, and for an up-to-date listing of the latest O/S Support details, please see the following:

[http://www5.compaq.com/products/quickspecs/10426\\_div/10426\\_div.HTML](http://www5.compaq.com/products/quickspecs/10426_div/10426_div.HTML) (Division/World Wide)

[http://www5.compaq.com/products/quickspecs/10426\\_na/10426\\_na.HTML](http://www5.compaq.com/products/quickspecs/10426_na/10426_na.HTML) (North America)

### Options

#### Tape Drives *(continued)*

##### **Internal and External AIT Tape Drives**

HP StorageWorks Internal AIT 35-GB, LVD Tape Drive (Carbon)	216884-B21
HP StorageWorks External AIT 35-GB, LVD Tape Drive (Carbon)	216885-001
HP StorageWorks External AIT 35-GB, LVD Tape Drive (Carbon) (Int'l)	216885-B31
HP StorageWorks External AIT 35-GB, LVD Tape Drive (Carbon) (Japan)	216885-291

Note: Please see the AIT 35GB, LVD Tape Drive QuickSpecs for additional options such as adapters, controllers, and cassettes, and for an up-to-date listing of the latest O/S Support details, please see the following:  
[http://www5.compaq.com/products/quickspecs/10712\\_div/10712\\_div.HTML](http://www5.compaq.com/products/quickspecs/10712_div/10712_div.HTML) (Division/World Wide)  
[http://www5.compaq.com/products/quickspecs/10712\\_na/10712\\_na.HTML](http://www5.compaq.com/products/quickspecs/10712_na/10712_na.HTML) (North America)

HP StorageWorks AIT 50-GB Tape Drive, Internal (Carbon) (WW)	157766-B22
HP StorageWorks AIT 50-GB Tape Drive, External (Carbon) (NA)	157767-002
HP StorageWorks AIT 50-GB Tape Drive, External (Int'l) (Carbon)	157767-B32
HP StorageWorks AIT 50-GB Tape Drive, External (Japan) (Carbon)	157767-292
HP StorageWorks AIT 50GB Tape Drive, 3U Rackmount	274333-B21

Note: Please see the AIT 50-GB Tape Drive QuickSpecs for additional options such as adapters, controllers, and cassettes, and for an up-to-date listing of the latest O/S Support details, please see the following:  
[http://www5.compaq.com/products/quickspecs/10425\\_div/10425\\_div.HTML](http://www5.compaq.com/products/quickspecs/10425_div/10425_div.HTML) (Division/World Wide)  
[http://www5.compaq.com/products/quickspecs/10425\\_na/10425\\_na.HTML](http://www5.compaq.com/products/quickspecs/10425_na/10425_na.HTML) (North America)

HP StorageWorks Internal AIT 100-GB Tape Drive (Carbon)	249189-B21
HP StorageWorks External AIT 100-GB Tape Drive (Carbon)	249160-001
HP StorageWorks External AIT 100-GB Tape Drive (Carbon) (Int'l)	249160-B31

Note: Please see the AIT 100-GB Tape Drive QuickSpecs for additional options such as adapters, controllers, and cassettes, and for an up-to-date listing of the latest O/S Support details, please see the following:  
[http://www5.compaq.com/products/quickspecs/11062\\_div/11062\\_div.HTML](http://www5.compaq.com/products/quickspecs/11062_div/11062_div.HTML) (Division/World Wide)  
[http://www5.compaq.com/products/quickspecs/11062\\_na/11062\\_na.HTML](http://www5.compaq.com/products/quickspecs/11062_na/11062_na.HTML) (North America)

##### **Internal and External DLT/SDLT Tape Drives**

HP StorageWorks 40/80-GB DLT Tape Drive, Internal (Carbon)	146196-B22
HP StorageWorks 40/80-GB DLT Tape Drive, External (Carbon) (NA)	146197-B22
HP StorageWorks 40/80-GB DLT Tape Drive, External (Carbon) (Japan)	146197-293
HP StorageWorks Rackmount DLT 40/80, 3U (Single Drive)	274332-B21
HP StorageWorks Rackmount DLT 40/80, Dual Drive 3U (Two Drives)	274335-B21
HP StorageWorks Rackmount DLT 40/80, Tape Array III, 5U (Four Drives)	274337-B21

Note: Please see the 40/80-GB DLT Drive QuickSpecs for additional options such as host bus adapters, controllers, cassettes, and for an up-to-date listing of the latest O/S Support details, please see the following:  
[http://www5.compaq.com/products/quickspecs/10658\\_div/10658\\_div.HTML](http://www5.compaq.com/products/quickspecs/10658_div/10658_div.HTML) (Division/World Wide)  
[http://www5.compaq.com/products/quickspecs/10658\\_na/10658\\_na.HTML](http://www5.compaq.com/products/quickspecs/10658_na/10658_na.HTML) (North America)

## Options

### Tape Drives (continued)

#### **Internal and External DLT VS Tape Drives**

HP StorageWorks DLT VS 40/80 Tape Drive, Internal (Carbon) All	280129-B21
HP StorageWorks DLT VS 40/80 Tape Drive, External (Carbon) All	280129-B22
HP StorageWorks DLT VS 40/80 Tape Drive, External (Carbon) (WW)	280129-B31
HP StorageWorks DLT VS 40/80 Tape Drive, External (Carbon) (Japan)	280129-291

Note: Please see the DLT VS 40/80 Tape Drive QuickSpecs for additional options such as host bus adapters, controllers, cassettes, and for an up-to-date listing of the latest O/S Support details, please see the following:

[http://www5.compaq.com/products/quickspecs/11403\\_div/11403\\_div.HTML](http://www5.compaq.com/products/quickspecs/11403_div/11403_div.HTML) (Division/World Wide)  
[http://www5.compaq.com/products/quickspecs/11403\\_na/11403\\_na.HTML](http://www5.compaq.com/products/quickspecs/11403_na/11403_na.HTML) (North America)

HP StorageWorks Rackmount SDLT 110/220, 3U (Single Drive)	274331-B21
HP StorageWorks Rackmount SDLT 110/220, Dual-Drive, 3U (Two Drives)	274334-B21
HP StorageWorks Rackmount SDLT 110/220, Tape Array III, 5U (Four Drives)	274336-B21

Note: Please see the SDLT 110/220GB Tape Drive QuickSpecs for additional options such as adapters, controllers, and media, and for an up-to-date listing of the latest O/S Support details, please see the following:

[http://www5.compaq.com/products/quickspecs/10772\\_div/10772\\_div.HTML](http://www5.compaq.com/products/quickspecs/10772_div/10772_div.HTML) (Division/World Wide)  
[http://www5.compaq.com/products/quickspecs/10772\\_na/10772\\_na.HTML](http://www5.compaq.com/products/quickspecs/10772_na/10772_na.HTML) (North America)

HP StorageWorks SDLT 160/320, Internal (carbon) (WW)	257319-B21
HP StorageWorks SDLT 160/320, External NA (carbon)	257319-001
HP StorageWorks SDLT 160/320, External WW (carbon)	257319-B31
HP StorageWorks SDLT 160/320, External Japan (carbon)	257319-291

Note: Please see the SDLT 160/320-GB Tape Drive QuickSpecs for additional options such as adapters, controllers, and media, and for an up-to-date listing of the latest O/S Support details, please see the following:

[http://www5.compaq.com/products/quickspecs/11406\\_div/11406\\_div.HTML](http://www5.compaq.com/products/quickspecs/11406_div/11406_div.HTML) (Division/World Wide)  
[http://www5.compaq.com/products/quickspecs/11406\\_na/11406\\_na.HTML](http://www5.compaq.com/products/quickspecs/11406_na/11406_na.HTML) (North America)

#### **External SuperLoader**

DLT1 1280 SuperLoader	268664-B21
-----------------------	------------

Note: Please see the StorageWorks DLT1 1280 SuperLoader QuickSpecs for additional options and for an up-to-date listing of the latest O/S Support details, please see the following:

[http://www5.compaq.com/products/quickspecs/11330\\_div/11330\\_div.HTML](http://www5.compaq.com/products/quickspecs/11330_div/11330_div.HTML) (Division/World Wide)  
[http://www5.compaq.com/products/quickspecs/11330\\_na/11330\\_na.HTML](http://www5.compaq.com/products/quickspecs/11330_na/11330_na.HTML) (North America)

#### **Internal and External LTO Ultrium Tape Drives**

HP StorageWorks LTO Ultrium 230 Tape Drive, Internal (Carbon) WW	Q1515A
HP StorageWorks LTO Ultrium 230 Tape Drive, External (Carbon) NA	Q1516A
HP StorageWorks LTO Ultrium 230 Tape Drive, External (Carbon) Int'l	Q1517A

Note: Please see the HP StorageWorks LTO Ultrium Tape Drive QuickSpecs for additional options such as controllers, and other related items, and for an up-to-date listing of the latest O/S Support details, please see the following:

[http://www5.compaq.com/products/quickspecs/11415\\_div/11415\\_div.HTML](http://www5.compaq.com/products/quickspecs/11415_div/11415_div.HTML) (Division/World Wide)  
[http://www5.compaq.com/products/quickspecs/11415\\_na/11415\\_na.HTML](http://www5.compaq.com/products/quickspecs/11415_na/11415_na.HTML) (North America)

#### **AIT Autoloader**

HP StorageWorks AIT 35 GB Autoloader, Rackmount (Carbon) (NA)	280349-001
HP StorageWorks AIT 35 GB Autoloader, Rackmount (Carbon) (Int'l)	280349-B31
HP StorageWorks AIT 35 GB Autoloader Tabletop (Carbon) (NA)	292355-001
HP StorageWorks AIT 35 GB Autoloader, Tabletop (Carbon) (Int'l)	292355-B31

Note: Please see the AIT 35-GB Autoloader QuickSpecs for additional options such as adapters, controllers, and cassettes, and for an up-to-date listing of the latest O/S Support details, please see the following:

[http://www5.compaq.com/products/quickspecs/11404\\_div/11404\\_div.HTML](http://www5.compaq.com/products/quickspecs/11404_div/11404_div.HTML) (Division/World Wide)  
[http://www5.compaq.com/products/quickspecs/11404\\_na/11404\\_na.HTML](http://www5.compaq.com/products/quickspecs/11404_na/11404_na.HTML) (North America)

## Options

Tape Drives <i>(continued)</i>	<b>Rackmount Tape Drive Kits</b>	
	3U Rackmount Kit	274338-B21
	Note: The 3U Rackmount Kit (PN 274338-B21) can support up to (2) full-height or (4) half-height tape drives and compatible with multiple Single-Ended and LVD SCSI Tape Drives including the 12/24-GB DAT, 20/40-GB DAT, 20/40-GB DAT DDS-4 8 Cassette Autoloader, AIT 35-GB LVD, AIT 50 GB, 20/40-GB DLT, 40/80-GB DLT, and the SDLT 110/220-GB Tape Drives.	
	5U Rackmount Kit	274339-B21
	Note: The 5U Rackmount Kit (PN 274339-B21) can support up to (4) full-height tape drives and is compatible with all Compaq DLT/SDLT tape drives including the 20/40-GB DLT, 35/70-GB DLT, 40/80-GB DLT, and the SDLT 110/220-GB tape drives.	
	Note: Please see the Rackmount Tape Drive Kits QuickSpecs for additional information regarding these kits, please see the following: <a href="http://www5.compaq.com/products/quickspecs/10854_div/10854_div.HTML">http://www5.compaq.com/products/quickspecs/10854_div/10854_div.HTML</a> (Division/World Wide) <a href="http://www5.compaq.com/products/quickspecs/10854_na/10854_na.HTML">http://www5.compaq.com/products/quickspecs/10854_na/10854_na.HTML</a> (North America)	
	<b>Rackmount Tape Drive Cable Kits</b>	
	LVD Cable Kit, VHDCI/HD68	168048-B21
	Note: For use with the 3U RM Storage Enclosure and DLT Tape Array III only.	
	LVD Cable Kit, HD68/HD68	242381-B21
Note: For use with the 3U RM Storage Enclosure and DLT Tape Array III only.		
Tape Automation	<b>Entry Level Tape Libraries</b>	
	<b>SSL2020 Automated AIT Library</b>	
	SSL2020 AIT Mini-Library 1 drive, 20 slot Table Top	175195-B21
	SSL2020 AIT Mini-Library 2 drive, 20 slot Table Top	175195-B22
	SSL2020 AIT Mini-Library 1 drive, 20 slot Rackmount	175196-B21
	SSL2020 AIT Mini-Library 2 drive, 20 slot Rackmount	175196-B22
	SSL2020 AIT Library Pass Thru with Transport	175312-B21
	SSL2020 AIT Library Pass Thru Extender	175312-B22
	AIT 50-GB Drive Add-On LVD Drive for SSL2020 AIT Library	175197-B21
	<b>Required Adapters/Controllers for SSL2020 AIT Library</b>	
	64-Bit/66-Mhz Dual Channel Wide Ultra3 SCSI Adapter	129803-B21
	SAN Access Module for Smart Array 5302 Controller	216687-B21
	SAN Access Module for Smart Array 5302 Controller (Japan)	216687-291
	Note: Please see the SSL2020 Automated AIT Tape Library Solution QuickSpecs for additional information including Upgrade Kits, Accessories, and SCSI Cable Kits and additional options needed for a complete solution at: <a href="http://www5.compaq.com/products/quickspecs/10580_na/10580_na.HTML">http://www5.compaq.com/products/quickspecs/10580_na/10580_na.HTML</a> (North America) <a href="http://www5.compaq.com/products/quickspecs/10580_div/10580_div.HTML">http://www5.compaq.com/products/quickspecs/10580_div/10580_div.HTML</a> (Division/World Wide)	
	<b>MSL5000 Libraries</b>	
	<b>Mainstream Tape Library</b>	
	<b>MSL5026DLX DLT Library</b>	
	MSL5026DLX, 1 40/80-GB DLT, LVD Table Top	231821-B21
	MSL5026DLX, 2 40/80-GB DLT, LVD Table Top	231821-B22
	MSL5026DLX, 1 40/80-GB DLT, LVD Rackmount	231891-B21
MSL5026DLX, 2 40/80-GB DLT, LVD Rackmount	231891-B22	



## Options

<i>Tape Automation (continued)</i>	<i>MSL5000 Libraries (continued)</i>
	<b><i>MSL5026SL SDLT Library</i></b>
	MSL5026SL Library, SDLT 110/220, 1 Drive, LVD, Table Top 231822-B21
	MSL5026SL Library, SDLT 110/220, 2 Drives, LVD, Table Top 231822-B22
	MSL5026SL Library, SDLT 110/220, 1 Drive, LVD, Rackmount 231892-B21
	MSL5026SL Library, SDLT 110/220, 2 Drives, LVD, Rackmount 231892-B22
	Note: Please see the StorageWorks MSL5026DLX or MSL5026SL Library QuickSpecs for additional information including Upgrade Kits, Accessories, and SCSI Cable Kits and additional options needed for a complete solution at: <a href="http://www5.compaq.com/products/quickspecs/10860_na/10860_na.HTML">http://www5.compaq.com/products/quickspecs/10860_na/10860_na.HTML</a> (North America) <a href="http://www5.compaq.com/products/quickspecs/10860_div/10860_div.HTML">http://www5.compaq.com/products/quickspecs/10860_div/10860_div.HTML</a> (Division/World Wide)
	MSL5026SL, Tabletop, 1 SDLT Drive (Graphite) 302511-B21
	MSL5026SL, Tabletop, 2 SDLT Drives (Graphite) 302511-B22
	MSL5026SL, Rackmount, 1 SDLT Drive (Graphite) 302512-B21
	MSL5026SL, Rackmount, 2 SDLT Drive (Graphite) 302512-B22
	Note: Please see the StorageWorks MSL5026SL Library QuickSpecs for additional information including Upgrade Kits, Accessories, and SCSI Cable Kits and additional options needed for a complete solution at: <a href="http://www5.compaq.com/products/quickspecs/11440_na/11440_na.HTML">http://www5.compaq.com/products/quickspecs/11440_na/11440_na.HTML</a> (North America) <a href="http://www5.compaq.com/products/quickspecs/11440_div/11440_div.HTML">http://www5.compaq.com/products/quickspecs/11440_div/11440_div.HTML</a> (Division/World Wide)
	<b><i>MSL5026S2 SDLT Library</i></b>
	MSL5026S2, Rackmount, 0 Drive Library 293472-B21
	MSL5026S2, Rackmount, 1 Drive, SDLT2 Library 293472-B22
	MSL5026S2, Rackmount, 2 Drives, SDLT2 Library 293472-B23
	MSL5026S2FC, Rackmount, 1 Drive, SDLT2 Library 293472-B24
	MSL5026S2FC, Rackmount, 2 Drives, SDLT2 Library 293472-B25
	MSL5026S2, Tabletop, 1 Drive, SDLT2 Library 293473-B21
	MSL5026S2, Tabletop, 2 Drives, SDLT2 Library 293473-B22
	Note: Please see the StorageWorks MSL5026S2 Library QuickSpecs for additional information including Upgrade Kits, Accessories, and SCSI Cable Kits and additional options needed for a complete solution at: <a href="http://www5.compaq.com/products/quickspecs/11453_na/11453_na.HTML">http://www5.compaq.com/products/quickspecs/11453_na/11453_na.HTML</a> (North America) <a href="http://www5.compaq.com/products/quickspecs/11453_div/11453_div.HTML">http://www5.compaq.com/products/quickspecs/11453_div/11453_div.HTML</a> (Division/World Wide)
	<b><i>Departmental Tape Library</i></b>
	<b><i>MSL5026S2 SDLT Library</i></b>
	MSL5026S2, Rackmount, 0 Drive Library 293472-B21
	MSL5026S2, Rackmount, 1 Drive, SDLT2 Library 293472-B22
	MSL5026S2, Rackmount, 2 Drives, SDLT2 Library 293472-B23
	MSL5026S2FC, Rackmount, 1 Drive, SDLT2 Library 293472-B24
	MSL5026S2FC, Rackmount, 2 Drives, SDLT2 Library 293472-B25
	MSL5026S2, Tabletop, 1 Drive, SDLT2 Library 293473-B21
	MSL5026S2, Tabletop, 2 Drives, SDLT2 Library 293473-B22
	Note: Please see the StorageWorks MSL5026S2 Library QuickSpecs for additional information including Upgrade Kits, Accessories, and SCSI Cable Kits and additional options needed for a complete solution at: <a href="http://www5.compaq.com/products/quickspecs/11453_na/11453_na.HTML">http://www5.compaq.com/products/quickspecs/11453_na/11453_na.HTML</a> (North America) <a href="http://www5.compaq.com/products/quickspecs/11453_div/11453_div.HTML">http://www5.compaq.com/products/quickspecs/11453_div/11453_div.HTML</a> (Division/World Wide)



## Options

<b>Tape Automation (continued)</b>	<b>MSL5000 Libraries (continued)</b>
	<b>MSL5052SL SDLT Library</b>
	MSL5052, Rackmount, 0 Drive, SDLT ALL 255102-B21
	MSL50502SL, SDLT, 110/220, 2 Drives, LVD, Table Top 249490-B21
	MSL50502SL, SDLT, 110/220, 2 Drives, LVD, Rackmount 249491-B21
	Note: Please see the StorageWorks MSL5052SL Library QuickSpecs for additional information including Upgrade Kits, Accessories, and SCSI Cable Kits and additional options needed for a complete solution at: <a href="http://www5.compaq.com/products/quickspecs/11061_na/11061_na.HTML">http://www5.compaq.com/products/quickspecs/11061_na/11061_na.HTML</a> (North America) <a href="http://www5.compaq.com/products/quickspecs/11061_div/11061_div.HTML">http://www5.compaq.com/products/quickspecs/11061_div/11061_div.HTML</a> (Division/World Wide)
	Note: Please see the StorageWorks MSL5026DLX or MSL5026SL Library QuickSpecs for additional information including Upgrade Kits, Accessories, and SCSI Cable Kits and additional options needed for a complete solution at: <a href="http://www5.compaq.com/products/quickspecs/10860_na/10860_na.HTML">http://www5.compaq.com/products/quickspecs/10860_na/10860_na.HTML</a> (North America) <a href="http://www5.compaq.com/products/quickspecs/10860_div/10860_div.HTML">http://www5.compaq.com/products/quickspecs/10860_div/10860_div.HTML</a> (Division/World Wide)
	<b>MSL5052S2 SDLT Library</b>
	MSL5052S2, Tabletop, 2 Drives, SDLT2 Library 293476-B21
	MSL5052S2, Rackmount, 2 Drives, SDLT2 Library 293474-B21
	MSL5052S2FC, Rackmount, 2 Drives, SDLT2 Library 293474-B24
	Note: Please see the StorageWorks MSL5052S2 Library QuickSpecs for additional information including Upgrade Kits, Accessories, and SCSI Cable Kits and additional options needed for a complete solution at: <a href="http://www5.compaq.com/products/quickspecs/11442_na/11442_na.HTML">http://www5.compaq.com/products/quickspecs/11442_na/11442_na.HTML</a> (North America) <a href="http://www5.compaq.com/products/quickspecs/11442_div/11442_div.HTML">http://www5.compaq.com/products/quickspecs/11442_div/11442_div.HTML</a> (Division/World Wide)
	<b>MSL5030 LTO Library</b>
	MSL5030L1, Rackmount, 0 Drive Library 301897-B21
	MSL5030L1, Rackmount, 1 Drive, LTO1 Library 301897-B22
	MSL5030L1, Rackmount, 2 Drives, LTO1 Library 301897-B23
	MSL5030L1FC, Rackmount, 1 Drive, LTO1 Library 301897-B24
	MSL5030L1FC, Rackmount, 2 Drives, LTO1 Library 301897-B25
	MSL5030L1, Tabletop, 1 Drive, LTO1 Library 301898-B21
	MSL5030L1, Tabletop, 2 Drives, LTO1 Library 301898-B22
	Note: Please see the StorageWorks MSL5030 LTO Library QuickSpecs for additional information including Upgrade Kits, Accessories, and SCSI Cable Kits and additional options needed for a complete solution at: <a href="http://www5.compaq.com/products/quickspecs/11439_na/11439_na.HTML">http://www5.compaq.com/products/quickspecs/11439_na/11439_na.HTML</a> (North America) <a href="http://www5.compaq.com/products/quickspecs/11439_div/11439_div.HTML">http://www5.compaq.com/products/quickspecs/11439_div/11439_div.HTML</a> (Division/World Wide)
	<b>MSL5060 LTO Library</b>
	MSL5060L1, Rackmount, 0 Drive Library 301899-B21
	MSL5060L1, Rackmount, 2 Drives, LTO1 Library 301899-B22
	MSL5060L1FC, Rackmount, 2 Drives, LTO1 Library 301899-B23
	MSL5060L1, Tabletop, 2 Drives, LTO1 Library 301900-B21
	Note: Please see the StorageWorks MSL5060 LTO Library QuickSpecs for additional information including Upgrade Kits, Accessories, and SCSI Cable Kits and additional options needed for a complete solution at: <a href="http://www5.compaq.com/products/quickspecs/11438_na/11438_na.HTML">http://www5.compaq.com/products/quickspecs/11438_na/11438_na.HTML</a> (North America) <a href="http://www5.compaq.com/products/quickspecs/11438_div/11438_div.HTML">http://www5.compaq.com/products/quickspecs/11438_div/11438_div.HTML</a> (Division/World Wide)

## Options

<b>Tape Automation</b> (continued)	<b>MSL5000 Libraries</b> (continued)	
	<b>MSL5000 series Libraries Options</b>	
	MSL5K Field Upgrade SDLT 110/220 Drive, LVD	231823-B22
	MSL5000 SDLT2 Upgrade Drive	293475-B21
	MSL5000 LTO1 Upgrade Drive	301901-B21
	MSL5000 Dual Magazine LTO	301902-B21
	MSL5000 Dual Magazine DLT	232136-B21
	<b>Required Adapters for MSL5000 series Libraries</b>	
	64-Bit/66Mhz Dual Channel Wide Ultra3 SCSI Adapter	129803-B21
	<b>Enterprise 9000 System Library</b>	
	<b>ESL9198SL SDLT Library</b>	
	ESL9198 Enterprise Library LVD, 0 Drives	194993-B21
	ESL9198SL Enterprise Library, LVD 4 110/220 SDLT Drives	234618-B21
	ESL9198SL Enterprise Library, LVD 8 110/220 SDLT Drives	234618-B22
	Note: Please see the StorageWorks ESL9198SL Enterprise Library QuickSpecs for additional information including Tape Drives, Cartridges, Controllers, and SCSI Cables and additional options needed for a complete solution at: <a href="http://www5.compaq.com/products/quickspecs/10867_na/10867_na.HTML">http://www5.compaq.com/products/quickspecs/10867_na/10867_na.HTML</a> (North America) <a href="http://www5.compaq.com/products/quickspecs/10867_div/10867_div.HTML">http://www5.compaq.com/products/quickspecs/10867_div/10867_div.HTML</a> (Division/World Wide)	
	<b>ESL9322S2 SDLT Library</b>	
	ESL9322S2, 222 slot, 2 Drives, SDLT2	293409-B22
	ESL9322S2, 222 slot, 8 Drives, SDLT2	293409-B28
	ESL9322S2, 322 slot, 2 Drives, SDLT2	293410-B22
	ESL9322S2, 322 slot, 8 Drives, SDLT2	293410-B28
	Note: Please see the StorageWorks ESL9322S2 Enterprise Library QuickSpecs for additional information including Tape Drives, Cartridges, Controllers, and SCSI Cables and additional options needed for a complete solution at: <a href="http://www5.compaq.com/prouducts/quickspecs/11437_na/11437_na.HTML">http://www5.compaq.com/prouducts/quickspecs/11437_na/11437_na.HTML</a> (North America) <a href="http://www5.compaq.com/products/quickspecs/11437_div/11437_div.HTML">http://www5.compaq.com/products/quickspecs/11437_div/11437_div.HTML</a> (World Wide)	
	<b>ESL9322L1 SDLT Library</b>	
	ESL9322L1, 222 slot, 2 Drives, LTO1	301927-B22
	ESL9322L1, 222 slot, 8 Drives, LTO1	301927-B28
	ESL9322L1, 322 slot, 2 Drives, LTO1	301928-B22
	ESL9322L1, 322 slot, 8 Drives, LTO1	301928-B28
	Note: Please see the StorageWorks ESL9322L1 Enterprise Library QuickSpecs for additional information including Tape Drives, Cartridges, Controllers, and SCSI Cables and additional options needed for a complete solution at: <a href="http://www5.compaq.com/products/quickspecs/11445_na/11445_na.HTML">http://www5.compaq.com/products/quickspecs/11445_na/11445_na.HTML</a> (North America) <a href="http://www5.compaq.com/products/quickspecs/11445_div/11445_div.HTML">http://www5.compaq.com/products/quickspecs/11445_div/11445_div.HTML</a> (World Wide)	
	<b>ESL9595SL SDLT Library</b>	
	ESL9595SL Enterprise Library, 400 slot, 16 Drive	274672-B22
	ESL9595SL Enterprise Library, 500 slot, 2 Drive	281627-B22
	Note: Please see the StorageWorks ESL9595SL Enterprise Library QuickSpecs for additional information including Tape Drives, Cartridges, Controllers, and SCSI Cables and additional options needed for a complete solution at: <a href="http://www5.compaq.com/products/quickspecs/11332_na/11332_na.HTML">http://www5.compaq.com/products/quickspecs/11332_na/11332_na.HTML</a> (North America) <a href="http://www5.compaq.com/products/quickspecs/11332_div/11332_div.HTML">http://www5.compaq.com/products/quickspecs/11332_div/11332_div.HTML</a> (World Wide)	

## Options

<b>Tape Automation</b> (continued)	<b>Enterprise 9000 System Library</b> (continued)	
	<b>ESL9595S2 SDLT Library</b>	
	ESL9595S2, 400 slot, 2 Drives, SDLT2	293411-B22
	ESL9595S2, 400 slot, 16 Drives, SDLT2	293411-B28
	ESL9595S2, 500 slot, 2 Drives, SDLT2	293412-B22
	ESL9595S2, 500 slot, 16 Drives, SDLT2	293412-B28
	ESL9595S2, 595 slot, 2 Drives, SDLT2	293413-B22
	ESL9595S2, 595 slot, 16 Drives, SDLT2	293413-B28
	Note: Please see the StorageWorks ESL9595S2 Enterprise Library QuickSpecs for additional information including Tape Drives, Cartridges, Controllers, and SCSI Cables and additional options needed for a complete solution at: <a href="http://www5.compaq.com/products/quickspecs/11436_na/11436_na.HTML">http://www5.compaq.com/products/quickspecs/11436_na/11436_na.HTML</a> (North America) <a href="http://www5.compaq.com/products/quickspecs/11436_div/11436_div.HTML">http://www5.compaq.com/products/quickspecs/11436_div/11436_div.HTML</a> (World Wide)	
	<b>ESL9595L1 SDLT Library</b>	
	ESL9595L1, 400 slot, 2 Drives, LTO1	301929-B22
	ESL9595L1, 400 slot, 16 Drives, LTO1	301929-B28
	ESL9595L1, 500 slot, 2 Drives, LTO1	301931-B22
	ESL9595L1, 500 slot, 16 Drives, LTO1	301931-B28
	ESL9595L1, 595 slot, 2 Drives, LTO1	301932-B22
	ESL9595L1, 595 slot, 16 Drives, LTO1	301932-B28
	Note: Please see the StorageWorks ESL9595L1 Enterprise Library QuickSpecs for additional information including Tape Drives, Cartridges, Controllers, and SCSI Cables and additional options needed for a complete solution at: <a href="http://www5.compaq.com/products/quickspecs/11435_na/11435_na.HTML">http://www5.compaq.com/products/quickspecs/11435_na/11435_na.HTML</a> (North America) <a href="http://www5.compaq.com/products/quickspecs/11435_div/11435_div.HTML">http://www5.compaq.com/products/quickspecs/11435_div/11435_div.HTML</a> (World Wide)	
	<b>ESL9000 series Libraries Options</b>	
	ESL9000 Field Upgrade SDLT 110/220, LVD Drive (ESL9198SL, ESL9326SL, ESL9595SL)	234617-B21
	ESL9595 500 Slot Upgrade	274674-B21
	ESL9595 595 Slot Upgrade	274674-B22
	ESL9000 LTO1 Upgrade Drive	301930-B21
	ESL9000 LVD SDLT-160 Drive Upgrade	293414-B21
	ESL9000 HVD SDLT-160 Drive Upgrade	293415-B21
	ESL9000 Universal Load Port	302254-B21
	ESL9322 222 Slot to ESL9322 322 Slot Upgrade	293588-B21
	ESL9000 6 Slot DLT Magazine	229909-B21
	<b>Required Adapters for ESL9000 Libraries</b>	
	64-Bit/66-Mhz Dual Channel Wide Ultra3 SCSI Adapter	129803-B21
	Note: 64-Bit/66-Mhz Dual Channel Wide Ultra3 SCSI Adapter is required to support the LVD based libraries (ESL9595SL).	
<b>External Storage – Tower and Rack</b>	StorageWorks Enclosure Model 4314T (tower) by Compaq	190210-001
	StorageWorks Enclosure Model 4314T (tower) (Int'l)	190210-B31
	StorageWorks Enclosure Model 4314T (tower) (Japan)	190210-291
	StorageWorks Enclosure Model 4314R (rack-mountable)	190209-001
	StorageWorks Enclosure Model 4314R (rack-mountable) (Int'l)	190209-B31
	StorageWorks Enclosure Model 4314R (rack-mountable) (Japan)	190209-291
	StorageWorks Enclosure Model 4354R (rack-mountable)	190211-001

## Options

External Storage – Tower and Rack <i>(continued)</i>	StorageWorks Enclosure Model 4354R (rack-mountable) (Int'l)	190211-B31
	StorageWorks Enclosure Model 4354R (rack-mountable) (Japan)	190211-291
	<i>Note: The StorageWorks Enclosure 4300 Family support the Wide Ultra2/Ultra3 1" Hot Plug Hard Drives.</i>	
	StorageWorks Enclosure 4200 Redundant Power Supply Option	119826-B21
	StorageWorks Enclosure 4200 Ultra3 Single Bus I/O Module Option	190212-B21
	StorageWorks Enclosure 4200 Ultra3 Dual Bus I/O Module Option	190213-B21
	StorageWorks Enclosure Tower to Rack Conversion Kit	150213-B21
MSA1000	MSA 1000	201723-B21
	MSA 1000 Controller	218231-B21
	MSA Fibre Channel I/O Module	218960-B21
	MSA1000 Fabric Switch	218232-B21
	MSA 1000 Fibre Channel Adapter (FCA) 2101	245299-B21
	<i>Note: Please see the StorageWorks by Compaq Modular SAN Array 1000 QuickSpecs for additional options and configuration information at:</i> <a href="http://www5.compaq.com/products/quickspecs/11033_na/11033_na.HTML">http://www5.compaq.com/products/quickspecs/11033_na/11033_na.HTML</a> (North America) <a href="http://www5.compaq.com/products/quickspecs/11033_div/11033_div.HTML">http://www5.compaq.com/products/quickspecs/11033_div/11033_div.HTML</a> (Division/World Wide)	
StorageWorks RAID Array 4100	StorageWorks Raid Array 4100 (rack)	146013-001
	StorageWorks Raid Array 4100 (rack) (Int'l)	146013-B31
	StorageWorks Raid Array 4100 (rack) (Japan)	146013-291
	Fibre Channel Storage Hub 7	234453-001
	Fibre Channel Storage Hub 7 (Int'l)	234453-B31
	Fibre Channel Storage Hub 7 (Japan)	234453-291
	Compaq Storage Hub 7 Universal Rack Mount Kit	136127-B21
	64-bit/66-MHz Fibre Channel Host Adapter	120186-B21
	64-bit/66-MHz Fibre Channel Host Adapter (Japan)	120186-291
	Fibre Channel Host Adapter Redundancy Kit	174681-B21
	StorageWorks Fibre Channel Arbitrated Loop Switch 8	177862-B21
	StorageWorks Fibre Channel Arbitrated Loop Switch 8 (Japan)	177862-291
	StorageWorks Fibre Channel Arbitrated Loop 3-Port Expansion Module	177863-B21
	StorageWorks Fibre Channel SAN Switch 8-EL	176219-B21
	GBIC-SW Connector Kit (two each)	234459-B21
	GBIC-LW Connector Kit (two each)	340412-B21
	Fibre Channel Connection Kit, 3 SW GBICS, 2 Cables	380579-B21
	Fibre Channel Connection Kit, 2 SW GBICS, 2 Cables	380596-B21
	Fibre Channel Short Wave GBIC	380561-B21
	Fibre Channel Long Wave GBIC	127508-B21
	Fibre Channel Array Controller 64-MB Cache Upgrade Kit	262398-B21
	2-meter Multi-Mode Fibre Channel Cable	234457-B21
	5-meter Multi-Mode Fibre Channel Cable	234457-B22
	15-meter Multi-Mode Fibre Channel Cable	234457-B23
	30-meter Multi-Mode Fibre Channel Cable	234457-B24
	50-meter Multi-Mode Fibre Channel Cable	234457-B25
	<i>Note: Please see the StorageWorks RAID Array 4100 QuickSpecs for FC Hubs, FC switches, software support, host adapters/controllers, disks, and options for complete solutions at:</i> <a href="http://www5.compaq.com/products/quickspecs/10435_na/10435_na.HTML">http://www5.compaq.com/products/quickspecs/10435_na/10435_na.HTML</a> (North America) <a href="http://www5.compaq.com/products/quickspecs/10435_div/10435_div.HTML">http://www5.compaq.com/products/quickspecs/10435_div/10435_div.HTML</a> (Division/World Wide)	

### Options

StorageWorks Modular Array 8000/Enterprise Modular Array 12000	EMA12000 D14 60Hz	175990-B21
	EMA12000 D14 50Hz	175990-B22
	EMA12000 S14 60Hz	175991-B21
	EMA12000 S14 50Hz	175991-B22
	MA8000 60Hz	175992-B21
	MA8000 50Hz	175992-B22
	EMA12000 Blue 60Hz	175993-B21
	EMA12000 Blue 50Hz	175993-B22
	<p>Note: Options include controller, solution kits, ACS. MA8000/EMA12000 includes controller shelf, drive shelves and cabinet. Packaging upgrade to RA8000/ESA12000.</p> <p>Note: Please see the StorageWorks MA8000/EMA12000 QuickSpecs for FC Hubs, FC switches, platform software, host adapters, disks and options for complete solutions at:  <a href="http://www5.compaq.com/products/quickspecs/10545_na/10545_na.HTML">http://www5.compaq.com/products/quickspecs/10545_na/10545_na.HTML</a> (North America)  <a href="http://www5.compaq.com/products/quickspecs/10545_div/10545_div.HTML">http://www5.compaq.com/products/quickspecs/10545_div/10545_div.HTML</a> (Division/World Wide)</p>	
StorageWorks Enterprise Modular Array 16000 FC	EMA16000 D14 50Hz (opal)	238792-B22
	EMA16000 D14 60Hz (opal)	238792-B21
	EMA16000 S14 50Hz (opal)	238791-B22
	EMA16000 S14 60Hz (opal)	238791-B21
	<p>Note: Models include: Dual HSG80 controllers in each Model 2200 enclosure (2 pairs per single bus configuration, 4 pairs per dual bus configuration) with 1GB cache per controller pair, and 12 14-bay drive enclosures with redundant power supplies. Configure-to-Order (CTO) builds are available. Options include ACS, platform kits and SANworks™ software by Compaq.</p> <p>Note: Please see the StorageWorks EMA16000 QuickSpecs for FC switches, platform software, host adapters, disks and options for complete solutions at:  <a href="http://www5.compaq.com/products/quickspecs/10812_na/10812_na.HTML">http://www5.compaq.com/products/quickspecs/10812_na/10812_na.HTML</a> (North America)  <a href="http://www5.compaq.com/products/quickspecs/10812_div/10812_div.HTML">http://www5.compaq.com/products/quickspecs/10812_div/10812_div.HTML</a> (Division/World Wide)</p>	
StorageWorks Options	StorageWorks Fibre Channel SAN Switches 8-EL	176219-B21
	StorageWorks SAN Switch 2/8-EL	258707-B21
	StorageWorks SAN Switch 2/8-EL Upgrade	288162-B21
	StorageWorks SAN Switch 2/16-EL	283056-B21
	StorageWorks SAN Switch 2/16-EL Upgrade	288250-B21
Compaq UPS Power Cord Reference Guide	<p><i>Please see the Compaq UPS Power Cord Reference Guide for that lists cable descriptions, requirements, and specifications for Compaq UPS units.</i>  <a href="ftp://ftp.compaq.com/pub/products/servers/proliantstorage/power-protection/powercordmatrix.pdf">ftp://ftp.compaq.com/pub/products/servers/proliantstorage/power-protection/powercordmatrix.pdf</a></p>	
Uninterruptible Power Systems - Tower	UPS Model T1000 XR (1000VA, 700 Watt), Low Voltage (NA)	204155-001
	UPS Model T1000 XR (1000VA, 700 Watt), High Voltage (Int'l)	204155-B31
	UPS Model T1500 XR (1440VA, 1050 Watt), Low Voltage (NA)	204155-002
	UPS Model T1500 XR (1500VA, 1050 Watt), High Voltage (Int'l)	204155-B32
	UPS Model T1500 XR (1500VA, 1050 Watt), Low Voltage (Japan)	204155-291
	UPS Model T2200 XR (1920VA, 1600 Watt), Low Voltage (NA)	204451-001
	UPS Model T2200 XR (2080VA, 1600 Watt), High Voltage (NA)	204451-002
	UPS Model T2200 XR (2200VA, 1600 Watt), Low Voltage (NA)	204451-B31
	UPS Model T2200 XR (2200VA, 1600 Watt), Low Voltage (Japan)	204451-291

### Options

<b>Uninterruptible Power Systems- Rack</b>	Compaq UPS R1500 XR (1440VA, 1340 Watt), Low Voltage (NA)	204404-001
	Compaq UPS R1500 XR (1500VA, 1340 Watt), High Voltage (Int'l)	204404-B31
	Compaq UPS R1500 XR (1500VA, 1340 Watt), Low Voltage (Japan)	204404-291
	Compaq UPS R3000 XR (2880VA, 2700 Watt), Low Voltage (NA)	192186-001
	Compaq UPS R3000 XR (3000VA, 2700 Watt), High Voltage (NA)	192186-002
	Compaq UPS R3000 XR (2400VA, 2250 Watt), Low Voltage (Japan)	192186-291
	Compaq UPS R3000 XR (3000VA, 2700 Watt), High Voltage (Japan)	192186-292
	Compaq UPS R3000 XR (3000VA, 2700 Watt), High Voltage (Int'l - detachable cord)	192186-B31
	Compaq UPS R3000 XR (3000VA, 2700 Watt), High Voltage (16A IEC309 Plug)	192186-B32
	Compaq UPS R3000 XR (3000VA, 2700 Watt), High Voltage (16A CEE 7/7 SCHUKO Plug)	192186-B33
	Compaq UPS R3000 XR (3000VA, 2700 Watt), High Voltage (16A BS-546 Plug)	192186-AR1
	Rack-Mountable UPS R6000 (6000VA, 6000 Watt) High Voltage (NA)	347207-001
	<a href="#">Note: The UPS R6000 has a hardwired input.</a>	
	Rack-Mountable UPS R6000 (6000VA, 6000 Watt) High Voltage (Int'l)	347207-B31
	<a href="#">Note: The UPS R6000 has a hardwired input.</a>	
Rack-Mountable UPS R6000 (6000VA, 6000 Watt) High Voltage (Japan)	347207-291	
<a href="#">Note: The UPS R6000 has a hardwired input.</a>		
UPS R12000 XR N+x (200-240V) (WW-hardwired)	207552-B22	
<a href="#">Note: The UPS R12000 XR has a hardwired input and output.</a>		
<b>UPS Options</b>	SNMP Serial Port Card	192189-B21
	<a href="#">Note: Supports tower and rack UPS XR models ranging from 1000 – 3000VA.</a>	
	Six Port Card	192185-B21
	<a href="#">Note: Supports tower and rack UPS XR models ranging from 1000 – 3000VA.</a>	
	High to Low Voltage Transformer (250VA)	388643-B21
	<a href="#">Note: Supports R6000 UPS series only. 2.5 amps @ 125 Volts max output across two NEMA 5-15.</a>	
	Extended Runtime Module, T1000 XR	218967-B21
	<a href="#">Note: 2U each, two ERM maximum.</a>	
	Extended Runtime Module, T1500 XR/T2200 XR	218969-B21
	<a href="#">Note: 3U each, one ERM maximum.</a>	
	Extended Runtime Module, R1500 XR	218971-B21
	<a href="#">Note: 2U each, two ERM maximum.</a>	
	Extended Runtime Module, R3000 XR	192188-B21
<a href="#">Note: 2U each, one ERM maximum.</a>		
Extended Runtime Module, R6000	347224-B21	
<a href="#">Note: 3U each, two ERM maximum.</a>		
Extended Runtime Module, R12000 XR, 4U	217800-B21	
SNMP-EN Adapter	347225-B21	
<a href="#">Note: Supports R6000 UPS series only.</a>		
Multi-Server UPS Card	123508-B21	
<a href="#">Note: Supports R6000 UPS series only.</a>		
Scalable UPS Card	123509-B21	
<a href="#">Note: Supports R6000 UPS series only.</a>		

### Options

<b>Rack-Mountable PDUs – 1U/0U</b> (Up to 12 outlets) Note: 0U mounting brackets shipped with the unit (separate option kit for 1U mounting).	Compaq Power Distribution Unit-16A (200 to 240V) (WW)	207590-B21
	Note: The 16A PDU also connects to the high volt models of the UPS R3000 XR (need cable PN 340653-001 (NA)) and the UPS R6000 models. Cable PN 340653-001 required if connecting to UPS R3000 XR (192186-002 NA-High Volt model only).	
	Compaq Power Distribution Unit-24A (200 to 240V) (NA, Japan, LA)	207590-D72
	Note: This PDU may also be used to connect to the low volt UPS R3000 XR model.	
	Compaq Power Distribution Unit-32A (200 to 240V) (Int'l)	207590-B31
	Compaq Power Distribution Unit-40A (200 to 240V) (WW)	207590-B23
	Compaq Power Distribution Unit-24A (100 to 127V) (NA, Japan, LA)	207590-D71
<b>Dual Input PDUs, 1U/0U</b> (Up to 12 outlets) Note: 1U/0U mounting brackets shipped with the unit (optimized for 10000 and 9000 series racks).	1U PDU Mounting Brackets	215852-B21
	Note: The 1U PDU Mounting Brackets are required when mounting PDU's PN 207590-xxx series in 1U configurations.	
	Note: Please see the following Power Distribution Unit (Zero-U/1U PDU) QuickSpecs for additional options including cables: <a href="http://www5.compaq.com/products/quickspecs/10838_na/10838_na.HTML">http://www5.compaq.com/products/quickspecs/10838_na/10838_na.HTML</a> (North America) <a href="http://www5.compaq.com/products/quickspecs/10838_div/10838_div.HTML">http://www5.compaq.com/products/quickspecs/10838_div/10838_div.HTML</a> (Division/World Wide)	
	Compaq Dual Input Power Distribution Unit-24A High Voltage (NA only)	191186-001
Compaq Dual Input Power Distribution Unit-24A High Voltage (Int'l)	191186-B31	
Note: Please see the following Power Distribution Unit (Zero-U/1U PDU) QuickSpecs for additional options including cables: <a href="http://www5.compaq.com/products/quickspecs/10838_na/10838_na.HTML">http://www5.compaq.com/products/quickspecs/10838_na/10838_na.HTML</a> (North America) <a href="http://www5.compaq.com/products/quickspecs/10838_div/10838_div.HTML">http://www5.compaq.com/products/quickspecs/10838_div/10838_div.HTML</a> (Division/World Wide)		
<b>Modular PDUs 1U/0U</b> (Up to 32 outlets) Note: 1U/0U mounting brackets shipped with the unit (optimized for 10000 and 9000 series racks).	Modular Power Distribution Units (mPDU), Low Volt Model, 24A (100-127 VAC) (NA, Japan)	252663-D71
	Note: This mPDU (252663-D71) may also be used to connect the low volt model of the UPS R3000 XR.	
	Modular Power Distribution Units (mPDU), High Volt Model, 24A (200-240 VAC) (NA, Japan)	252663-D72
	Modular Power Distribution Units (mPDU), High Volt Model, 32A (200-240 VAC) (Int'l)	252663-B31
	Modular Power Distribution Units (mPDU), High Volt Model, 40A (200-240 VAC) (WW)	252663-B21
	Note: This mPDU (252663-B21), 40A model has a hardwired input.	
	Note: Please see the following Modular Power Distribution Unit (Zero-U/1U Modular PDUs) QuickSpecs for additional options including cables: <a href="http://www5.compaq.com/products/quickspecs/11041_na/11041_na.HTML">http://www5.compaq.com/products/quickspecs/11041_na/11041_na.HTML</a> (North America) <a href="http://www5.compaq.com/products/quickspecs/11041_div/11041_div.HTML">http://www5.compaq.com/products/quickspecs/11041_div/11041_div.HTML</a> (Division/World Wide)	
<b>Rack Builder</b>	<i>Please see the Compaq Rack Builder for configuration assistance at <a href="http://www.compaq.com/rackbuilder/">http://www.compaq.com/rackbuilder/</a></i>	
<b>Rack to Tower Conversion Kit</b>	ProLiant ML750 Rack to Tower Conversion Option Kit (NA)	232550-001
	ProLiant ML750 Rack to Tower Conversion Option Kit (Int'l)	232550-B21



### Options

<b>Compaq Rack 10000 Series</b> (Graphite Metallic)	Compaq Rack 10842 (42U, 800mm wide) – Pallet	257415-B21
	Compaq Rack 10842 (42U, 800mm wide) – Shock Pallet	257415-B22
	Compaq Rack 10647 (47U) – Pallet	245160-B21
	Compaq Rack 10647 (47U) – Crated	245160-B23
	Compaq Rack 10642 (42U) – Pallet	245161-B21
	Compaq Rack 10642 (42U) – Shock Pallet	245161-B22
	Compaq Rack 10642 (42U) – Crated	245161-B23
	Compaq Rack 10636 (36U) – Pallet	245162-B21
	Compaq Rack 10636 (36U) – Shock Pallet	245162-B22
	Compaq Rack 10636 (36U) – Crate	245162-B23
	Compaq Rack 10622 (22U) – Pallet	245163-B21
	Compaq Rack 10622 (22U) – Shock Pallet	245163-B22
	Compaq Rack 10622 (22U) – Crated	245163-B23

Note: -B21 (pallet) used to ship empty racks shipped on a truck  
 -B22 (shock pallet) used to ship racks with equipment installed (by custom systems, VARs and Channels)  
 -B23 (crated) used for air shipments of empty racks

Note: It is mandatory to use a shock pallet in order to ship racks with equipment installed.

Note: Not all Compaq equipment is qualified to be shipped in the Rack 10000 series.

<b>Compaq Rack 9000 Series</b> (Opal)	Compaq Rack 9142 (42U) – Pallet	120663-B21
	Compaq Rack 9142 (42U) – Shock Pallet	120663-B22
	Compaq Rack 9142 (42U) – Crated	120663-B23
	Compaq Rack 9136 (36U) – Pallet	120664-B21
	Compaq Rack 9136 (36U) – Shock Pallet	120664-B22
	Compaq Rack 9136 (36U) – Crated	120664-B23
	Compaq Rack 9122 (22U) – Pallet	120665-B21
	Compaq Rack 9122 (22U) – Shock Pallet	120665-B22
	Compaq Rack 9122 (22U) – Crated	120665-B23
	Compaq Rack 9842 (800mm wide, 42U) – Pallet	222192-B21

Note: -B21 (pallet) used to ship empty racks shipped on a truck  
 -B22 (shock pallet) used to ship racks with equipment installed (by custom systems, VARs and Channels)  
 -B23 (crated) used for air shipments of empty racks

<b>Rack Options for Compaq Rack 10000 Series</b>	Rack Blanking Panels – Graphite (Multi)	253214-B26
	Note: Contains one each of 1U, 2U, 3U, and 4U panel.	
	Rack Blanking Panels – Graphite (1U)	253214-B21
	Note: The Rack Blanking Panels (PN 253214-B21) contains 10 each of (1U).	
	Rack Blanking Panels – Graphite (2U)	253214-B22
	Note: The Rack Blanking Panels (PN 253214-B22) contains 10 each of (2U).	
	Rack Blanking Panels – Graphite (3U)	253214-B23
	Note: The Rack Blanking Panels (PN 253214-B23) contains 10 each of (3U).	
	Rack Blanking Panels – Graphite (4U)	253214-B24
	Note: The Rack Blanking Panels (PN 253214-B24) contains 10 each of (4U).	
	Rack Blanking Panels – Graphite (5U)	253214-B25
	Note: The Rack Blanking Panels (PN 253214-B25) contains 10 each of (5U).	
	800mm Wide Stabilizer Kit (Graphite)	255488-B21
	Note: Supported by the Rack 10842 cabinet only.	
	600mm Stabilizer Kit – Graphite	246107-B21
Baying Kit for Rack 10000 series (Carbon)	248929-B21	
42U Side Panel – Graphite Metallic	246099-B21	
110V Fan Kit (Graphite)	257413-B21	
Note: Roof Mount Includes power cord with IEC320-C13 to Nema 5-15P.		
220V Fan Kit (Graphite)	257414-B21	
Note: Roof Mount Includes power cord with IEC320-C13 to Nema 6-15P.		



### Options

<b>Rack Options for Compaq Rack 10000 Series</b> <i>(continued)</i>	36U Side Panel – Graphite Metallic	246102-B21
	47U Side Panel – Graphite Metallic	255486-B21
	9000/10000 Series Offset Baying Kit (42U)	248931-B21
	<p>Note: This kit can be used to connect 9000 and 10000 series racks of the same U height together. Kit contents include hardware for connecting racks and a panel to cover the 100mm gap at the rear of the two racks.</p>	
<b>Rack Options for Compaq Rack 9000 Series</b>	Baying/Coupling Kit	120669-B21
	42U Side Panel	120670-B21
	<p>Note: The 42U Side Panel (PN 120670-B21) supports the Compaq Rack 9142 and Compaq Rack 9842.</p>	
	36U Side Panel	120671-B21
	<p>Note: The 36U Side Panel (PN 120671-B21) supports the Compaq Rack 9136.</p>	
	800mm Stabilizer Option Kit (Opal)	234493-B21
	<p>Note: The 800mm Stabilizer Kit (PN 234493-B21) supports the Rack 9842 only.</p>	
	600mm Stabilizer Option Kit	120673-B21
	9142 Extension Kit	120679-B21
	<p>Note: The 9142 Extension Kit (PN 120679-B21) supports the Compaq Rack 9142 only.</p>	
	9142 Split Rear Door	254045-B21
	<p>Note: The 9142 Split Rear Door (PN 254045-B21) supports the 600 mm wide, 42U 9000 series rack.</p>	
	9136 Extension Kit	218216-B21
	9142 Short Rear Door	218217-B21
	<p>Note: The 9142 Short Rear Door (PN 218217-B21) supports the Compaq Rack 9142 only.</p>	
	9136 Short Rear Door	218218-B21
	9122 Short Rear Door (Opal)	218219-B21
	Rack Blanking Panel (Multi)	169940-B21
	<p>Note: Kit includes four panels in 1U, 2U, 4U, and 8U.</p>	
	Rack Blanking Panels (1U)	189453-B21
<p>Note: The Rack Blanking Panels (PN 189453-B21) contains 10 each of (1U).</p>		
Rack Blanking Panels (2U)	189453-B22	
<p>Note: The Rack Blanking Panels (PN 189453-B22) contains 10 each of (2U).</p>		
Rack Blanking Panels (3U)	189453-B23	
<p>Note: The Rack Blanking Panels (PN 189453-B23) contains 10 each of (3U).</p>		
Rack Blanking Panels (4U)	189453-B24	
<p>Note: The Rack Blanking Panels (PN 189453-B24) contains 10 each of (4U).</p>		
Rack Blanking Panels (5U)	189453-B25	
<p>Note: The Rack Blanking Panels (PN 189453-B25) contains 10 each of (5U).</p>		
9000/10000 Series Offset Baying Kit (42U)	248931-B21	
<p>Note: This kit can be used to connect 9000 and 10000 series racks of the same U height together. Kit contents include hardware for connecting racks and a panel to cover the 100mm gap at the rear of the two racks.</p>		
<b>Rack Options for Compaq Rack 7000 Series</b>	High Air Flow Rack Door Insert for 7122	157847-B21
	High Air Flow Rack Door Insert for 7142 (single)	327281-B21
	High Air Flow Rack Door Insert for 7142 (6-pack)	327281-B22
	Compaq Networking Cable Management Kit	292407-B21
	Compaq Networking Recessed Rail Management Kit	292406-B21
	Compaq Rack Extension Kit for 7142	154392-B21

## Options

Rack Options for Compaq Rack 7000, 9000 and 10000 Series	Monitor Utility Shelf	303606-B21
	Ballast Option Kit	120672-B21
	100kg Sliding Shelf	234672-B21
	Rack Rail Adapter Kit (25" depth)	120675-B21
	Monitor/Utility Shelf - Graphite	253449-B21
	Depth Adjustable Fixed Rail	332558-B21
	Cable Management D-Rings Kit	168233-B21
	Console Management Controller (CMC) Option Kit	203039-B21
	Console Management Controller (CMC) Sensors Option Kit	203039-B22
	Console Management Controller (CMC) Locking Option Kit	203039-B23
	Console Management Controller (CMC) Smoke Sensors Option Kit	203039-B24
	Server Console Switch 1 x 2 port (100 to 230 VAC)	120206-001
	Server Console Switch 1 x 2 port (100 to 230 VAC) (Int'l)	120206-B31
	Server Console Switch 1 x 2 port (100 to 230 VAC) (Japan)	120206-291
	Server Console Switch 1 x 4 port (100 to 230 VAC)	400336-001
	Server Console Switch 1 x 4 port (100 to 230 VAC) (Int'l)	400336-B31
	Server Console Switch 1 x 4 port (100 to 230 VAC) (Japan)	400336-291
	Server Console Switch 1 x 8 port (100 to 230 VAC)	400337-001
	Server Console Switch 1 x 8 port (100 to 230 VAC) (Int'l)	400337-B31
	Server Console Switch 1 x 8 port (100 to 230 VAC) (Japan)	400337-291
	Server Console Switch 2 x 8 port (100 to 230 VAC)	400338-001
	Server Console Switch 2 x 8 port (100 to 230 VAC) (Int'l)	400338-B31
	Server Console Switch 2 x 8 port (100 to 230 VAC) (Japan)	400338-291
	Server Console Switch 2 x 8 port (48VDC)	400542-B21
	IP Console Switch Box, 1x1x16	262585-B21
	IP Console Switch Box, 3x1x16	262586-B21
	IP Console Interface Adapter, 8 pack	262587-B21
	IP Console Interface Adapter, 1 pack	262588-B21
	IP Console Expansion Module	262589-B21
	KVM 9 PIN Adapter (4 Pack)	149361-B21
	CPU to Server Console Cable, 12'	110936-B21
	CPU to Server Console Cable, 20'	110936-B22
	CPU to Server Console Cable, 40'	110936-B23
	CPU to Server Console Cable, 3'	110936-B24
	CPU to Server Console Cable, 7'	110936-B25
	CPU to Server Console Cable (Plenum Rated) 20'	149363-B21
	CPU to Server Console Cable (Plenum Rated) 40'	149364-B21
	IP CAT5 Cable 3', 4 pack	263474-B21
	IP CAT5 Cable 6', 8 pack	263474-B22
	IP CAT5 Cable 12', 8 pack	263474-B23
IP CAT5 Cable 20', 4 pack	263474-B24	
IP CAT5 Cable 40', 1 pack	263474-B25	
Switch Box Connector Kit (115V)	144007-001	
Switch Box Connector Kit (230V)	144007-002	
Switch Box Connector Kit (high voltage) (Int'l)	144007-B33	

## Options

<b>Rack Options for Compaq Rack 7000, 9000 and 10000 Series</b> (continued)	1U Rack Keyboard & Drawer (Carbon) <b>Note:</b> The 1U Rack Keyboard & Drawer (PN 257054-xx1) is to be used with the Keyboards for Racks with Trackball (PN 158649-xxx).	257054-xx1
<b>Country Code Key (for 1U Rack Keyboard &amp; Drawer (PN 257054-xx1))</b>		
XX = 001	US	XX = 091 Norway
XX = 031	UK	XX = 101 Sweden/Finland
XX = 041	Germany	XX = 111 Switzerland
XX = 051	France	XX = 131 Portugal
XX = 061	Italy	XX = 181 Belgium
XX = 071	Spain	XX = 291 Japan
XX = 081	Denmark	XX = B31 International
<b>Keyboards for Racks with Trackball</b>		
		158649-xx1
<b>Country Code Key (for Keyboard with Hot Keys and Trackball (PN 158649-xxx))</b>		
XX = 001	US	XX = 009 Norway
XX = 003	UK	XX = 010 Sweden/Finland
XX = 004	Germany	XX = 011 Switzerland
XX = 005	France	XX = 013 Portugal
XX = 006	Italy	XX = 018 Belgium
XX = 007	Spain	XX = 291 Japan
XX = 008	Denmark	XX = B36 International
<b>TFT5600 Rack Keyboard Monitor</b>		
		221546-xx1
<b>Country Code Key (for TFT5600 RKM Rack Keyboard Monitor (PN 221546-xx1))</b>		
XX = 001	US	XX = 091 Norway
XX = 031	UK	XX = 101 Sweden/Finland
XX = 041	Germany	XX = 111 Switzerland
XX = 051	France	XX = 131 Portugal
XX = 061	Italy	XX = 181 Belgium
XX = 071	Spain	XX = 291 Japan
XX = 081	Denmark	XX = B31 International
PCI KVM Management Card Kit		232983-B21
PCI KVM Remote Card Kit		232984-B21
Local Access Cable Kit		232985-B21
1U Rack Keyboard Drawer		338056-B21
Input Device Adjustable Rails		287139-B21
Input Device Telco Rail		287138-B21
Keyboard/Monitor/Mouse extension cables		169989-001

## Options

Service and Support Offerings (CarePak Services)	<i>Hardware Services 4-Hour On-site Service</i>	
	4-Hour On-site Service, 9-Hour x 5-Day Coverage, 3 Years (6-3 Part Number for US)	168975-002
	4-Hour On-site Service, 9-Hour x 5-Day Coverage, 3 Years (6-3 Part Number for Canada)	168975-122
	4-Hour On-site Service, 9-Hour x 5-Day Coverage, 3 Years (6-3 Part Number for EMEA)	159549-022
	4-Hour On-site Service, 24-Hour x 7-Day Coverage, 3 Years (6-3 Part Number for US)	168978-002
	4-Hour On-site Service, 24-Hour x 7-Day Coverage, 3 Years (6-3 Part Number for Canada)	168978-122
	4-Hour On-site Service, 24-Hour x 7-Day Coverage, 3 Years (6-3 Part Number for EMEA)	159550-022
	<b><i>Installation &amp; Start-up Services</i></b>	
	Hardware Installation (6-3 Part Number for US)	168981-002
	Hardware Installation (6-3 Part Number for Canada)	168981-122
	Hardware Installation (6-3 Part Number for EMEA)	Quote
	Pre-installation planning; unpack equipment, install most current Compaq HW options internal to server at same time of server installation; assemble & test; basic user information provided; Install & configure basic functionality of Win NT Operating System plus up to 2 days start-up activity, configure print & network access services, and orientation (6-3 Part Number for U.S.)	240017-002
	Pre-installation planning; unpack equipment, install most current Compaq HW options internal to server at same time of server installation; assemble & test; basic user information provided; Install & configure basic functionality of Novell NetWare Operating System plus up to 2 days start-up activity, configure print & network access services, and orientation (6-3 Part Number for U.S.)	240012-002
	Server Installation and Set-Up (Installation of the server, installation of the appropriate service tools, check to ensure device SW and firmware is loaded and installation of the operating system software (6-3 Part Number for EMEA) (Hardware installation plus two days O/S start-up activity (install, configure, network access & orientation).)	204565-022
	<b><i>Business Solutions Priority Service Plan – Priority Level</i></b>	
	9 x 5 HW, 4-hr response, Next Available HW engineer; 9 x 5 Bronze Software Support 2-hr response for Windows NT, Windows 2000, Professional, Server or Advanced Server Operating System, Next Available Specialist (6-3 Part Number for U.S.)	239952-002
	9 x 5 HW, 4-hr response, Next Available HW engineer; 9 x 5 Bronze Software Support 2-hr response for Novell NetWare Operating System, Next Available Specialist (6-3 Part Number for U.S.)	239992-002
	5 x 9 4-hour H/W, 5 x 9 2-hour O/S (NT & NetWare), Three Years (6-3 Part Number for Canada)	168982-122
	5 x 9 4-hour H/W, 5 x 9 2-hour O/S (NT & NetWare), Three Years (6-3 Part Number for EMEA)	179838-022
	<b><i>Business Solutions Priority Service Plan – Priority 24 Level</i></b>	
	24 x 7 HW, 4-hr response, Named HW engineer; 24 x 7 Bronze Software Support, 2-hr response for Windows NT, Windows 2000, Professional, Server or Advanced Server Operating System, Next Available Specialist (6-3 Part Number for U.S.)	239954-002
	24 x 7 HW, 4-hr response, Named HW engineer; 24 x 7 Bronze Software Support, 2-hr response for Novell NetWare Operating System, Next Available Specialist (6-3 Part Number for U.S.)	239994-002
	7 x 24 4-hour H/W, 7 x 24 2-hour O/S (NT & NetWare), Three years (6-3 Part Number for EMEA)	179843-022
	<b><i>Business Solutions Priority Service Plan – Priority Plus Level</i></b>	
	7 x 24 4-hour H/W, 7 x 24 1-hour O/S (NT & NetWare), SPS account review, Three Years (6-3 Part Number for Canada)	168984-122

## Options

<b>Service and Support Offerings</b> (CarePac Services) <i>(continued)</i>	<b><i>Business Solutions Priority Service Plan – Priority Silver</i></b>	
	24 x 7 HW, 4-hr response, Named HW engineer; 24 x 7 Silver Software Support, 1-hr response, Monday – Friday, 8AM – 5PM local time, 2-hr response after hours for Windows NT, Windows 2000, Professional, Server or Advanced Server Operating System, Technical Account Manager, Technical Newsletter, SW activity review, proactive patch notification, 1 System Healthcheck per year (6-3 Part Number for U.S.)	239956-002
	24 x 7 HW, 4-hr response, Named HW engineer; 24 x 7 Silver Subsequent System Support for Windows NT, Windows 2000, Professional, Server or Advanced Server Operating System (6-3 Part Number for U.S.)	239958-002
	24 x 7 HW, 4-hr response, Named HW engineer; 24 x 7 Silver Software Support, 1-hr response, Monday – Friday, 8AM – 5PM local time, 2-hr response after hours for Novell NetWare Operating System, Technical Account Manager, Technical Newsletter, SW activity review (6-3 Part Number for U.S.)	239996-002
	24 x 7 HW, 4-hr response, Named HW engineer; 24 x 7 Silver Subsequent System Support for Novell NetWare Operating System (6-3 Part Number for U.S.)	239998-002
	<b><i>Business Solutions Priority Service Plan – Priority Gold</i></b>	
	24 x 7 HW, 4-hr response, Named HW engineer; 24 x 7 Gold Software Support, 30 minute response (critical), 1-hr response (non-critical), for Windows NT, Windows 2000, Professional, Server or Advanced Server Operating System, Technical Account Manager, Technical Newsletter, SW activity review, proactive revision management, Upgrade impact planning, 2 System Healthcheck per year (6-3 Part Number for U.S.)	239960-002
	24 x 7 HW, 4-hr response, Named HW engineer; 24 x 7 Gold Subsequent System Support for Windows NT, Windows 2000, Professional, Server or Advanced Server Operating System (6-3 Part Number for U.S.)	239962-002
	24 x 7 HW, 4-hr response, Named HW engineer; 24 x 7 Gold Software Support, 30 minute response (critical), 1-hr response (non-critical), for Novell NetWare Operating System, Technical Account Manager, Technical Newsletter, SW activity review, Upgrade impact planning (6-3 Part Number for U.S.)	240000-002
	24 x 7 HW, 4-hr response, Named HW engineer; 24 x 7 Gold Subsequent System Support for Novell NetWare Operating System (6-3 Part Number for U.S.)	240002-002
	<b><i>Business Solutions Priority Service Plan – Priority Gold Executive</i></b>	
	24 x 7 HW, 2-hr response, Named HW engineer; 24 x 7 Gold Software Support, 30 minute response (critical), 1-hr response (non-critical), for Windows NT, Windows 2000, Professional, Server or Advanced Server Operating System, Technical Account Manager, Technical Newsletter, SW activity review, proactive revision management, Upgrade impact planning, 2 System Healthcheck per year (6-3 Part Number for U.S.)	239964-002
24 x 7 HW, 2-hr response, Named HW engineer; 24 x 7 Gold Subsequent System Support for Windows NT, Windows 2000, Professional, Server or Advanced Server Operating System (6-3 Part Number for U.S.)	239966-002	
24 x 7 HW, 2-hr response, Named HW engineer; 24 x 7 Gold Software Support, 30 minute response (critical), 1-hr response (non-critical), for Novell NetWare Operating System, Technical Account Manager, Technical Newsletter, SW activity review, Upgrade impact planning (6-3 Part Number for U.S.)	240004-002	
24 x 7 HW, 2-hr response, Named HW engineer; 24 x 7 Gold Subsequent System Support for Novell NetWare Operating System (6-3 Part Number for U.S.)	240006-002	
<b><i>Business Solutions Priority Service Plan – Priority Premier Level</i></b>		
7 x 24 2-hour H/W, 7 x 24 1-hour O/S (NT & NetWare), SPS Account Review, Proactive Management Review, named S/w rep, Three Years (6-3 Part Number for Canada)	168985-122	
<b><i>Business Solutions Priority Service Plan – Priority Executive Premier Level</i></b>		
7 x 24 2-hour H/W, 7 x 24 30-minute O/S (NT & NetWare), SPS Account Review, Proactive Management Review, named S/w rep, Three Years (6-3 Part Number for Canada)	168986-122	
<b>Note:</b> For more information, customer/resellers can contact <a href="http://www.compaq.com/services">http://www.compaq.com/services</a> .		

## Memory

### Compaq ProLiant ML750 700 MHz-1MB Model 2-1024

#### STANDARD MEMORY

1024-MB buffered SDRAM DIMM memory (two kits of 2 x 256-MB DIMMs)

#### STANDARD MEMORY PLUS OPTIONAL MEMORY

Up to 13,312-MB of SDRAM DIMM memory is available with the installation of optional SDRAM DIMM memory expansion kits.

#### STANDARD MEMORY REPLACED WITH OPTIONAL MEMORY

Up to 16,384-MB of SDRAM DIMM memory is available with the removal of standard memory and the installation of optional SDRAM DIMM memory expansion kits.

Note: 16 slots with 2 per bank. Up to 16-GB memory total. Memory must be added in banks of two DIMMs. Charts do not represent all possible configurations.

Memory		Slot															
		1	2	3	4	5	6	7	8	9	10	11	12	13	14	15	16
Standard	1024 MB	256 MB	256 MB	256 MB	256 MB	Empty	Empty	Empty	Empty	Empty	Empty	Empty	Empty	Empty	Empty	Empty	Empty
Optional	13,312 MB	256 MB	256 MB	256 MB	256 MB	Empty	1024 MB	1024 MB	1024 MB	1024 MB	1024 MB	1024 MB	1024 MB	1024 MB	1024 MB	1024 MB	1024 MB
Maximum	16,384 MB	1024 MB	1024 MB	1024 MB	1024 MB	1024 MB	1024 MB	1024 MB	1024 MB	1024 MB	1024 MB	1024 MB	1024 MB	1024 MB	1024 MB	1024 MB	1024 MB

Following are memory options available from Compaq:

- 2048-MB 100MHz ECC SDRAM DIMMs Memory Expansion Kit (2 x 1024-MB) 328809-B21
- 1024-MB 100MHz ECC SDRAM DIMMs Memory Expansion Kit (2 x 512-MB) 328808-B21
- 512-MB 100MHz ECC SDRAM DIMMs Memory Expansion Kit (2 x 256-MB) 328807-B21
- 256-MB 100MHz ECC SDRAM DIMMs Memory Expansion Kit (2 x 128-MB) 328806-B21

## Memory

### Compaq ProLiant ML750 900 MHz-2MB Model 2048 & 700 MHz-2MB Model 4-2048

#### STANDARD MEMORY

2048-MB buffered SDRAM DIMM memory (two kits of 2 x 512-MB DIMMs)

#### STANDARD MEMORY PLUS OPTIONAL MEMORY

Up to 14,336-MB of SDRAM DIMM memory is available with the installation of optional SDRAM DIMM memory expansion kits.

#### STANDARD MEMORY REPLACED WITH OPTIONAL MEMORY

Up to 16,384-MB of SDRAM DIMM memory is available with the removal of standard memory and the installation of optional SDRAM DIMM memory expansion kits.

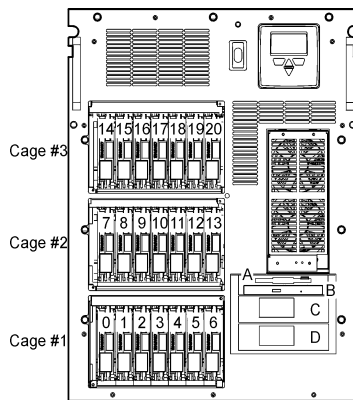
Note: 16 slots with 2 per bank. Up to 16-GB memory total. Memory must be added in banks of two DIMMs. Charts do not represent all possible configurations.

Memory		Slot															
		1	2	3	4	5	6	7	8	9	10	11	12	13	14	15	16
Standard	2048 MB	512 MB	512 MB	512 MB	512 MB	Empty	Empty	Empty	Empty	Empty	Empty	Empty	Empty	Empty	Empty	Empty	Empty
Optional	14,336 MB	512 MB	512 MB	512 MB	512 MB	1024 MB	1024 MB	1024 MB	1024 MB	1024 MB	1024 MB	1024 MB	1024 MB	1024 MB	1024 MB	1024 MB	1024 MB
Maximum	16,384 MB	1024 MB	1024 MB	1024 MB	1024 MB	1024 MB	1024 MB	1024 MB	1024 MB	1024 MB	1024 MB	1024 MB	1024 MB	1024 MB	1024 MB	1024 MB	1024 MB

Following are memory options available from Compaq:

- 2048-MB 100MHz ECC SDRAM DIMMs Memory Expansion Kit (2 x 1024-MB) 328809-B21
- 1024-MB 100MHz ECC SDRAM DIMMs Memory Expansion Kit (2 x 512-MB) 328808-B21
- 512-MB 100MHz ECC SDRAM DIMMs Memory Expansion Kit (2 x 256-MB) 328807-B21
- 256-MB 100MHz ECC SDRAM DIMMs Memory Expansion Kit (2 x 128-MB) 328806-B21

## Storage



**Key:**

- 0 - 20 Three Internal Drive Cages (supports 21 x 1" Wide Ultra2/Ultra3 SCSI Hot Plug Disk Drives)
- A Integrated 1.44-MB Diskette Drive (Low-Profile)
- B Integrated 24x IDE CD-ROM (Low-Profile)
- C, D 2 x 5.25" removable media bays

## DRIVE SUPPORT

	Quantity Supported	Position Supported	Controller
<b>Removable Media</b>			
1.44-MB Diskette Drive	Up to 1	A	Integrated
24x IDE CD-ROM Drive	Up to 1	B	Integrated IDE
SCSI CD-ROM Drive	Up to 2	C, D	Optional Dual Channel Wide-Ultra SCSI-3 Adapter Optional Wide-Ultra SCSI-3 Adapter
<b>Hard Drives</b>			
<i>Wide Ultra3 Hot Pluggable Drives (internal drive support)</i>			
<b>1-inch</b>	Up to 21	0-20	Smart Array 532 Controller Smart Array 4250ES Controller (cableless) Smart Array 5304/128 Controller Smart Array 5304/256 Controller Smart Array 5312 Controller 64-bit/66-MHz Single Channel Wide Ultra3 SCSI Adapter 64-bit/66-MHz Dual Channel Wide Ultra3 SCSI Adapter
72.8-GB 10,000 rpm			
36.4-GB 10,000 rpm			
18.2-GB 10,000 rpm			
36.4-GB 15,000 rpm			
18.2-GB 15,000 rpm			
<b>External Storage</b>			
StorageWorks Enclosure 4300 Family (supports Ultra2/Ultra3 drives only)	Up to 40	External	Smart Array 532 Controller Smart Array 5304/128 Controller Smart Array 5304/256 Controller Smart Array 5312 Controller 64-bit/66-MHz Single Channel Wide Ultra3 SCSI Adapter 64-bit/66-MHz Dual Channel Wide Ultra3 SCSI Adapter
StorageWorks Raid Array 4100 Kit	Up to 10 (with optional StorageWorks Hubs or Switches)	External	64-Bit/66-MHz Fibre Channel Host Adapter
MSA 1000	Please see the MSA 1000 QuickSpecs below to determine configuration requirements	External	Please see the MSA 1000 QuickSpecs (URL below) for the latest list of supported HBA's
MSA 1000: <a href="http://www5.compaq.com/products/quickspecs/11033_div/11033_div.HTML">http://www5.compaq.com/products/quickspecs/11033_div/11033_div.HTML</a>			



## Storage

### DRIVE SUPPORT *(continued)*

#### Maximum Storage Capacity – (StorageWorks Enclosure SCSI Attached)

Internal	1.528 TB (21 x 72.8-GB Wide Ultra3 SCSI 1" Drives)
External	40.768 TB hot plug SCSI storage (40 x (14 x 72.8-GB 1" Wide Ultra3 SCSI Drives))
Total	42.296 TB

#### Maximum Storage Capacity – (External RAID Array 4100 Attached)

Internal	1.528 TB (21 x 72.8-GB Wide Ultra3 SCSI 1" Drives)
External	8.736 TB (72.8-GB Wide Ultra3 SCSI 1" Drives x 12 x 10 enclosures)
Total	10.264 TB

#### Tape Drives

Note: For an up-to-date listing of the latest O/S Support details for each of the Tape Drives listed below, please see the following:

[http://www5.compaq.com/products/quickspecs/North\\_America/10233.html](http://www5.compaq.com/products/quickspecs/North_America/10233.html) (North America)

<http://www5.compaq.com/products/quickspecs/Division/10233.html> (Division/World Wide)

Note: For an up-to-date listing of the latest O/S Support details for each of the Tape Storage Systems listed below, please see the following:

[http://www5.compaq.com/products/quickspecs/North\\_America/10809.html](http://www5.compaq.com/products/quickspecs/North_America/10809.html) (North America)

<http://www5.compaq.com/products/quickspecs/Division/10809.html> (Division/World Wide)

	Quantity Supported	Position Supported	Controller
Internal 12/24-GB DAT	Up to 2	C & D	64-bit/66-MHz Dual Channel Wide Ultra3 SCSI Adapter 64-bit/66-MHz Single Channel Wide Ultra3 SCSI Adapter
Internal 40/80-GB DLT Enhanced	1	C & D	64-bit/66-MHz Dual Channel Wide Ultra3 SCSI Adapter 64-bit/66-MHz Single Channel Wide Ultra3 SCSI Adapter
SDLT 110/220-GB, Internal	1	C & D	64-bit/66-MHz Dual Channel Wide Ultra3 SCSI Adapter 64-bit/66-MHz Single Channel Wide Ultra3 SCSI Adapter
40/80-GB DLT	Up to 3	C, D	64-bit/66-MHz Dual Channel Wide Ultra3 SCSI Adapter 64-bit/66-MHz Single Channel Wide Ultra3 SCSI Adapter
SDLT 110/220-GB, External	Up to 2	External	64-bit/66-MHz Dual Channel Wide Ultra3 SCSI Adapter 64-bit/66-MHz Single Channel Wide Ultra3 SCSI Adapter SAN Access Module for Smart Array 5302 Controller
AIT 100-GB Tape Drive AIT 50-GB Tape Drive AIT 35-GB LVD Tape Drive	1	External	Dual Channel Wide-Ultra SCSI-3 Adapter Wide-Ultra SCSI-3 Adapter 64-bit/66-MHz Dual Channel Wide Ultra3 SCSI Adapter 64-bit/66-MHz Single Channel Wide Ultra3 SCSI Adapter
HP StorageWorks AIT 35 GB Autoloader	Up to 1 (for a single HBA) Up to 2 (for a dual HBA)	External	64-bit/66-MHz Dual Channel Wide Ultra3 SCSI Adapter 64-bit/66-MHz Single Channel Wide Ultra3 SCSI Adapter
SSL2020 AIT Library	2 drives per SCSI channel	External	64-Bit/66-MHz Dual Channel Wide Ultra3 SCSI Adapter SAN Access Module for Smart Array 5302 Controller
MSL5026DLX (40/80GB DLT-based) MSL5026SL (SDLT-based) Library MSL5026S2 (SDLT-based) Library MSL5052SL (SDLT-based) Library MSL5052S2 (SDLT-based) Library MSL5030L1 (LTO-based) Library MSL5060L1 (LTO-based) Library	2 drives per SCSI channel	External	64-Bit Dual Channel Wide Ultra2 SCSI Adapter 64-Bit/66-MHz Dual Channel Wide Ultra3 SCSI Adapter

## Storage

### DRIVE SUPPORT *(continued)*

#### Tape Drives *(continued)*

	Quantity Supported	Position Supported	Controller
DLT1 1280 SuperLoader	Up to 2	External	64-bit/66-MHz Dual Channel Wide Ultra3 SCSI Adapter 64-bit/66-MHz Single Channel Wide Ultra3 SCSI Adapter
ESL9198SL ESL9322S2 ESL9322L1 ESL9326SL ESL9595SL ESL9595S2 ESL9595L1	Please see the ESL Library QuickSpecs below to determine configuration requirements	External	64-bit/66-MHz Dual Channel Wide Ultra3 SCSI Adapter
ESL9198SL:	<a href="http://www5.compaq.com/products/quickspecs/10867_div/10867_div.HTML">http://www5.compaq.com/products/quickspecs/10867_div/10867_div.HTML</a>		
ESL9326SL:	<a href="http://www5.compaq.com/products/quickspecs/10868_div/10868_div.HTML">http://www5.compaq.com/products/quickspecs/10868_div/10868_div.HTML</a>		
ESL9595SL:	<a href="http://www5.compaq.com/products/quickspecs/11332_div/11332_div.HTML">http://www5.compaq.com/products/quickspecs/11332_div/11332_div.HTML</a>		
ESL9322S2:	<a href="http://www5.compaq.com/products/quickspecs/11437_div/11437_div.HTML">http://www5.compaq.com/products/quickspecs/11437_div/11437_div.HTML</a>		
ESL9322L1:	<a href="http://www5.compaq.com/products/quickspecs/11445_div/11445_div.HTML">http://www5.compaq.com/products/quickspecs/11445_div/11445_div.HTML</a>		
ESL9595S2:	<a href="http://www5.compaq.com/products/quickspecs/11436_div/11436_div.HTML">http://www5.compaq.com/products/quickspecs/11436_div/11436_div.HTML</a>		
ESL9595L1:	<a href="http://www5.compaq.com/products/quickspecs/11435_div/11435_div.HTML">http://www5.compaq.com/products/quickspecs/11435_div/11435_div.HTML</a>		

## Power Specifications

### POWER SPECIFICATIONS

Part Number	303964-001
Spare Kit	328776-001
Operational Input Voltage Range (V rms)	90 to 264
Frequency Range (Nominal) (Hz)	47 to 63 (50/60)

Nominal Input Voltage (Vrms)	100	115	208	220	230	240
Max Rated Output Wattage Rating	500	500	1150	1150	1150	1150
Nominal Input Current (A rms)	7.8	6.7	8.4	7.8	7.4	7.0
Max Rated Input Wattage Rating (Watts)	769	758	1716	1691	1667	1643
Max. Rated VA (Volt-Amp)	785	773	1751	1726	1701	1676
Efficiency (%)	65	66	67	68	69	70
Power Factor	0.98	0.98	0.98	0.98	0.98	0.98
Leakage Current (mA)	0.43	0.50	0.90	0.96	1.00	1.04
Maximum Inrush Current (A peak)	50	50	50	50	50	50
Maximum Inrush Current duration (mS)	20	20	20	20	20	20

### 208V OR HIGHER SYSTEM SPECIFICATIONS

#### ML750 Fully Configured \*

Up to 8 Processors, 16 Memory Slots, 21 Hard Drives, 11 PCI Slots, and 3 Hot Plug Power Supplies

Nominal Input Voltage (Vrms)	208	220	230	240
Fully Loaded System Input Wattage (W)	1406	1386	1366	1346
Fully Loaded System Input Current (A rms)	6.9	6.4	6.1	5.7
Fully Loaded System Thermal (BTU-Hr)	4796	4725	4657	4590
Fully Loaded System VA (Volt-Amp)	1435	1414	1394	1374
System Leakage with all power supplies loaded (mA)	2.71	2.87	3.00	3.13
System Inrush Current with all power supplies loaded (A)	150	150	150	150
Power cord requirements	Nema 5-15P to IEC320-C13		Option no./Spare no: See Power Cord chart	
	IEC320-C13 to IEC320-C14		Option no./Spare no: 142257-002/142258-B21	

## Power Specifications

### 100/115V SYSTEM SPECIFICATIONS

#### ML750 Fully Configured Example \*

With 6 Processors, 16 Memory Slots, 21 Hard Drives, 11 PCI Slots, and 3 Hot Plug Power Supplies

Nominal Input Voltage (Vrms)	100	115
Fully Loaded System Input Wattage (W)	1123	1106
Fully Loaded System Input Current (A rms)	11.5	9.8
Fully Loaded System Thermal (BTU-Hr)	3828	3770
Fully Loaded System VA (Volt-Amp)	1146	1128
System Leakage with all power supplies loaded (mA)	1.30	1.50
System Inrush Current with all power supplies loaded (A)	150	150
Power cord requirements	Nema 5-15P to IEC320-C13	Option no./Spare no: See Power Cord chart
	IEC320-C13 to IEC320-C14	Option no./Spare no: 142257-002/142258-B21

#### Notes:

\* To review typical system power ratings use the Active Answers Power Calculator which is available via the online tool located at URL:

<http://activeanswers.compaq.com/aaconfiguratorcode/>

To drill down to calculators:

- Click on: "ProLiant Servers"
- Click on the Server of interest. Example: ML750
- Click on: "Power Calculator" link (You may need to scroll down to see it.)

Power Cords (13 Cord Sets)	Power Cord Part Number
<b>Country</b>	
APD	139867-006
APD	100613-003
APD	100614-003
Australia	100611-007
Europe	100614-003
France	100614-003
Germany	100614-003
Japan	139867-006
PRC	139867-006
PRC	100613-003
PRC	100661-007
UK	100613-003
US	163719-002

## Technical Specifications

<b>System Unit</b>	<b>Dimensions (HxWxD)</b>	27.88 x 19.12 x 26.88 in/70.8 x 48.6 x 68.3 cm	
	<b>Weight</b>	150 lb/73 kg	
	2 Processors, 2 DIMMs, 2 Power Supplies, no drives, 1 I/O card		
	<b>Input Requirements</b> (per power supply)	Rated Input Voltage	100 to 120 VAC/200 to 240 VAC
		Rated Input Frequency	50 to 60 Hz
		Input Power	810W @ 110 VAC/1660W @ 220 VAC
		Rated Input Current	9.5A
	<b>BTU Rating</b> (Maximum output) (Note that the maximum heat output by the server is equal to the electrical power input.)	2623 Watts [8959 BTU/hr] (System is configured to draw maximum power)	
	<b>Power Supply Output Power</b> (per power supply)	Rated Steady-State Power	
		Maximum Peak Power	500W/1150W (lowline/highline)
<b>Temperature Range</b>	Operating	50° to 95° F at sea level, altitude de-rating of 1.8° F per 1,000 feet to 10,000 feet (10° to 35° C at sea level, altitude de-rating of 1° C per 300 m to 3,000 m)	
	Non-operating	-20° to 140° F/-29° to 60° C	
	Shipping	-22° to 122° F/-30° to 50° C	
<b>Relative Humidity</b> (non-condensing)	Operating	20% to 80%	
	Non-operating	5% to 90%	
<b>Maximum Wet Bulb Temperature</b>	101.7°F/38.7°C		
<b>Power Supply</b>	<b>1150/500W, Hot Plug Redundant</b> (2 standard)	Two or Three Redundant Power Supplies (optimized to provide full redundancy at 220 volts)	
	<b>Input Specifications</b>	Normal Line Voltage	100 to 120 VAC/200 to 240 VAC
		Range Input Line	90 to 132 VAC/180 to 265 VAC
		Frequency Range	47 to 63 Hz
		Power Factor	0.95
		Input Current	8 A at 100 VAC/10 A at 200 VAC
		Inrush Current	< 70 A at 132 VAC (cold start)
		Holdup Time	20 ms from zero crossing at 120 VAC
	<b>General Specifications</b>	Full Output Rating	104°F to 40°C and 5,000 ft/1,500 m 89.6°F to 32°C and 10,000 ft/3,000 m (derate linearly)
		Minimum Load	1 A on + 5 V output; 1 A on + 12 V output; 0.5 A on + 3.3 V output
	<b>Ambient Temperature Range</b>	Operating	50° to 104° F/10° to 40° C
		Storage	-40° to 149° F/-40° to 65° C
	<b>Dielectric Voltage Withstand</b>	Input to Output	3000 VAC/min
		Input to Ground	1500 VAC/min
	<b>Input Transient Susceptibility</b>	Common and Differential Mode (superimposed on AC line)	2500 V, 1µs, damped sinusoid 600 V, 10 µs pulse
Differential Mode		20% step change in AC input voltage	

## Technical Specifications

1.44-MB Diskette Drive	<b>Diskette Size</b>	3.5 in	
	<b>LED Indicators</b> (front panel)	Green	
	<b>Read/Write Capacity per Diskette</b> (high/low density)	1.44 MB/720 KB	
	<b>Drive Supported</b>	One	
	<b>Drive Height</b>	11mm	
	<b>Drive Rotation</b>	300 rpm	
	<b>Transfer Rate</b> (high/low)	500/250 Kb/s	
	<b>Bytes/Sector</b>	512	
	<b>Sectors/Track</b> (high/low)	18/9	
	<b>Tracks/Side</b> (high/low)	80/80	
	<b>Access Times</b>	Track-to-Track (high/low)	3/6 ms
		Average (high/low)	174/94 ms
		Settling Time	15 ms
Latency Average (high/low)		83/100 ms	
<b>Cylinders</b> (high/low)	80/80		
<b>Read/Write Heads</b>	Two		

Hot Plug Wide Ultra3 SCSI Hard Drives	72.8 GB 10K 232432-B22	<b>Capacity</b>	72837.2 MB
		<b>Height</b>	1 in/25.4 mm
	<b>Width</b>	4 in/101.6 mm	
	<b>Interface</b>	Wide Ultra3 SCSI	
	<b>Transfer Rate</b> Synchronous (Maximum)	160 MB/s	
	<b>Seek Time</b> (typical reads, including settling)	Single Track	0.7 ms
		Average	5.4 ms
		Full-Stroke	11 ms
		Rotational Speed	10,000 rpm
	<b>Physical Configuration</b>	Bytes/Sector	512
		Logical Blocks	142,264,000
		<b>Operating Temperature</b>	50° to 95° F/10° to 35° C
	36.4 GB 10K 176496-B22	<b>Capacity</b>	36419.2 MB
		<b>Height</b>	1 in/25.4 mm
	<b>Width</b>	4 in/101.6 mm	
	<b>Interface</b>	Wide Ultra3 SCSI	
	<b>Transfer Rate</b> Synchronous (Maximum)	160 MB/s	
	<b>Seek Time</b> (typical reads, including settling)	Single Track	0.7 ms
		Average	5.4 ms
		Full-Stroke	11 ms
		Rotational Speed	10,000 rpm
	<b>Physical Configuration</b>	Bytes/Sector	512
		Logical Blocks	71,132,000
<b>Operating Temperature</b>		50° to 95° F/10° to 35° C	

## Technical Specifications

Hot Plug Wide Ultra3 SCSI Hard Drives <i>(continued)</i>	18.2 GB 10K 142673-B22	<b>Capacity</b>	18209.3 MB	
		<b>Height</b>	1 in/25.4 mm	
		<b>Width</b>	4 in/101.6 mm	
		<b>Interface</b>	Wide Ultra3 SCSI	
		<b>Transfer Rate Synchronous (Maximum)</b>	160 MB/s	
		<b>Seek Time</b> (typical reads, including settling)	Single Track	0.7 ms
			Average	5.4 ms
			Full-Stroke	11 ms
		<b>Physical Configuration</b>	Rotational Speed	10,000 rpm
			Bytes/Sector	512
		<b>Operating Temperature</b>	Logical Blocks	35,565,080
				50° to 95° F/10° to 35° C
		36.4 GB 15K 232916-B22	<b>Capacity</b>	36419.2 MB
		<b>Height</b>	1 in/25.4 mm	
		<b>Width</b>	4 in/101.6 mm	
		<b>Interface</b>	Wide Ultra3 SCSI	
		<b>Transfer Rate Synchronous (Maximum)</b>	160 MB/s	
		<b>Seek Time</b> (typical reads, including settling)	Single Track	0.4 ms
			Average	3.8 ms
			Full-Stroke	8 ms
		<b>Physical Configuration</b>	Rotational Speed	15,000 rpm
			Bytes/Sector	512
		<b>Operating Temperature</b>	Logical Blocks	71,132,000
				50° to 95° F/10° to 35° C
		18.2 GB 15K 188122-B22	<b>Capacity</b>	18209.3 MB
		<b>Height</b>	1 in/25.4 mm	
		<b>Width</b>	4 in/101.6 mm	
		<b>Interface</b>	Wide Ultra3 SCSI	
		<b>Transfer Rate Synchronous (Maximum)</b>	160 MB/s	
		<b>Seek Time</b> (typical reads, including settling)	Single Track	0.4 ms
			Average	3.8 ms
			Full-Stroke	8 ms
		<b>Physical Configuration</b>	Rotational Speed	15,000 rpm
			Bytes/Sector	512
		<b>Operating Temperature</b>	Logical Blocks	35,565,080
				50° to 95° F/10° to 35° C

## Technical Specifications

Low-Profile 24X Max IDE CD-ROM Drive	Disk	Applicable Disk	CD-DA, CD-ROM (Mode 1 and 2) CD-XA, CD-I (Mode 2, Form 1 and 2) CD-I Ready, CD Extra, Video CD, CD-Bridge Photo CD (Single and Multi-session) CD-WO
		Capacity	550 MB (Mode 1, 12 cm) 640 MB (Mode 2, 12 cm)
		Diameter	4.7 in, 3.15 in/12 cm, 8 cm
		Rotational Speed	4200 rpm maximum
		Center Hole	0.6 in/15 mm diameter
		Thickness	1.2 mm
		Track Pitch	1.6 µm
		Block Size	Mode 0 2,368, 2,352 bytes Mode 1 2,352, 2,340, 2,336, 2,048 bytes Mode 2 2,352, 2,340, 2,336, 2,048 bytes
		Interface	IDE (ATAPI)
		Access Times (typical)	Random < 140 ms Full-Stroke < 300 ms
		Data Transfer Rate	Sustained 150 KB/s (sustained 1X) Burst 2100 to 4800 KB/s
		Cache Buffer	128 KB
		Start-up Time (typical)	< 10 seconds
		Stop Time	< 5 seconds
	Operating Conditions	Temperature 41° to 120° F/5° to 55° C Humidity 10% to 80%	
	Dimensions	(HxWxD, maximum) 0.5 x 5.15 x 5.11 in/1.27 x 13.08 x 13.0 cm Weight < 0.75 lb/< 340 g	
Smart Array 5312 Controller	Data Compatible with all Smart Array Controllers	Yes	
	Instant Upgrades to other Smart Array Controllers	Yes	
	Consistent Software Manageability Tools	Yes	
	PCI Bus	64-bit, 133 MHz PCI-X	
	PCI Peak Data Transfer Rate	1066 MB/s	
	SCSI Protocols Supported	Ultra3, Ultra2	
	SCSI Peak Data Transfer Rate	320 MB/s total, 160 MB/s per channel	
	Channels	2, 4	
	SCSI Ports (external/internal)	2 channel model: 2/2	
	Drives Supported (maximum)	28	
	Cache	128-MB battery-backed read-write (optional 256 MB upgrade available)	
	RAID Support	0, 1, 1+0, 5	
	Logical Drives (maximum)	32	
	Online Configuration	Yes	
	Online Capacity Expansion	Yes	
	Logical Drive Capacity Extension	Yes	
	Online Stripe Size Migration	Yes	
	Online RAID Level Migration	Yes	
	Online Spare Support	Yes	
Automatic Data Recovery	Yes		
Drive Roaming	Yes		
Redundant Controllers	No		



## Technical Specifications

Smart Array 5300 Controller	<b>Data Compatible with all Smart Array Controllers</b>	Yes
	<b>Instant Upgrades to other Smart Array Controllers</b>	Yes
	<b>Consistent Software Manageability Tools</b>	Yes
	<b>PCI Bus</b>	64 bit, 66 MHz
	<b>PCI Peak Data Transfer Rate</b>	533 MB/s
	<b>SCSI Protocols Supported</b>	Ultra3, Ultra2, Wide-Ultra
	<b>SCSI Peak Data Transfer Rate</b>	640 MB/s total, 160 MB/s per channel
	<b>Channels</b>	2, 4
	<b>SCSI Ports (external/internal)</b>	2 channel model: 2/2 4 channel model: 4/2
	<b>Drives Supported (maximum)</b>	56
	<i>Note: Drives Supported (maximum) is based on use of StorageWorks Enclosure 4200/4300 family (14 hard disk drive enclosure).</i>	
	<b>Cache</b>	256, 128, 64 or 32-MB battery-backed read-write
	<b>RAID Support</b>	0, 1, 1+0, 5, Advanced Data Guarding
	<i>Note: For customers who have purchased the SA-5304/128 a quick firmware upgrades to enable the technology will be available from <a href="http://www.compaq.com/smartarray">http://www.compaq.com/smartarray</a>.</i>	
	<i>Note: RAID Support: Advanced Data Guarding (RAID ADG) is available with 128-MB versions of the SA-5300 only.</i>	
	<b>Logical Drives (maximum)</b>	32
	<b>Online Configuration</b>	Yes
	<b>Online Capacity Expansion</b>	Yes
	<b>Logical Drive Capacity Extension</b>	Yes
	<b>Online Stripe Size Migration</b>	Yes
	<b>Online RAID Level Migration</b>	Yes
	<b>Online Spare Support</b>	Yes
	<b>Automatic Data Recovery</b>	Yes
<b>Drive Roaming</b>	Yes	
<b>Redundant Controllers</b>	No	

## Technical Specifications

Smart Array 4250ES Controller	Data Compatible with all Smart Array Controllers	Yes
	Instant Upgrades to other Smart Array Controllers	Yes
	Consistent Software Manageability Tools	Yes
	PCI Bus	64 bit, 33 MHz
	PCI Peak Data Transfer Rate	266 MB/s
	SCSI Protocols Supported	Ultra2, Wide-Ultra
	SCSI Peak Data Transfer Rate	120 MB/s total, 40 MB/s per channel
	Channels	3
	SCSI Ports (external/internal)	0/3
	Drives Supported (maximum)	21
	<i>Note: Drives Supported (maximum) is based on use in ProLiant ML750 (21 internal disk drives).</i>	
	Cache	64-MB battery-backed read-write
	RAID Support	0, 1, 1+0, 4, 5
	Logical Drives (maximum)	32
	Online Configuration	Yes
	Online Capacity Expansion	Yes
	Logical Drive Capacity Extension	Yes
	Online Stripe Size Migration	Yes
	Online RAID Level Migration	Yes
	Online Spare Support	Yes
	Automatic Data Recovery	Yes
Drive Roaming	Yes	
Redundant Controllers	Yes	
Smart Array 532 Controller	Data Compatible with all Smart Array Controllers	Yes
	Instant Upgrades to other Smart Array Controllers	Yes
	Consistent Software Manageability Tools	Yes
	PCI Bus	64 bit, 66 MHz
	PCI Peak Data Transfer Rate	533 MB/s
	SCSI Protocols Supported	Ultra3, Ultra2
	SCSI Peak Data Transfer Rate	160 MB/s
	Channels	2
	SCSI Ports (external/internal)	1/1
	Drives Supported (maximum)	14 or 21 if internal channel connected to an internal drive bay
	<i>Note: Drives Supported (maximum) is based on use of StorageWorks Enclosure 4300 family (14 hard disk drive enclosure).</i>	
	Cache	32-MB cache engine
	RAID Support	0, 1, 1+0, 5
	Logical Drives (maximum)	32
	Online Configuration	Yes
	Online Capacity Expansion	Yes
	Logical Drive Capacity Extension	Yes
	Online Stripe Size Migration	Yes
	Online RAID Level Migration	Yes
	Online Spare Support	Yes
	Automatic Data Recovery	Yes
Drive Roaming	Yes	
Redundant Controllers	No	

## Technical Specifications

<b>NC3134 Fast Ethernet NIC 64 PCI Dual Port 10/100</b>	<b>Network Interface</b>	10Base-T/100Base-TX		
	<b>Compatibility</b>	IEEE 802.3/802.3u compliant		
	<b>Data Transfer Method</b>	64-bit/66-MHz bus-master PCI, compatible with 64/33, 32/66, and 32/33		
	<b>Network Transfer Rate</b>	10Base-T (Half-Duplex), 10Base-2	10 Mb/s	
		10Base-T (Full-Duplex)	20 Mb/s	
		100Base-TX (Half-Duplex)	100 Mb/s	
		100Base-TX (Full-Duplex)	200 Mb/s	
	<b>Connector</b>	Dual RJ-45		
	<b>I/O Address and Interrupt</b>	Automatic Configuration		
	<b>Cable Support</b>	10Base-T	Categories 3, 4 or 5 UTP (2 or 4 pair); up to 328 feet (100 meters)	
100Base-TX		Category 5 UTP (2 pair); up to 328 feet (100 meters)		
<b>OS Driver Support</b>	Microsoft Windows 2000 and NT 4.x Novell NetWare 4.x and 5.x Linux SCO OpenServer 5.x SCO UnixWare 7.x OS/2 Warp Server Solaris v.8			

<b>64-bit/66-MHz Single Channel Wide Ultra3 SCSI Adapter</b>	<b>Drives Supported</b>	Up to 14 SCSI devices		
	<b>Storage Capacity</b>	254.8 GB		
	<b>Data Transfer Method</b>	64-bit/66-MHz PCI bus-master		
	<b>Maximum SCSI Channel Transfer Rate</b>	160 MB/s per channel		
	<b>Maximum Transfer Rate per PCI Bus (peak)</b>	532 MB/s per channel		
	<b>SCSI Protocols</b>	Wide Ultra3 SCSI		
		Wide Ultra2 SCSI		
		Wide-Ultra SCSI-3		
		Fast-Wide SCSI-2		
		Fast SCSI-2		
<b>Electrical Protocol</b>	Low Voltage Differential (LVD)			
<b>SCSI Termination</b>	Active Termination			
<b>External SCSI Connectors</b>	One 68-pin Wide-Ultra SCSI-3 connector			
<b>Internal SCSI Connectors</b>	Two 68-pin Wide-Ultra SCSI-3 connectors (one LVD and one SE)			
	One 50-pin Narrow Ultra connector			

## Technical Specifications

64-bit/66-MHz Dual Channel Wide Ultra3 SCSI Adapter	<b>Drives Supported</b>	Up to 28 SCSI devices (14 per channel)
	<b>Storage Capacity</b>	1.019 TB
	<b>Data Transfer Method</b>	64-bit/66-MHz PCI bus-master
	<b>Maximum SCSI Channel Transfer Rate</b>	160 MB/s per channel
	<b>Maximum Transfer Rate per PCI Bus (peak)</b>	532 MB/s per channel
	<b>SCSI Protocols</b>	Wide Ultra3 SCSI Wide Ultra2 SCSI Wide-Ultra SCSI-3 Fast SCSI-2
	<b>Electrical Protocol</b>	Low Voltage Differential (LVD)
	<b>SCSI Termination</b>	Active Termination
	<b>External SCSI Connectors</b>	Two 68-pin VHDCI connectors
	<b>Internal SCSI Connectors</b>	Two 68-Pin Wide Ultra SCSI-3 connectors One 50-Pin Narrow Ultra connector

<b>Compaq Rack 10842</b> (42U)(optional)	<b>Dimensions</b>	<b>Total Cabinet</b>	<b>Shipping</b>	<b>Color</b>
	Height	78.7 in/199.9 cm	85in/215.9 cm	
	Depth	39.691 in/100.82 cm	48 in/121.92 cm	Graphite Metallic – doors
	Width	31.5 in/80.01cm	43.5 in/110.49 cm	Carbon – frame
	Weight	295 lb/133.8 kg	335lb/151.95 kg	

<b>Compaq Rack 10647</b> (47U)(optional)	<b>Dimensions</b>	<b>Total Cabinet</b>	<b>Shipping</b>	<b>Color</b>
	Height	89.96 in/228.5 cm	95.47 in/242.49 cm	
	Depth	39.691 in/100.82 cm	48 in/121.92 cm	Graphite Metallic – doors
	Width	24 in/60.96 cm	32 in/81.28 cm	Carbon – frame
	Weight	245 lb/111 kg	284 lb/129 kg	

<b>Compaq Rack 10642</b> (42U)(optional)	<b>Dimensions</b>	<b>Total Cabinet</b>	<b>Shipping</b>	<b>Color</b>
	Height	78.7 in/199.90 cm	86.22 in/219 cm	
	Depth	39.691 in/100.82 cm	48 in/121.92 cm	Graphite Metallic – doors
	Width	24 in/60.96 cm	32 in/81.28 cm	Carbon – frame
	Weight	253 lb/114.84 kg	325 lb/147.52 kg	

<b>Compaq Rack 10636</b> (36U)(optional)	<b>Dimensions</b>	<b>Total Cabinet</b>	<b>Shipping</b>	<b>Color</b>
	Height	68.6 in/174.24 cm	75.25 in/191.14 cm	
	Depth	39.691 in/100.82 cm	48 in/121.92 cm	Graphite Metallic – doors
	Width	24 in/60.96 cm	32 in/81.28 cm	Carbon – frame
	Weight	220 lb/100 kg	272 lb/123 kg	

<b>Compaq Rack 10622</b> (22U)(optional)	<b>Dimensions</b>	<b>Total Cabinet</b>	<b>Shipping</b>	<b>Color</b>
	Height	43 in/109.22 cm	52.25 in/132.72 cm	
	Depth	39.691 in/100.82 cm	48 in/121.92 cm	Graphite Metallic – doors
	Width	24 in/60.96 cm	32 in/81.28 cm	Carbon – frame
	Weight	176 lb/79.89 kg	225 lb/102.13 kg	

### Technical Specifications

<b>Compaq Rack 9842</b> (42U)(optional)	<b>Dimensions</b>	<b>Total Cabinet</b>	<b>Shipping</b>	<b>Color</b>
	Height	78.7 in/199.9 cm	86.22 in/219 cm	
	Depth	35.8 in/90.932 cm	48 in/121.92 cm	Opal
	Width	31.5 in/80.01 cm	38.8 in/98.55 cm	
	Weight	374 lb/170 kg	440 lb/200 kg	

<b>Compaq Rack 9142</b> (42U)(optional)	<b>Dimensions</b>	<b>Total Cabinet</b>	<b>Shipping</b>	<b>Color</b>
	Height	78.7 in/199.9 cm	83.38 in/211.79 cm	
	Depth	35.8 in/90.932 cm	48 in/121.92 cm	Opal
	Width	23.7 in/60.2 cm	32 in/81.28 cm	
	Weight	253 lb/114.84 kg	325 lb/147.52 kg	

<b>Compaq Rack 9136</b> (36U)(optional)	<b>Dimensions</b>	<b>Total Cabinet</b>	<b>Shipping</b>	<b>Color</b>
	Height	68.6 in/174.24 cm	75.25 in/191.14 cm	
	Depth	35.8 in/90.932 cm	48 in/121.92 cm	Opal
	Width	23.7 in/60.2 cm	32 in/81.28 cm	
	Weight	165 lb/75 kg	234 lb/106 kg	

<b>Compaq Rack 9122</b> (22U)(optional)	<b>Dimensions</b>	<b>Total Cabinet</b>	<b>Shipping</b>	<b>Color</b>
	Height	43 in/109.22 cm	52.25 in/132.72 cm	
	Depth	35.8 in/90.932 cm	48 in/121.92 cm	Opal
	Width	24 in/60.96 cm	32 in/81.28 cm	
	Weight	176 lb/79.89 kg	225 lb/102.13 kg	

© 2002 Compaq Information Technologies Group, LP.

Compaq, the Compaq logo, ActiveAnswers, Compaq Insight Manager, CarePaq, ProLiant, ROMPaq, SANworks, SmartStart and StorageWorks are trademarks of Compaq Information Technologies Group, L.P. in the U.S. and/or other countries. Microsoft and Windows NT are registered trademarks or trademarks of Microsoft Corporation in the U.S. and/or other countries. Intel and Pentium are registered trademarks or trademarks of Intel Corporation in the U.S. and/or other countries. Novell and NetWare are registered trademarks or trademarks of Novell, Inc. in the U.S. and/or other countries. SuSE and its logo are registered trademarks or trademarks of SuSE AG in the U.S. and/or other countries. Linux is a registered trademark or trademark of Linus Torvalds in the U.S. and/or other countries. Caldera and SCO are trademarks or registered trademarks of Caldera International, Inc. in the U.S.A. and other countries. Unix and UnixWare are registered trademarks or trademarks of The Open Group in the U.S. and/or other countries. Red Hat is a registered trademark of Red Hat Inc., in the U.S.A. and other countries. All other product names mentioned herein may be trademarks of their respective companies. All other product names mentioned herein may be trademarks of their respective companies.

Compaq shall not be liable for technical or editorial errors or omissions contained herein. The information is provided "as is" without warranty of any kind and is subject to change without notice. The warranties for Compaq products are set forth in the express limited warranty statements accompanying such products. Nothing herein should be construed as constituting an additional warranty.