

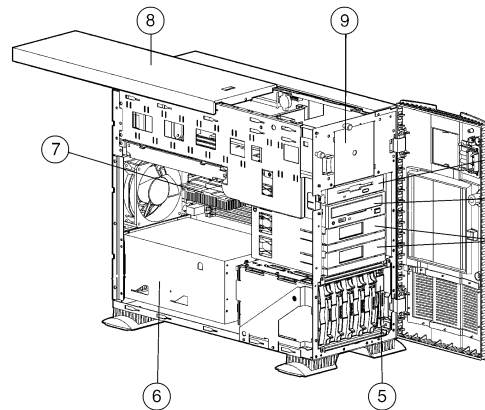
## Overview

### What's New

- Intel Pentium® III 1.0 GHz Processor (dual capability)

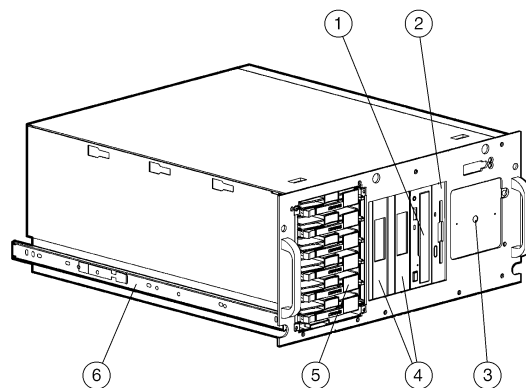
### AT A GLANCE

- The ultimate workgroup server designed for demanding workgroups and remote/branch sites that need a powerful and highly available platform that is easy to use
- Dual Peer PCI Architecture
- ServerWorks LE 3.0 Chipset with 133-MHz Front Side Bus
- 256-KB second level ECC cache standard (full speed)
- 128-MB PC133-MHz Registered ECC SDRAM memory expandable to 4 GB
- Six expansion PCI slots: Four 64-bit and two 32-bit
- Compaq NC3163 Fast Ethernet NIC (embedded) 10/100 WOL (Wake On LAN)
- Integrated Dual Channel Wide Ultra2 SCSI Adapter
- Wide Ultra2/Ultra3 Drive Cage standard
- Support for up to six 1-inch Wide Ultra2/Ultra3 SCSI hot plug drives
- 436.8-GB maximum internal storage (6 x 72.8 GB internal hot plug drive cage only)
- Internal mass storage capacity up to 509.6 GB (6 x 72.8 GB (HP) + 2 x 36.4 GB (NHP))
- Single thumb screw system board removal for fast and easy servicing
- Compaq Insight Manager, SmartStart, Integrated Remote Console (IRC) and Automatic Server Recovery-2 (ASR-2)
- Protected by Compaq Services, including a three-year, Next Business Day on-site, limited, Global warranty and extended Pre-Failure Warranty which covers processors, memory and disk drives — Certain restrictions and exclusions apply. Consult the Compaq Customer Support Center at 1-800-345-1518 for details.



### Tower Model

1. Front Bezel
2. 1.44-MB Diskette Drive
3. High speed IDE CD-ROM Drive
4. Two available Removable Media Bays
5. Wide Ultra2/Ultra3 Hot Plug Drive Cage (6 x 1")
6. Power Supply
7. Processor
8. Small access panel
9. Optional Integrated Management Display (IMD) slot



### Rack Model

1. High Speed IDE CD-ROM Drive
2. 1.44-MB Diskette Drive
3. Optional Integrated Management Display (IMD) slot
4. Two available Removable Media Bays
5. Wide Ultra2/Ultra3 Hot Plug Drive Cage (6 x 1")
6. Side Rails

### Standard Features

<b>Processor</b>	Intel Pentium III 1.0 GHz Processor		
<b>Cache Memory</b>	256-KB second level ECC cache (full speed)		
<b>Upgradability</b>	Upgradable to dual processing		
<b>Memory</b>	Standard	128 MB (PC133-MHz Registered ECC SDRAM DIMM memory)	
	Maximum	4 GB	
<b>Network Controller</b>	Compaq NC3163 Fast Ethernet NIC (embedded) 10/100 WOL (Wake On LAN)		
<b>Expansion Slots</b>	I/O (6 Total, 6 available)	PCI Voltage :	
	64-bit/33 MHz PCI	4	5 Volt or universal cards
	32-bit/33 MHz PCI	2	5 Volt or universal cards
<b>Storage Controller</b>	Integrated Dual Channel Wide Ultra2 SCSI Adapter (upgradable with optional Integrated Smart Array Controller)		
<b>Storage</b>	Diskette Drives	1.44 MB	
	CD-ROM	32x or 40x IDE CD-ROM Drive	
	Hard Drives	None	
	Maximum Internal Storage	436.8 GB (6 x 72.8 GB 1" internal hot plug drive cage only) 509.6 GB (6 x 72.8 GB 1" internal hot plug drive cage + 2 x 36.4 internal non-hot plug drives in the removable media bays)	
<b>Interfaces</b>	Parallel	1	
	Serial	2	
	Pointing Device (Mouse)	1	
	Graphics	1	
	Hot Plug Keyboard	1	
	External SCSI (for tape only)	1	
	Network RJ-45	1	
<b>Graphics</b>	Integrated ATI Rage IIC Video Controller with 4-MB Video Memory		
<b>Form Factor</b>	Tower or Rack (5U)		

## Standard Features

<b>Compaq Software</b>	Compaq <i>Insight Manager</i> ™	The comprehensive system management tool that monitors the operation of Compaq servers and clients
	Compaq <i>Insight Manager XE</i> ™	Compaq Insight Manager XE leverages the power of the Internet to provide web-based systems management, and plays a key role in Compaq's strategy to simplify IT management. Compaq Insight Manager XE reduces systems management cost, improves operational efficiency and effectiveness, and minimizes systems downtime.
	Compaq Management Agents	The Compaq Management Agents ( <a href="http://www.compaq.com/products/servers/management/agents.html">http://www.compaq.com/products/servers/management/agents.html</a> ) form the foundation for Compaq's Intelligent Manageability strategy. They provide direct, browser-based access to in-depth instrumentation built into Compaq servers, workstations, desktops, and portables, and send alerts to Compaq Insight Manager XE and other management consoles in case of subsystem or environmental failures. For additional information about the Compaq Management Agents and other management product from Compaq, please visit the management website at <a href="http://www.compaq.com/manage">http://www.compaq.com/manage</a>
	Compaq <i>SmartStart</i> ™	The server configuration and software integration tool from Compaq. <b>SmartStart version supported (minimum): SmartStart 4.90 (up to 1.0 GHz)</b>
	Array Configuration Utility (ACU) with Smart Array Controllers	Same easy to use yet powerful graphical user interface (GUI) configuration utility and easy to navigate wizards for all Smart Array Controllers
	Array Configuration Utility (ACU-XE) with Smart Array Controllers	Compaq Configuration Utility XE (ACU-XE) web-based software for Smart Array products and the <i>StorageWorks</i> ™ RAID Array 4x00 by Compaq systems allows for ease of configuration and expandability for your disk arrays, remote configuration capabilities, and multi-platform support.
<b>Industry Standard Compliance</b>	ACPI 2.0 Compliant PCI 2.2 Compliant WOL Support Microsoft Logo certifications	
<b>Manageability</b>	Compaq Insight Manager Compaq Insight Manager XE Compaq Remote Lights-Out Edition (optional) Automatic Server Recovery-2 (ASR-2) Integrated Remote Console (IRC) Hardware Remote Console Full Remote Server Reboot Capability Reset and Failure Sequence Replay Host Hardware Independent Operating System Independent Communication is out-of-band Integrated Management Display (IMD) (Optional) Integrated Management Log Revision History Table Automatic Revision Tracking Drive Parameter Tracking (with Smart Array controller) Dynamic Sector Repairing (with Smart Array controller) Recovery Server Option (optional) Off-Line Backup Processor capability Pre-Failure Warranty (covers processors, hard drives and memory)	

## Standard Features

---

<b>Security</b>	Power-on password Keyboard password Diskette drive control Diskette boot control QuickLock, Network Server Mode Parallel and serial interface control Administrator's password Disk configuration lock
-----------------	---

---

<b>Power Supply</b>	325 Watt-CE Mark Compliant Optional Hot Plug Redundant Power Supply Capability
---------------------	---

---

<b>Required Cabling</b>	For required cabling information, refer to the Compaq Web site at <a href="http://www.compaq.com/products/servers/proliantML370">http://www.compaq.com/products/servers/proliantML370</a> Note: This Web site is available in English only.
-------------------------	--

---

<b>OS Support</b>	Microsoft Windows NT Server Microsoft Windows 2000 Novell NetWare Novell NetWare Small Business Suite SCO OpenServer SCO UnixWare IBM OS/2 Warp Family LINUX (RedHat, S.U.S.E., TurboLinux Server, Caldera eServer) Sun Solaris Intel Platform Edition
-------------------	--

Note: For a more complete and up-to-date listing of supported OS's and versions, please visit our OS Support Matrix at: <ftp://ftp.compaq.com/pub/products/servers/os-support-matrix-310.pdf>

Note: For an up-to-date listing of the latest drivers available for the Compaq ProLiant ML370, please see: <http://www.compaq.com/support/files/server/us/index.html>.

<b>Service and Support</b>	Compaq Services provides a three-year, limited warranty, including Pre-Failure Warranty (coverage of hard drives, memory and processors) fully supported by a worldwide network of resellers and service providers and toll-free 7 x 24 hardware technical phone support. In addition, available service offerings include:
----------------------------	---

A full range of CarePak packaged hardware and software services:

- Installation and start up
- Extended coverage hours and enhanced response times
- System management and performance services
- Availability and recovery services

Note: Certain restrictions and exclusions apply. Consult the Compaq Customer Support Center at 1-800-345-1518 for details. For more information, customers/resellers can contact [www.compaq.com/services](http://www.compaq.com/services).

### Models

<b>ML370T01 P1000-256KB, 128MB</b>  <i>193689-xx1</i>	<b>Processor</b>	Intel Pentium III 1.0 GHz Processor standard (up to 2 supported)
	<b>Cache Memory</b>	256-KB second-level ECC cache
	<b>Memory</b>	128 MB (Standard) to 4 GB (Maximum) PC133-MHz Registered ECC SDRAM DIMM
	<b>Network Controller</b>	Compaq NC3163 Fast Ethernet NIC (embedded) 10/100 WOL
	<b>Storage Controller</b>	Integrated Dual Channel Wide Ultra2 SCSI Adapter
	<b>Hard Drive</b>	None ship standard
	<b>Internal Storage</b>	436.8 GB maximum hot plug (with optional hard drives) 509.6 GB maximum hot plug & non-hot plug (with optional hard drives)
	<b>Optical Drive</b>	32x or 40x IDE CD-ROM Drive
	<b>Form Factor</b>	Tower (5U)
<b>ML370R01 P1000-256KB, 128MB</b>  <i>193691-xx1</i>	<b>Processor</b>	Intel Pentium III 1.0 GHz Processor standard (up to 2 supported)
	<b>Cache Memory</b>	256-KB second-level ECC cache
	<b>Memory</b>	128 MB (Standard) to 4 GB (Maximum) PC133-MHz Registered ECC SDRAM DIMM
	<b>Network Controller</b>	Compaq NC3163 Fast Ethernet NIC (embedded) 10/100 WOL
	<b>Storage Controller</b>	Integrated Dual Channel Wide Ultra2 SCSI Adapter
	<b>Hard Drive</b>	None ship standard
	<b>Internal Storage</b>	436.8 GB maximum hot plug (with optional hard drives) 509.6 GB maximum hot plug & non-hot plug (with optional hard drives)
	<b>Optical Drive</b>	32x or 40x IDE CD-ROM Drive
	<b>Form Factor</b>	Rack (5U)
<b>Country Code Key</b>	XX=00	U.S.
	XX=01	Australia
	XX=42	EURO
	XX=03	UK
	XX=04	German (not available for Rack Models – please use EURO part number)
	XX=05	France (not available for Rack Models - please use EURO part number)
	XX=37	APD
	XX=AA	PRC

### Options

<b>ProLiant ML370 Unique Options</b>	Compaq ML370 Tower to Rack Conversion Kit	157006-B21
	Compaq Hot Plug Redundant Power Supply Option Kit (U.S.)	480083-001
	Compaq Hot Plug Redundant Power Supply Option Kit (Australia)	480083-011
	Compaq Hot Plug Redundant Power Supply Option Kit (EURO)	480083-021
	Compaq Hot Plug Redundant Power Supply Option Kit (UK)	480083-031
	Compaq Hot Plug Redundant Power Supply Option Kit (Japan)	480083-291
	Compaq Hot Plug Redundant Power Supply (48 VDC)	158395-B21
<b>Processor</b>	Pentium III P1000-256K Processor Option Kit	187602-B21
	<i>Note: This processor option kit (PN 187602-B21) supports the ProLiant ML370, ProLiant DL380, and ProLiant CL380 servers.</i>	
	Pentium III P933- 256K Processor Option Kit	161086-B21
	<i>Note: This processor option kit (PN 161086-B21) supports the ProLiant ML370, ProLiant DL380, and ProLiant ML350 (1<sup>st</sup> generation) servers.</i>	
<b>Processor</b>	Pentium III P866-256K Processor Option Kit	161085-B21
	<i>Note: This processor option kit (PN 161085-B21) supports the ProLiant ML370, ProLiant DL380, and ProLiant ML350 (1<sup>st</sup> generation) servers.</i>	
	Pentium III P800-256K Processor Option Kit	161084-B21
<i>Note: This processor option kit (PN 161084-B21) supports the ProLiant ML370, ProLiant DL380, and ProLiant ML350 (1<sup>st</sup> generation) servers.</i>		
<b>Memory (DIMMs)</b>	1024-MB PC133-MHz Registered ECC SDRAM DIMM Memory Option Kit	128280-B21
	512-MB PC133-MHz Registered ECC SDRAM DIMM Memory Option Kit	128279-B21
	256-MB PC133-MHz Registered ECC SDRAM DIMM Memory Option Kit	128278-B21
	128-MB PC133-MHz Registered ECC SDRAM DIMM Memory Option Kit	128277-B21
	64-MB PC133-MHz Registered ECC SDRAM DIMM Memory Option Kit	128276-B21
<b>Optical Drives</b>	12X DVD-ROM Drive Option Kit (Carbon)	217053-B21
<b>Hard Drives</b>	<b>Wide Ultra3 SCSI – Universal Hot Plug</b>	
	72.8-GB Wide Ultra3 SCSI 10,000 rpm Drive (1")	232432-B22
	36.4-GB Wide Ultra3 SCSI 10,000 rpm Drive (1")	176496-B22
	18.2-GB Wide Ultra3 SCSI 10,000 rpm Drive (1")	142673-B22
	36.4-GB Wide Ultra3 SCSI 15,000 rpm Drive (1")	232916-B22
	18.2-GB Wide Ultra3 SCSI 15,000 rpm Drive (1")	188122-B22
	<b>Wide Ultra3 SCSI – Non-Hot Plug</b>	
	36.4-GB Wide Ultra3 SCSI 10,000 rpm Drive (1")	176497-B21
	18.2-GB Wide Ultra3 SCSI 10,000 rpm Drive (1")	142674-B21
	<i>Note: Wide Ultra3 Drives require an optional Wide Ultra3 Controller to support Ultra3 transfer rates</i>	

## Options

<b>Storage Controllers</b>	Integrated Smart Array Controller Module	128293-B21
	<i>Note: The Integrated Smart Array Controller Module (128293-B21) does not support LUN&gt;0 devices.</i>	
	Smart Array 431 Controller	127695-B21
	Smart Array 431 Controller (Japan)	127695-291
	Smart Array 5302/32 Controller	166207-B21
	Smart Array 5302/32 Controller (Japan)	166207-291
	Smart Array 5302/64 Controller	124992-B21
	Smart Array 5302/64 Controller (Japan)	124992-291
	Smart Array 5304/128 Controller	158939-B21
	Smart Array 5304/128 Controller (Japan)	158939-291
	Ultra3 Channel Expansion Module for Smart Array 5300 Controller	153507-B21
	128MB Cache Module for Smart Array 5302 Controller	153506-B21
	Advanced Data Guarding Module for Smart Array 5302 Controller	199371-B21
	64-bit/66-MHz Dual Channel Wide Ultra3 SCSI Adapter	129803-B21
	64-bit/66-MHz Dual Channel Wide Ultra3 SCSI Adapter (Japan)	129803-291
	64-bit/66-MHz Single Channel Wide Ultra3 SCSI Adapter	154457-B21
64-bit/66-MHz Single Channel Wide Ultra3 SCSI Adapter (Japan)	154457-291	
<b>Communications</b>	Compaq NC3123 Fast Ethernet NIC PCI 10/100 WOL	174830-B21
	Compaq NC3134 Fast Ethernet NIC 64 PCI Dual Port 10/100	138603-B21
	Compaq NC3135 Fast Ethernet Module Dual 10/100 Upgrade Module for NC3134 and NC3131	138604-B21
	Compaq NC6132 Gigabit Module 1000 SX Upgrade Module for NC3134 and NC3131	338456-B23
	Compaq NC6133 Gigabit Module 1000LX Upgrade Module for NC3134 and NC3131	338456-B24
	Compaq NC3133 Fast Ethernet Module 100FX Upgrade Module for NC3134 and NC3131	338456-B25
	Compaq NC6136 Gigabit Server Adapter, 64-bit/66MHz, PCI, 1000 SX	203539-B21
	Compaq NC7131 Gigabit Server Adapter, 64-bit/66MHz, PCI, 10/100/1000-T	158575-B21
	Compaq NC7132 10/100/1000-T Upgrade Module for NC3134 and NC3131	153543-B21
	<i>Note: Any NC31XX, NC61XX, or NC71XX NIC can be used for redundancy with the embedded NC3163 Network Controller</i>	
<b>Redundant Options</b>	Compaq Hot Plug Redundant Power Supply Option Kit (U.S.)	480083-001
	Compaq Hot Plug Redundant Power Supply Option Kit (Australia)	480083-011
	Compaq Hot Plug Redundant Power Supply Option Kit (EURO)	480083-021
	Compaq Hot Plug Redundant Power Supply Option Kit (UK)	480083-031
	Compaq Hot Plug Redundant Power Supply Option Kit (Japan)	480083-291
	Compaq Hot Plug Redundant Power Supply (48 VDC)	158395-B21
<b>Management Options</b>	Integrated Management Display Option (opal)	127409-B21
	Compaq Remote Insight Lights-Out Edition (NA, LA)	157866-001
	Compaq Remote Insight Lights-Out Edition (EURO)	157866-021
	Compaq Remote Insight Lights-Out Edition (APD, Japan)	157866-371
<b>Security</b>	Compaq AXL300 Accelerator PCI Card for ProLiant Servers	227933-B21

## Options

Monitors		
	Flat Panel TFT8030 Color Monitor Two-Tone	234362-xxx
	TFT8020 18" Flat Panel Monitor (opal, bulked packed 2 monitor heads per box)	173610-xxx
	Flat Panel TFT7020 Color Monitor Two-Tone	253216-xxx
	Flat Panel TFT5030 Color Monitor Two-Tone (Carbon/Silver)	228134-xxx
	Flat Panel TFT5015 Color Monitor (Opal)	234043-xxx
	Flat Panel TFT5015 Color Monitor Two-Tone (Carbon/Silver)	234044-xxx
	P1220 CRT Monitor Two-Tone (Carbon/Silver)	244374-xxx
	P920 CRT Monitor Two-Tone (Carbon/Silver)	244375-xxx
	P720 CRT Monitor Two-Tone (Carbon/Silver)	244373-xxx
	V720 CRT Monitor Two-Tone (Carbon/Silver)	232944-xxx
	V720 CRT Monitor (Opal)	232943-xxx
	V570 Color Monitor Two-Tone (Carbon/Silver)	228113-xxx
	V570 Color Monitor	228114-xxx
	S920 Color Monitor (Opal)	240325-xxx
	S920 Color Monitor Two-Tone (Carbon/Silver)	240326-xxx
	S720 Color Monitor (Opal) (Lite-On)	239286-xxx
	<a href="#">Note: Available in North America, Canada, and Greater China only</a>	
	S720 Color Monitor Two-tone (Carbon/Silver) (Lite-On)	239287-xxx
	<a href="#">Note: Available in North America, Canada, and Greater China only</a>	
	S720 Color Monitor (Opal) (Samsung)	238992-xxx
	<a href="#">Note: Available in APD, Latin America, EMEA, and Japan only</a>	
	S720 Color Monitor Two-tone (Carbon/Silver) (Samsung)	238993-xxx
	<a href="#">Note: Available in APD, Latin America, EMEA, and Japan only</a>	
	TFT5010R Flat Panel Monitor (NA)	217248-001
	TFT5010R Flat Panel Monitor (Int'l)	217248-B31
	TFT5010R Flat Panel Monitor (Japan)	217248-291
	<a href="#">Note: Monitors larger than 17" may be too heavy for use in rack systems.</a>	

### CRT Country Code Key

#### NORTH AMERICA (NA) / LATIN AMERICA (LA)

Dash #	Description
-001	NA Kit with US Power Cord
-002	Carbon model with U.S. Power Cord
-003	Touch Screen model with U.S. Power Cord
-004	NAFTA model with US Power Cord (Made in Mexico)
-005	NA Kit with Powered Speakers
-006	GSA model with U.S. Power Cord
-007	NH MPR model with U.S. power cord (Made in Mexico)
-B24	TCO model without power cord (Digital Classic)
-201	EH model for Brazil (older Brazil models used -B29)
-202	EH model for Brazil Carbon (older Brazil models used -B29)
-C91	EH model for Mercosur countries
-C92	EH model for Mercosur countries Carbon
-B29	EH / ALADI model for Latin America

[Note: All NA/LA models above are NH](#)



## Options

### CRT Country Code Key (continued)

#### EUROPE, MIDDLE EAST AND AFRICA (EMEA)

Dash #	Description
-021	NH / TCO with Eurocord (DCE Hub)
-022	NH / MPR with Eurocord (DCE Hub) (India)
-023	NH Carbon model with Eurocord (DCE Hub)
-024	NH Touch Screen model with Eurocord (DCE Hub)
-025	NH Kit with Speakers and Eurocord
-A91	NH / TCO without power cord (Dubai hub)
-A92	NH / MPR without power cord (Dubai hub)
-031	NH / TCO with UK Cord (UK Hub)
-032	NH / MPR with UK Cord (UK Hub)
-033	NH / TCO carbon with UK Cord
-035	NH Kit with Speakers and UK Cord
-B21	SH / MPR without power cord (S. Africa Hub)
-B23	SH / TCO without power cord (S. Africa Hub)
-B27	SH / TCO Carbon without power cord (S. Africa Hub)

#### PACIFIC / AUSTRALIA (APD)

Dash #	Description
-B22	NH / MPR without power cord
-B24	NH / TCO without power cord
-B25	EH Carbon model without power cord
-B26	NH Touch Screen model without power cord
-011	SH model with AUZ/NZ power cord
-015	SH model with speakers AUZ/NZ power cord
-012	SH Carbon model with AUZ/NZ power cord
-AD1	NH model for Korea
-AD2	NH Carbon model for Korea
-B28	EH model without power cord
-B35	EH model with speakers no power cord (Singapore)

#### GREATER CHINA (GCD)

Dash #	Description
-AA1	NH / China Kit with CCIB label (Local Sales)
-AA2	NH/ Carbon China Kit with CCIB label (Local Sales)
-KA1	NH / China Kit with CCIB label (External Sales/Bundles in HK)
-AB1	NH/Taiwan kit, made in Taiwan

#### JAPAN (CKK)

Dash #	Description
-291	NH / Japan Kit with 3-2 pin adapter
-292	NH Carbon Japan Kit with 3-2 pin adapter

## Options

TFT Country Code Key	EUROPE, MIDDLE EAST & AFRICA (EMEA)
Dash #	Description
-021	Europe
-031	UK
<b>NORTH AMERICA</b>	
Dash #	Description
-001	NA
-B24	All NA/LA models
<b>APD</b>	
Dash #	Description
-011	Australia/NZ
<b>JAPAN (CKK)</b>	
Dash #	Description
-291	Japan

Tape Drives	Note: In order to install certain tape drives internally, you may need to remove the rails that come standard on the drives and then re-insert the screws in the mounting holes. Mounting screws are shipped standard with server.
<b>Internal and External DAT Tape Drives</b>	
Internal 12/24-GB DAT Drive (opal)	295513-B22
Internal 12/24-GB DAT Drive (opal) (Japan)	295513-292
Note: Please see the Compaq 12/24 GB DAT Drive QuickSpecs for additional options such as cassettes and for an up-to-date listing of the latest O/S Support details, please see the following: <a href="http://www5.compaq.com/products/quickspecs/10239_div/10239_div.HTML">http://www5.compaq.com/products/quickspecs/10239_div/10239_div.HTML</a> (Division/World Wide) <a href="http://www5.compaq.com/products/quickspecs/10239_na/10239_na.HTML">http://www5.compaq.com/products/quickspecs/10239_na/10239_na.HTML</a> (North America)	
Internal 20/40-GB DAT DDS-4 Tape Drive	157769-B21
External 20/40-GB DAT DDS-4 Tape Drive	157770-001
External 20/40-GB DAT DDS-4 Tape Drive (Int'l)	157770-B31
External 20/40-GB DAT DDS-4 Tape Drive (Japan)	157770-291
Note: Please see the Compaq 20/40-GB DAT Tape Drive QuickSpecs for additional options such as host bus adapters, controllers, cassettes, and for an up-to-date listing of the latest O/S Support details, please see the following: <a href="http://www5.compaq.com/products/quickspecs/10426_div/10426_div.HTML">http://www5.compaq.com/products/quickspecs/10426_div/10426_div.HTML</a> (Division/World Wide) <a href="http://www5.compaq.com/products/quickspecs/10426_na/10426_na.HTML">http://www5.compaq.com/products/quickspecs/10426_na/10426_na.HTML</a> (North America)	
<b>Internal and External AIT Tape Drives</b>	
Internal AIT 35-GB, LVD Tape Drive (Carbon)	216884-B21
External AIT 35-GB,LVD Tape Drive (Carbon)	216885-001
External AIT 35-GB,LVD Tape Drive (Carbon) (Int'l)	216885-B31
External AIT 35-GB,LVD Tape Drive (Carbon) (Japan)	216885-291
Note: Please see the Compaq AIT 35GB, LVD Tape Drive QuickSpecs for additional options such as adapters, controllers, and cassettes, and for an up-to-date listing of the latest O/S Support details, please see the following: <a href="http://www5.compaq.com/products/quickspecs/10712_div/10712_div.HTML">http://www5.compaq.com/products/quickspecs/10712_div/10712_div.HTML</a> (Division/World Wide) <a href="http://www5.compaq.com/products/quickspecs/10712_na/10712_na.HTML">http://www5.compaq.com/products/quickspecs/10712_na/10712_na.HTML</a> (North America)	
Internal AIT 50-GB Tape Drive	157766-B21
External AIT 50-GB Tape Drive	157767-001
External AIT 50-GB Tape Drive (Int'l)	157767-B31
External AIT 50-GB Tape Drive (Japan)	157767-291
Note: Please see the Compaq AIT 50GB Tape Drive QuickSpecs for additional options such as adapters, controllers, and cassettes, and for an up-to-date listing of the latest O/S Support details, please see the following: <a href="http://www5.compaq.com/products/quickspecs/10425_div/10425_div.HTML">http://www5.compaq.com/products/quickspecs/10425_div/10425_div.HTML</a> (Division/World Wide) <a href="http://www5.compaq.com/products/quickspecs/10425_na/10425_na.HTML">http://www5.compaq.com/products/quickspecs/10425_na/10425_na.HTML</a> (North America)	

## Options

Tape Drives <i>(continued)</i>	<b>Internal and External DLT / SDLT Tape Drives</b>	
	Internal 20/40-GB DLT Drive (opal)	340743-B22
	Internal 20/40-GB DLT Drive (opal) (Japan)	340743-292
	External 20/40-GB DLT Drive (opal)	340744-B22
	External 20/40-GB DLT Drive (opal) (Japan)	340744-292
	Note: Please see the Compaq 20/40-GB DLT Drive QuickSpecs for additional options such as data and cleaning cartridges, and for an up-to-date listing of the latest O/S Support details, please see the following: <a href="http://www5.compaq.com/products/quickspecs/10234_div/10234_div.HTML">http://www5.compaq.com/products/quickspecs/10234_div/10234_div.HTML</a> (Division/World Wide) <a href="http://www5.compaq.com/products/quickspecs/10234_na/10234_na.HTML">http://www5.compaq.com/products/quickspecs/10234_na/10234_na.HTML</a> (North America)	
	External 40/80-GB DLT Enhanced Drive	146197-B22
	External 40/80-GB DLT Enhanced Drive (Japan)	146197-292
	Note: Please see the Compaq 40/80-GB DLT Drive QuickSpecs for additional options such as host bus adapters, controllers, cassettes, and for an up-to-date listing of the latest O/S Support details, please see the following: <a href="http://www5.compaq.com/products/quickspecs/10658_div/10658_div.HTML">http://www5.compaq.com/products/quickspecs/10658_div/10658_div.HTML</a> (Division/World Wide) <a href="http://www5.compaq.com/products/quickspecs/10658_na/10658_na.HTML">http://www5.compaq.com/products/quickspecs/10658_na/10658_na.HTML</a> (North America)	
	SDLT 110/220 Internal, All	192106-B21
	SDLT 110/220 External, NA	192103-001
	SDLT 110/220 External, Int'l	192103-B31
	SDLT 110/220 External, Japan	192103-291
	Note: Please see the Compaq SDLT 110/220GB Tape Drive QuickSpecs for additional options such as adapters, controllers, and media, and for an up-to-date listing of the latest O/S Support details, please see the following: <a href="http://www5.compaq.com/products/quickspecs/10772_div/10772_div.HTML">http://www5.compaq.com/products/quickspecs/10772_div/10772_div.HTML</a> (Division/World Wide) <a href="http://www5.compaq.com/products/quickspecs/10772_na/10772_na.HTML">http://www5.compaq.com/products/quickspecs/10772_na/10772_na.HTML</a> (North America)	
	<b>Hot- Plug Tape Drives</b> (Supported in Hot Plug drive bays)	
	Internal 20/40-GB DAT, Hot Plug (Carbon)	215488-B21
	Internal AIT 35-GB, LVD, Hot Plug (Carbon)	216886-B21
	Internal AIT 50-GB, Hot Plug (Carbon)	215487-B21
	Note: The Hot Plug Tape Drive are supported in two 1" drive bays and are also supported internally by the StorageWorks 4200/4300 families and the TA1000 AIT Tape Array Library. Please see the Compaq Hot Plug Tape QuickSpecs for additional options such as controllers and adapters <a href="http://www5.compaq.com/products/quickspecs/10785_div/10785_div.HTML">http://www5.compaq.com/products/quickspecs/10785_div/10785_div.HTML</a> (Division/World Wide) <a href="http://www5.compaq.com/products/quickspecs/10785_na/10785_na.HTML">http://www5.compaq.com/products/quickspecs/10785_na/10785_na.HTML</a> (North America)	
	<b>Internal and External DAT Autoloader</b>	
	20/40-GB DAT 8 Cassette Autoloader External	166505-001
	20/40-GB DAT 8 Cassette Autoloader External (Int'l)	166505-B31
	20/40-GB DAT 8 Cassette Autoloader External (Japan)	166505-291
	Note: Please see the Compaq 20/40-GB DAT DDS-4 8 Cassette Autoloader QuickSpecs for additional options such as adapters, controllers, and cassettes, and for an up-to-date listing of the latest O/S Support details, please see the following: <a href="http://www5.compaq.com/products/quickspecs/10518_div/10518_div.HTML">http://www5.compaq.com/products/quickspecs/10518_div/10518_div.HTML</a> (Division/World Wide) <a href="http://www5.compaq.com/products/quickspecs/10518_na/10518_na.HTML">http://www5.compaq.com/products/quickspecs/10518_na/10518_na.HTML</a> (North America)	

## Options

### Tape Storage Enclosures and Arrays

Note: Compaq Tape Storage Enclosures and Arrays are compatible with Compaq Internal tape drive options. Please see the QuickSpecs for each Tape Enclosure and Array Model to check for tape drive compatibility. The URL's are provided below.

#### **3U RM Storage Enclosure**

3U RM Storage Enclosure, Model 0	230603-B21
3U RM Storage Enclosure, Model 2 AIT	230604-B21
3U RM Storage Enclosure, Model 2 DLT	230605-B21
3U RM Storage Enclosure, Model 2 SDLT	230606-B21

Note: Please see the Compaq 3U RM Storage Enclosure QuickSpecs for additional options such as adapters, controllers, and cassettes, and for an up-to-date listing of the latest O/S Support details, please see the following: [http://www5.compaq.com/products/quickspecs/10854\\_div/10854\\_div.HTML](http://www5.compaq.com/products/quickspecs/10854_div/10854_div.HTML) (Division/World Wide) [http://www5.compaq.com/products/quickspecs/10854\\_na/10854\\_na.HTML](http://www5.compaq.com/products/quickspecs/10854_na/10854_na.HTML) (North America)

#### **DLT Tape Array III**

DLT Tape Array III Model 0	168047-001
DLT Tape Array III Model 0 (Japan)	168047-291
DLT Tape Array III Model 0 (Int'l)	168047-B31
DLT Tape Array III Model 40/80-4	161140-001
DLT Tape Array III Model 40/80-4 (Int'l)	161140-B31
DLT Tape Array III Model 40/80-4 (Japan)	161140-291
DLT Tape Array III SDLT-4 (NA)	229760-001
DLT Tape Array III SDLT-4 (Int'l)	229760-B31
DLT Tape Array III SDLT-4 (Japan)	229760-292

Note: Please see the *StorageWorks* DLT Tape Array III QuickSpecs for additional information including Tape Drives, Cartridges, Controllers, and SCSI Cables and additional options needed for a complete solution at: [http://www5.compaq.com/products/quickspecs/10684\\_na/10684\\_na.HTML](http://www5.compaq.com/products/quickspecs/10684_na/10684_na.HTML) (North America) [http://www5.compaq.com/products/quickspecs/10684\\_div/10684\\_div.HTML](http://www5.compaq.com/products/quickspecs/10684_div/10684_div.HTML) (Division/World Wide)

#### **TA1000 AIT Tape Array**

TA1000 AIT Tape Array, Model 5, Rackmount (US)	195479-001
TA1000 AIT Tape Array, Model 5, Rackmount (Int'l)	195479-B31
TA1000 AIT Tape Array, Model 5, Rackmount (Japan)	195479-291
TA1000 AIT Tape Array, Model 10, Rackmount (US)	175005-001
TA1000 AIT Tape Array, Model 10, Rackmount (Int'l)	175005-B31
TA1000 AIT Tape Array, Model 10, Rackmount (Japan)	175005-291

Note: Please see the Compaq TA1000 AIT Tape Array QuickSpecs for additional information including Tape Drives, Cartridges, Controllers, and SCSI Cables and additional options needed for a complete solution at: [http://www5.compaq.com/products/quickspecs/10591\\_na/10591\\_na.HTML](http://www5.compaq.com/products/quickspecs/10591_na/10591_na.HTML) (North America) [http://www5.compaq.com/products/quickspecs/10591\\_div/10591\\_div.HTML](http://www5.compaq.com/products/quickspecs/10591_div/10591_div.HTML) (Division/World Wide)

#### **Tape Storage Enclosure Cable Kits**

LVD Cable Kit, VHDCI/HD68	168048-B21
Note: For use with the 3U RM Storage Enclosure and DLT Tape Array III only.	
LVD Cable Kit, HD68/HD68	242381-B21
Note: For use with the 3U RM Storage Enclosure and DLT Tape Array III only.	

## Options

### Tape Automation

#### **SSL2020 Automated AIT Mini-Library**

SSL2020 AIT Mini-Library 1 drive, 20 slot Table Top	175195-B21
SSL2020 AIT Mini-Library 2 drive, 20 slot Table Top	175195-B22
SSL2020 AIT Mini-Library 1 drive, 20 slot Rackmount	175196-B21
SSL2020 AIT Mini-Library 2 drive, 20 slot Rackmount	175196-B22
SSL2020 AIT Library Pass Thru with Transport	175312-B21
SSL2020 AIT Library Pass Thru Extender	175312-B22
AIT 50-GB Drive Add-On LVD Drive for SSL2020 AIT Library	175197-B21

#### **Required Adapters/Controllers for SSL2020 AIT Mini-Library**

64-Bit/66Mhz Dual Channel Wide Ultra3 SCSI Adapter	129803-B21
64-Bit/66Mhz Dual Channel Wide Ultra3 SCSI Adapter (Japan)	129803-291
SAN Access Module for Smart Array 5302 Controller	216687-B21
SAN Access Module for Smart Array 5302 Controller (Japan)	216687-291
Smart Array 5302/FC Controller	216688-B21
Smart Array 5302/FC Controller (Japan)	216688-291

Note: Please see the SSL2020 Automated AIT Tape Library Solution QuickSpecs for additional information including Upgrade Kits, Accessories, and SCSI Cable Kits and additional options needed for a complete solution at:

[http://www5.compaq.com/products/quickspecs/10580\\_na/10580\\_na.HTML](http://www5.compaq.com/products/quickspecs/10580_na/10580_na.HTML) (North America)

[http://www5.compaq.com/products/quickspecs/10580\\_div/10580\\_div.HTML](http://www5.compaq.com/products/quickspecs/10580_div/10580_div.HTML) (Division/World Wide)

#### **TL891DLX Automated DLT Tape Library**

TL891DLX DLT Library, 1 drive Tower, LVD	157300-B21
TL891DLX DLT Library, 2 drive Tower, LVD	157300-B22
TL891DLX DLT Library, 1 drive Rack, LVD	157305-B21
TL891DLX DLT Library, 2 drive Rack, LVD	157305-B22
Add-On 40/80-GB Drive for TL891DLX, LVD	157303-B21
Add-On 40/80-GB Drive for TL8x1HVD	157304-B21

#### **Required Adapters/Controllers for TL891DLX Automated DLT Tape Library**

64-Bit/66Mhz Dual Channel Wide Ultra3 SCSI Adapter	129803-B21
64-Bit/66Mhz Dual Channel Wide Ultra3 SCSI Adapter (Japan)	129803-291
SAN Access Module for Smart Array 5302 Controller	216687-B21
SAN Access Module for Smart Array 5302 Controller (Japan)	216687-291
Smart Array 5302/FC Controller	216688-B21
Smart Array 5302/FC Controller (Japan)	216688-291

Note: Please see the StorageWorks TL891DLX Automated DLT Tape Library QuickSpecs for additional information including Upgrade Kits, Accessories, and SCSI Cable Kits and additional options needed for a complete solution at:

[http://www5.compaq.com/products/quickspecs/10733\\_na/10733\\_na.HTML](http://www5.compaq.com/products/quickspecs/10733_na/10733_na.HTML) (North America)

[http://www5.compaq.com/products/quickspecs/10733\\_div/10733\\_div.HTML](http://www5.compaq.com/products/quickspecs/10733_div/10733_div.HTML) (Division/World Wide)

#### **MSL5026 Library**

##### **MSL5026DLX Library**

MSL5026DLX, 1 40/80-GB DLT, LVD Table Top	231821-B21
MSL5026DLX, 2 40/80-GB DLT, LVD Table Top	231821-B22
MSL5026DLX, 1 40/80-GB DLT, LVD Rackmount	231891-B21
MSL5026DLX, 2 40/80-GB DLT, LVD Rackmount	231891-B22

## Options

### Tape Automation (continued)

#### MSL5026 Library (continued)

##### MSL5026SL Library

MSL5026SL Library, SDLT 110/220, 1 Drive, LVD, Table Top	231822-B21
MSL5026SL Library, SDLT 110/220, 2 Drives, LVD, Table Top	231822-B22
MSL5026SL Library, SDLT 110/220, 1 Drive, LVD, Rackmount	231892-B21
MSL5026SL Library, SDLT 110/220, 2 Drives, LVD, Rackmount	231892-B22
MSL5K Field Upgrade SDLT 110/220 Drive, LVD	231823-B22

##### Required Adapters for MSL5026 Library

64-Bit/66Mhz Dual Channel Wide Ultra3 SCSI Adapter	129803-B21
64-Bit/66Mhz Dual Channel Wide Ultra3 SCSI Adapter (Japan)	129803-291

Note: Please see the *StorageWorks* MSL5026DLX or MSL5026SL Library QuickSpecs for additional information including Upgrade Kits, Accessories, and SCSI Cable Kits and additional options needed for a complete solution at:

[http://www5.compaq.com/products/quickspecs/10860\\_na/10860\\_na.HTML](http://www5.compaq.com/products/quickspecs/10860_na/10860_na.HTML) (North America)

[http://www5.compaq.com/products/quickspecs/10860\\_div/10860\\_div.HTML](http://www5.compaq.com/products/quickspecs/10860_div/10860_div.HTML) (Division/World Wide)

### External Storage - Tower

<i>StorageWorks</i> Enclosure Model 4314T (tower)	190210-001
<i>StorageWorks</i> Enclosure Model 4314T (tower) (Int'l)	190210-B31
<i>StorageWorks</i> Enclosure Model 4314T (tower) (Japan)	190210-291
<i>Note: The StorageWorks Enclosure 4300 Family supports the Wide Ultra2/Ultra3 1" Hot Plug Hard Drives.</i>	
<i>StorageWorks</i> Enclosure 4200 Redundant Power Supply Option	119826-B21
<i>StorageWorks</i> Enclosure 4200 Ultra3 Single Bus I/O Module Option	190212-B21
<i>StorageWorks</i> Enclosure 4200 Ultra3 Dual Bus I/O Module Option	190213-B21
<i>StorageWorks</i> Enclosure Tower to Rack Conversion Kit	150213-B21

### External Storage - Rack

<i>StorageWorks</i> Enclosure Model 4314R (rack-mountable)	190209-001
<i>StorageWorks</i> Enclosure Model 4314R (rack-mountable) (Int'l)	190209-B31
<i>StorageWorks</i> Enclosure Model 4314R (rack-mountable) (Japan)	190209-291
<i>StorageWorks</i> Enclosure Model 4354R (rack-mountable)	190211-001
<i>StorageWorks</i> Enclosure Model 4354R (rack-mountable) (Int'l)	190211-B31
<i>StorageWorks</i> Enclosure Model 4354R (rack-mountable) (Japan)	190211-291
<i>Note: The StorageWorks Enclosure 4300 Family support the Wide Ultra2/Ultra3 1" Hot Plug Hard Drives.</i>	
<i>StorageWorks</i> Enclosure 4200 Redundant Power Supply Option	119826-B21
<i>StorageWorks</i> Enclosure 4300 Ultra3 Single Bus I/O Module Option	190212-B21
<i>StorageWorks</i> Enclosure 4300 Ultra3 Dual Bus I/O Module Option	190213-B21
<i>StorageWorks</i> Enclosure Tower to Rack Conversion Kit	150213-B21

### StorageWorks Modular Data Router

<i>StorageWorks</i> Modular Data Router (MDR) (1FC x 2 HVD SCSI)	163082-B21
<i>StorageWorks</i> Modular Data Router (MDR) (1FC x 2 LVD SCSI)	163083-B21
<i>StorageWorks</i> Modular Data Router (MDR) (2FC x 4 HVD SCSI)	218240-B21
<i>StorageWorks</i> Modular Data Router (MDR) (2FC x 4 LVD SCSI)	218241-B21

Note: The Modular Data Router supports connections with any Compaq Hub, FC-AL Switch or SAN fabric switches. Connections are also supported for the SSL2020, TL891DLX, and TL895. Please see the *StorageWorks* Modular Data Router QuickSpecs for additional supported options please see the following:  
[http://www5.compaq.com/products/quickspecs/10660\\_na/10660\\_na.HTML](http://www5.compaq.com/products/quickspecs/10660_na/10660_na.HTML) (North America)  
[http://www5.compaq.com/products/quickspecs/10660\\_div/10660\\_div.HTML](http://www5.compaq.com/products/quickspecs/10660_div/10660_div.HTML) (Division/World Wide)

## Options

<b>StorageWorks RAID Array 4100</b>	<i>StorageWorks</i> Raid Array 4100 (rack)	146013-001
	<i>StorageWorks</i> Raid Array 4100 (rack) (Int'l)	146013-B31
	<i>StorageWorks</i> Raid Array 4100 (rack) (Japan)	146013-291
	Fibre Channel Storage Hub 7	234453-001
	Fibre Channel Storage Hub 7 (Int'l)	234453-B31
	Fibre Channel Storage Hub 7 (Japan)	234453-291
	Compaq Storage Hub 7 Universal Rack Mount Kit	136127-B21
	Compaq Storage Hub 12 Management Option	159262-B21
	Fibre Channel Host Adapter Redundancy Kit	174681-B21
	<i>StorageWorks</i> Raid Array 4000 Redundant Array Controller	223187-B21
	<i>StorageWorks</i> Fibre Channel Arbitrated Loop Switch 8	177862-B21
	<i>StorageWorks</i> Fibre Channel Arbitrated Loop Switch 8 (Japan)	177862-291
	<i>StorageWorks</i> Fibre Channel Arbitrated Loop 3-Port Expansion Module	177863-B21
	<i>StorageWorks</i> Fibre Channel SAN Switch 8-EL	176219-B21
	<i>StorageWorks</i> Fibre Channel SAN Switch 16-EL	212776-B21
	Fibre Channel SAN Switch 8-port with Fabric Operating Software	158222-B21
	Fibre Channel SAN Switch 16-port with Fabric Operating Software	158223-B21
	GBIC-SW Connector Kit (two each)	234459-B21
	GBIC-LW Connector Kit (two each)	340412-B21
	Fibre Channel Connection Kit, 3 SW GBICS, 2 Cables	380579-B21
	Fibre Channel Connection Kit, 2 SW GBICS, 2 Cables	380596-B21
	Fibre Channel Short Wave GBIC	380561-B21
	Fibre Channel Long Wave GBIC	127508-B21
	2-meter Multi-Mode Fibre Channel Cable	234457-B21
	5-meter Multi-Mode Fibre Channel Cable	234457-B22
	15-meter Multi-Mode Fibre Channel Cable	234457-B23
	30-meter Multi-Mode Fibre Channel Cable	234457-B24
	50-meter Multi-Mode Fibre Channel Cable	234457-B25
	Fibre Channel Troubleshooting Kit	234468-B21
	<p>Note: Please see the <i>StorageWorks</i> RAID Array 4100 QuickSpecs for FC Hubs, FC switches, software support, host adapters/controllers, disks, and options for complete solutions at:  <a href="http://www5.compaq.com/products/quickspecs/10435_na/10435_na.HTML">http://www5.compaq.com/products/quickspecs/10435_na/10435_na.HTML</a> (North America)  <a href="http://www5.compaq.com/products/quickspecs/10435_div/10435_div.HTML">http://www5.compaq.com/products/quickspecs/10435_div/10435_div.HTML</a> (Division/World Wide)</p>	

<b>StorageWorks Modular Array 8000/Enterprise Modular Array 12000</b>	EMA12000 D14 60Hz	175990-B21
	EMA12000 D14 50Hz	175990-B22
	EMA12000 S14 60Hz	175991-B21
	EMA12000 S14 50Hz	175991-B22
	MA8000 60Hz	175992-B21
	MA8000 50Hz	175992-B22
	EMA12000 Blue 60Hz	175993-B21
	EMA12000 Blue 50Hz	175993-B22
	<p>Note: Options include controller, solution kits, ACS. MA8000/EMA12000 includes controller shelf, drive shelves and cabinet. Packaging upgrade to RA8000/ESA12000.</p> <p>Note: Please see the <i>StorageWorks</i> MA8000/EMA12000 QuickSpecs for FC Hubs, FC switches, platform software, host adapters, disks and options for complete solutions at:  <a href="http://www5.compaq.com/products/quickspecs/North_America/10418.html">http://www5.compaq.com/products/quickspecs/North_America/10418.html</a> (North America)  <a href="http://www5.compaq.com/products/quickspecs/Division/10418.html">http://www5.compaq.com/products/quickspecs/Division/10418.html</a> (Division/World Wide)</p>	



## Options

<b>StorageWorks Enterprise Modular Array 16000 FC</b>	EMA16000 D14 50Hz (opal)	238792-B22
	EMA16000 D14 60Hz (opal)	238792-B21
	EMA16000 S14 50Hz (opal)	238791-B22
	EMA16000 S14 60Hz (opal)	238791-B21
<p>Note: Models include: Dual HSG80 controllers in each Model 2200 enclosure (2 pairs per single bus configuration, 4 pairs per dual bus configuration) with 1GB cache per controller pair, and 12 14-bay drive enclosures with redundant power supplies. Configure-to-Order (CTO) builds are available. Options include ACS, platform kits and SANworks™ software by Compaq.</p> <p>Note: Please see the StorageWorks EMA16000 QuickSpecs for FC switches, platform software, host adapters, disks and options for complete solutions at:  <a href="http://www5.compaq.com/products/quickspecs/North_America/10418.html">http://www5.compaq.com/products/quickspecs/North_America/10418.html</a> (North America)  <a href="http://www5.compaq.com/products/quickspecs/Division/10418.html">http://www5.compaq.com/products/quickspecs/Division/10418.html</a> (Division/World Wide)</p>		
<b>StorageWorks Options</b>	Fibre Channel SAN Switch/8 with Fabric Operating Software	158222-B21
	Fibre Channel SAN Switch/8 with Fabric Operating Software	158223-B21
	StorageWorks SAN Switches Integrated/32	230616-B21
	StorageWorks SAN Switches Integrated/64	230617-B21
	StorageWorks Fibre Channel SAN Switches 8-EL	176219-B21
	StorageWorks Fibre Channel SAN Switches 16-EL	212776-B21
	64-bit/66MHz Fibre Channel Host Adapter	120186-B21
	<p>Note: The 64-bit/66-Mhz Fibre Channel Host Adapter has been qualified for use with the Compaq RAID Array 4000 family of products, the Enterprise Backup Solution, and the RAID Array 8000 under NetWare.</p>	
	64-bit/66MHz Fibre Channel Host Adapter (Japan)	120186-291
	<p>Note: The 64-bit/66Mhz Fibre Channel Host Adapter has been qualified for use with the Compaq RAID Array 4000 family of products, the Enterprise Backup Solution (EBS) offerings, and the RAID Array 8000 under NetWare.</p>	
	StorageWorks 64-bit/33MHz PCI-to-Fibre Channel Host Bus Adapter for NT	176479-B21
<p>Note: The 64-bit/66Mhz Fibre Channel Host Adapter has been qualified for use with the Compaq RA8000, ESA12000, the Enterprise Backup Solution (EBS) offerings, Compaq 7 Port &amp; 12 Port Hubs and/or Compaq Fibre Channel Switches and Compaq Fibre Channel SAN Switches with x86NT environments.</p>		
F200 Clustering Kit	380357-B23	
<b>Uninterruptible Power Systems - Tower</b>	UPS Model T700 (700VA, 500 Watt), Low Voltage (NA)	204015-001
	UPS Model T700 (700VA, 500 Watt), High Voltage (Int'l)	204015-B31
	UPS Model T700 (700VA, 500 Watt), Low Voltage (Japan)	204015-291
	Compaq UPS T1000 XR (NA)	204155-001
	Compaq UPS T1000 XR (Int'l)	204155-B31
	Compaq UPS T1500 XR (NA)	204155-002
	Compaq UPS T1500 XR (Int'l)	204155-B32
	Compaq UPS T1500 XR (Japan)	204155-292
	Compaq UPS T2200 XR Low Voltage (NA)	204451-001
	Compaq UPS T2200 XR High Voltage (NA)	204451-002
	Compaq UPS T2200 XR (NA)	204451-B31
	Compaq UPS T2200 XR (Japan)	204451-291
	Extended Runtime Module T1000 XR	218967-B21
	<p>Note: Available for the UPS T1000 XR Models only.</p>	
	Extended Runtime Module T1500 XR/T2200 XR	218969-B21
	<p>Note: Available for the UPS T1500 XR or T2200 XR Models only.</p>	
	Multi-Server UPS Card (Not available for UPS T700)	123508-B21
	Scalable UPS Card (Not available for UPS T700)	123509-B21
	SNMP-EN Adapter (Not available for UPS T700)	347225-B21
	High to Low Voltage Transformer (250VA)	388643-B21



## Options

<b>Uninterruptible Power Systems – Rack</b>	Compaq UPS R1500 XR (100-127) (NA)	204404-001
	Compaq UPS R1500 XR (208-480) (Int'l)	204404-B31
	Compaq UPS R1500 XR (100-127) (Japan)	204404-291
	Compaq UPS R3000 XR (120V) (NA)	192186-001
	Compaq UPS R3000 XR (208V) (NA)	192186-002
	Compaq UPS R3000 XR (100V) (Japan)	192186-291
	Compaq UPS R3000 XR (200V) (Japan)	192186-292
	Compaq UPS R3000 XR (230V) (Int'l - detachable cord)	192186-B31
	Compaq UPS R3000 XR (230V) (16A IEC309 Plug)	192186-B32
	Compaq UPS R3000 XR (230V) (16A CEE 7/7 SCHUKO Plug)	192186-B33
	Compaq UPS R3000 XR (230V) (16A BS-546 Plug)	192186-AR1
	Rack-Mountable UPS R6000 (208V) (NA)	347207-001
	Rack-Mountable UPS R6000 (230V) (Int'l)	347207-B31
	Rack-Mountable UPS R6000 (200V) (Japan)	347207-291
	R6000 Extended Runtime Module <i>Note: Available for the UPS R6000 Models only.</i>	347224-B21
	Extended Runtime Module, R3000 XR <i>Note: Available for the UPS R3000 XR Models only.</i>	192188-B21
	Extended Runtime Module, R1500 XR <i>Note: Available for the UPS R1500 XR Models only.</i>	218971-B21
	Six-Port Card <i>Note: Available for the new Rack-Mountable UPS "XR" Models only.</i>	192185-B21
	SNMP/Serial Port Card <i>Note: Available for the new Rack-Mountable UPS "XR" Models only.</i>	192189-B21
	SNMP-EN Adapter	347225-B21
	High to Low Voltage Transformer (250VA)	388643-B21
	Multi-Server UPS Card	123508-B21
	Scalable UPS Card	123509-B21
<b>Rack-Mountable PDUs – 1U / 0U</b>	Compaq Power Distribution Unit-16A (200 to 240V)	207590-B21
	Compaq Power Distribution Unit-24A (200 to 240V) (NA, Japan, LA)	207590-D72
	Compaq Power Distribution Unit-32A (200 to 240V) (Int'l)	207590-B31
	Compaq Power Distribution Unit-40A (200 to 240V)	207590-B23
	Compaq Power Distribution Unit-24A (100 to 127V) (NA, Japan, LA)	207590-D71
	Compaq Dual Input Power Distribution Unit-24A High Voltage (NA only)	191186-001
	Compaq Dual Input Power Distribution Unit-24A High Voltage (Int'l)	191186-B31
<b>Rack Builder</b>	<i>Please see the <a href="http://www.compaq.com/rackbuilder/">Compaq Rack Builder</a> for configuration assistance at <a href="http://www.compaq.com/rackbuilder/">www.compaq.com/rackbuilder/</a>.</i>	
<b>Rack Conversion Kit</b>	Compaq ML370 Tower to Rack Conversion Kit	157006-B21

## Options

<b>Compaq Rack 10000 Series</b> (Carbon)	Compaq Rack 10642 (42U) – Pallet	245161-B21
	Compaq Rack 10642 (42U) – Shock Pallet	245161-B22
	Compaq Rack 10642 (42U) – Crated	245161-B23
	Compaq Rack 10622 (22U) – Pallet	245163-B21
	Compaq Rack 10622 (22U) – Shock Pallet	245163-B22
	Compaq Rack 10622 (22U) – Crated	245163-B23
	<b>Note:</b> -B21 (pallet) used to ship empty racks shipped on a truck -B22 (shock pallet) used to ship racks with equipment installed (by custom systems, VARs and Channels) -B23 (crated) used for air shipments of empty racks	

<b>Compaq Rack 9000 Series</b> (Opal)	Compaq Rack 9142 (42U) – Pallet	120663-B21
	Compaq Rack 9142 (42U) – Shock Pallet	120663-B22
	Compaq Rack 9142 (42U) – Crated	120663-B23
	Compaq Rack 9136 (36U) – Pallet	120664-B21
	Compaq Rack 9136 (36U) – Shock Pallet	120664-B22
	Compaq Rack 9136 (36U) – Crated	120664-B23
	Compaq Rack 9122 (22U) – Pallet	120665-B21
	Compaq Rack 9122 (22U) – Shock Pallet	120665-B22
	Compaq Rack 9122 (22U) – Crated	120665-B23
	Compaq Rack 9842 (800mm wide, 42U) - Pallet	222192-B21
	<b>Note:</b> -B21 (pallet) used to ship empty racks shipped on a truck -B22 (shock pallet) used to ship racks with equipment installed (by custom systems, VARs and Channels) -B23 (crated) used for air shipments of empty racks	

<b>Rack Options for Compaq Rack 10000 Series</b>	Rack Blanking Panels – Graphite (Multi)	253214-B26
	Rack Blanking Panels – Graphite (1U)	253214-B21
	<b>Note:</b> The Rack Blanking Panels (PN 253214-B21) contains 10 each of (1U)	
	Rack Blanking Panels – Graphite (2U)	253214-B22
	<b>Note:</b> The Rack Blanking Panels (PN 253214-B21) contains 10 each of (2U)	
	Rack Blanking Panels – Graphite (3U)	253214-B23
	<b>Note:</b> The Rack Blanking Panels (PN 253214-B21) contains 10 each of (3U)	
	Rack Blanking Panels – Graphite (4U)	253214-B24
	<b>Note:</b> The Rack Blanking Panels (PN 253214-B21) contains 10 each of (4U)	
	Rack Blanking Panels – Graphite (5U)	253214-B25
	<b>Note:</b> The Rack Blanking Panels (PN 253214-B21) contains 10 each of (5U)	
	600mm Stabilizer Kit – Graphite	246107-B21
Baying Kit for Rack 10000 series (Carbon)	248929-B21	
42U Side Panel – Graphite Metallic	246099-B21	
110V Fan Kit (Graphite)	257413-B21	
220V Fan Kit (Graphite)	257414-B21	

<b>Rack Options for Compaq Rack 9000 Series</b>	Baying/Coupling Kit	120669-B21
	42U Side Panel	120670-B21
	<b>Note:</b> The 42U Side Panel (PN 120670-B21) supports the Compaq Rack 9142 and Compaq Rack 9842.	
	36U Side Panel	120671-B21
	<b>Note:</b> The 36U Side Panel (PN 120671-B21) supports the Compaq Rack 9136.	
	Fan (110 VAC) Roof Mount	120677-B21
	Fan (220 VAC) Roof Mount	120678-B21
	Grounding Rack Option Kit	120682-B21
	9142 Extension Kit	120679-B21
	<b>Note:</b> The 9142 Extension Kit (PN 120679-B21) supports the Compaq Rack 9142 only.	
Stabilizer Option Kit	120673-B21	

### Options

<b>Rack Options for Compaq Rack 9000 Series</b> <i>(continued)</i>	Rack Blanking Panels (1U) <i>Note: The Rack Blanking Panels (PN 189453-B21) contains 10 each of (1U)</i>	189453-B21	
	Rack Blanking Panels (2U) <i>Note: The Rack Blanking Panels (PN 189453-B22) contains 10 each of (2U)</i>	189453-B22	
	Rack Blanking Panels (3U) <i>Note: The Rack Blanking Panels (PN 189453-B23) contains 10 each of (3U)</i>	189453-B23	
	Rack Blanking Panels (4U) <i>Note: The Rack Blanking Panels (PN 189453-B24) contains 10 each of (4U)</i>	189453-B24	
	Rack Blanking Panels (5U) <i>Note: The Rack Blanking Panels (PN 189453-B25) contains 10 each of (5U)</i>	189453-B25	
	100kg Sliding Shelf	234672-B21	
	9000/10000 Series Offset Baying Kit <i>Note: This kit can be used to connect 9000 and 10000 series racks of the same U height together. Kit contents include hardware for connecting racks and a panel to cover the 100mm gap at the rear of the two racks.</i>	248931-B21	
	9136 Extension Kit	218216-B21	
	9142 Short Rear Door <i>Note: The 9142 Short Rear Door (PN 218217-B21) supports the Compaq Rack 9142 only.</i>	218217-B21	
	9136 Short Rear Door	218218-B21	
	9122 Short Rear Door (Opal)	218219-B21	
	<b>Rack Options for Compaq Rack 7000 Series</b>	High Air Flow Rack Door Insert for 7122	157847-B21
		High Air Flow Rack Door Insert for 7142	327281-B21
High Air Flow Rack Door Insert for 7142 (6 pack)		327281-B22	
Compaq Rack Extension Kit for 7142		154392-B21	
<b>Rack Options for Compaq Rack 7000, 9000 and 10000 Series</b>	Sliding Shelf Kit	332564-B21	
	Monitor Utility Shelf	303606-B21	
	Compaq Networking Cable Management Kit	292407-B21	
	Compaq Networking Recessed Rail Management Kit	292406-B21	
	Ballast Option Kit	120672-B21	
	Rack Rail Adapter Kit (25" depth)	120675-B21	
	Cable Management D-Rings Kit	168233-B21	
	Console Management Controller (CMC) Option Kit	203039-B21	
	Console Management Controller (CMC) Sensors Option Kit	203039-B22	
	Console Management Controller (CMC) Locking Option Kit	203039-B23	
	Console Management Controller (CMC) Smoke Sensors Option Kit	203039-B24	
	Server Console Switch 1 x 2 port (100 to 230 VAC)	120206-001	
	Server Console Switch 1 x 2 port (100 to 230 VAC) (Int'l)	120206-B31	
	Server Console Switch 1 x 2 port (100 to 230 VAC) (Japan)	120206-291	
	Server Console Switch 1 x 4 port (100 to 230 VAC)	400336-001	
	Server Console Switch 1 x 4 port (100 to 230 VAC) (Int'l)	400336-B31	
	Server Console Switch 1 x 4 port (100 to 230 VAC) (Japan)	400336-291	
	Server Console Switch 1 x 8 port (100 to 230 VAC)	400337-001	
	Server Console Switch 1 x 8 port (100 to 230 VAC) (Int'l)	400337-B31	
	Server Console Switch 1 x 8 port (100 to 230 VAC) (Japan)	400337-291	
	Server Console Switch 2 x 8 port (100 to 230 VAC)	400338-001	
	Server Console Switch 2 x 8 port (100 to 230 VAC) (Int'l)	400338-B31	
	Server Console Switch 2 x 8 port (100 to 230 VAC) (Japan)	400338-291	
	Server Console Switch 2 x 8 port (48 VDC)	400542-B21	
KVM 9 PIN Adapter (4 Pack)	149361-B21		

## Options

Rack Options for Compaq Rack 7000, 9000 and 10000 Series (continued)	CPU to Server Console Cable, 12'	110936-B21
	CPU to Server Console Cable, 20'	110936-B22
	CPU to Server Console Cable, 40'	110936-B23
	CPU to Server Console Cable, 3'	110936-B24
	CPU to Server Console Cable, 7'	110936-B25
	CPU to Server Console Cable (Plenum Rated) 20'	149363-B21
	CPU to Server Console Cable (Plenum Rated) 40'	149364-B21
	Switch Box Connector Kit (115 V)	144007-001
	Switch Box Connector Kit (230 V)	144007-002
	Switch Box Connector Kit (High Voltage) (Int'l)	144007-B33
	TFT5600 Rack Keyboard Monitor (US)	221546-001
	TFT5600 Rack Keyboard Monitor (UK)	221546-031
	TFT5600 Rack Keyboard Monitor (Germany)	221546-041
	TFT5600 Rack Keyboard Monitor (France)	221546-051
	TFT5600 Rack Keyboard Monitor (Italy)	221546-061
	TFT5600 Rack Keyboard Monitor (Spain)	221546-071
	TFT5600 Rack Keyboard Monitor (Denmark)	221546-081
	TFT5600 Rack Keyboard Monitor (Norway)	221546-091
	TFT5600 Rack Keyboard Monitor (Sweden/Finland)	221546-101
	TFT5600 Rack Keyboard Monitor (Swiss)	221546-111
	TFT5600 Rack Keyboard Monitor (Portugal)	221546-131
	TFT5600 Rack Keyboard Monitor (Belgium)	221546-181
	TFT5600 Rack Keyboard Monitor (Japan)	221546-291
	TFT5600 Rack Keyboard Monitor (Int'l)	221546-B31
	Keyboard with Hot Keys and Trackball (US)	158649-001
	Keyboard with Hot Keys and Trackball (UK)	158649-003
	Keyboard with Hot Keys and Trackball (German)	158649-004
	Keyboard with Hot Keys and Trackball (French)	158649-005
	Keyboard with Hot Keys and Trackball (Italian)	158649-006
	Keyboard with Hot Keys and Trackball (Spanish)	158649-007
	Keyboard with Hot Keys and Trackball (Danish)	158649-008
	Keyboard with Hot Keys and Trackball (Norwegian)	158649-009
	Keyboard with Hot Keys and Trackball (Swedish)	158649-010
	Keyboard with Hot Keys and Trackball (Swiss)	158649-011
	Keyboard with Hot Keys and Trackball (Portuguese)	158649-013
	Keyboard with Hot Keys and Trackball (Belgian)	158649-018
	Keyboard with Hot Keys and Trackball (Japan)	158649-291
	Keyboard with Hot Keys and Trackball (Int'l)	158649-B36
	PCI KVM Management Card Kit	232983-B21
	PCI KVM Remote Card Kit	232984-B21
	Local Access Cable Kit	232985-B21
	1U Rack Keyboard Drawer	338056-B21
Keyboard/Monitor/Mouse extension cables	169989-001	
9000/10000 Series Offset Baying Kit	248931-B21	
<p>Note: This kit can be used to connect 9000 and 10000 series racks of the same U height together. Kit contents include hardware for connecting racks and a panel to cover the 100mm gap at the rear of the two racks.</p>		
Rack Options for Third Party Cabinet Racks	Depth Adjustable Fixed Rails	332558-B21

## Options

### Service and Support Offerings (CarePaq Services)

#### Hardware Services 4-Hour On-site Service

4-Hour On-site Service, 5-Day x 9-Hour Coverage, 3 Years (2-5-2 Part Number for U.S.)	FM-LO4HR-36
4-Hour On-site Service 5-Day x 9-Hour Coverage, 3 Years (2-5-2 Part Number for Canada)	FP-LO4HR-36
4-Hour On-site Service, 5-Day x 9-Hour, 3 Years (6-3 Part Number for U.S.)	162658-002
4-Hour On-site Service, 5-Day x 9-Hour Coverage, 3 Years (6-3 Part Number for Canada)	162658-122
4-Hour On-site Service, 5-Day x 9-Hour Coverage, 3 Years (6-3 Part Number for EMEA)	324417-002
4-Hour On-site Service, 7-Day x 24-Hour Coverage, 3 Years (2-5-2 Part Number for U.S.)	FM-LO724-36
4-Hour On-site Service, 7-Day x 24-Hour Coverage, 3 Years (2-5-2 Part Number for Canada)	FP-LO724-36
4-Hour On-site Service, 7-Day x 24-Hour Coverage, 3 Years (6-3 Part Number for U.S.)	162657-002
4-Hour On-site Service, 7-Day x 24-Hour Coverage, 3 Years (6-3 Part Number for Canada)	162657-122
4-Hour On-site Service, 7-Day x 24-Hour Coverage, 3 Years (6-3 Part Number for EMEA)	376912-022

#### Installation & Start-up Services

Hardware Installation (2-5-2 Part Number for U.S.)	FM-LOINS-IN
Hardware Installation (2-5-2 Part Number for Canada)	FP-LOINS-IN
Hardware Installation (6-3 Part Number for U.S.)	401792-002
Hardware Installation (6-3 Part Number for Canada)	401792-122
Hardware Installation (6-3 Part Number for EMEA)	Quote
Pre-installation planning; unpack equipment, install most current Compaq HW options internal to server at same time of server installation; assemble & test; basic user information provided; Install & configure basic functionality of Win NT Operating System plus up to 2 days start-up activity, configure print & network access services, and orientation (2-5-2 Part Number for U.S.)	FP-MSTAR-02
Pre-installation planning; unpack equipment, install most current Compaq HW options internal to server at same time of server installation; assemble & test; basic user information provided; Install & configure basic functionality of Win NT Operating System plus up to 2 days start-up activity, configure print & network access services, and orientation (6-3 Part Number for U.S.)	240014-002
Pre-installation planning; unpack equipment, install most current Compaq HW options internal to server at same time of server installation; assemble & test; basic user information provided; Install & configure basic functionality of Novell NetWare Operating System plus up to 2 days start-up activity, configure print & network access services, and orientation (2-5-2 Part Number for U.S.)	FP-NSTAR-02
Pre-installation planning; unpack equipment, install most current Compaq HW options internal to server at same time of server installation; assemble & test; basic user information provided; Install & configure basic functionality of Novell NetWare Operating System plus up to 2 days start-up activity, configure print & network access services, and orientation (6-3 Part Number for U.S.)	240009-002
Server Installation and Set-Up (Installation of the server, installation of the appropriate service tools, check to ensure device SW and firmware is loaded and installation of the operating system software (6-3 Part Number for EMEA)	204563-022

#### CarePaq Priority Services for ProLiant Servers – Priority Level

9 x 5 HW, 4-hr response, Next Available HW engineer; 9 x 5 Bronze Software Support 2-hr response for Windows NT, Windows 2000, Professional, Server or Advanced Server Operating System, Next Available Specialist (2-5-2 Part Number for U.S.)	FP-M01C2-36
9 x 5 HW, 4-hr response, Next Available HW engineer; 9 x 5 Bronze Software Support 2-hr response for Windows NT, Windows 2000, Professional, Server or Advanced Server Operating System, Next Available Specialist (6-3 Part Number for U.S.)	239929-002
9 x 5 HW, 4-hr response, Next Available HW engineer; 9 x 5 Bronze Software Support 2-hr response for Novell NetWare Operating System, Next Available Specialist (2-5-2 Part Number for U.S.)	FP-N01C2-36
9 x 5 HW, 4-hr response, Next Available HW engineer; 9 x 5 Bronze Software Support 2-hr response for Novell NetWare Operating System, Next Available Specialist (6-3 Part Number for U.S.)	239969-002
5 x 9 4-hour H/W, 5 x 9 2-hour O/S (NT & NetWare), three years (2-5-2 Part Number for Canada)	FP-CZ102-36
5 x 9 4-hour H/W, 5 x 9 2-hour O/S (NT & NetWare), three years (6-3 Part Number for Canada)	155324-122
5 x 9 4-hour H/W, 5 x 9 2-hour O/S (NT & NetWare), three years (6-3 Part Number for EMEA)	179835-022

### Options

Service and Support Offerings (CarePaq Services) <i>(continued)</i>	<b>CarePaq Priority Services for ProLiant Servers – Priority 24 Level</b>	
	24 x 7 HW, 4-hr response, Named HW engineer; 24 x 7 Bronze Software Support, 2-hr response for Windows NT, Windows 2000, Professional, Server or Advanced Server Operating System, Next Available Specialist (2-5-2 Part Number for U.S.)	FP-M02C2-36
	24 x 7 HW, 4-hr response, Named HW engineer; 24 x 7 Bronze Software Support, 2-hr response for Windows NT, Windows 2000, Professional, Server or Advanced Server Operating System, Next Available Specialist (6-3 Part Number for U.S.)	239931-002
	24 x 7 HW, 4-hr response, Named HW engineer; 24 x 7 Bronze Software Support, 2-hr response for Novell NetWare Operating System, Next Available Specialist (2-5-2 Part Number for U.S.)	FP-N02C2-36
	24 x 7 HW, 4-hr response, Named HW engineer; 24 x 7 Bronze Software Support, 2-hr response for Novell NetWare Operating System, Next Available Specialist (6-3 Part Number for U.S.)	239971-002
	7 x 24 4-hour H/W, 7 x 24 2-hour O/S (NT & NetWare), three years (6-3 Part Number for EMEA)	179840-022
	<b>CarePaq Priority Services for ProLiant Servers – Priority Plus Level</b>	
	7 x 24 4-hour H/W, 7 x 24 1-hour O/S (NT & NetWare), SPS account review, Three Years (2-5-2 Part Number for Canada)	FP-CZ302-36
	7 x 24 4-hour H/W, 7 x 24 1-hour O/S (NT & NetWare), SPS account review, Three Years (6-3 Part Number for Canada)	155332-122
	<b>CarePaq Priority Services for ProLiant Servers – Priority Silver</b>	
	24 x 7 HW, 4-hr response, Named HW engineer; 24 x 7 Silver Software Support, 1-hr response, Monday – Friday, 8AM – 5PM local time, 2-hr response after hours for Windows NT, Windows 2000, Professional, Server or Advanced Server Operating System, Technical Account Manager, Technical Newsletter, SW activity review, proactive patch notification, 1 System Healthcheck per year (2-5-2 Part Number for U.S.)	FP-M04C2-36
	24 x 7 HW, 4-hr response, Named HW engineer; 24 x 7 Silver Software Support, 1-hr response, Monday – Friday, 8AM – 5PM local time, 2-hr response after hours for Windows NT, Windows 2000, Professional, Server or Advanced Server Operating System, Technical Account Manager, Technical Newsletter, SW activity review, proactive patch notification, 1 System Healthcheck per year (6-3 Part Number for U.S.)	239933-002
	24 x 7 HW, 4-hr response, Named HW engineer; 24 x 7 Silver Subsequent System Support for Windows NT, Windows 2000, Professional, Server or Advanced Server Operating System (2-5-2 Part Number for U.S.)	FP-M24C2-36
	24 x 7 HW, 4-hr response, Named HW engineer; 24 x 7 Silver Subsequent System Support for Windows NT, Windows 2000, Professional, Server or Advanced Server Operating System (6-3 Part Number for U.S.)	239935-002
	24 x 7 HW, 4-hr response, Named HW engineer; 24 x 7 Silver Software Support, 1-hr response, Monday – Friday, 8AM – 5PM local time, 2-hr response after hours for Novell NetWare Operating System, Technical Account Manager, Technical Newsletter, SW activity review (2-5-2 Part Number for U.S.)	FP-N04C2-36
	24 x 7 HW, 4-hr response, Named HW engineer; 24 x 7 Silver Software Support, 1-hr response, Monday – Friday, 8AM – 5PM local time, 2-hr response after hours for Novell NetWare Operating System, Technical Account Manager, Technical Newsletter, SW activity review (6-3 Part Number for U.S.)	239973-002
	24 x 7 HW, 4-hr response, Named HW engineer; 24 x 7 Silver Subsequent System Support for Novell NetWare Operating System (2-5-2 Part Number for U.S.)	FP-N24C2-36
	24 x 7 HW, 4-hr response, Named HW engineer; 24 x 7 Silver Subsequent System Support for Novell NetWare Operating System (6-3 Part Number for U.S.)	239975-002
	<b>CarePaq Priority Services for ProLiant Servers – Priority Premier Level</b>	
	7 x 24 2-hour H/W, 7 x 24 1-hour O/S (NT & NetWare), SPS Account Review, Proactive Management Review, named S/w rep, Three Years (2-5-2 Part Number for Canada)	FP-CZ502-36
	7 x 24 2-hour H/W, 7 x 24 1-hour O/S (NT & NetWare), SPS Account Review, Proactive Management Review, named S/w rep, Three Years (6-3 Part Number for Canada)	155336-122
<b>CarePaq Priority Services for ProLiant Servers – Priority Executive Premier Level</b>		
7 x 24 2-hour H/W, 7 x 24 30-minute O/S (NT & NetWare), SPS Account Review, Proactive Management Review, named S/w rep, Three Years (2-5-2 Part Number for Canada)	FP-CZ702-36	
7 x 24 2-hour H/W, 7 x 24 30-minute O/S (NT & NetWare), SPS Account Review, Proactive Management Review, named S/w rep, Three Years (6-3 Part Number for Canada)	155340-122	

Note: For more information, customer/resellers can contact [www.Compaq.com/services](http://www.Compaq.com/services).

## Memory

### Compaq ProLiant ML370 All Models

#### STANDARD MEMORY

One 128-MB PC133-MHz Registered ECC SDRAM DIMM comes installed (1 x 128-MB SDRAM DIMM)

#### STANDARD MEMORY PLUS OPTIONAL MEMORY

Up to 3200-MB of memory is available with the optional installation of PC133-MHz Registered ECC SDRAM DIMM memory kits.

#### STANDARD MEMORY REPLACED WITH OPTIONAL MEMORY

Up to 4096-MB of memory is available with the removal of the standard 128 MB of memory and the optional installation of PC133-MHz Registered ECC SDRAM DIMM memory kits.

Note: This chart does not represent all possible memory configurations.

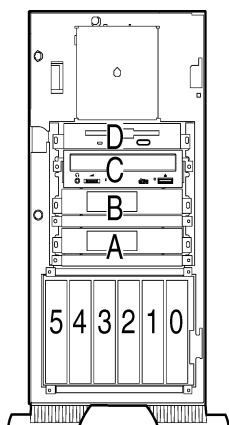
Memory		Slot			
		1	2	3	4
Standard	128 MB	128 MB	Empty	Empty	Empty
Optional	3200 MB	128 MB	1024 MB	1024 MB	1024 MB
Maximum	4096 MB	1024 MB	1024 MB	1024 MB	1024 MB

#### Following are memory options available from Compaq:

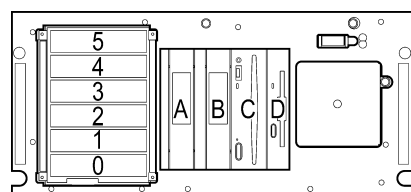
- 1024-MB PC133-MHz Registered ECC SDRAM DIMM Memory Option Kit 128280-B21
- 512-MB PC133-MHz Registered ECC SDRAM DIMM Memory Option Kit 128279-B21
- 256-MB PC133-MHz Registered ECC SDRAM DIMM Memory Option Kit 128278-B21
- 128-MB PC133-MHz Registered ECC SDRAM DIMM Memory Option Kit 128277-B21
- 64-MB PC133-MHz Registered ECC SDRAM DIMM Memory Option Kit 128276-B21



## Storage



- 0 – 5      6 x 1" Hot Pluggable Hard Drive Bays
- A, B      Two available half height bays
- C         32x or 40x IDE CD-ROM Drive
- D         3.5" Diskette Drive



- 0 - 5      6 x 1" Wide Ultra2 Hot Pluggable Hard Drive Bays
- A, B      Two available half height bays
- C         32x or 40x IDE CD-ROM – drive
- D         3.5" Diskette Drive

## DRIVE SUPPORT

	Quantity Supported	Position Supported	Controller
<b>Removable Media</b>			
1.44-MB Diskette Drive	Up to 1	D	Integrated
IDE CD-ROM Drive	Up to 2	B,C	Integrated IDE
DVD-ROM Drive Option Kit	Up to 2	A,B	Integrated IDE
<b>Hard Drives</b>			
<i>Wide Ultra3 Hot Pluggable Drives</i>			
<b>1-inch</b>	Up to 6	0-5	Integrated Dual Channel Wide Ultra2 SCSI Adapter
72.8-GB 10,000 rpm			Smart Array 431 Controller
36.4-GB 10,000 rpm			Smart Array 5300 Controller
18.2-GB 10,000 rpm			64-bit/66-MHz Dual Channel Wide Ultra3 SCSI Adapter
36.4-GB 15,000 rpm			64-bit/66-MHz Single Channel Wide Ultra3 SCSI Adapter
18.2-GB 15,000 rpm			Integrated Smart Array Controller Module (optional)
<i>Wide Ultra3 SCSI – Non-Hot Plug</i>			
<b>1-inch</b>	Up to 3	A, B, C	Integrated Dual Channel Wide Ultra SCSI Adapter
36.4-GB 10,000 rpm		(Using the C position)	Smart Array 431 Controller
18.2-GB 10,000 rpm		(requires the removal of CD-ROM)	Smart Array 5300 Controller
			64-bit/66-MHz Dual Channel Wide Ultra3 SCSI Adapter
			64-bit/66-MHz Single Channel Wide Ultra3 SCSI Adapter
			Integrated Smart Array Controller Module (optional)
<b>External Storage</b>			
StorageWorks Enclosure 4300 Family (supports Ultra2/Ultra3 drives only)	Up to 24	External	Smart Array 431 Controller
			Smart Array 5300 Controller
			64-bit/66-MHz Dual Channel Wide Ultra3 SCSI Adapter
			64-bit/66-MHz Single Channel Wide Ultra3 SCSI Adapter
3U RM Storage Expander	Up to 3	External	64-bit/66-MHz Dual Channel Wide Ultra3 SCSI Adapter
			64-bit/66-MHz Single Channel Wide Ultra3 SCSI Adapter



## Storage

### DRIVE SUPPORT *(continued)*

	Quantity Supported	Position Supported	Controller
<i>Wide Ultra3 SCSI – Non-Hot Plug (continued)</i>			
StorageWorks Raid Array 4100 Kit	Up to 10 (with optional StorageWorks Hubs or Switches)	External	Fibre Channel Host Adapter

#### Maximum Storage Capacity – (StorageWorks Enclosure SCSI Attached)

Internal	509.6 GB (6 x 72.8-GB 1" Wide Ultra3 hot plug hard drives with 2 x 36.4 GB 1" Wide Ultra3 non-hot plug drives in removable media bays)
External	23.460 TB (24 StorageWorks Enclosure, each with 14 x 72.8-GB Wide Ultra3 1" Drives)
Total	24.970 TB

#### Maximum Storage Capacity - (RAID Array 4100 Attached)

Internal	436.8 GB (6 x 72.8-GB 1" Wide Ultra3 hot plug hard drives)
External	8.736 TB hot plug SCSI storage (10 x (12 x 72.8-GB Wide Ultra3 1" Drives))
Total	9.172 TB

#### Tape Drives

Note: For an up-to-date listing of the latest O/S Support details for each of the Tape Drives listed below, please see the following:

[http://www5.compaq.com/products/quickspecs/North\\_America/10233.html](http://www5.compaq.com/products/quickspecs/North_America/10233.html) (North America)

<http://www5.compaq.com/products/quickspecs/Division/10233.html> (Division/World Wide)

Note: For an up-to-date listing of the latest O/S Support details for each of the Tape Storage Systems listed below, please see the following:

[http://www5.compaq.com/products/quickspecs/North\\_America/10809.html](http://www5.compaq.com/products/quickspecs/North_America/10809.html) (North America)

<http://www5.compaq.com/products/quickspecs/Division/10809.html> (Division/World Wide)

Internal 20/40-GB DAT DDS-4	Up to 2	A, B	Integrated Dual Channel Wide Ultra2 SCSI Adapter
Internal 12/24-GB DAT			Compaq Wide-Ultra SCSI-3 Adapter
			Integrated Smart Array Controller Module (optional)
			64-bit/66-MHz Dual Channel Wide Ultra3 SCSI Adapter
			64-bit/66-MHz Single Channel Wide Ultra3 SCSI Adapter
AIT 50-GB Internal	Up to 2	A, B	Integrated Dual Channel Wide Ultra2 SCSI Adapter
AIT 35-GB LVD Internal			Compaq Wide-Ultra SCSI-3 Adapter
			Integrated Smart Array Controller Module (optional)
			64-bit/66-MHz Dual Channel Wide Ultra3 SCSI Adapter
			64-bit/66-MHz Single Channel Wide Ultra3 SCSI Adapter
SDLT 110/220-GB, Internal	Up to 1	A, B	64-bit/66-MHz Dual Channel Wide Ultra3 SCSI Adapter
			64-bit/66-MHz Single Channel Wide Ultra3 SCSI Adapter
Internal 20/40-GB DLT	1	A + B (two bays)	Integrated Dual Channel Wide Ultra2 SCSI Adapter
			Compaq Wide-Ultra SCSI-3 Adapter
			64-bit/66-MHz Dual Channel Wide Ultra3 SCSI Adapter
			64-bit/66-MHz Single Channel Wide Ultra3 SCSI Adapter
20/40-GB DAT DDS-4 8 Cassette Autoloader	1	External	Integrated Dual Channel Wide Ultra2 SCSI Adapter
			Compaq Wide-Ultra SCSI-3 Adapter
			Integrated Smart Array Controller Module (optional)
			64-bit/66-MHz Dual Channel Wide Ultra3 SCSI Adapter
			64-bit/66-MHz Single Channel Wide Ultra3 SCSI Adapter
AIT 50-GB External	1	External	Integrated Dual Channel Wide Ultra2 SCSI Adapter
AIT 35-GB, LVD External			Compaq Wide-Ultra SCSI-3 Adapter
			Integrated Smart Array Controller Module (optional)
			64-bit/66-MHz Dual Channel Wide Ultra3 SCSI Adapter
			64-bit/66-MHz Single Channel Wide Ultra3 SCSI Adapter

## Storage

### DRIVE SUPPORT *(continued)*

	Quantity Supported	Position Supported	Controller
DLT Tape Array III	1 to 4	External	Integrated Dual Channel Wide Ultra2 SCSI Adapter Compaq Wide-Ultra SCSI-3 Adapter
SDLT 110/220-GB, External	Up to 2	External	64-bit/66-MHz Dual Channel Wide Ultra3 SCSI Adapter 64-bit/66-MHz Single Channel Wide Ultra3 SCSI Adapter
External 40/80-GB DLT Enhanced External 20/40-GB DLT	Up to 3	External	Integrated Dual Channel Wide Ultra2 SCSI Adapter Compaq Wide-Ultra SCSI-3 Adapter 64-bit/66-MHz Dual Channel Wide Ultra3 SCSI Adapter 64-bit/66-MHz Single Channel Wide Ultra3 SCSI Adapter
TA1000 AIT Tape Array	Up to 1	External	Compaq Wide-Ultra SCSI-3 Adapter 64-bit Dual Channel Wide Ultra2 SCSI Adapter 64-bit/66-MHz Dual Channel Wide Ultra3 SCSI Adapter
SSL2020 AIT Mini-Library	Up to 5	External	64-bit Dual Channel Wide Ultra2 SCSI Adapter 64-bit/66-MHz Dual Channel Wide Ultra3 SCSI Adapter SAN Access Module for Smart Array 5302 Controller Smart Array 5302/FC Controller
MSL5026DLX (40/80GB DLT-based) ISL5026SL (SDLT-based) Library	2 drives per SCSI channel	External	64-Bit Dual Channel Wide Ultra2 SCSI Adapter 64-Bit/66-MHz Dual Channel Wide Ultra3 SCSI Adapter
TL891DLX DLT Library	2 drives per SCSI channel	External	64-bit Dual Channel Wide Ultra2 SCSI Adapter 64-bit/66-MHz Dual Channel Wide Ultra3 SCSI Adapter SAN Access Module for Smart Array 5302 Controller Smart Array 5302/FC Controller

## Technical Specifications

<b>System Unit Tower</b>	<b>Dimensions</b>	18.63 x 10.63 x 22.67 in/47.32 x 27 x 57.58 cm		
	<b>Weight</b>	63 lbs/28.35 kg (without hard drives, no RPS)		
	<b>Input Requirements</b>	Range Line Voltage	90 to 132 VAC/180 to 265 VAC	
		Rated Input Voltage	100 to 120 VAC/220 to 240 VAC	
		Rated Input Frequency	50 to 60 Hz	
		Rated Input Current	6A (110 V) to 3A (220 V)	
		Rated Input Power	550W	
	<b>BTU Rating</b>	1,880 BTU/HR		
	<b>SCSI Connectors</b>	Three HD68 connectors (2 internal, 1 external) supporting Ultra2		
	<b>Power Supply Output Power</b>	Steady State Power	325W	
		Maximum Peak Power	350W	
	<b>Temperature Range</b>	Operating	50° to 93° F/10° to 35° C	
		Shipping	-22° to 122° F/-30° to 50° C	
	<b>Relative Humidity (non-condensing)</b>	Operating	8% to 90%	
Non-operating		5% to 95%		
<b>Maximum Wet Bulb Temperature</b>	101.7°F/38.7°C			
<b>Acoustic Noise</b>	Idle (Fixed Disk Drives Spinning)	<b>L<sub>wAd</sub></b> (BELS)	5.9	
		<b>L<sub>pAm</sub></b> (dBA)	41	
	Operating (Random Seeks to Fixed Disks)	<b>L<sub>wAd</sub></b> (BELS)	6.0	
		<b>L<sub>pAm</sub></b> (dBA)	42	

<b>System Unit Rack</b>	<b>Dimensions</b>	8.67 x 19 x 22.75 in/22 x 48.34 x 55.9 cm		
	<b>Weight</b>	63 lbs/28.35 kg (without hard drives, no RPS)		
	<b>Input Requirements</b>	Range Line Voltage	90 to 132 VAC/180 to 265 VAC	
		Rated Input Voltage	100 to 120 VAC/220 to 240 VAC	
		Rated Input Frequency	50 to 60 Hz	
		Rated Input Current	6A (110 V) to 3A (220 V)	
		Rated Input Power	550W	
	<b>BTU Rating</b>	1,880 BTU/HR		
	<b>SCSI Connectors</b>	Three HD68 connectors (2 internal, 1 external) supporting Ultra2		
	<b>Power Supply Output Power</b>	Steady-State Power	325W	
Maximum Peak Power		350W		

## Technical Specifications

<b>System Unit Rack</b> <i>(continued)</i>	<b>Temperature Range</b>	Operating	50° to 93° F/10° to 35° C	
		Shipping	-22° to 122° F/-30° to 50° C	
	<b>Relative Humidity</b> (non-condensing)	Operating	8% to 90%	
		Non-operating	5% to 95%	
<b>Maximum Wet Bulb Temperature</b>		101.7° F/38.7° C		
	<b>Acoustic Noise</b>	Idle (Fixed Disk Drives Spinning)		
		<b>L<sub>WA</sub></b> (BELS)	5.9	
	<b>L<sub>pA</sub></b> (dBA)	41		
	Operating (Random Seeks to Fixed Disks)			
	<b>L<sub>WA</sub></b> (BELS)	6.0		
	<b>L<sub>pA</sub></b> (dBA)	42		
<b>Optional Redundant Power Supply</b>	<b>Input Requirements</b>	Rated Input Voltage	100 to 240 VAC	
		Rated Input Frequency	50 to 60 Hz	
		Rated Input Current	8A (110 V) 4A (220 V)	
		Rated Input Power	728W	
	<b>BTU Rating</b>	2,490 BTU/HR		
	<b>Power Supply Output Power</b>	Steady State Power	400W	
		Maximum Peak Power	445W	
	<b>Temperature Range</b>	Operating	50° to 93° F/10° to 35° C	
		Shipping	-22° to 122° F/-30° to 50° C	
	<b>Relative Humidity</b> (non-condensing)	Operating	8% to 90%	
Non-operating		5% to 95%		
<b>Maximum Wet Bulb Temperature</b>		101.7° F/38.7° C		
<b>1.44-MB Diskette Drive</b>	<b>Diskette Size</b>	3.5 in		
	<b>LED Indicators</b> (front panel)	Green		
	<b>Read/Write Capacity per Diskette</b> (high/low density)	1.44 MB/720 KB		
	<b>Drive Supported</b>	One		
	<b>Drive Height</b>	One-third		
	<b>Drive Rotation</b>	300 rpm		
	<b>Transfer Rate</b> (high/low)	500/250 Kb/s		
	<b>Bytes/Sector</b>	512		
	<b>Sectors/Track</b> (high/low)	18/9		
	<b>Tracks/Side</b> (high/low)	80/80		
	<b>Access Times</b>	Track-to-Track (high/low)	3/6 ms	
		Average (high/low)	94/169 ms	
		Settling Time	15 ms	
		Latency Average	100 ms	
<b>Cylinders</b> (high/low)	80/80			
<b>Read/Write Heads</b>	Two			

## Technical Specifications

Hot Plug Wide Ultra3 SCSI Hard Drives	72.8 GB10K 232432-B22	<b>Capacity</b>	72837.2 MB		
		<b>Height</b>	1.0 in/25.4 mm		
		<b>Width</b>	4.0 in/101.6 mm		
		<b>Interface</b>	Wide Ultra3 SCSI		
		<b>Transfer Rate Synchronous (Maximum)</b>	160 MB/s		
		<b>Seek Time</b> (typical reads, including settling)	Single Track	0.3 ms	
			Average	4.5 ms	
			Full-Stroke	11 ms	
		<b>Physical Configuration</b>	Rotational Speed	10,000 rpm	
			Bytes/Sector	512	
			Logical Blocks	142,264,000	
		<b>Operating Temperature</b>	41° to 131°F/5° to 55°C		
			36.4 GB 10K 176496-B22	<b>Capacity</b>	36419.2 MB
<b>Height</b>	1 in/25.4 mm				
<b>Width</b>	4.0 in/101.6 mm				
<b>Interface</b>	Wide Ultra3 SCSI				
<b>Transfer Rate Synchronous (Maximum)</b>	160 MB/s				
<b>Seek Time</b> (typical reads, including settling)	Single Track			0.9 ms	
	Average			5.7 ms	
	Full-Stroke			13 ms	
<b>Physical Configuration</b>	Rotational Speed			10,000 rpm	
	Bytes/Sector			512	
	Logical Blocks			71,132,000	
<b>Operating Temperature</b>	50° to 95° F/10° to 35° C				
	18.2 GB 10K 142673-B22			<b>Capacity</b>	18209.3 MB
		<b>Height</b>	1 in/25.4 mm		
		<b>Width</b>	4.0 in/101.6 mm		
		<b>Interface</b>	Wide Ultra3 SCSI		
		<b>Transfer Rate Synchronous (Maximum)</b>	160 MB/s		
		<b>Seek Time</b> (typical reads, including settling)	Single Track	0.9 ms	
			Average	5.5 ms	
			Full-Stroke	12 ms	
		<b>Physical Configuration</b>	Rotational Speed	10,000 rpm	
			Bytes/Sector	512	
			Logical Blocks	35,565,080	
		<b>Operating Temperature</b>	50° to 95° F/10° to 35° C		

## Technical Specifications

Hot Plug Wide Ultra3 SCSI Hard Drives <i>(continued)</i>	36.4 GB 15K	<b>Capacity</b>	36419.2 MB	
	232916-B22	<b>Height</b>	1 in/25.4 mm	
		<b>Width</b>	4.0 in/101.6 mm	
		<b>Interface</b>	Wide Ultra3 SCSI	
		<b>Transfer Rate Synchronous (Maximum)</b>	160 MB/s	
		<b>Seek Time</b> (typical reads, including settling)	Single Track	0.4 ms
			Average	3.8 ms
			Full-Stroke	7 ms
		<b>Physical Configuration</b>	Rotational Speed	15,000 rpm
			Bytes/Sector	512
			Logical Blocks	71,132,000
		<b>Operating Temperature</b>	50° to 95° F/10° to 35° C	
	<hr/>			
	18.2 GB 15K	<b>Capacity</b>	18209.3 MB	
	188122-B22	<b>Height</b>	1 in/25.4 mm	
		<b>Width</b>	4.0 in/101.6 mm	
		<b>Interface</b>	Wide Ultra3 SCSI	
		<b>Transfer Rate Synchronous (Maximum)</b>	160 MB/s	
	<b>Seek Time</b> (typical reads, including settling)	Single Track	0.7 ms	
		Average	3.9 ms	
		Full-Stroke	12 ms	
	<b>Physical Configuration</b>	Rotational Speed	15,000 rpm	
		Bytes/Sector	512	
		Logical Blocks	35,565,080	
	<b>Operating Temperature</b>	50° to 95°F /10° to 35° C		

## Technical Specifications

Non-Hot Plug Wide Ultra3 SCSI Hard Drives	36.4 GB 10K	<b>Capacity</b>	36419.5 MB	
	176497-B21	<b>Height</b>	1 in/25.4 mm	
		<b>Width</b>	4.0 in/101.6 mm	
		<b>Interface</b>	Wide Ultra3 SCSI	
		<b>Transfer Rate Synchronous (Maximum)</b>	160 MB/s	
		<b>Seek Time</b> (typical reads, including settling)	Single Track	0.9 ms
			Average	5.7 ms
			Full-Stroke	13 ms
		<b>Physical Configuration</b>	Rotational Speed	10,000 rpm
			Bytes/Sector	512
			Logical Blocks	71,132,000
		<b>Operating Temperature</b>	50° to 95° F/10° to 35° C	
	<hr/>			
	18.2 GB 10K	<b>Capacity</b>	18209.3 MB	
	142674-B21	<b>Height</b>	1 in/25.4 mm	
		<b>Width</b>	4.0 in/101.6 mm	
		<b>Interface</b>	Wide Ultra3 SCSI	
		<b>Transfer Rate Synchronous (Maximum)</b>	160 MB/s	
	<b>Seek Time</b> (typical reads, including settling)	Single Track	0.9 ms	
		Average	5.5 ms	
		Full-Stroke	12 ms	
	<b>Physical Configuration</b>	Rotational Speed	10,000 rpm	
		Bytes/Sector	512	
		Logical Blocks	35,565,080	
	<b>Operating Temperature</b>	50° to 95° F/10° to 35° C		

## Technical Specifications

<b>40X Max IDE CD-ROM Drive</b>	<b>Disk</b>	<b>Applicable Disk</b>	CD-ROM, CD-XA, CD-DA (Mode 1, Mode 2, Form 1 and 2) Photo CD (Single and Multi-session) Mixed Mode (Audio and Data combined) CD-R
		<b>Capacity</b>	540 MB (Mode 1, 12 cm) 650 MB (Mode 2, 12 cm)
	<b>Block Size</b>	Mode 1 Mode 2 CD-DA CD-XA	2,048 bytes 2,340 bytes, 2,336 bytes 2,352 bytes 2,328 bytes
	<b>Interface</b>	IDE (ATAPI)	
	<b>Access Times (typical)</b>	Random Full-Stroke	100 ms 150 ms
	<b>Audio Output Level</b>	Line-Out	0.7 VRMS at 47 kOhms
	<b>Data Transfer Rate</b>	Sustained Burst	150 KB/s (1X audio) 16.67 Mbytes/sec
	<b>Cache Buffer</b>	128 KB	
	<b>Start-up Time (typical)</b>	< 7 seconds	
	<b>Stop Time</b>	< 4 seconds	
	<b>Laser Parameters</b>	Type Wave Length	Semiconductor Laser GaA1As 780 ± 25 nm
	<b>Operating Conditions</b>	Temperature Humidity	41° to 113° F/5° to 45° C 10% to 80%
	<b>Dimensions</b>	(HxWxD, maximum) Weight	1.7 x 5.85 x 8.11 in/4.29 x 150 x 208 cm 2.09 lbs/0.95 kg



## Technical Specifications

32X Max IDE CD-ROM Drive	Disk	Applicable Disk	CD-ROM (Mode 1 and 2) CD-DA, CD-XA (Mode 2, Form 1 and 2) Photo CD (Single and Multi-session) Mixed Mode (Audio and Data combined) CD-Recordable CD-Rewritable
		Capacity	540 MB (Mode 1, 12 cm) 650 MB (Mode 2, 12 cm)
<b>Block Size</b>		Mode 1	2,048
		Mode 2	2,340, 2,336,
		CD-DA	2,352 bytes
		CD-XA	2,328 bytes
<b>Access Times (typical)</b>		Random	<100 ms
		Full-Stroke	<150 ms
<b>Diameter</b>		4.7 in, 3.15 in/12/cm, 8 cm	
<b>Thickness</b>		0.05 in/1.2 mm	
<b>Track Pitch</b>		1.6 $\mu$ m	
<b>Audio Output Level</b>		Line-Out	0.7 VRMS at 47 kOhms
		Headphone	0.6 VRMS at 32 Ohms (maximum volume)
<b>Data Transfer Rate</b>		Sustained	150 KB/s (sustained 1X)
		Burst	2100 to 4800 KB/s (14X to 32X)
<b>Cache Buffer</b>		128 KB	
<b>Start-up Time (typical)</b>		< 7 seconds; < 30 seconds (multi-session)	
<b>Stop Time</b>		< 4 seconds; < 30 seconds (multi-session)	
<b>Laser Parameters</b>		Type	Semiconductor Laser GaA1As
		Wave Length	780 $\pm$ 25 nm
		Divergence Angle	53.5 $^{\circ}$ $\pm$ 1.5 $^{\circ}$
		Output Power	0.14mW
<b>Operating Conditions</b>		Temperature	41 $^{\circ}$ to 118 $^{\circ}$ F/5 $^{\circ}$ to 45 $^{\circ}$ C
		Humidity	10% to 80%
<b>Dimensions</b>		(HxWxD, maximum)	1.88 x 5.85 x 8.11 in/42.9 x 15 x 208 cm
		Weight	2.09 lbs/0.95 kg

## Technical Specifications

<b>Integrated Dual Channel Wide Ultra2 SCSI Adapter</b>	<b>Drives Supported</b>	Up to 15 SCSI devices per channel
	<b>Data Transfer Method</b>	32-bit PCI bus-master
	<b>SCSI Channel Transfer Rate</b>	80 MB/s per channel
	<b>Maximum Transfer Rate per PCI Bus (peak)</b>	133 MB/s
	<b>SCSI Termination</b>	Active Termination
	<b>SCSI Connectors</b>	1 external, 2 internal (68-pin)
<b>Compaq NC3163 Fast Ethernet NIC Embedded 10/100 WOL (Wake On LAN)</b>	<b>Network Interface</b>	10Base-T/100Base-TX
	<b>Compatibility</b>	IEEE 802.3/802.3u compliant
	<b>Data Transfer Method</b>	32-bit bus-master PCI
	<b>Network Transfer Rate</b>	
	10Base-T (Half-Duplex)	10 Mb/s
	10Base-T (Full-Duplex)	20 Mb/s
	100Base-TX (Half-Duplex)	100 Mb/s
	100Base-TX (Full-Duplex)	200 Mb/s
	<b>Connector</b>	RJ-45
	<b>Cable Support</b>	
10Base-T	Categories 3, 4 or 5 UTP; up to 328 feet (100 meters)	
100Base-TX	Category 5 UTP; up to 328 feet (100 meters)	
<b>Video Controller</b>	<b>Controller Chip</b>	ATI RAGE IIC PCI
	<b>Video DRAM</b>	4 MB Video SDRAM
	<b>Data Transfer Method</b>	32-bit PCI
	<b>Support Resolution</b>	Supported Color Depths:
	640 x 480	16.7M, 64K, 256, 16
	800 x 600	16.7M, 64K, 256, 16
	1024 x 768	16.7M, 64K, 256, 16
	1152 x 864	16.7M, 64K, 256, 16
	1280 x 1024	16.7M, 64K, 256, 16
	1600 x 1200	64K, 256, 16
<b>Connector</b>	VGA	

## Technical Specifications

Integrated Smart Array Controller (Optional)	Data Compatible with all Smart Array Controllers	Yes	
	Instant Upgrades to other Smart Array Controllers	Yes	
	Consistent Software Manageability Tools	Yes	
	PCI Bus	32 bit, 33 MHz (integrated on server board)	
	PCI Peak Data Transfer Rate	133 MB/s	
	SCSI Protocols Supported	Ultra2, Wide-Ultra	
	SCSI Peak Data Transfer Rate	80 MB/s	
	Note: For ProLiant servers having TWO internal drive bays on separate SCSI ports: SCSI Peak Data Transfer Rate is 160 MB/s total; 80 MB/s per channel and Channels is 2.		
	Channels	1	
	Note: For ProLiant servers having TWO internal drive bays on separate SCSI ports: SCSI Peak Data Transfer Rate is 160 MB/s total; 80 MB/s per channel and Channels is 2.		
	SCSI Ports (external/internal)	0/1	
	Note: For ProLiant servers having TWO internal drive bays on separate SCSI ports: SCSI Peak Data Transfer Rate is 160 MB/s total; 80 MB/s per channel and Channels is 2.		
	Drives Supported (maximum)	Maximum = total number of internal drives	
	Note: Maximum is the total number of internal drives on each specific ProLiant server.		
	Cache	8-MB read only	
	RAID Support	0, 1, 1+0, 5	
	Logical Drives (maximum)	32	
	Online Configuration	Yes	
	Online Capacity Expansion	Yes	
	Logical Drive Capacity Extension	Yes	
	Online Stripe Size Migration	Yes	
	Online RAID Level Migration	Yes	
	Online Spare Support	Yes	
Automatic Data Recovery	Yes		
Drive Roaming	Yes		
Redundant Controllers	No		
Smart Array 431 Controller	Data Compatible with all Smart Array Controllers	Yes	
	Instant Upgrades to other Smart Array Controllers	Yes	
	Consistent Software Manageability Tools	Yes	
	PCI Bus	64-bit,33MHz	
	PCI Peak Data Transfer Rate	266 MB/s	
	SCSI Protocols Supported	Ultra3, Ultra2, Wide-Ultra	
	SCSI Peak Data Transfer Rate	160 MB/s	
	Channels	1	
	SCSI Ports (external/internal)	1/1	
	Drives Supported (maximum)	14	
	Note: Drives Supported (maximum) is based on use of StorageWorks Enclosure 4200/4300 family (14 hard disk drive enclosure).		
	Cache	16-MB cache engine	
	RAID Support	0, 1, 1+0, 5	
	Logical Drives (maximum)	32	
	Online Configuration	Yes	
	Online Capacity Expansion	Yes	
	Logical Drive Capacity Extension	Yes	
	Online Stripe Size Migration	Yes	
	Online RAID Level Migration	Yes	
	Online Spare Support	Yes	
	Automatic Data Recovery	Yes	
	Drive Roaming	Yes	
	Redundant Controllers	No	

## Technical Specifications

Smart Array 5300 Controller	Data Compatible with all Smart Array Controllers	Yes
	Instant Upgrades to other Smart Array Controllers	Yes
	Consistent Software Manageability Tools	Yes
	PCI Bus	64-bit, 66MHz
	PCI Peak Data Transfer Rate	533 MB/s
	SCSI Protocols Supported	Ultra3, Ultra2, Wide-Ultra
	SCSI Peak Data Transfer Rate	640 MB/s total, 160 MB/s per channel
	Channels	2, 4
	SCSI Ports (external/internal)	2 channel model: 2/2 4 channel model: 4/2
	Drives Supported (maximum)	56
	Note: Drives Supported (maximum) is based on use of <i>StorageWorks</i> Enclosure 4200 family. (14 hard disk drive enclosure)	
	Cache	128, 64 or 32 MB battery backed read-write
	RAID Support	0, 1, 1+0, 5, Advanced Data Guarding
	Note: For customers who have purchased the SA-5304/128 a quick firmware upgrades to enable the technology will be available from <a href="http://www.compaq.com/smartarray">www.compaq.com/smartarray</a> .	
	Note: RAID Support: Advanced Data Guarding (RAID ADG) is available with 128-MB versions of the SA-5300 only.	
	Logical Drives (maximum)	32
	Online Configuration	Yes
	Online Capacity Expansion	Yes
	Logical Drive Capacity Extension	Yes
	Online Stripe Size Migration	Yes
	Online RAID Level Migration	Yes
	Online Spare Support	Yes
	Automatic Data Recovery	Yes
	Drive Roaming	Yes
	Redundant Controllers	No
64-bit/66-MHz Single Channel Wide Ultra3 SCSI Adapter	Drives Supported	Up to 14 SCSI devices
	Storage Capacity	254.8 GB
	Data Transfer Method	64-bit/66-MHz PCI bus-master
	Maximum SCSI Channel Transfer Rate	160 MB/s per channel
	Maximum Transfer Rate per PCI Bus (peak)	532 MB/s per channel
	SCSI Protocols	Wide Ultra3 SCSI Wide Ultra2 SCSI Wide-Ultra SCSI-3 Fast-Wide SCSI-2 Fast SCSI-2
	Electrical Protocol	Low Voltage Differential (LVD)
	SCSI Termination	Active Termination
	External SCSI Connectors	One 68-Pin Wide Ultra SCSI-3 connector
	Internal SCSI Connectors	Two 68-Pin Wide Ultra SCSI-3 connectors (one LVD and one SE) One 50-Pin Narrow Ultra connector

## Technical Specifications

64-bit/66-MHz Dual Channel Wide Ultra3 SCSI Adapter	<b>Drives Supported</b>	Up to 28 SCSI devices (14 per channel)
	<b>Storage Capacity</b>	509.6 GB
	<b>Data Transfer Method</b>	64-bit/66-MHz PCI bus-master
	<b>Maximum SCSI Channel Transfer Rate</b>	160 MB/s per channel
	<b>Maximum Transfer Rate per PCI Bus (peak)</b>	532 MB/s per channel
	<b>SCSI Protocols</b>	Wide Ultra3 SCSI Wide Ultra2 SCSI Wide-Ultra SCSI-3 Fast SCSI-2
	<b>Electrical Protocol</b>	Low Voltage Differential (LVD)
	<b>SCSI Termination</b>	Active Termination
	<b>External SCSI Connectors</b>	Two 68-Pin VHDCI connectors
	<b>Internal SCSI Connectors</b>	Two 68-Pin Wide Ultra SCSI-3 connectors One 50-Pin Narrow Ultra connector

<b>Compaq Rack 10642</b> (42U)(optional)	<b>Dimensions</b>	<b>Total Cabinet</b>	<b>Shipping</b>	<b>Color</b>
	Height	78.7 in/2,000 mm	86.22 in/2,190 mm	
	Depth	39.691 in/1,008.17 mm	48 in/1,219.2 mm	Graphite Metallic – doors
	Width	24 in/612.77 mm	32 in/812.8 mm	Carbon – frame
	Weight	253 lbs/114.84 kg	325 lbs/147.52 kg	

<b>Compaq Rack 10622</b> (22U)(optional)	<b>Dimensions</b>	<b>Total Cabinet</b>	<b>Shipping</b>	<b>Color</b>
	Height	43 in/1,092 mm	52.25 in/1,327.15 mm	
	Depth	39.691 in/1,008.17 mm	48 in/1,219.2 mm	Graphite Metallic – doors
	Width	24 in/612.77 mm	32 in/812.8 mm	Carbon – frame
	Weight	176 lbs/79.89 kg	225 lbs/102.13 kg	

<b>Compaq Rack 9842</b> (42U)(optional)	<b>Dimensions</b>	<b>Total Cabinet</b>	<b>Shipping</b>	<b>Color</b>
	Height	78.7 in/2,000 mm	86.22 in/2,190 mm	
	Depth	35.8 in/909 mm	48 in/1219.2 mm	Opal
	Width	31.5 in/800 mm	38.8 in/985.52 mm	
	Weight	374 lbs/170 kg	440 lbs/200 kg	

<b>Compaq Rack 9142</b> (42U)(optional)	<b>Dimensions</b>	<b>Total Cabinet</b>	<b>Shipping</b>	<b>Color</b>
	Height	78.7 in/2,000 mm	83.38 in/2,168.65 mm	
	Depth	35.8 in/909 mm	48 in/1219.2 mm	Opal
	Width	23.7 in/603 mm	32 in/812.8 mm	
	Weight	253 lbs/114.84 kg	325 lbs/147.52 kg	

<b>Compaq Rack 9136</b> (36U)(optional)	<b>Dimensions</b>	<b>Total Cabinet</b>	<b>Shipping</b>	<b>Color</b>
	Height	68.6 in/1,742 mm	75.25 in/1,911.35 mm	
	Depth	35.8 in/909 mm	48 in/1219.2 mm	Opal
	Width	23.7 in/603 mm	32 in/812.8 mm	
	Weight	165 lbs/75 kg	234 lbs/106 kg	

<b>Compaq Rack 9122</b> (22U)(optional)	<b>Dimensions</b>	<b>Total Cabinet</b>	<b>Shipping</b>	<b>Color</b>
	Height	43 in/1,092 mm	52.25 in/1,327.15 mm	
	Depth	35.8 in/909 mm	48 in/1219.2 mm	Opal
	Width	24 in/610 mm	32 in/812.8 mm	
	Weight	176 lbs/79.89 kg	225 lbs/102.13 kg	