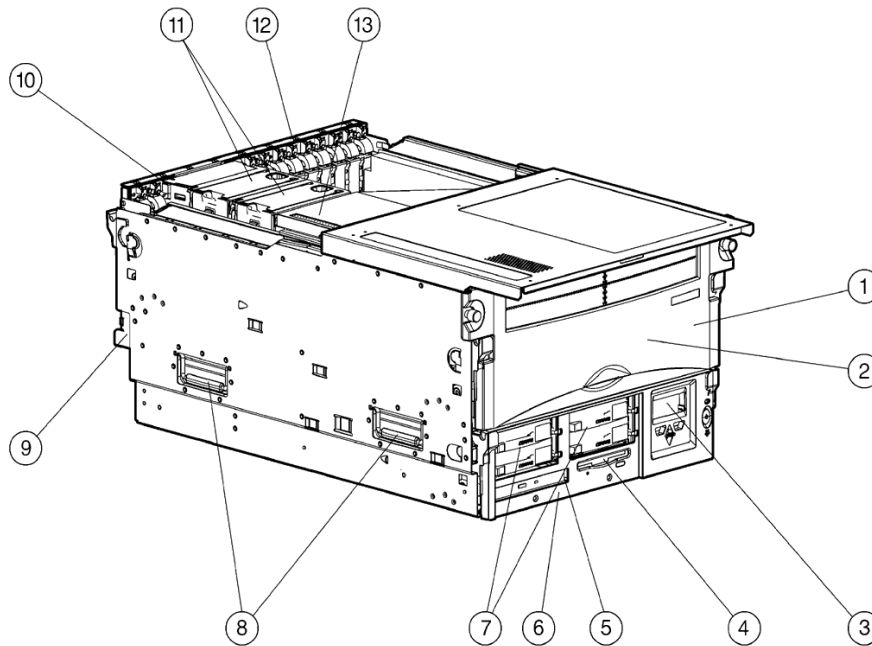


Overview



1. Processor/Memory Module
2. One to eight Pentium III Xeon Processors with Redundant Processor Power Module
3. Integrated Management Display (IMD)
4. Integrated 1.44-MB Diskette Drive
5. Integrated 24X IDE CD-ROM Drive, Low Profile
6. Media Module
7. Four 1" Wide Ultra2/Ultra3 SCSI Hot Plug Drive Bays
8. Integrated Lift Handles
9. Two Redundant Hot Plug Power Supplies
10. I/O Module
11. Redundant Hot Plug Fans
12. Eleven 64-bit PCI-X and PCI I/O expansion slots, all Hot Plug (10 x 100 MHz PCI-X and 1 x 33 MHz PCI)
13. System Interconnect Status Indicator

What's New

- Datacenter OS Install Option Kit
- Intel® Pentium® III Xeon 900 MHz processors (eight processor capability)

At A Glance

- The ultimate high-density data center server delivering breakthrough 8-way scalable performance for 7 x 24 multi-server rack environments
- 7U rack-optimized design
- Innovative modular design for increased ease of serviceability and future upgradeability
- PCI-X for Profusion developed and licensed by Compaq
- Intel Pentium III Xeon 900 MHz or 700 MHz processors (eight processor capability)
- 1-MB and 2-MB L2 Cache with 700 MHz
- 2MB L2 Cache with 900 MHz
- ECC-protected memory bus and cache
- 100 MHz SDRAM DIMM 2-way interleaved memory that is expandable to 16 GB
- Integrated Smart Array Controller (Ultra2 support) (RAID 0, 1 + 0, 5 support)
- Integrated Compaq NC3134 Fast Ethernet NIC 64 PCI Dual Port 10/100 in a slot, upgradeable to Gigabit
- Internal Hot Plug Drive Storage of 584.2 GB (4 x 1" 146.8-GB Ultra320 hard drives)
- ROM-Based Setup Utility (RBSU)
- Robust set of hot plug and redundant features including PCI/PCI-X Hot Plug, hot plug drive bays, redundant hot plug fans and power supplies and support for ECC memory, redundant NICs, ASR-2
- Remote-Flash Redundant ROM
- Protected by HP Services, including a three-year, Next Business Day on-site, limited, Global warranty and extended Pre-Failure Warranty that covers processors, memory and disk drives — Certain restrictions and exclusions apply. Consult the Customer Support Center at 1-800-345-1518 for details.

Standard Features

Processor Intel Pentium III Xeon processors 900 MHz
One of the following depending on Model: Intel Pentium III Xeon processors 700 MHz

Cache Memory 2-MB level 2 writeback cache per processor standard
One of the following depending on Model: (NOTE: Available with 900 MHz 4P Models or 700 MHz 4P Models.)
 1-MB level 2 writeback cache per processor standard
 (NOTE: Available with 700 MHz 2P Models only.)

Cache Accelerator Two Cache Accelerators Standard

Upgradability Upgradable to eight processors

Chipset Profusion developed and licensed by Compaq

Memory Standard 2048 MB ECC protected 100MHz ECC SDRAM DIMMs
One of the following depending on Model: (4P Models)
 Maximum 16 GB
 Standard 1024 MB ECC protected 100MHz ECC SDRAM DIMMs
 (2P Models)
 Maximum 16 GB

Network Controller Integrated Compaq NC3134 Fast Ethernet NIC 64 PCI Dual Port 10/100 in a slot, upgradeable to Gigabit

Expansion Slots I/O PCI Voltage:
 (11 Total – 64-bit PCI-X and PCI, all Hot Pluggable)
 PCI-X 100-MHz or PCI 66-MHz (Hot Plug) 2 (Tertiary – slots 10, 11) Optimized for PCI-X 133MHz and PCI 66MHz adapters 3.3 Volt (keyed for 3.3 Volt or universal PCI-X/ PCI cards)
 PCI-X 50-MHz or PCI 33-MHz (Hot Plug) 6 (Secondary – slots 1, 2, 3, 4, 5, 6) Optimized for PCI-X 66MHz adapters 53.3 Volt (keyed for 3.3 Volt or universal PCI-X/ PCI cards)
 PCI 33-MHz (Hot Plug) 3 (Primary – slots 7, 8, 9) 5 Volt (keyed for 5 Volt PCI or universal cards)
NOTE: For more information regarding PCI-X, please see the following URL:
<http://h18000.www1.hp.com/products/servers/technology/pci-x-enablement.html>.

Storage Controllers Integrated Smart Array Controller supports (Ultra2 or Ultra3 hard drives at Ultra2 speed) (One Internal Channel for RAID Capability for internal drives and one External Channel for tape support only)
NOTE: The Integrated Smart Array Controller is embedded on the system board.
 Optional support for Ultra3 storage controller in an I/O slot

Standard Features

Storage	Diskette Drives	Integrated 1.44 MB Floppy Drive
	CD-ROM	Integrated 24x IDE CD-ROM drive Low-Profile
	Hard Drives	None
	Maximum Internal Storage	587.2 GB (4 x 146.8 GB Ultra320 1" Drives) (internal hot plug cage only)

Interfaces	Parallel	1
	Serial	2
	Pointing Device (Mouse)	1
	Graphics	1
	Keyboard	1
	SCSI Tape Port (VHDCI)	1
	Network RJ-45	2

Graphics	Integrated 1280 x 1024 x 256 colors PCI Video controller with 2 MB of video SDRAM memory
-----------------	--

Form Factor	7U Rack Form Factor; Ships with sliding rack rails and cable management arm; Standard 19 in (48.3 cm) rack-mountable
--------------------	--

Standard Features

ProLiant Essentials Foundation Pack Software

Insight Manager 7

Insight Manager 7 helps maximize system uptime and performance and reduces the cost of maintaining the IT infrastructure by providing proactive notification of problems before those problems result in costly downtime and reduced productivity. Insight Manager 7 is easy to set up and provides rapid access to detailed fault and performance information gathered by the Management Agents. One-click access to the Integrated Lights-Out or Remote Insight Lights Out Edition board allows systems administrators to take full graphical control of ProLiant servers in remote locations or lights-out data centers. Finally, Insight Manager 7 in concert with the Version Control Agents and Version Control Repository Manager enables systems administrators to version manage and update system software across groups of ProLiant servers.

SmartStart

SmartStart is a tool that simplifies server setup, providing a rapid way to deploy reliable and consistent server configurations. For more information, please visit the SmartStart Web site at <http://www.hp.com/servers/smartstart>.
SmartStart version supported (minimum): SmartStart 5.00.

Management Agents

The Management Agents form the foundation for HP's Intelligent Manageability strategy. They provide direct, browser-based access to in-depth instrumentation built into HP servers, workstations, desktops, and portables, and send alerts to Insight Manager 7 and other enterprise management applications in case of subsystem or environmental failures. For additional information about the Management Agents and other management products from HP, please visit the management Web site at <http://www.hp.com/servers/manage>.

ActiveUpdate

Active Update is a web-based application that keeps IT managers directly connected to HP for proactive notification and delivery of the latest software updates.

ROMPaq, support software, and configuration utilities

The latest software, drivers, and firmware fully optimized and tested for your ProLiant server and options.

Survey Utility and diagnostics utilities

The most advanced configuration analysis, reporting and troubleshooting utilities used by HP and at your fingertips.

Optional ProLiant Essentials Value Packs

Optional software offerings that selectively extend the functionality of an Adaptive Infrastructure to address specific business problems and needs:

- Rapid Deployment Pack – an automated solution for multi-server deployment and provisioning, enabling companies to quickly and easily adapt to changing business demands.
- Workload Management Pack – provides easier management of complex environments, improving overall server utilization and enabling Windows® 2000 customers for the first time to confidently deploy multiple applications on a single multiprocessor ProLiant Server.
- Performance Management Pack – a performance management solution that identifies and explains hardware performance bottlenecks on ProLiant servers and attached options enabling users to better utilize their valuable resources.

NOTE: Flexible and volume quantity license kits are available for ProLiant Essentials Value Packs. Refer to <http://www.hp.com/servers/proliantessentials> or the various ProLiant Essentials Value Pack product QuickSpecs for more information.

NOTE: For more information regarding ProLiant Essentials Software, please see the following URL: <http://www.hp.com/servers/proliantessentials>.

Industry Standard Compliance

ACPI 1.0b Compliant
PCI-X and PCI 2.2 Compliant
PAE Support
Microsoft® Logo certifications

Standard Features

Manageability

Insight Manager 7
Remote Insight Lights-Out Edition (optional)
ROM-Based Setup Utility (RBSU)
Integrated Management Display (IMD)
Server Health logging
Automatic Server Recovery-2 (ASR-2)
System Interconnect Status Indicators
Remote-Flash Redundant ROM
Hot Spare Boot (**NOTE:** Upon the event of a failed processor or VRM in a multi-processing environment, the system will automatically reboot and use the remaining good processor(s).)
Power Down Utility
Power Supply Viewer
Pre-Failure Warranty (covers processors, as well as hard drives and memory)

Availability

PCI-X/PCI Hot Plug with push button functionality
Redundant Hot Plug Fans
Smart Array 5300 Controller (optional)
Dynamic sector repairing and drive parameter tracking (with Smart Array controllers)
Redundant Processor Power Modules
Redundant/adaptive load balancing NIC Support
Hot Plug Dual Port 10/100 TX NIC
Redundant Hot Plug Power Supplies
ECC Memory

Security

Power-on password
Hot plug keyboard password
Diskette drive control
Diskette boot control
Network server mode
Security provision
Parallel and serial interface control
Administrator's password
Disk configuration lock
Hot plug access security

Server Power Cords

Two Lowline power cords & two Highline power cords ships standard (North America)
Two Highline power cord ships standard (ROW)

Power Supply

Two Redundant Hot Plug 1150/500-Watt power supplies per system. Power supplies are load sharing and provide 1150 Watts of Redundant power for 220 volt input or 500 Watts of Redundant power for 110 volt input.
NOTE: To ensure redundancy of server power, Compaq recommends that 200-240 VAC power be used for all deployments. This will ensure that both power supplies can support up to their maximum configurations, and remain in a redundant power supply state.
NOTE: A maximum of two power supplies are supported.

System Fans

Two Hot-Plug redundant fans ship standard. Two maximum supported.

Required Cabling

For required cabling information, refer to the Web site at: <http://h18000.www1.hp.com/products/servers/ProLiantDL760/>.

Standard Features

OS Support

Microsoft Windows NT® 4.0 Server
Microsoft Windows 2000
Novell NetWare
SCO UnixWare®
LINUX (Red Hat, SuSE, TurboLinux Server, Caldera eServer)
Sun Solaris Intel Platform Edition
Microsoft Windows 2000 Datacenter Edition

NOTE: The Microsoft Windows 2000 Datacenter Edition is available only as part of a Data Center solution.

NOTE: For a more complete and up-to-date listing of supported OS's and versions, please visit our OS Support Matrix at: <ftp://ftp.compaq.com/pub/products/servers/os-support-matrix-310.pdf>.

NOTE: For an up-to-date listing of the latest drivers available for the ProLiant DL760 G2, please see: <http://h18023.www1.hp.com/support/files/server/us/index.html>.

Data Center

Data Center services and support offerings are available with Data Center solutions.

Rack Airflow Requirements

- Rack 9000 and 10000 series Cabinets
The increasing power of new high-performance processor technology requires increased cooling efficiency for rack-mounted servers. The 9000 and 10000 Series Racks provide enhanced airflow for maximum cooling, allowing these racks to be fully loaded with servers using the latest processors.
- Rack 7000 series Cabinets
When installing a server with processors running at speeds of 550 MHz or greater in Compaq Rack 7000 series racks with glass doors (165753-001 (42U), and 163747-001 (22U)), the new processor technology requires the installation of High Airflow Rack Door Inserts (327281-B21 (42U), 327281-B22 (42U 6 pack), or 157847-B21 (22U)) to promote enhanced airflow for maximum cooling.

CAUTION: If a third-party rack is used, observe the following additional requirements to ensure adequate airflow and to prevent damage to the equipment:

- **Front and rear doors:** If your 42U server rack includes closing front and rear doors, you must allow 830 square inches (5,350 sq cm) of hole evenly distributed from top to bottom to permit adequate airflow (equivalent to the required 64 percent open area for ventilation).
- **Side:** The clearance between the installed rack component and the side panels of the rack must be a minimum of 2.75 inches (7 cm).

CAUTION: Always use blanking panels to fill all remaining empty front panel U-spaces in the rack. This arrangement ensures proper airflow. Using a rack without blanking panels results in improper cooling that can lead to thermal damage.

NOTE: For additional information, refer to the Setup and Installation Guide or the Documentation CD provided with the server, or to the server documentation located in the Support section at the following URL:

<http://h18000.www1.hp.com/products/servers/ProLiantdl760/index.html>.

Standard Features

Service and Support

HP Services provides a three-year, limited warranty, including Pre-Failure Warranty (coverage of hard drives, memory and processors) fully supported by a worldwide network of resellers and service providers. HP technical assistance is available 7x24, toll free in the United States and Canada. Telephone support services may be covered under warranty or available for an additional fee.

NOTE: Limited Warranty includes 3 year Parts, 3 year Labor, 3-year on-site support.

A full range of HP Care Pack packaged hardware and software services:

- Installation and start up
- Extended coverage hours and enhanced response times
- System management and performance services
- Availability and recovery services

NOTE: For more information, customer/resellers can contact <http://www.hp.com/hps/>.

Please see the following URL regarding Warranty Information For Your HP Products:

<http://h18004.www1.hp.com/products/servers/platforms/warranty/index.html>.

For additional information regarding Worldwide Limited Warranty and Technical Support, please see the following URL:

<ftp://ftp.compaq.com/pub/supportinformation/ejourney/176738.pdf>.

NOTE: Certain restrictions and exclusions may apply. Consult the Customer Support Center for details.

Models

Model DL760R01 X900-2MB, 2048MB (4P) <i>212692-xx1</i>	Processor(s)	(4) Intel Pentium III Xeon 900 MHz standard (up to 8 supported)
	Cache Memory	2-MB Level 2 writeback per processor
	Memory	2048 MB (Standard) to 16 GB (Maximum) 100MHz ECC SDRAM DIMM
	Network Controller	Integrated Compaq NC3134 Fast Ethernet NIC 64 PCI Dual Port 10/100 in a slot
	Storage Controller	Integrated Smart Array Controller
	Hard Drives	None
	Internal Storage	587.2 GB maximum (with optional hard drives)
	Cache Accelerator	Two Standard
	Optical Drive	24x IDE CD-ROM Drive
	I/O Slots	PCI and PCI-X
	Form Factor	7U Rack Form Factor

Model DL760R01 X700-2MB, 2048MB (4P) <i>177657-xx1</i>	Processor(s)	(4) Intel Pentium III Xeon 700 MHz standard (up to 8 supported)
	Cache Memory	2-MB Level 2 writeback per processor
	Memory	2048 MB (Standard) to 16 GB (Maximum) 100MHz ECC SDRAM DIMM
	Network Controller	Integrated Compaq NC3134 Fast Ethernet NIC 64 PCI Dual Port 10/100 in a slot
	Storage Controller	Integrated Smart Array Controller
	Hard Drives	None
	Internal Storage	587.2 GB maximum (with optional hard drives)
	Cache Accelerator	Two Standard
	Optical Drive	24x IDE CD-ROM Drive
	I/O Slots	PCI and PCI-X
	Form Factor	7U Rack Form Factor

Model DL760R01 X700-1MB, 1024MB (2P) <i>177656-xx1</i>	Processor(s)	(2) Intel Pentium III Xeon 700 MHz standard (up to 8 supported)
	Cache Memory	2-MB Level 2 writeback per processor
	Memory	1024 MB (Standard) to 16 GB (Maximum) 100MHz ECC SDRAM DIMM
	Network Controller	Integrated Compaq NC3134 Fast Ethernet NIC 64 PCI Dual Port 10/100 in a slot
	Storage Controller	Integrated Smart Array Controller
	Hard Drives	None
	Internal Storage	587.2 GB maximum (with optional hard drives)
	Cache Accelerator	Two Standard
	Optical Drive	24x IDE CD-ROM Drive
	I/O Slots	PCI and PCI-X
	Form Factor	7U Rack Form Factor

Country Code Key

XX=00
 XX=03
 XX=04
 XX=05
 XX=29
 XX=37
 XX=42
 XX=AA

Rack Code Key

US
 UK
 German (Not available for Rack Models – please use EURO part number)
 France (Not available for Rack Models – please use EURO part number)
 Japan
 APD
 EURO
 PRC

Options

ProLiant 8500 Supported Upgrade Option Kits	<p>NOTE: These options are only supported in the ProLiant 8500 server.</p> <p>ProLiant 8500 Pentium III Xeon 550 MHz to 900 MHz Processor Upgrade Kit 232291-B21</p> <p>NOTE: This upgrade kit (PN 232291-B21) enables customers to upgrade from 550 MHz Pentium III Xeon processor technology to 900 MHz Pentium III Xeon processor technology.</p> <p>NOTE: The upgrade kit includes the following:</p> <ul style="list-style-type: none"> – Includes 4 x Pentium III Xeon 900MHz/2MB processors – New processor/memory drawer – Rom BootBlock chip, and chip removal tool – Service event (Installation) – Detailed instructions guide <p>NOTE: This Upgrade Kit (PN 232291-B21) is only supported by the ProLiant 8500 server.</p>
	<p>ProLiant 8500 Pentium III Xeon 550 MHz to 700 MHz Processor Upgrade Kit 200799-B21</p> <p>NOTE: This upgrade kit (PN 200799-B21) enables customers to upgrade from 550 MHz Pentium III Xeon processor technology to 700 MHz Pentium III Xeon processor technology.</p> <p>NOTE: This Upgrade Kit (PN 200799-B21) is only supported by the ProLiant 8500 server.</p>
ProLiant Essentials Value Pack Software	<p>Rapid Deployment Pack, 1 User, V1.x 267196-B21</p> <p>NOTE: This license allows 1 server to be managed and deployed via the Deployment Server.</p>
	<p>Rapid Deployment Pack, 1 User, V1.x (Japan) 267196-291</p> <p>NOTE: This license allows 1 server to be managed and deployed via the Deployment Server.</p>
	<p>Rapid Deployment Pack, 10 Users, V1.x 269817-B21</p> <p>NOTE: This license allows 10 servers to be managed and deployed via the Deployment Server.</p>
	<p>Rapid Deployment Pack, 10 Users, V1.x (Japan) 269817-291</p> <p>NOTE: This license allows 10 servers to be managed and deployed via the Deployment Server.</p>
	<p>ProLiant Essentials Workload Management Pack (Featuring Compaq Resource Partitioning Manager version 2.0) 303284-B21</p>
	<p>ProLiant Essentials Performance Management Pack v2.0, Single License 306696-B21</p> <p>NOTE: Flexible and volume quantity license kits are available for ProLiant Essentials Value Packs. Refer to http://www.hp.com/servers/proliantessentials or the various ProLiant Essentials Value Pack product QuickSpecs for more information.</p> <p>NOTE: For more information regarding ProLiant Essentials Software, please see the following URL: http://www.hp.com/servers/proliantessentials.</p>
	<p>ProLiant Essentials Performance Management Pack v2.0, Single License 306696-B21</p> <p>NOTE: Flexible and volume quantity license kits are available for ProLiant Essentials Value Packs. Refer to http://www.hp.com/servers/proliantessentials or the various ProLiant Essentials Value Pack product QuickSpecs for more information.</p> <p>NOTE: For more information regarding ProLiant Essentials Software, please see the following URL: http://www.hp.com/servers/proliantessentials.</p>
Software	<p>HP digital asset protection 302316-001</p>
NetServer to ProLiant integrations services	<p>HP NetServer to ProLiant integration and assessment service 304164-002</p> <p>NOTE: HP identifies current levels of NetServer support, services, and management. This service helps maximize customer's ability to add ProLiant platforms into their current environment.</p>
	<p>HP TopTools to Insight Manager 7 installation and startup service 304163-002</p> <p>NOTE: Provides on-site review, installation and configuration services for Insight Manager 7. HP will also re-create, as closely as possible, the views and reports from the customer's current TopTools configuration. This service assures a smooth transition to the ProLiant Essentials software.</p>
	<p>HP NetServer to ProLiant Essentials Rapid Deployment Pack installation and startup service 304162-002</p> <p>NOTE: Install and configure Rapid Deployment Pack in a test environment, then deploy a server image to a maximum of 250 systems in the production environment. This service helps to assure successful system deployment.</p>

Options

Operating System	Data Center Operating System	
	ProLiant DL760 Datacenter OS Install Option Kit	260162-B21
NOTE: The Windows 2000 Datacenter Edition operating system is only available as part of a Data Center solution.		
Processor	NOTE: Pentium III Xeon 550MHz, 700 MHz, or 900 MHz processors cannot be mixed in the same server. They all have to be of the same speed.	
	Pentium III Xeon X900-2MB Processor Option Kit	177666-B21
	NOTE: This processor option kit (PN 177666-B21) supports the ProLiant DL760, ProLiant ML750, ProLiant 8500, and the ProLiant 8000 servers.	
	Pentium III Xeon X700-2MB Processor Option Kit	175810-B21
NOTE: This processor option kit (PN 175810-B21) supports the ProLiant DL760, ProLiant ML750, ProLiant 8500, and the ProLiant 8000 servers.		
Pentium III Xeon X700-1MB Processor Option Kit	167444-B21	
NOTE: This processor option kit (PN 167444-B21) supports the ProLiant DL760, ProLiant ML750, ProLiant 8500, and the ProLiant 8000 servers.		
Memory (SDRAM DIMMs)	2048-MB 100MHz ECC SDRAM DIMM Memory Expansion Kit (2 x 1024 MB)	328809-B21
	1024-MB 100MHz ECC SDRAM DIMM Memory Expansion Kit (2 x 512 MB)	328808-B21
	512-MB 100MHz ECC SDRAM DIMM Memory Expansion Kit (2 x 256 MB)	328807-B21
	256-MB 100MHz ECC SDRAM DIMM Memory Expansion Kit (2 x 128 MB)	328806-B21
Hard Drives	Ultra 320 SCSI – Universal Hot Plug	
	36.4GB 10,000 rpm, U320 Universal Hard Drive, 1"	286713-B22
	72.8GB 10,000 rpm, U320 Universal Hard Drive, 1"	286714-B22
	146.8GB 10,000 rpm, U320 Universal Hard Drive, 1"	286716-B22
	18.2GB 15,000 rpm, U320 Universal Hard Drive, 1"	286775-B22
	36.4GB 15,000 rpm, U320 Universal Hard Drive, 1"	286776-B22
	72.8GB 15,000 rpm, U320 Universal Hard Drive, 1"	286778-B22
	NOTE: All U320 Universal Hard Drives are backward compatible to U2 or U3 speeds. U320 drives require an optional U320 Smart Array Controller or U320 SCSI HBA to support U320 transfer rates.	
	NOTE: Please see the Hard Drive QuickSpecs for Technical Specifications such as capacity, height, width, interface, transfer rate, seek time, physical configuration, and operating temperature: U320 Hard Drive QS:	
	http://h18000.www1.hp.com/products/quickspecs/11531_na/11531_na.HTML (North America)	
http://h18000.www1.hp.com/products/quickspecs/11531_div/11531_div.HTML (Worldwide)		

Options

Storage Controllers	Smart Array 532 Controller	225338-B21	
	Smart Array 532 Controller (Japan)	225338-291	
	Smart Array 5302/128 Controller	283552-B21	
	Smart Array 5302/128 Controller (Japan)	283552-291	
	Smart Array 5304/256 Controller	283551-B21	
	Smart Array 5304/256 Controller (Japan)	283551-291	
	Smart Array 5312 Controller	238633-B21	
	Smart Array 5312 Controller (Japan)	238633-291	
	Ultra3 Channel Expansion Module for Smart Array 5300 Controller	153507-B21	
	128-MB Cache Module for Smart Array 5302 Controller	153506-B21	
	RAID ADG Upgrade for Smart Array 5302	288601-B21	
	256-MB Battery-Backed Cache Module	254786-B21	
	NOTE: This 256-MB Battery-Backed Cache Module supports the Smart Array 5300 series controllers, MSA 1000 and the Smart Array Cluster Storage.		
	64-bit/66-MHz Single Channel Wide Ultra3 SCSI Adapter	154457-B21	
	64-bit/66-MHz Dual Channel Wide Ultra3 SCSI Adapter	129803-B21	
	64-Bit/133MHz Dual Channel Ultra320 SCSI Adapter	268351-B21	
	64-Bit/66-MHz Dual Channel Wide Ultra3 SCSI Adapter, Alternate OS	284688-B21	
	NOTE: Please see the following Controller or SCSI Adapter QuickSpecs for Technical Specifications such as PCI Bus, PCI Peak Data Transfer Rate, SCSI Protocols supported, SCSI Peak Data Transfer Rate, Channels, SCSI Ports, Drives supported, Cache, RAID support, and additional information: http://h18000.www1.hp.com/products/quickspecs/10851_div/10851_div.HTML (Smart Array 532) http://h18000.www1.hp.com/products/quickspecs/10640_div/10640_div.HTML (Smart Array 5300 Series) http://h18000.www1.hp.com/products/quickspecs/11328_div/11328_div.HTML (Smart Array 5312) http://h18000.www1.hp.com/products/quickspecs/10429_div/10429_div.HTML (SCSI Adapter) http://h18000.www1.hp.com/products/quickspecs/11555_div/11555_div.HTML (U320 Adapter)		
	Communications	Compaq NC3123 Fast Ethernet NIC PCI 10/100 WOL	174830-B21
Compaq NC3134 Fast Ethernet NIC 64 PCI Dual Port 10/100		138603-B21	
Compaq NC3135 Fast Ethernet Upgrade Module		138604-B21	
Compaq NC6132 Gigabit Module 1000 SX Upgrade Module for NC3134 and NC3131		338456-B23	
Compaq NC6133 Gigabit Module 1000LX Upgrade Module for NC3134 and NC3131		338456-B24	
Compaq NC3133 Fast Ethernet Module 100FX Upgrade Module for NC3134 and NC3131		338456-B25	
Compaq NC6136 Gigabit Server Adapter, 64-bit/66-MHz, PCI, 1000 SX		203539-B21	
Compaq NC7131 Gigabit Server Adapter, 64-bit/66-MHz, PCI, 10/100/1000-T		158575-B21	
Compaq NC7132 10/100/1000-T Upgrade Module for NC3134 and NC3131		153543-B21	
Compaq NC7770 PCI-X Gigabit Server Adapter		244948-B21	
Redundant Options	1150/500-Watt Hot Plug N 1 redundant power supply (North America)	401231-001	
	1150/500-Watt Hot Plug N 1 redundant power supply (Int'l)	401231-B31	
	1150/500-Watt Hot Plug N 1 redundant power supply (Japan)	401231-291	
	NOTE: A maximum of two power supplies are supported by the ProLiant DL760.		

Options

Management Options	Remote Insight Lights-Out Edition II (NA, LA)	227251-001
	Remote Insight Lights-Out Edition II (EMEA)	227251-021
	Remote Insight Lights-Out Edition II (ROW)	227251-371
	Compaq Remote Insight Lights-Out Edition (NA, LA)	157866-001
	Compaq Remote Insight Lights-Out Edition (EMEA)	157866-021
	Compaq Remote Insight Lights-Out Edition (ROW)	157866-371

Security	HP/Atalla AXL600L SSL Accelerator Card for ProLiant Servers	524545-B21
	Compaq AXL300 Accelerator PCI Card (HW SSL Encryption) for ProLiant Servers	227933-B21

Monitors

Essential Series

Compaq S9500 CRT Monitor (19-inch, Carbon/Silver)	261615-XXX
Compaq S7500 CRT Monitor (17-inch, Carbon/Silver)	261606-XXX
Compaq S5500 CRT Monitor (15-inch Carbon/Silver)	261602-XXX
Compaq TFT1501 Flat Panel Monitor (15-inch, Carbon/Silver, North America)	301042-003
Compaq TFT1501 Flat Panel Monitor (15-inch, Carbon/Silver, Outside North America)	P4825D-XXX
Compaq TFT1701 Flat Panel Monitor (17-inch, Carbon/Silver, North America)	292847-003
Compaq TFT1701 Flat Panel Monitor (17-inch, Carbon/Silver, Outside North America)	P9019A-XXX

Advantage Series

Compaq V7550 CRT Color Monitor (17-inch, Carbon/Silver)	261611-XXX
Compaq TFT1720 Flat Panel Monitor (17-inch, Carbon/Silver, North America)	295926-003
Compaq TFT1720 Flat Panel Monitor (17-inch, Carbon/Silver, outside North America)	D5064D-XXX
Compaq FT1720M Flat Panel Monitor (17-inch, Carbon/Silver, includes speaker, USB port, headphone, North America)	301958-003
Compaq TFT1720M Flat Panel Monitor (17-inch, Carbon/Silver, includes speaker, USB port, headphone, outside North America)	D5064P-XXX
Compaq TFT1520 Flat Panel Monitor (15-inch, Carbon/Silver, North America)	295925-003
Compaq TFT1520 Flat Panel Monitor (15-inch, Carbon/Silver, outside North America)	D5063D-XXX
Compaq TFT1520M Flat Panel Monitor (15-inch, Carbon/Silver includes speaker, USB port, headphone, North America)	301957-003
Compaq TFT1520M Flat Panel Monitor (15-inch, Carbon/Silver includes speaker, USB port, headphone, outside North America)	D5063P-XXX

Options

Performance Series

HP P930 CRT Monitor (19-inch, Flat-screen, Carbon/Silver, North America)	302268-003
HP P930 CRT Monitor (19-inch, Flat-screen, Carbon/Silver, Outside North America)	P909W-XXX
HP P1130 CRT Monitor (21-inch, Flat-screen, Carbon/Silver, North America)	302270-003
HP P1130 CRT Monitor (21-inch, Flat-screen, Carbon/Silver, Outside North America)	P4819-XXX
HP L1825 Flat Panel Monitor (18-inch, Carbon/Silver, North America)	303486-003
HP L1825 Flat Panel Monitor (18-inch, Carbon/Silver, Outside North America)	P9021W-XXX
HP L2025 Flat Panel Monitor (20-inch, Carbon/Silver, North America)	303102-003
HP L2025 Flat Panel Monitor (20-inch, Carbon/Silver, Outside North America)	P4831W-XXX
Compaq TFT1825 Flat Panel Monitor (18-inch, Carbon/Silver, North America)	296751-003
Compaq TFT1825 Flat Panel Monitor (18-inch, Carbon/Silver, Outside North America)	P9021A-XXX
Compaq TFT2025 Flat Panel Monitor (20-inch, Carbon/Silver, North America)	285550-003
Compaq TFT2025 Flat Panel Monitor (20-inch, Carbon/Silver, Outside North America)	P4831D-XXX

Rackmount Flat Panel Monitors

TFT5110R Flat Panel Monitor (Carbon) (1U rack mountable)	281683-B21
TFT5010R Flat Panel Monitor (NA) (2U rack mountable)	217248-001
TFT5010R Flat Panel Monitor (Int'l) (2U rack mountable)	217248-B31
TFT5010R Flat Panel Monitor (Japan) (2U rack mountable)	217248-291

NOTE: Monitors larger than 17" may be too heavy for use in rack systems.

Tape Drives

External DAT Tape Drives

HP StorageWorks 20/40-GB DAT DDS-4 Tape Drive, External (Carbon) (NA)	157770-002
HP StorageWorks 20/40-GB DAT DDS-4 Tape Drive, External (Int'l) (Carbon)	157770-B32
HP StorageWorks 20/40-GB DAT DDS-4 Tape Drive, External (Japan)(Carbon)	157770-292

NOTE: Please see the 20/40-GB DAT Tape Drive QuickSpecs for additional options such as host bus adapters, controllers, cassettes, and for an up-to-date listing of the latest O/S Support details, please see the following:

http://h18006.www1.hp.com/products/quickspecs/10426_div/10426_div.html (Worldwide)

http://h18006.www1.hp.com/products/quickspecs/10426_na/10426_na.html (North America)

Options

External AIT Tape Drives

HP StorageWorks External AIT 35-GB, LVD Tape Drive (Carbon)	216885-001
HP StorageWorks External AIT 35-GB, LVD Tape Drive (Carbon) (Int'l)	216885-B31
HP StorageWorks External AIT 35-GB, LVD Tape Drive (Carbon) (Japan)	216885-291

NOTE: Please see the [AIT 35 GB, LVD Tape Drive QuickSpecs](#) for additional options such as adapters, controllers, and cassettes, and for an up-to-date listing of the latest O/S Support details, please see the following:

http://h18006.www1.hp.com/products/quickspecs/10712_div/10712_div.html (Worldwide)
http://h18006.www1.hp.com/products/quickspecs/10712_na/10712_na.html (North America)

HP StorageWorks AIT 50-GB Tape Drive, External (Carbon) (NA)	157767-002
HP StorageWorks AIT 50-GB Tape Drive, External (Int'l) (Carbon)	157767-B32
HP StorageWorks AIT 50-GB Tape Drive, External (Japan) (Carbon)	157767-292
HP StorageWorks Internal AIT 50-GB, Hot Plug (Carbon)	215487-B21
HP StorageWorks AIT 50GB Tape Drive, 3U Rackmount	274333-B21

NOTE: Please see the [AIT 50-GB Tape Drive QuickSpecs](#) for additional options such as adapters, controllers, and cassettes, and for an up-to-date listing of the latest O/S Support details, please see the following:

http://h18006.www1.hp.com/products/quickspecs/10425_div/10425_div.html (Worldwide)
http://h18006.www1.hp.com/products/quickspecs/10425_na/10425_na.html (North America)

HP StorageWorks External AIT 100-GB Tape Drive (Carbon)	249160-001
HP StorageWorks External AIT 100-GB Tape Drive (Carbon) (Int'l)	249160-B31

NOTE: Please see the [AIT 100-GB Tape Drive QuickSpecs](#) for additional options such as adapters, controllers, and cassettes, and for an up-to-date listing of the latest O/S Support details, please see the following:

http://h18006.www1.hp.com/products/quickspecs/11062_div/11062_div.html (Worldwide)
http://h18006.www1.hp.com/products/quickspecs/11062_na/11062_na.html (North America)

External DLT/SDLT Tape Drives

HP StorageWorks 40/80-GB DLT Tape Drive, External (Carbon) (NA)	146197-B22
HP StorageWorks 40/80-GB DLT Tape Drive, External (Carbon) (Japan)	146197-293
HP StorageWorks Rackmount DLT 40/80, 3U (Single Drive)	274332-B21
HP StorageWorks Rackmount DLT 40/80, Dual Drive 3U (Two Drives)	274335-B21
HP StorageWorks Rackmount DLT 40/80, Tape Array III, 5U (Four Drives)	274337-B21

NOTE: Please see the [40/80-GB DLT Drive QuickSpecs](#) for additional options such as host bus adapters, controllers, cassettes, and for an up-to-date listing of the latest O/S Support details, please see the following:

http://h18006.www1.hp.com/products/quickspecs/10658_div/10658_div.html (Worldwide)
http://h18006.www1.hp.com/products/quickspecs/10658_na/10658_na.html (North America)

Options

External DLT VS Tape Drives

HP StorageWorks DLT VS 40/80 Tape Drive, External (Carbon) (NA)	280129-B22
HP StorageWorks DLT VS 40/80 Tape Drive, External (Carbon) (Int'l)	280129-B31
HP StorageWorks DLT VS 40/80 Tape Drive, External (Carbon) (Japan)	280129-291

NOTE: Please see the DLT VS 40/80 Tape Drive QuickSpecs for additional options such as host bus adapters, controllers, cassettes, and for an up-to-date listing of the latest O/S Support details, please see the following:

http://h18006.www1.hp.com/products/quickspecs/10403_div/10403_div.html (Worldwide)
http://h18006.www1.hp.com/products/quickspecs/10403_na/10403_na.html (North America)

HP StorageWorks Rackmount SDLT 110/220, 3U (Single Drive)	274331-B21
HP StorageWorks Rackmount SDLT 110/220, Dual-Drive, 3U (Two Drives)	274334-B21
HP StorageWorks Rackmount SDLT 110/220, Tape Array III, 5U (Four Drives)	274336-B21
HP StorageWorks SDLT 160/320, External NA (carbon)	257319-001
HP StorageWorks SDLT 160/320, External WW (carbon)	257319-B31
HP StorageWorks SDLT 160/320, External Japan (carbon)	257319-291

NOTE: Please see the SDLT 160/320-GB Tape Drive QuickSpecs for additional options such as adapters, controllers, and media, and for an up-to-date listing of the latest O/S Support details, please see the following:

http://h18006.www1.hp.com/products/quickspecs/10406_div/10406_div.html (Worldwide)
http://h18006.www1.hp.com/products/quickspecs/10406_na/10406_na.html (North America)

External SuperLoader

DLT1 1280 SuperLoader	268664-B21
-----------------------	------------

NOTE: Please see the StorageWorks DLT1 1280 SuperLoader QuickSpecs for additional options and for an up-to-date listing of the latest O/S Support details, please see the following:

http://h18006.www1.hp.com/products/quickspecs/11406_div/11406_div.html (Worldwide)
http://h18006.www1.hp.com/products/quickspecs/11406_na/11406_na.html (North America)

External LTO Ultrium Tape Drives

HP StorageWorks Ultrium 230 Tape Drive, External (Carbon) NA	Q1516A
HP StorageWorks Ultrium 230 Tape Drive, External (Carbon) Int'l	Q1517A

NOTE: Please see the HP StorageWorks Ultrium Tape Drive QuickSpecs for additional options such as controllers, and other related items, and for an up-to-date listing of the latest O/S Support details, please see the following:

http://h18006.www1.hp.com/products/quickspecs/11415_div/11415_div.html (Worldwide)
http://h18006.www1.hp.com/products/quickspecs/11415_na/11415_na.html (North America)

HP StorageWorks Ultrium 460 Tape Drive for ProLiant, External (Carbon) NA	Q1519A
HP StorageWorks Ultrium 460 Tape Drive for ProLiant, External (Carbon) Int'l	Q1520A

NOTE: Please see the HP StorageWorks Ultrium 460 Tape Drives for ProLiant QuickSpecs for additional options such as data and cleaning cartridges, and for an up-to-date listing of the latest O/S Support details, please see the following:

http://h18006.www1.hp.com/products/quickspecs/11530_div/11530_div.html (Worldwide)
http://h18006.www1.hp.com/products/quickspecs/11530_na/11530_na.html (North America)

External DAT Autoloader

20/40-GB DAT 8 Cassette Autoloader External (Opal)	166505-001
20/40-GB DAT 8 Cassette Autoloader External (Opal) (Int'l)	166505-B31
20/40-GB DAT 8 Cassette Autoloader External (Opal) (Japan)	166505-291

NOTE: Please see the 20/40-GB DAT DDS-4 8 Cassette Autoloader QuickSpecs for additional options such as adapters, controllers, and cassettes, and for an up-to-date listing of the latest O/S Support details, please see the following:

http://h18006.www1.hp.com/products/quickspecs/10518_div/10518_div.HTML (Worldwide)
http://h18006.www1.hp.com/products/quickspecs/10518_na/10518_na.HTML (North America)

Options

AIT Autoloader

HP StorageWorks AIT 35 GB Autoloader, Rackmount (Carbon) (NA) 280349-001

HP StorageWorks AIT 35 GB Autoloader, Rackmount (Carbon) (Int'l) 280349-B31

NOTE: Please see the AIT 35-GB Autoloader QuickSpecs for additional options such as adapters, controllers, and cassettes, and for an up-to-date listing of the latest O/S Support details, please see the following:

http://h18006.www1.hp.com/products/quickspecs/11404_div/11404_div.HTML (Worldwide)

http://h18006.www1.hp.com/products/quickspecs/11404_na/11404_na.HTML (North America)

HP StorageWorks 1/8 Autoloader

HP StorageWorks 1/8 Autoloader, Tabletop, Ultrium 230 C9572CB

HP StorageWorks 1/8 Autoloader, Tabletop, DLT VS80 C9264CB

HP StorageWorks 1/8 Autoloader, Rackmount kit C9266R

NOTE: Please see the HP StorageWorks 1/8 Autoloader QuickSpecs for additional accessories and for an up-to-date listing of the latest O/S Support details, please see the following:

<http://h18000.www1.hp.com/products/quickspecs/Division/10809.html> (Worldwide)

http://h18000.www1.hp.com/products/quickspecs/North_America/10809.html (North America)

SSL1016 Tape Autoloader

SSL1016 DLT1 tape autoloader (includes two 8-cartridge magazines and a barcode reader) 330815-B21

NOTE: Please see the SSL1016 DLT1 tape autoloader Quick Specs for additional information:

http://h18000.www1.hp.com/products/quickspecs/11626_div/11626_div.HTML (Worldwide)

http://h18000.www1.hp.com/products/quickspecs/11626_na/11626_na.HTML (North America)

SSL1016 SDLT160/320 tape autoloader (includes 2 8-cartridge magazines and a barcode reader) 330816-B21

NOTE: Please see the SSL1016 SDLT160/320 tape autoloader Quick Specs for additional information:

http://h18000.www1.hp.com/products/quickspecs/11609_div/11609_div.HTML (Worldwide)

http://h18000.www1.hp.com/products/quickspecs/11609_na/11609_na.HTML (North America)

Rackmount Tape Drive Kits

3U Rackmount Kit 274338-B21

NOTE: The 3U Rackmount Kit (PN 274338-B21) can support up to (2) full-height or (4) half-height tape drives and compatible with multiple internal Single-Ended and LVD SCSI Tape Drives including the 12/24-GB DAT, 20/40-GB DAT, 20/40-GB DAT DDS-4 8 Cassette Autoloader, AIT 35-GB LVD, AIT 50 GB, AIT 100 GB, 20/40-GB DLT, 40/80-GB DLT, SDLT 110/220-GB, SDLT 160/320-GB, Ultrium 230, and Ultrium 460 Tape Drives.

5U Rackmount Kit 274339-B21

NOTE: The 5U Rackmount Kit (PN 274339-B21) can support up to (4) full-height tape drives and is compatible with all HP internal DLT/SDLT/Ultrium tape drives including the 20/40-GB DLT, 35/70-GB DLT, 40/80-GB DLT, SDLT 110/220-GB, SDLT 160/320, Ultrium 230, and Ultrium 460 tape drives.

NOTE: Please see the Rackmount Tape Drive Kits QuickSpecs for additional information regarding these kits, please see the following:

http://h18006.www1.hp.com/products/quickspecs/10854_div/10854_div.html (Worldwide)

http://h18006.www1.hp.com/products/quickspecs/10854_na/10854_na.html (North America)

Rackmount Tape Drive Cable Kits

LVD Cable Kit, VHDCI/HD68 168048-B21

NOTE: For use with the 3U RM Storage Enclosure and DLT Tape Array III only.

LVD Cable Kit, HD68/HD68 242381-B21

NOTE: For use with the 3U RM Storage Enclosure and DLT Tape Array III only.

Options

Tape Automation

Entry Level Tape Libraries

SSL2020 Automated AIT Library

SSL2020 AIT Mini-Library 1 drive, 20 slot Rackmount	175196-B21
SSL2020 AIT Mini-Library 2 drive, 20 slot Rackmount	175196-B22
SSL2020 AIT Library Pass Thru with Transport	175312-B21
SSL2020 AIT Library Pass Thru Extender	175312-B22
AIT 50-GB Drive Add-On LVD Drive for SSL2020 AIT Library	175197-B21

Required Adapters/Controllers for SSL2020 AIT Library

64-Bit/66-MHz Dual Channel Wide Ultra3 SCSI Adapter	129803-B21
SAN Access Module for Smart Array 5302 Controller	216687-B21
SAN Access Module for Smart Array 5302 Controller (Japan)	216687-291

NOTE: Please see the SSL2020 Automated AIT Tape Library Solution QuickSpecs for additional information including Upgrade Kits, Accessories, and SCSI Cable Kits and additional options needed for a complete solution at:

http://h18000.www1.hp.com/products/quickspecs/10580_na/10580_na.HTML (North America)

http://h18000.www1.hp.com/products/quickspecs/10580_div/10580_div.HTML (Worldwide)

MSL5000 Libraries

Mainstream Tape Library

MSL5026DLX DLT Library

MSL5026DLX, 1 40/80-GB DLT, LVD Rackmount	231891-B21
MSL5026DLX, 2 40/80-GB DLT, LVD Rackmount	231891-B22

MSL5026SL SDLT Library

NOTE: Please see the StorageWorks MSL5026DLX or MSL5026SL Library QuickSpecs for additional information including Upgrade Kits, Accessories, and SCSI Cable Kits and additional options needed for a complete solution at:

http://h18000.www1.hp.com/products/quickspecs/10860_na/10860_na.HTML (North America)

http://h18000.www1.hp.com/products/quickspecs/10860_div/10860_div.HTML (Worldwide)

MSL5026SL, Rackmount, 1 SDLT Drive (Graphite)	302512-B21
MSL5026SL, Rackmount, 2 SDLT Drive (Graphite)	302512-B22

NOTE: Please see the StorageWorks MSL5026SL Library QuickSpecs for additional information including Upgrade Kits, Accessories, and SCSI Cable Kits and additional options needed for a complete solution at:

http://h18000.www1.hp.com/products/quickspecs/11440_na/11440_na.HTML (North America)

http://h18000.www1.hp.com/products/quickspecs/11440_div/11440_div.HTML (Worldwide)

MSL5026S2 SDLT Library

MSL5026S2, Rackmount, 0 Drive Library	293472-B21
MSL5026S2, Rackmount, 1 Drive, SDLT2 Library	293472-B22
MSL5026S2, Rackmount, 2 Drives, SDLT2 Library	293472-B23
MSL5026S2FC, Rackmount, 1 Drive, SDLT2 Library	293472-B24
MSL5026S2FC, Rackmount, 2 Drives, SDLT2 Library	293472-B25

NOTE: Please see the StorageWorks MSL5026S2 Library QuickSpecs for additional information including Upgrade Kits, Accessories, and SCSI Cable Kits and additional options needed for a complete solution at:

http://h18000.www1.hp.com/products/quickspecs/11453_na/11453_na.HTML (North America)

http://h18000.www1.hp.com/products/quickspecs/11453_div/11453_div.HTML (Worldwide)

Options

Departmental Tape Library

MSL5052SL SDLT Library

MSL5052, Rackmount, 0 Drive, SDLT ALL	255102-B21
MSL50502SL, SDLT, 110/220, 2 Drives, LVD, Rackmount	249491-B21

NOTE: Please see the StorageWorks MSL5052SL Library QuickSpecs for additional information including Upgrade Kits, Accessories, and SCSI Cable Kits and additional options needed for a complete solution at:

http://h18000.www1.hp.com/products/quickspecs/11061_na/11061_na.HTML (North America)
http://h18000.www1.hp.com/products/quickspecs/11061_div/11061_div.HTML (Worldwide)

MSL5052S2 SDLT Library

MSL5052S2, Tabletop, 2 Drives, SDLT2 Library	293476-B21
MSL5052S2, Rackmount, 2 Drives, SDLT2 Library	293474-B21
MSL5052S2FC, Rackmount, 2 Drives, SDLT2 Library	293474-B24

NOTE: Please see the StorageWorks MSL5052S2 Library QuickSpecs for additional information including Upgrade Kits, Accessories, and SCSI Cable Kits and additional options needed for a complete solution at:

http://h18000.www1.hp.com/products/quickspecs/11442_na/11442_na.HTML (North America)
http://h18000.www1.hp.com/products/quickspecs/11442_div/11442_div.HTML (Worldwide)

MSL5030 LTO Library

MSL5030L1, Rackmount, 0 Drive Library	301897-B21
MSL5030L1, Rackmount, 1 Drive, LTO1 Library	301897-B22
MSL5030L1, Rackmount, 2 Drives, LTO1 Library	301897-B23
MSL5030L1FC, Rackmount, 1 Drive, LTO1 Library	301897-B24
MSL5030L1FC, Rackmount, 2 Drives, LTO1 Library	301897-B25
MSL5030L1, Tabletop, 1 Drive, LTO1 Library	301898-B21
MSL5030L1, Tabletop, 2 Drives, LTO1 Library	301898-B22

NOTE: Please see the StorageWorks MSL5030 LTO Library QuickSpecs for additional information including Upgrade Kits, Accessories, and SCSI Cable Kits and additional options needed for a complete solution at:

http://h18000.www1.hp.com/products/quickspecs/11439_na/11439_na.HTML (North America)
http://h18000.www1.hp.com/products/quickspecs/11439_div/11439_div.HTML (Worldwide)

MSL5060 LTO Library

MSL5060L1, Rackmount, 0 Drive Library	301899-B21
MSL5060L1, Rackmount, 2 Drives, LTO1 Library	301899-B22
MSL5060L1FC, Rackmount, 2 Drives, LTO1 Library	301899-B23
MSL5060L1, Tabletop, 2 Drives, LTO1 Library	301900-B21

NOTE: Please see the StorageWorks MSL5060 LTO Library QuickSpecs for additional information including Upgrade Kits, Accessories, and SCSI Cable Kits and additional options needed for a complete solution at:

http://h18000.www1.hp.com/products/quickspecs/11438_na/11438_na.HTML (North America)
http://h18000.www1.hp.com/products/quickspecs/11438_div/11438_div.HTML (Worldwide)

MSL5000 series Libraries Options

MSL5K Field Upgrade SDLT 110/220 Drive, LVD	231823-B22
MSL5000 SDLT2 Upgrade Drive	293475-B21
MSL5000 LTO1 Upgrade Drive	301901-B21
MSL5000 Dual Magazine LTO	301902-B21
MSL5000 Dual Magazine DLT	232136-B21

Required Adapters for MSL5000 series Libraries

64-Bit/66MHz Dual Channel Wide Ultra3 SCSI Adapter	129803-B21
--	------------

Options

Enterprise 9000 System Library

ESL9322S2 SDLT Library

ESL9322S2, 222 slot, 2 Drives, SDLT2	293409-B22
ESL9322S2, 222 slot, 8 Drives, SDLT2	293409-B28
ESL9322S2, 322 slot, 2 Drives, SDLT2	293410-B22
ESL9322S2, 322 slot, 8 Drives, SDLT2	293410-B28

NOTE: Please see the StorageWorks ESL9322S2 Enterprise Library QuickSpecs for additional information including Tape Drives, Cartridges, Controllers, and SCSI Cables and additional options needed for a complete solution at:

http://h18000.www1.hp.com/products/quickspecs/11437_na/11437_na.HTML (North America)

http://h18000.www1.hp.com/products/quickspecs/11437_div/11437_div.HTML (Worldwide)

ESL9322L1 SDLT Library

ESL9322L1, 222 slot, 2 Drives, LTO1	301927-B22
ESL9322L1, 222 slot, 8 Drives, LTO1	301927-B28
ESL9322L1, 322 slot, 2 Drives, LTO1	301928-B22
ESL9322L1, 322 slot, 8 Drives, LTO1	301928-B28

NOTE: Please see the StorageWorks ESL9322L1 Enterprise Library QuickSpecs for additional information including Tape Drives, Cartridges, Controllers, and SCSI Cables and additional options needed for a complete solution at:

http://h18000.www1.hp.com/products/quickspecs/11445_na/11445_na.HTML (North America)

http://h18000.www1.hp.com/products/quickspecs/11445_div/11445_div.HTML (Worldwide)

ESL9595SL SDLT Library

ESL9595SL Enterprise Library, 400 slot, 16 Drive	274672-B22
ESL9595SL Enterprise Library, 500 slot, 2 Drive	281627-B22

NOTE: Please see the StorageWorks ESL9595SL Enterprise Library QuickSpecs for additional information including Tape Drives, Cartridges, Controllers, and SCSI Cables and additional options needed for a complete solution at:

http://h18000.www1.hp.com/products/quickspecs/11332_na/11332_na.HTML (North America)

http://h18000.www1.hp.com/products/quickspecs/11332_div/11332_div.HTML (Worldwide)

ESL9595S2 SDLT Library

ESL9595S2, 400 slot, 2 Drives, SDLT2	293411-B22
ESL9595S2, 400 slot, 16 Drives, SDLT2	293411-B28
ESL9595S2, 500 slot, 2 Drives, SDLT2	293412-B22
ESL9595S2, 500 slot, 16 Drives, SDLT2	293412-B28
ESL9595S2, 595 slot, 2 Drives, SDLT2	293413-B22
ESL9595S2, 595 slot, 16 Drives, SDLT2	293413-B28

NOTE: Please see the StorageWorks ESL9595S2 Enterprise Library QuickSpecs for additional information including Tape Drives, Cartridges, Controllers, and SCSI Cables and additional options needed for a complete solution at:

http://h18000.www1.hp.com/products/quickspecs/11436_na/11436_na.HTML (North America)

http://h18000.www1.hp.com/products/quickspecs/11436_div/11436_div.HTML (Worldwide)

Options

ESL9595L1 SDLT Library

ESL9595L1, 400 slot, 2 Drives, LTO1	301929-B22
ESL9595L1, 400 slot, 16 Drives, LTO1	301929-B28
ESL9595L1, 500 slot, 2 Drives, LTO1	301931-B22
ESL9595L1, 500 slot, 16 Drives, LTO1	301931-B28
ESL9595L1, 595 slot, 2 Drives, LTO1	301932-B22
ESL9595L1, 595 slot, 16 Drives, LTO1	301932-B28

NOTE: Please see the StorageWorks ESL9595L1 Enterprise Library QuickSpecs for additional information including Tape Drives, Cartridges, Controllers, and SCSI Cables and additional options needed for a complete solution at:

http://h18000.www1.hp.com/products/quickspecs/11435_na/11435_na.HTML (North America)

http://h18000.www1.hp.com/products/quickspecs/11435_div/11435_div.HTML (Worldwide)

ESL9000 series Libraries Options

ESL9000 Field Upgrade SDLT 110/220, LVD Drive (ESL9198SL, ESL9326SL, ESL9595SL)	234617-B21
ESL9595 500 Slot Upgrade	274674-B21
ESL9595 595 Slot Upgrade	274674-B22
ESL9000 LTO1 Upgrade Drive	301930-B21
ESL9000 LVD SDLT-160 Drive Upgrade	293414-B21
ESL9000 HVD SDLT-160 Drive Upgrade	293415-B21
ESL9000 Universal Load Port	302254-B21
ESL9322 222 Slot to ESL9322 322 Slot Upgrade	293588-B21
ESL9000 6 Slot DLT Magazine	229909-B21

Required Adapters for ESL9000 Libraries

64-Bit/66-MHz Dual Channel Wide Ultra3 SCSI Adapter	129803-B21
---	------------

NOTE: 64-Bit/66-MHz Dual Channel Wide Ultra3 SCSI Adapter is required to support the LVD based libraries (ESL9595SL).

Smart Array ClusterStorage

Smart Array Cluster Storage	201724-B21
Smart Array Cluster Storage Redundant Controller Option Kit	218252-B21
128-MB Cache Module for Smart Array 5302 Controller	153506-B21
256-MB Battery-Backed Cache Module	254786-B21
4-Port Shared Storage Module with Smart Array Multipath Software for Smart Array Cluster Storage	292944-B21

NOTE: Please see the Compaq Smart Array Cluster Storage QuickSpecs for additional information including configuration steps and additional options needed for a complete solution at:

http://h18000.www1.hp.com/products/quickspecs/11050_na/11050_na.html (North America)

http://h18000.www1.hp.com/products/quickspecs/11050_div/11050_div.html (Worldwide)

Options

Cluster Options	ProLiant Cluster HA/F500 Enhanced Kit for Enterprise Virtual Array v.2	254623-B22
	ProLiant Cluster HA/F500 Basic Kit for Enterprise Virtual Array (v.2)	313047-B21
	NOTE: For additional information regarding the Compaq ProLiant Cluster HA/F500 for Enterprise Virtual Array please see the following QuickSpecs at: http://h18000.www1.hp.com/products/quickspecs/11055_na/11055_na.html (North America) http://h18000.www1.hp.com/products/quickspecs/11055_div/11055_div.html (Worldwide)	
	ProLiant Cluster HA/F500 Basic Kit for MA8000/EMA 16000	103250-B25
	ProLiant Cluster HA/F500 Enhanced Kit for MA8000/EMA 16000	379937-B25
	ProLiant Cluster HA/F500 Enhanced DT Kit for MA8000/EMA 16000	164227-B23
	NOTE: For additional information regarding the Compaq ProLiant Cluster for HA/F500 please see the following QuickSpecs at: http://h18000.www1.hp.com/products/quickspecs/10232_na/10232_na.html (North America) http://h18000.www1.hp.com/products/quickspecs/10232_div/10232_div.html (Worldwide)	
	ProLiant Cluster HA/F100 for MSA1000 v2	252408-B22
	ProLiant Cluster HA/F100 for MSA1000 v2 (Japan)	252408-292
	ProLiant Cluster HA/F200 for MSA1000 v2	252409-B22
ProLiant Cluster HA/F200 for MSA1000 v2 (Japan)	252409-292	
NOTE: For additional information regarding the Compaq ProLiant Cluster HA/F100 and HA/F200 for MSA1000, please see the following QuickSpecs at: http://h18000.www1.hp.com/products/quickspecs/11035_na/11035_na.html North America http://h18000.www1.hp.com/products/quickspecs/11035_div/11035_div.html (Worldwide)		
<hr/>		
MSA1000	MSA1000	201723-B22
	MSA1000 Controller	218231-B22
	MSA Fibre Channel I/O Module	218960-B21
	MSA1000 Fabric Switch	218232-B21
	MSA1000 Fibre Channel Adapter (FCA) 2101	245299-B21
	HP StorageWorks msa hub 2/3	286763-B21
	NOTE: Please see the StorageWorks Modular SAN Array 1000 QuickSpecs for additional options and configuration information at: http://h18000.www1.hp.com/products/quickspecs/11033_na/11033_na.HTML (North America) http://h18000.www1.hp.com/products/quickspecs/11033_div/11033_div.HTML (Worldwide)	
<hr/>		
StorageWorks Modular Array 8000/Enterprise Modular Array 12000	EMA12000 D14 60Hz	175990-B21
	EMA12000 D14 50Hz	175990-B22
	EMA12000 S14 60Hz	175991-B21
	EMA12000 S14 50Hz	175991-B22
	MA8000 60Hz	175992-B21
	MA8000 50Hz	175992-B22
	EMA12000 Blue 60Hz	175993-B21
	EMA12000 Blue 50Hz	175993-B22
NOTE: Options include controller, solution kits, ACS. MA8000/EMA12000 includes controller shelf, drive shelves, and cabinet. Packaging upgrade to RA8000/ESA12000.		
NOTE: Please see the StorageWorks MA8000/EMA12000 QuickSpecs for FC Hubs, FC switches, platform software, host adapters, disks and options for complete solutions at: http://h18000.www1.hp.com/products/quickspecs/10545_na/10545_na.HTML (North America) http://h18000.www1.hp.com/products/quickspecs/10545_div/10545_div.HTML (Worldwide)		

Options

StorageWorks Enterprise Modular Array 16000 FC	EMA16000 D14 50Hz (opal)	238792-B22
	EMA16000 D14 60Hz (opal)	238792-B21
	EMA16000 S14 50Hz (opal)	238791-B22
	EMA16000 S14 60Hz (opal)	238791-B21

NOTE: Models include: Dual HSG80 controllers in each Model 2200 enclosure (2 pairs per single bus configuration, 4 pairs per dual bus configuration) with 1GB cache per controller pair, and 12 14-bay drive enclosures with redundant power supplies. Configure-to-Order (CTO) builds are available. Options include ACS, platform kits and software by HP.

NOTE: Please see the StorageWorks EMA16000 QuickSpecs for FC switches, platform software, host adapters, disks and options for complete solutions at:

http://h18000.www1.hp.com/products/quickspecs/10812_na/10812_na.HTML (North America)

http://h18000.www1.hp.com/products/quickspecs/10812_div/10812_div.HTML (Worldwide)

StorageWorks Options	StorageWorks Fibre Channel SAN Switches 8-EL	176219-B21
	StorageWorks SAN Switch 2/8-EL	258707-B21
	StorageWorks SAN Switch 2/8-EL Upgrade	288162-B21
	StorageWorks SAN Switch 2/16-EL	283056-B21
	StorageWorks SAN Switch 2/16-EL Upgrade	288250-B21

UPS and PDU Power Cord Matrix **Please see the UPS and PDU cable matrix that lists cable descriptions, requirements, and specifications for UPS and PDU units:**
<ftp://ftp.compaq.com/pub/products/servers/ProLiantstorage/power-protection/powercordmatrix.pdf>.

Uninterruptible Power Systems – Rack Mountable	Compaq UPS R1500 XR (1440VA, 1340 Watt), Low Voltage (NA)	204404-001
	Compaq UPS R1500 XR (1500VA, 1340 Watt), High Voltage (Int'l)	204404-B31
	Compaq UPS R1500 XR (1500VA, 1340 Watt), Low Voltage (Japan)	204404-291
	Compaq UPS R3000 XR (2880VA, 2700 Watt), Low Voltage (NA)	192186-001
	Compaq UPS R3000 XR (3000VA, 2700 Watt), High Voltage (NA)	192186-002
	Compaq UPS R3000 XR (2400VA, 2250 Watt), Low Voltage (Japan)	192186-291
	Compaq UPS R3000 XR (3000VA, 2700 Watt), High Voltage (Japan)	192186-292
	Compaq UPS R3000 XR (3000VA, 2700 Watt), High Voltage (Int'l - detachable cord)	192186-B31
	Compaq UPS R3000 XR (3000VA, 2700 Watt), High Voltage (16A IEC309 Plug)	192186-B32
	Compaq UPS R3000 XR (3000VA, 2700 Watt), High Voltage (16A CEE 7/7 SCHUKO Plug)	192186-B33
	Compaq UPS R3000 XR (3000VA, 2700 Watt), High Voltage (16A BS-546 Plug)	192186-AR1
	Rack-Mountable UPS R6000 (6000VA, 6000 Watt) High Voltage (NA)	347207-001
	NOTE: The UPS R6000 has a hardwired input.	
	Rack-Mountable UPS R6000 (6000VA, 6000 Watt) High Voltage (Int'l)	347207-B31
	NOTE: The UPS R6000 has a hardwired input.	
	Rack-Mountable UPS R6000 (6000VA, 6000 Watt) High Voltage (Japan)	347207-291
	NOTE: The UPS R6000 has a hardwired input.	
	UPS R12000 XR N+x (200-240V) (WW-hardwired)	207552-B22
	NOTE: The UPS R12000 XR has a hardwired input and output; requires a 100A circuit.	

Options

UPS Options	SNMP Serial Port Card	192189-B21
	NOTE: Supports tower and rack UPS XR models ranging from 1000 – 3000VA.	
	Six Port Card	192185-B21
	NOTE: Supports tower and rack UPS XR models ranging from 1000 – 3000VA.	
	High to Low Voltage Transformer (250VA)	388643-B21
	NOTE: Supports R6000 UPS series only. 2.5 amps @ 125 Volts max output across two NEMA 5-15.	
	Extended Runtime Module, T1000 XR	218967-B21
	NOTE: 2U each, two ERM maximum.	
	Extended Runtime Module, T1500 XR/T2200 XR	218969-B21
	NOTE: 3U each, one ERM maximum.	
	Extended Runtime Module, R1500 XR	218971-B21
	NOTE: 2U each, two ERM maximum.	
	Extended Runtime Module, R3000 XR	192188-B21
	NOTE: 3U each, one ERM maximum.	
	Extended Runtime Module, R6000	347224-B21
	NOTE: 3U each, two ERM maximum.	
	Extended Runtime Module, R12000 XR, 4U	217800-B21
	NOTE: 4U each, two ERM maximum.	
	SNMP-EN Adapter	347225-B21
	NOTE: Supports R6000 UPS series only.	
	Multi-Server UPS Card	123508-B21
	NOTE: Supports R6000 UPS series only.	
	Scalable UPS Card	123509-B21
	NOTE: Supports R6000 UPS series only.	
<hr/>		
Rack-Mountable PDU's –	Compaq Power Distribution Unit-16A (200-240V) (WW)	207590-B21
1U/0U (Up to 12 Outlets)	NOTE: The 16A PDU also connects to the high volt models of the UPS R3000 XR (need cable PN 340653-001 (NA)) and the UPS R6000 models. Cable PN 340653-001 required if connecting to UPS R3000 XR (192186-002 NA-High Volt model only).	
NOTE: 0U mounting brackets shipped with the unit (separate option kit for 1U mounting).	Compaq Power Distribution Unit-32A (200-240V) (Int'l)	207590-B31
	Compaq Power Distribution Unit-40A (200-240V) (WW)	207590-B23
	NOTE: Please see the following Power Distribution Unit (Zero-U/1U PDU) QuickSpecs for additional options including cables:	
	http://h18000.www1.hp.com/products/quickspecs/10838_na/10838_na.HTML (North America)	
	http://h18000.www1.hp.com/products/quickspecs/10838_div/10838_div.HTML (Worldwide)	

Options

Modular PDUs 1U/0U (Up to 32 outlets) NOTE: 1U/0U mounting brackets shipped with the unit (optimized for 10000 and 9000 series racks).	HP Modular Power Distribution Units (mPDU), Low Volt Model, 24A (100-127 VAC) (NA, Japan)	252663-D71
	NOTE: This mPDU (252663-D71) may also be used to connect the low volt model of the UPS R3000 XR.	
	HP Modular Power Distribution Units (mPDU), High Volt Model, 24A (200-240 VAC) (NA, Japan)	252663-D72
	HP Modular Power Distribution Units (mPDU), High Volt Model, 32A (200-240 VAC) (Int'l)	252663-B31
	HP Modular Power Distribution Units (mPDU), High Volt Model, 40A (200-240 VAC) (WW) NOTE: This mPDU (252663-B21), 40A model has a hardwired input.	252663-B21
HP Modular Power Distribution Units (mPDU), High Volt Model, 16A (200-240 VAC) (WW) NOTE: This PDU has a detachable input power cord and allows for adaptability to country specific power requirements. This model may also be used with the high volt UPSs R3000 XR and R6000 For North America, need to order cable PN 340653-001. NOTE: Please see the following Modular Power Distribution Unit (Zero-U/1U Modular PDUs) QuickSpecs for additional options including shorter jumper cables and country specific power cords: http://h18000.www1.hp.com/products/quickspecs/11041_na/11041_na.HTML (North America) http://h18000.www1.hp.com/products/quickspecs/11041_div/11041_div.HTML (Worldwide)	252663-B24	
<hr/>		
PDU Options	Third Party Modular PDU Mounting Kit	310777-B21
	NOTE: This kit allows you to mount the Modular PDUs in racks other than the 9000/10000 Series racks (any racks using the standard 19" rail). For more details please refer the Modular PDU QuickSpecs.	
	4.5' IEC C 13 to IEC C14 PDU Jumper Cable (1 per pack)	142257-006
4.5' IEC C 13 to IEC C14 PDU Jumper Cable (15 per pack)	142257-007	
<hr/>		
Rack Builder	Please see the Rack Builder for configuration assistance at http://www8.compaq.com/RackBuilderOnline/pages/pg_main.html .	
<hr/>		

Options

HP Rack 10000 Series (Graphite Metallic)	HP Rack 10842 (42U, 800mm wide) – Pallet	257415-B21
	HP Rack 10842 (42U, 800mm wide) – Shock Pallet	257415-B22
	HP Rack 10647 (47U) – Pallet	245160-B21
	HP Rack 10647 (47U) – Crated	245160-B23
	HP Rack 10642 (42U) – Pallet	245161-B21
	HP Rack 10642 (42U) – Shock Pallet	245161-B22
	HP Rack 10642 (42U) – Crated	245161-B23
	HP Rack 10636 (36U) – Pallet	245162-B21
	HP Rack 10636 (36U) – Shock Pallet	245162-B22
	HP Rack 10636 (36U) – Crated	245162-B23
	HP Rack 10622 (22U) – Pallet	245163-B21
	HP Rack 10622 (22U) – Shock Pallet	245163-B22
	HP Rack 10622 (22U) – Crated	245163-B23
	HP Rack 10614 (14U) – Shock Pallet	292303-B22

NOTE: -B21 (pallet) used to ship empty racks shipped on a truck

-B22 (shock pallet) used to ship racks with equipment installed (by custom systems, VARs and Channels)

-B23 (crated) used for air shipments of empty racks

NOTE: It is mandatory to use a shock pallet in order to ship racks with equipment installed. Not all Compaq equipment is qualified to be shipped in the Rack 10000 series

NOTE: Please see the Rack 10000 QuickSpecs for Technical Specifications such as height, width, depth, weight, and color:

http://h18000.www1.hp.com/products/quickspecs/10995_div/10995_div.HTML (Worldwide)

http://h18000.www1.hp.com/products/quickspecs/10995_na/10995_na.HTML (North America)

NOTE: For additional information regarding Rack Cabinets, please see the following URL:

<http://h18000.www1.hp.com/products/servers/proliantstorage/racks/index.html>.

Rack 9000 Series (opal)	Rack 9122 (22U) – Pallet	120665-B21
	Rack 9122 (22U) – Shock Pallet	120665-B22
	Rack 9122 (22U) – Crated	120665-B23

NOTE: -B21 (pallet) used to ship empty racks shipped on a truck

-B22 (shock pallet) used to ship racks with equipment installed (by custom systems, VARs and Channels)

-B23 (crated) used for air shipments of empty racks

NOTE: Please see the Rack 9000 QuickSpecs for Technical Specifications such as height, width, depth, weight, and color:

http://h18000.www1.hp.com/products/quickspecs/10366_div/10366_div.HTML (Worldwide)

http://h18000.www1.hp.com/products/quickspecs/10366_na/10366_na.HTML (North America)

NOTE: For additional information regarding Rack Cabinets, please see the following URL:

<http://h18000.www1.hp.com/products/servers/proliantstorage/racks/index.html>.

Options

Rack Options for HP Rack 10000 Series	Rack Blanking Panels – Graphite (Multi)	253214-B26
	NOTE: Contains one each of 1U, 2U, 4U and 8U.	
	Rack Blanking Panels – Graphite (1U)	253214-B21
	NOTE: The Rack Blanking Panels (PN 253214-B21) contains 10 each of (1U).	
	Rack Blanking Panels – Graphite (2U)	253214-B22
	NOTE: The Rack Blanking Panels (PN 253214-B21) contains 10 each of (2U).	
	Rack Blanking Panels – Graphite (3U)	253214-B23
	NOTE: The Rack Blanking Panels (PN 253214-B21) contains 10 each of (3U).	
	Rack Blanking Panels – Graphite (4U)	253214-B24
	NOTE: The Rack Blanking Panels (PN 253214-B21) contains 10 each of (4U).	
	Rack Blanking Panels – Graphite (5U)	253214-B25
	NOTE: The Rack Blanking Panels (PN 253214-B21) contains 10 each of (5U).	
	800mm Wide Stabilizer Kit (Graphite)	255488-B21
	NOTE: Supported by the Rack 10842 cabinet only.	
	600mm Stabilizer Kit – Graphite	246107-B21
	Baying Kit for Rack 10000 series (Carbon)	248929-B21
	42U Side Panel – Graphite Metallic	246099-B21
	110V Fan Kit (Graphite)	257413-B21
	NOTE: Roof Mount Includes power cord with IEC320-C13 to Nema 5-15P.	
	220V Fan Kit (Graphite)	257414-B21
	NOTE: Roof Mount Includes power cord with IEC320-C13 to Nema 6-15P.	
	36U Side Panel – Graphite Metallic	246102-B21
	47U Side Panel – Graphite Metallic	255486-B21
	9000/10000 Series Offset Baying Kit (42U)	248931-B21
	NOTE: This kit can be used to connect 9000 and 10000 series racks of the same U height together. Kit contents include hardware for connecting racks and a panel to cover the 100mm gap at the rear of the two racks.	
	NOTE: For additional information regarding Rack Options, please see the following URL: http://h18000.www1.hp.com/products/servers/proliantstorage/rack-options/index.html	

Options

Rack Options for Compaq Rack 9000 Series	Baying/Coupling Kit	120669-B21
	42U Side Panel	120670-B21
	NOTE: The 42U Side Panel (PN 120670-B21) supports the Compaq Rack 9142 and Compaq Rack 9842.	
	36U Side Panel	120671-B21
	NOTE: The 36U Side Panel (PN 120671-B21) supports the Compaq Rack 9136.	
	110V Fan Kit (Graphite)	257413-B21
	NOTE: Roof Mount Includes power cord with IEC320-C13 to Nema 5-15P.	
	220V Fan Kit (Graphite)	257414-B21
	NOTE: Roof Mount Includes power cord with IEC320-C13 to Nema 6-15P.	
	600mm Stabilizer Option Kit	120673-B21
	800mm Stabilizer Option Kit (Opal)	234493-B21
	NOTE: The 800mm Stabilizer Kit (PN 234493-B21) supports the Rack 9842 only.	
	9142 Extension Kit	120679-B21
	NOTE: The 9142 Extension Kit (PN 120679-B21) supports the Compaq Rack 9142 only.	
	9142Split Rear Door (Opal)	254045-B21
	NOTE: The 9142 Split Rear Door (PN 254045-B21) supports the 600 mm wide, 42U 9000 series rack.	
	9136 Extension Kit	218216-B21
	9142 Short Rear Door	218217-B21
	NOTE: The 9142 Short Rear Door (PN 218217-B21) supports the Compaq Rack 9142 only.	
	9136 Short Rear Door	218218-B21
	Rack Blanking Panel (Multi)	169940-B21
	NOTE: Kit includes four panels in 1U, 2U, 4U, and 8U.	
	Rack Blanking Panels (1U)	189453-B21
	NOTE: The Rack Blanking Panels (PN 189453-B21) contains 10 each of (1U).	
	Rack Blanking Panels (2U)	189453-B22
	NOTE: The Rack Blanking Panels (PN 189453-B21) contains 10 each of (2U).	
	Rack Blanking Panels (3U)	189453-B23
	NOTE: The Rack Blanking Panels (PN 189453-B21) contains 10 each of (3U).	
	Rack Blanking Panels (4U)	189453-B24
	NOTE: The Rack Blanking Panels (PN 189453-B21) contains 10 each of (4U).	
	Rack Blanking Panels (5U)	189453-B25
	NOTE: The Rack Blanking Panels (PN 189453-B21) contains 10 each of (5U).	
	9000/10000 Series Offset Baying Kit (42U)	248931-B21
	NOTE: This kit can be used to connect 9000 and 10000 series racks of the same U height together. Kit contents include hardware for connecting racks and a panel to cover the 100mm gap at the rear of the two racks.	
	NOTE: For additional information regarding Rack Options, please see the following URL: http://h18000.www1.hp.com/products/servers/proliantstorage/rack-options/index.html .	

Options

Rack Options for Compaq Rack 7000 Series	High Air Flow Rack Door Insert for the 7122 Rack	157847-B21
	High Air Flow Rack Door Insert for the 7142 Rack (single)	327281-B21
	High Air Flow Rack Door Insert for the 7142 Rack (6-pack)	327281-B22
	Compaq Networking Cable Management Kit	292407-B21
	Compaq Rack Extension Kit for 7142	154392-B21

NOTE: For additional information regarding Rack Options, please see the following URL:
<http://h18000.www1.hp.com/products/servers/proliantstorage/rack-options/index.html>.

Rack Options for Rack 7000, 9000 and 10000 Series	Monitor Utility Shelf- opal	303606-B21
	Ballast Option Kit	120672-B21
	Rack Rail Adapter Kit (25" depth)	120675-B21
	100 kg Sliding Shelf	234672-B21
	Monitor/Utility Shelf - Graphite	253449-B21
	Depth Adjustable Fixed Rail	332558-B21
	Cable Management D-Rings Kit	168233-B21
	Console Management Controller (CMC) Option Kit	203039-B21
	Console Management Controller (CMC) Sensors Option Kit	203039-B22
	Console Management Controller (CMC) Locking Option Kit	203039-B23
	Console Management Controller (CMC) Smoke Sensors Option Kit	203039-B24
	Server Console Switch 1 x 2 port (100-230 VAC)	120206-001
	Server Console Switch 1 x 2 port (100-230 VAC) (Int'l)	120206-B31
	Server Console Switch 1 x 2 port (100-230 VAC) (Japan)	120206-291
	Server Console Switch 1 x 4 port (100-230 VAC)	400336-001
	Server Console Switch 1 x 4 port (100-230 VAC) (Int'l)	400336-B31
	Server Console Switch 1 x 4 port (100-230 VAC) (Japan)	400336-291
	Server Console Switch 1 x 8 port (100-230 VAC)	400337-001
	Server Console Switch 1 x 8 port (100-230 VAC) (Int'l)	400337-B31
	Server Console Switch 1 x 8 port (100-230 VAC) (Japan)	400337-291
	Server Console Switch 2 x 8 port (100-230 VAC)	400338-001
	Server Console Switch 2 x 8 port (100-230 VAC) (Int'l)	400338-B31
	Server Console Switch 2 x 8 port (100-230 VAC) (Japan)	400338-291
	Server Console Switch 2 x 8 port (48VDC)	400542-B21
	IP Console Switch Box, 1x1x16	262585-B21
	IP Console Switch Box, 3x1x16	262586-B21
	IP Console Interface Adapter, 8 pack	262587-B21
	IP Console Interface Adapter, 1 pack	262588-B21
	IP Console Expansion Module	262589-B21
	KVM 9 PIN Adapter (4 Pack)	149361-B21
	CPU to Server Console Cable, 12'	110936-B21
	CPU to Server Console Cable, 20'	110936-B22
	CPU to Server Console Cable, 40'	110936-B23
	CPU to Server Console Cable, 3'	110936-B24
CPU to Server Console Cable, 7'	110936-B25	
IP CAT5 Cable 3', 4 pack	263474-B21	
IP CAT5 Cable 6', 8 pack	263474-B22	
IP CAT5 Cable 12', 8 pack	263474-B23	
IP CAT5 Cable 20', 4 pack	263474-B24	
IP CAT5 Cable 40', 1 pack	263474-B25	

Options

Switch Box Connector Kit (115V)	144007-001
Switch Box Connector Kit (230V)	144007-002
Switch Box Connector Kit (high voltage)	144007-B33
1U Rack Keyboard & Drawer (Carbon)	257054-xx1

NOTE: The 1U Rack Keyboard & Drawer (PN 257054-xx1).

Country Code Key (for 1U Rack Keyboard & Drawer (PN 257054-xx1))

XX = 001	US	XX = 091	Norway
XX = 031	UK	XX = 101	Sweden/Finland
XX = 041	Germany	XX = 111	Switzerland
XX = 051	France	XX = 131	Portugal
XX = 061	Italy	XX = 181	Belgium
XX = 071	Spain	XX = 291	Japan
XX = 081	Denmark	XX = B31	International

TFT5600 Rack Keyboard Monitor	221546-xx1
-------------------------------	------------

Country Code Key (for TFT5600RKM 221546-xx1)

XX = 001	US	XX = 091	Norway
XX = 031	UK	XX = 101	Sweden/Finland
XX = 041	Germany	XX = 111	Switzerland
XX = 051	France	XX = 131	Portugal
XX = 061	Italy	XX = 181	Belgium
XX = 071	Spain	XX = 291	Japan
XX = 081	Denmark	XX = B31	International

PCI KVM Management Card Kit	232983-B21
Local Access Cable Kit	232984-B21
PCI KVM Remote Card Kit	232985-B21
Input Device Adjustable Rails	287139-B21

NOTE: Input Device Adjustable Rails (287139-B21) are for use with the TFT5110R, TFT5600RKM and integrated keyboard/drawer which is used in mounting into third party racks.

Input Device Telco Rail	287138-B21
-------------------------	------------

NOTE: Input Device Adjustable Rails (287138-B21) are for use ONLY with the TFT5110R, TFT5600RKM and integrated keyboard/drawer which is used in mounting into third party racks.

Keyboard/Monitor/Mouse extension cables	169989-001
---	------------

NOTE: For additional information regarding Rack Options, please see the following URL:
<http://h18000.www1.hp.com/products/servers/proliantstorage/rack-options/index.html>.

Service and Support Offerings (HP Care Pack Services)

NOTE: These Service and Support Offerings are for Windows NT, Windows 2000 Server/Advanced Server or Novell NetWare Operating System.

Hardware Services 4-Hour On-site Service

4-Hour On-site Service, 9-Hour x 5-Day Coverage, 3 Years (6-3 Part Number for U.S.)	401785-002
4-Hour On-site Service, 9-Hour x 5-Day Coverage, 3 Years (2-5-2Part Number for Canada)	401785-122
4-Hour On-site Service, 9-Hour x 5-Day Coverage, 3 Years (6-3 Part Number for EMEA)	376907-022
4-Hour On-site Service, 24-Hour x 7-Day Coverage, 3 Years (6-3 Part Number for U.S.)	401784-002
4-Hour On-site Service, 24-Hour x 7-Day Coverage, 3 Years (2-5-5 Part Number for Canada)	401784-122
4-Hour On-site Service, 24-Hour x 7-Day Coverage, 3 Years (6-3 Part Number for EMEA)	376908-022

Options

Installation & Start-up Services

Hardware Installation (6-3 Part Number for U.S.)	401794-002
Hardware Installation (6-3 Part Number for Canada)	401794-122
Hardware Installation (6-3 Part Number for EMEA)	Quote
Pre-installation planning; unpack equipment, install most current Compaq HW options internal to server at same time of server installation; assemble & test; basic user information provided; Install & configure basic functionality of Win NT Operating System plus up to 1 day start-up activity, configure print & network access services, and orientation (6-3 Part Number for U.S.)	240016-002
Pre-installation planning; unpack equipment, install most current Compaq HW options internal to server at same time of server installation; assemble & test; basic user information provided; Install & configure basic functionality of Novell NetWare Operating System plus up to 1 day start-up activity, configure print & network access services, and orientation (6-3 Part Number for U.S.)	240011-002
Server Installation and Set-Up (Installation of the server, installation of the appropriate service tools, check to ensure device SW and firmware is loaded and installation of the operating system (6-3 Part Number for EMEA)	204565-022

Business Solutions Priority Service Plan – Priority Level

9 x 5 HW, 4-hr response, Next Available HW engineer; 9 x 5 Bronze Software Support 2-hr response for Windows NT, Windows 2000, Professional, Server or Advanced Server Operating System, Next Available Specialist (6-3 Part Number for U.S.)	239937-002
9 x 5 HW, 4-hr response, Next Available HW engineer; 9 x 5 Bronze Software Support 2-hr response for Novell NetWare Operating System, Next Available Specialist (6-3 Part Number for U.S.)	239977-002
5 x 9 4-hour H/W, 5 x 9 2-hour O/S (NT & NetWare), Three Years (6-3 Part Number for Canada)	155326-122
5 x 9 4-hour H/W, 5 x 9 2-hour O/S (NT & NetWare), Three Years (6-3 Part Number for EMEA)	179838-022

Business Solutions Priority Service Plan – Priority 24 Level

24 x 7 HW, 4-hr response, Named HW engineer; 24 x 7 Bronze Software Support, 2-hr response for Windows NT, Windows 2000, Professional, Server or Advanced Server Operating System, Next Available Specialist (6-3 Part Number for U.S.)	239939-002
24 x 7 HW, 4-hr response, Named HW engineer; 24 x 7 Bronze Software Support, 2-hr response for Novell NetWare Operating System, Next Available Specialist (6-3 Part Number for U.S.)	239979-002
7 x 24 4-hour H/W, 7 x 24 2-hour O/S (NT & NetWare), Three years (6-3 Part Number for EMEA)	179843-022

Business Solutions Priority Service Plan – Priority Plus Level

7 x 24 4-hour H/W, 7 x 24 1-hour O/S (NT & NetWare), SPS account review, Three Years (6-3 Part Number for Canada)	155338-122
---	------------

Business Solutions Priority Service Plan – Priority Silver

24 x 7 HW, 4-hr response, Named HW engineer; 24 x 7 Silver Software Support, 1-hr response, Monday – Friday, 8AM – 5PM local time, 2-hr response after hours for Windows NT, Windows 2000, Professional, Server or Advanced Server Operating System, Technical Account Manager, Technical Newsletter, SW activity review, proactive patch notification, 1 System Healthcheck per year (6-3 Part Number for U.S.)	239941-002
24 x 7 HW, 4-hr response, Named HW engineer; 24 x 7 Silver Subsequent System Support for Windows NT, Windows 2000, Professional, Server or Advanced Server Operating System (6-3 Part Number for U.S.)	239943-002
24 x 7 HW, 4-hr response, Named HW engineer; 24 x 7 Silver Software Support, 1-hr response, Monday – Friday, 8AM – 5PM local time, 2-hr response after hours for Novell NetWare Operating System, Technical Account Manager, Technical Newsletter, SW activity review (6-3 Part Number for U.S.)	239981-002
24 x 7 HW, 4-hr response, Named HW engineer; 24 x 7 Silver Subsequent System Support for Novell NetWare Operating System (6-3 Part Number for U.S.)	239983-002

Options

Business Solutions Priority Service Plan – Priority Gold

24 x 7 HW, 4-hr response, Named HW engineer; 24 x 7 Gold Software Support, 30 minute response (critical), 1-hr response (non-critical), for Windows NT, Windows 2000, Professional, Server or Advanced Server Operating System, Technical Account Manager, Technical Newsletter, SW activity review, proactive revision management, Upgrade impact planning, 2 System Healthcheck per year (6-3 Part Number for U.S.)	239945-002
24 x 7 HW, 4-hr response, Named HW engineer; 24 x 7 Gold Subsequent System Support for Windows NT, Windows 2000, Professional, Server or Advanced Server Operating System (6-3 Part Number for U.S.)	239947-002
24 x 7 HW, 4-hr response, Named HW engineer; 24 x 7 Gold Software Support, 30 minute response (critical), 1-hr response (non-critical), for Novell NetWare Operating System, Technical Account Manager, Technical Newsletter, SW activity review, Upgrade impact planning (6-3 Part Number for U.S.)	239985-002
24 x 7 HW, 4-hr response, Named HW engineer; 24 x 7 Gold Subsequent System Support for Novell NetWare Operating System (6-3 Part Number for U.S.)	239987-002

Business Solutions Priority Service Plan – Priority Gold Executive

24 x 7 HW, 2-hr response, Named HW engineer; 24 x 7 Gold Software Support, 30 minute response (critical), 1-hr response (non-critical), for Windows NT, Windows 2000, Professional, Server or Advanced Server Operating System, Technical Account Manager, Technical Newsletter, SW activity review, proactive revision management, Upgrade impact planning, 2 System Healthcheck per year (6-3 Part Number for U.S.)	239949-002
24 x 7 HW, 2-hr response, Named HW engineer; 24 x 7 Gold Subsequent System Support for Windows NT, Windows 2000, Professional, Server or Advanced Server Operating System (6-3 Part Number for U.S.)	239951-002
24 x 7 HW, 2-hr response, Named HW engineer; 24 x 7 Gold Software Support, 30 minute response (critical), 1-hr response (non-critical), for Novell NetWare Operating System, Technical Account Manager, Technical Newsletter, SW activity review, Upgrade impact planning (6-3 Part Number for U.S.)	239989-002
24 x 7 HW, 2-hr response, Named HW engineer; 24 x 7 Gold Subsequent System Support for Novell NetWare Operating System (6-3 Part Number for U.S.)	239991-002

Business Solutions Priority Service Plan – Priority Premier Level

7 x 24 2-hour H/W, 7 x 24 1-hour O/S (NT & NetWare), SPS Account Review, Proactive Management Review, named S/w rep, Three Years (6-3 Part Number for Canada)	155338-122
---	------------

Business Solutions Priority Service Plan – Priority Executive Premier Level

7 x 24 2-hour H/W, 7 x 24 30-minutes O/S (NT & NetWare), SPS Account Review, Proactive Management Review, named S/w rep, Three Years (6-3 Part Number for Canada)	155342-122
---	------------

Options

Data Center Services and Support Offerings (HP Care Pack Services)

NOTE: These Data Center Services and Support Offerings are for the Enterprise Support Plan. Installation and Startup and Update Subscription are highly recommended for the Data Center Solutions Program.

Data Center

Data Center Enterprise Support Plan for Single Server 7 x 24 2-hour H/W, 7 x 24 1-hour O/S (NT) One Year (6-3 Part Number for U.S.) 224371-002

Data Center Enterprise Support Plan for 2 Node Cluster 7 x 24 2-hour H/W, 7 x 24 1-hour O/S (NT) One Year (6-3 Part Number for U.S.) 224372-002

Data Center Enterprise Support Plan for 4 Node Cluster 7 x 24 2-hour H/W, 7 x 24 1-hour O/S (NT) One Year (6-3 Part Number for U.S.) 224373-002

Data Center Enterprise Support Plan for Single Server 7 x 24 4-hour H/W, 7 x 24 1-hour O/S (NT) One Year (6-3 Part Number for U.S.) 224376-002

Data Center Enterprise Support Plan for 2 Node Cluster 7 x 24 4-hour H/W, 7 x 24 1-hour O/S (NT) One Year (6-3 Part Number for U.S.) 224377-002

Data Center Enterprise Support Plan for 4 Node Cluster 7 x 24 4-hour H/W, 7 x 24 1-hour O/S (NT) One Year (6-3 Part Number for U.S.) 224378-002

Data Center Solution Installation & Start-up Services (for servers)

Windows 2000 Datacenter Installation and Startup Service Package for Single Server (6-3 Part Number for U.S.) 224737-002

Windows 2000 Datacenter Installation and Startup Service Package for 2 Node Cluster (6-3 Part Number for U.S.) 224738-002

Windows 2000 Datacenter Installation and Startup Service Package for 4 Node Cluster (6-3 Part Number for U.S.) 224739-002

Data Center Software Support Only Options for Systems Integrators

Data Center Gold Support Plan for 50 Incidents (One-year) (6-3 Part Number for U.S.) 224381-002

Availability Assessment

Availability Assessment Service for Windows 2000 Datacenter (2-5-2 Part Number for U.S.) QR-SMAAT-BA

Windows 2000 Data Center Subscription Service for OS Service Packs and Updates (One Year Subscription)

NOTE: Required for each server.

Windows 2000 Data Center 1-8 Processors Software Updates (One-year) (6-3 Part Number for U.S.) 224740-002

NOTE: For more information, customer/resellers can contact <http://www.hp.com/hps/>.

Memory

Compaq ProLiant DL760 700 MHz-1MB Model 2-1024 Standard Memory

1024-MB buffered SDRAM DIMM memory (two kits of 2 x 256-MB DIMMs)

Standard Memory Plus Optional Memory

Up to 13,312-MB of SDRAM DIMM memory is available with the installation of optional SDRAM DIMM memory expansion kits.

Standard Memory Replaced with Optional Memory

Up to 16,384-MB of SDRAM DIMM memory is available with the removal of standard memory and the installation of optional SDRAM DIMM memory expansion kits.

NOTE: 16 slots with 2 per bank. Up to 16-GB memory total. Memory must be added in banks of two DIMMs. Charts do not represent all possible configurations.

Memory		Slot							
		1	2	3	4	5	6	7	8
Standard	1024 MB	256 MB	256 MB	256 MB	256 MB	empty	empty	empty	empty
Optional	13,312 MB	256 MB	256 MB	256 MB	256 MB	1024 MB	1024 MB	1024 MB	1024 MB
Maximum	16,384 MB	1024 MB	1024 MB	1024 MB	1024 MB	1024 MB	1024 MB	1024 MB	1024 MB
Memory		9	10	11	12	13	14	15	16
		Standard	1024 MB	empty	empty	empty	empty	empty	empty
Optional	13,312 MB	1024 MB	1024 MB	1024 MB	1024 MB	1024 MB	1024 MB	1024 MB	1024 MB
Maximum	16,384 MB	1024 MB	1024 MB	1024 MB	1024 MB	1024 MB	1024 MB	1024 MB	1024 MB

Following are memory options available from Compaq:

- 2048-MB 100MHz ECC SDRAM DIMMs Memory Expansion Kit (2 x 1024 MB) 328809-B21
- 1024-MB 100MHz ECC SDRAM DIMMs Memory Expansion Kit (2 x 512 MB) 328808-B21
- 512-MB 100MHz ECC SDRAM DIMMs Memory Expansion Kit (2 x 256 MB) 328807-B21
- 256-MB 100MHz ECC SDRAM DIMMs Memory Expansion Kit (2 x 128 MB) 328806-B21

Memory

Compaq ProLiant DL760 900 MHz-2MB Model 4 2048 & 700 MHz-2MB Model 4-2048

Standard Memory

2048-MB buffered SDRAM DIMM memory (two kits of 2 x 512-MB DIMMs)

Standard Memory Plus Optional Memory

Up to 14,336-MB of SDRAM DIMM memory is available with the installation of optional SDRAM DIMM memory expansion kits.

Standard Memory Replaced with Optional Memory

Up to 16,384-MB of SDRAM DIMM memory is available with the removal of standard memory and the installation of optional SDRAM DIMM memory expansion kits.

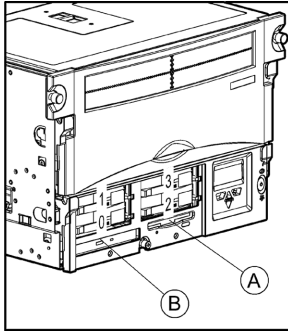
NOTE: 16 slots with 2 per bank. Up to 16-GB memory total. Memory must be added in banks of two DIMMs. Charts do not represent all possible configurations.

Memory		Slot							
		1	2	3	4	5	6	7	8
Standard	2048 MB	512 MB	512 MB	512 MB	512 MB	empty	empty	empty	empty
Optional	14,336 MB	512 MB	512 MB	512 MB	512 MB	1024 MB	1024 MB	1024 MB	1024 MB
Maximum	16,384 MB	1024 MB	1024 MB	1024 MB	1024 MB	1024 MB	1024 MB	1024 MB	1024 MB
		9	10	11	12	13	14	15	16
Standard	2048 MB	empty	empty	empty	empty	empty	empty	empty	empty
Optional	14,336 MB	1024 MB	1024 MB	1024 MB	1024 MB	1024 MB	1024 MB	1024 MB	1024 MB
Maximum	16,384 MB	1024 MB	1024 MB	1024 MB	1024 MB	1024 MB	1024 MB	1024 MB	1024 MB

Following are memory options available from Compaq:

- 2048-MB 100MHz ECC SDRAM DIMMs Memory Expansion Kit (2 x 1024 MB) 328809-B21
- 1024-MB 100MHz ECC SDRAM DIMMs Memory Expansion Kit (2 x 512 MB) 328808-B21
- 512-MB 100MHz ECC SDRAM DIMMs Memory Expansion Kit (2 x 256 MB) 328807-B21
- 256-MB 100MHz ECC SDRAM DIMMs Memory Expansion Kit (2 x 128 MB) 328806-B21

Storage



- 0 - 3 1" Ultra2/Ultra3 Hot Plug drive bays
- A Integrated 1.44MB Floppy drive
- B Integrated 24x IDE CD-ROM (Low-Profile)

Drive Support

	Quantity Supported	Position Supported	Controller
Integrated Media			
Integrated 1.44-MB Diskette Drive	Up to 1	A	Integrated
Integrated 24x IDE CD-ROM Drive (Low-profile)	Up to 1	B	Integrated IDE

Hard Drives

Ultra320 Hot Pluggable Drives

	Quantity Supported	Position Supported	Controller
1-inch	Up to 4	0-3	
146.8-GB 10,000 rpm			Integrated Smart Array Controller
72.8-GB 10,000 rpm			Smart Array 532 Controller
36.4-GB 10,000 rpm			Smart Array 5302/128 Controller
72.8-GB 15,000 rpm			Smart Array 5304/256 Controller
36.4-GB 15,000 rpm			Smart Array 5312 Controller
18.2-GB 15,000 rpm			64-bit/66-MHz Dual Channel Wide Ultra3 SCSI Adapter 64-bit/66-MHz Single Channel Wide Ultra3 SCSI Adapter 64-bit/133-MHz Dual Channel Ultra320 SCSI Adapter

NOTE: All U320 Universal Hard Drives are backward compatible to U2 or U3 speeds. U320 drives require an optional U320 Smart Array Controller or U320 SCSI HBA to support U320 transfer rates.

Storage

External Storage

	Quantity Supported	Position Supported	Controller
StorageWorks Enclosure 4300 Family (supports Ultra2/Ultra3 drives)	Up to 44	External	Smart Array 532 Controller Smart Array 5302/128 Controller Smart Array 5304/256 Controller Smart Array 5312 Controller 64-bit/66-MHz Dual Channel Wide Ultra3 SCSI Adapter 64-bit/66-MHz Single Channel Wide Ultra3 SCSI Adapter 64-Bit/133MHz Dual Channel Ultra320 SCSI Adapter
MSA 1000	Please see the MSA 1000 QuickSpecs below to determine configuration requirements	External	Please see the MSA 1000 QuickSpecs (URL below) for the latest list of supported HBA's

MSA 1000: http://h18000.www1.hp.com/products/quickspecs/11033_div/11033_div.HTML

Maximum Storage Capacity – (StorageWorks Enclosure SCSI Attached)

Internal	587.2 GB (4 x 146.8-GB Ultra320 1" Drives)
External	90.428 TB hot plug SCSI storage (44 x (14 x 146.8-GB Ultra320 1" Drives))
Total	91.016 TB

Storage

Tape Drives

NOTE: For an up-to-date listing of the latest O/S Support details for each of the Tape Drives listed below, please see the following:

http://h18000.www1.hp.com/products/quickspecs/North_America/10233.html (North America)

<http://h18000.www1.hp.com/products/quickspecs/Division/10233.html> (Worldwide)

NOTE: For an up-to-date listing of the latest O/S Support details for each of the Tape Storage Systems listed below, please see the following:

http://h18000.www1.hp.com/products/quickspecs/North_America/10809.html (North America)

<http://h18000.www1.hp.com/products/quickspecs/Division/10809.html> (Worldwide)

	Quantity Supported	Position Supported	Controller
AIT 100-GB External AIT 50-GB External AIT 35-GB LVD External	Up to 1	External	Integrated Smart Array Controller 64-bit/66-MHz Dual Channel Wide Ultra3 SCSI Adapter 64-bit/66-MHz Single Channel Wide Ultra3 SCSI Adapter 64-Bit/133-MHz Dual Channel Ultra320 SCSI Adapter
External 40/80-GB DLT Enhanced External 20/40-GB DLT	Up to 3 per controller	External	Integrated Smart Array Controller 64-bit/66-MHz Dual Channel Wide Ultra3 SCSI Adapter 64-bit/66-MHz Single Channel Wide Ultra3 SCSI Adapter 64-Bit/133-MHz Dual Channel Ultra320 SCSI Adapter
HP StorageWorks AIT 35 GB Autoloader	Up to 1 (for a single HBA) Up to 2 (for a dual HBA)	External	64-bit/66-MHz Dual Channel Wide Ultra3 SCSI Adapter 64-bit/66-MHz Single Channel Wide Ultra3 SCSI Adapter 64-Bit/133-MHz Dual Channel Ultra320 SCSI Adapter
SDLT 110/220-GB, External	Up to 2	External	64-bit/66-MHz Dual Channel Wide Ultra3 SCSI Adapter 64-bit/66-MHz Single Channel Wide Ultra3 SCSI Adapter 64-Bit/133-MHz Dual Channel Ultra320 SCSI Adapter
SSL2020 AIT Library	2 drives per SCSI channel	External	64-Bit/66-MHz Dual Channel Wide Ultra3 SCSI Adapter 64-Bit/133-MHz Dual Channel Ultra320 SCSI Adapter
MSL5026DLX (40/80GB DLT-based) MSL5026SL (SDLT-based) Library MSL5052SL (SDLT-based) Library MSL5026S2 (SDLT-based) Library MSL5052S2 (SDLT-based) Library MSL5030L1 (LTO-based) Library MSL5060L1 (LTO-based) Library	2 drives per SCSI channel	External	64-Bit/66-MHz Dual Channel Wide Ultra3 SCSI Adapter
20/40-GB DAT 8 Cassette Autoloader External	Up to 1	External	64-Bit/66-MHz Dual Channel Wide Ultra3 SCSI Adapter 64-Bit/66-MHz Single Channel Wide Ultra3 SCSI Adapter 64-Bit/133-MHz Dual Channel Ultra320 SCSI Adapter
DLT1 1280 SuperLoader	Up to 2	External	64-Bit/66-MHz Dual Channel Wide Ultra3 SCSI Adapter 64-Bit/66-MHz Single Channel Wide Ultra3 SCSI Adapter 64-Bit/133-MHz Dual Channel Ultra320 SCSI Adapter

TechSpecs

System Unit	Dimensions (HxWxD)	12.14 x 17.5 x 27 in (30.83 x 44.45 x 68.58 cm)
	Weight	165 lb (75 kg)
	No hard drives installed, two power supplies	
	Input Requirements (per power supply)	Rated Input Voltage 100 to 120 VAC/200 to 240 VAC (lowline/highline) Rated Input Frequency 47 to 63 Hz (lowline/highline) Input Power 740W/1700W (lowlinehighline) Rated Input Current 8A at 100 VAC/10A at 200 VAC (lowlinehighline)
	BTU Rating (Maximum output) (NOTE that the maximum heat output by the server is equal to the electrical power input.)	1555 Watts [5309 BTU/hr] (System is configured to draw maximum power)
	SCSI Connector	One VHDCI connector for tape support only
	Power Supply Output Power (per power supply)	Rated Steady-State Power 500W/1150W (lowlinehighline) Maximum Peak Power 540W/1150W (lowlinehighline)
	Temperature Range	Operating 50° to 95° F at sea level, altitude de-rating of 1.8° F per 1,000 ft to 10,000 ft (10° to 35° C at sea level, altitude de-rating of 1° C per 300 m to 3,000 m). Maximum rate of change is 18° F/Hr (10° C/Hr) Non-operating 22° to 140° F (-30° to 60° C). Maximum rate of change is 36° F/Hr (20° C/Hr)
	Relative Humidity (non-condensing)	Operating 10 to 90% relative humidity, 82.4° F (28° C) maximum wet bulb temperature, non-condensing Non-operating 5 to 95% relative humidity, 101.7° F (38.7° C) maximum wet bulb temperature, non-condensing
	Maximum Wet Bulb Temperature	101.7° F (38.7° C)
	Acoustic Noise	Idle (Fixed Disk Drives Spinning) L _{WAd} (BELS) 7.0 L _{pAm} (dBA) 54 Operating (Random Seeks to Fixed Disks) L _{WAd} (BELS) 7.0 L _{pAm} (dBA) 54

TechSpecs

Power Supply	1150/500W, Hot Plug Redundant (2 standard)	One Redundant Power Supply (optimized to provide full redundancy at 220 volts)														
	Input Specifications	<table border="0"> <tr> <td>Normal Line Voltage</td> <td>100 to 120 VAC/200 to 240 VAC</td> </tr> <tr> <td>Range Input Line</td> <td>90 to 132 VAC/180 to 265 VAC</td> </tr> <tr> <td>Frequency Range</td> <td>47 to 63 Hz</td> </tr> <tr> <td>Power Factor</td> <td>0.95</td> </tr> <tr> <td>Input Current</td> <td>8 A at 100 VAC/10 A at 200 VAC</td> </tr> <tr> <td>Inrush Current</td> <td>< 70 A at 132 VAC (cold start)</td> </tr> <tr> <td>Holdup Time</td> <td>20 ms from zero crossing at 120 VAC</td> </tr> </table>	Normal Line Voltage	100 to 120 VAC/200 to 240 VAC	Range Input Line	90 to 132 VAC/180 to 265 VAC	Frequency Range	47 to 63 Hz	Power Factor	0.95	Input Current	8 A at 100 VAC/10 A at 200 VAC	Inrush Current	< 70 A at 132 VAC (cold start)	Holdup Time	20 ms from zero crossing at 120 VAC
Normal Line Voltage	100 to 120 VAC/200 to 240 VAC															
Range Input Line	90 to 132 VAC/180 to 265 VAC															
Frequency Range	47 to 63 Hz															
Power Factor	0.95															
Input Current	8 A at 100 VAC/10 A at 200 VAC															
Inrush Current	< 70 A at 132 VAC (cold start)															
Holdup Time	20 ms from zero crossing at 120 VAC															
	General Specifications	<table border="0"> <tr> <td>Full Output Rating</td> <td>To 104° F (40° C) and 5,000 ft (1524 m) To 89.6° F (32° C) and 10,000 ft (3,048 m) (derate linearly)</td> </tr> <tr> <td>Minimum Load</td> <td>1 A on 5 V output; 1 A on 12 V output; 0.5 A on 3.3 V output</td> </tr> </table>	Full Output Rating	To 104° F (40° C) and 5,000 ft (1524 m) To 89.6° F (32° C) and 10,000 ft (3,048 m) (derate linearly)	Minimum Load	1 A on 5 V output; 1 A on 12 V output; 0.5 A on 3.3 V output										
Full Output Rating	To 104° F (40° C) and 5,000 ft (1524 m) To 89.6° F (32° C) and 10,000 ft (3,048 m) (derate linearly)															
Minimum Load	1 A on 5 V output; 1 A on 12 V output; 0.5 A on 3.3 V output															
	Ambient Temperature Range	<table border="0"> <tr> <td>Operating</td> <td>50° to 104° F (10° to 40° C)</td> </tr> <tr> <td>Storage</td> <td>-40° to 149° F (-40° to 65° C)</td> </tr> </table>	Operating	50° to 104° F (10° to 40° C)	Storage	-40° to 149° F (-40° to 65° C)										
Operating	50° to 104° F (10° to 40° C)															
Storage	-40° to 149° F (-40° to 65° C)															
	Dielectric Voltage Withstand	<table border="0"> <tr> <td>Input to Output</td> <td>3,000 VAC/min</td> </tr> <tr> <td>Input to Ground</td> <td>1,500 VAC/min</td> </tr> </table>	Input to Output	3,000 VAC/min	Input to Ground	1,500 VAC/min										
Input to Output	3,000 VAC/min															
Input to Ground	1,500 VAC/min															
	Input Transient Susceptibility	<table border="0"> <tr> <td>Common and Differential Mode (superimposed on AC line)</td> <td>2,500 V, 1μs, damped sinusoid 600 V, 10 μs pulse</td> </tr> <tr> <td>Differential Mode</td> <td>20% step change in AC input voltage</td> </tr> </table>	Common and Differential Mode (superimposed on AC line)	2,500 V, 1 μ s, damped sinusoid 600 V, 10 μ s pulse	Differential Mode	20% step change in AC input voltage										
Common and Differential Mode (superimposed on AC line)	2,500 V, 1 μ s, damped sinusoid 600 V, 10 μ s pulse															
Differential Mode	20% step change in AC input voltage															

1.44-MB Diskette Drive	Size	3.5 in								
	LED Indicators (front panel)	Green								
	Read/Write Capacity per Diskette (high/low density)	1.44 MB/720 KB								
	Drive Supported	One								
	Drive Height	11 mm								
	Drive Rotation	300 rpm								
	Transfer Rate Synchronous (Maximum) (high/low)	500 K/250 K bits/s								
	Bytes/Sector	512								
	Sectors/Track (high/low)	18/9								
	Tracks/Side (high/low)	80/80								
	Access Times	<table border="0"> <tr> <td>Track-to-Track (high/low)</td> <td>3/6 ms</td> </tr> <tr> <td>Average (high/low)</td> <td>174/94 ms</td> </tr> <tr> <td>Settling Time</td> <td>15 ms</td> </tr> <tr> <td>Latency Average</td> <td>83/100 ms</td> </tr> </table>	Track-to-Track (high/low)	3/6 ms	Average (high/low)	174/94 ms	Settling Time	15 ms	Latency Average	83/100 ms
Track-to-Track (high/low)	3/6 ms									
Average (high/low)	174/94 ms									
Settling Time	15 ms									
Latency Average	83/100 ms									
	Cylinders (high/low)	80/80								
	Read/Write Heads	Two								

TechSpecs

Low-Profile 24X Max IDE CD-ROM Drive	Disk	Applicable Disk	CD-DA, CD-ROM (Mode 1 and 2) CD-XA, CD-I (Mode 2, Form 1 and 2) CD-I Ready, CD Extra, Video CD, CD-Bridge Photo CD (Single and Multi-session) CD-WO
		Capacity	550 MB (Mode 1, 12 cm) 640 MB (Mode 2, 12 cm)
		Diameter	4.7 x 3.15 in/12 x 8 cm
		Rotational Speed	4200 rpm maximum
		Center Hole	0.6 in/15 mm diameter
		Thickness	1.2 mm
		Track Pitch	1.6 μ m
	Block Size	Mode 0	2,368, 2,352 bytes
		Mode 1	2,352, 2,340, 2,336, 2,048 bytes
		Mode 2	2,352, 2,340, 2,336, 2,048 bytes
	Interface	IDE (ATAPI)	
	Access Times (typical)	Random	< 140 ms
		Full-Stroke	< 300 ms
	Data Transfer Rate	Sustained	150 KB/s (sustained 1X)
		Burst	2100 to 4800 KB/s
	Cache Buffer	128 KB	
	Start-up Time (typical)	< 10 seconds	
	Stop Time	< 5 seconds	
	Operating Conditions	Temperature	41° to 120° F (5° to 55° C)
		Humidity	10% to 80%
Dimensions	(HxWxD, maximum)	0.5 x 5.16 x 5.12 in (1.27 x 13.1 x 13 cm)	
	Weight	< 0.75 lb (< 340 g)	

TechSpecs

Integrated Smart Array Controller	Data Compatible with all Smart Array Controllers	Yes
	Instant Upgrades to other Smart Array Controllers	Yes
	Consistent Software Manageability Tools	Yes
	PCI Bus	32-bit, 33 MHz (integrated on peripheral board)
	PCI Peak Data Transfer Rate	133 MB/s
	SCSI Protocols Supported	Ultra2, Wide-Ultra
	SCSI Peak Data Transfer Rate	80 MB/s
	Channels	2 1/1
	Drives Supported (Maximum)	Maximum = total number of drives
	NOTE: Maximum is the total number of internal drives on each specific ProLiant server.	
	Cache	8-MB read only
	RAID Support	0, 1, 1+0, 5
	Logical Drives (external/internal)	32
	Online Configuration	Yes
	Online Capacity Expansion	Yes
	Logical Drive Capacity Extension	Yes
	Online Stripe Size Migration	Yes
	Online RAID Level Migration	Yes
	Online Spare Support	Yes
	Automatic Data Recovery	Yes
	Drive Roaming	Yes
	Redundant Controllers	No

TechSpecs

NC3134 Fast Ethernet NIC 64 PCI Dual Port 10/100

Network Interface	10Base-T/100Base-TX	
Compatibility	IEEE 802.3/802.3u compliant	
Data Transfer Method	64-bit/66-MHz bus-master PCI, compatible with 64/33, 32/66, and 32/33	
Network Transfer Rate	10Base-T (Half-Duplex), 10Base-2	10 Mb/s
	10Base-T (Full-Duplex)	20 Mb/s
	100Base-TX (Half-Duplex)	100 Mb/s
	100Base-TX (Full-Duplex)	200 Mb/s
Connector	RJ-45	
I/O Address and Interrupt	Automatic Configuration	
Cable Support	10Base-T	Categories 3, 4 or 5 UTP (2 or 4 pair); up to 328 ft (100 m)
	100Base-TX	Category 5 UTP (2 pair); up to 328 ft (100 m)
OS Driver Support	Microsoft Windows 2000 and NT 4.x	
	Novell NetWare 4.x and 5.x	
	Linux	
	SCO OpenServer 5.x	
	SCO UnixWare 7.x	
	OS/2 Warp Server Solaris v.8	

© Copyright 2003 Hewlett-Packard Development Company, L.P.

The information contained herein is subject to change without notice.

Microsoft and Windows NT are US registered trademarks of Microsoft Corporation. Intel is a US registered trademark of Intel Corporation.

The only warranties for HP products and services are set forth in the express warranty statements accompanying such products and services. Nothing herein should be construed as constituting an additional warranty. HP shall not be liable for technical or editorial errors or omissions contained herein.