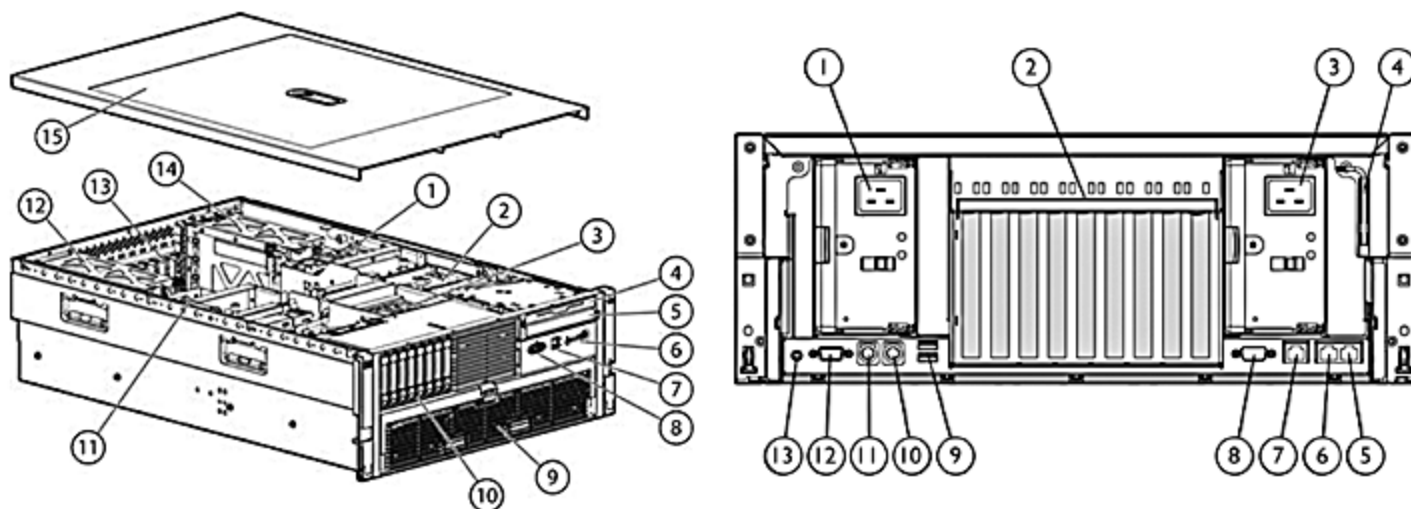


Overview



Front View:

1. Hot Plug Redundant Fans (standard)
2. System Insight Display
3. Hot Plug Redundant Fans (standard)
4. 1.44 MB Diskette Drive bay
5. DVD/CD-RW drive (standard)
6. Front Panel LED Display (internal and external health, Unit ID light) and Power Button
7. Two USB ports
8. One video port
9. Front accessible processor / memory cage
10. Eight bay Small Form Factor (SFF) Serial Attached SCSI (SAS) drive cage
11. 4U (7" Height) Rack Form Factor
12. Hot Plug Redundant Power Supply
13. Nine PCI I/O Slots (2 64-bit/100MHz PCI-X, 4 PCI-Express x4, 3 PCI-Express x8)
14. Hot Plug Redundant Power Supply
15. Removable Top Access Panel

Rear View:

1. Redundant hot-plug power supply (optional)
2. PCI Express and PCI-X non-hot-plug expansion slots
3. Hot-plug power supply (primary)
4. T-15 Torx screwdriver
5. NIC connector 2
6. NIC connector 1
7. Integrated Lights-Out 2 (iLO 2) connector
8. Serial connector
9. USB connectors (two)
10. Mouse connector
11. Keyboard connector
12. Video connector
13. Rear UID button and LED

What's New

- Now with support for AMD's latest quad-core 8300 series processors and built on 45nm process technology for better virtualization performance, higher clock frequency, power efficiency, and improved TCO.

Overview

At A Glance

The HP ProLiant DL585 G5 is a highly manageable, rack optimized, four-socket server designed for maximum performance in an industry standard architecture. With up to four (4) Quad-Core AMD Opteron™ processors and a large memory footprint, the DL585 G5 delivers the performance and performance-per-watt needed for compute-hungry database, virtualization, and consolidation applications. Its industry leading remote management functions help reduce costs and improve the ability to respond quickly to business changes.

- **Processors:**
 - Quad-Core AMD Opteron™ 8300 Series Processors
 - Up to 6MB shared L3 cache
 - Up to 3.1GHz clock speed
 - New Low-power HE options now available
- **Memory:**
 - Up to 256 GB of memory,
 - 32 slots of PC2-5300 or PC2-6400 registered DIMMs up to 800MHz
- **Storage Controller:**
 - 2.2GHz Models: HP Smart Array P400/256 MB Controller (in PCI-Express slot 9)
 - 2.3GHz, 2.4GHz, 2.5GHz Models: HP Smart Array P400/512 MB Controller with BBWC (in PCI-Express slot 9)
- **Internal Drive Support:**
 - Up to 4.0TB internal storage
 - Slimline optical drive bay, DVD/CD-RW standard on some models
- **Network Controller:**
 - Two embedded NC371i Multifunction Gigabit Network Adapters with TCP/IP Offload Engine, including support for Accelerated iSCSI through an optional Licensing Kit
- **Expansion Slots:**
 - 9 total slots: (3) x8 PCI-Express; (4) x4 PCI-Express; (2) PCI-X (100MHz)
 - One slot populated with the Smart Array P400 Controller
- **Ports:**
 - USB: (5) Total USB 2.0 Ports: (2) front; (2) rear; (1) internal
 - Video: One front and one rear video ports
- **Redundancy:**
 - Redundant hot plug power supplies and fans
- **Infrastructure Management:**
 - Convenient slide-out Systems Insight Display for quick and easy front view server diagnostics, along with status LEDs, Automatic Server Recovery (ASR), ROM Based Setup Utility (RBSU)
 - HP Integrated Lights-Out 2 (iLO 2) management processor for simplified server setup, health monitoring and recovery, power and thermal control, and lights-out remote administration.
 - HP Insight Control a product option, delivers essential infrastructure management that can help save time and money by making it easy to deploy, migrate, monitor, control and optimize your IT infrastructure through a single, simple management console. Insight Control supports both Windows and Linux-based central management servers.
 - HP Insight Dynamics for ProLiant, a product option, is an integrated command center that enables IT Staff personnel to continuously analyze and optimize a converged infrastructure, while automating and reducing the cost of common data center tasks by as much as 40 percent. This ultimately enables them to dynamically keep pace with the organization's changing business requirements.
- **Form Factor:**
 - Delivering maximum performance in a versatile, rack optimized form factor
- **Deployment/Serviceability:**
 - System Insight Display on the front bezel for quick and easy server diagnostics
 - Tool-less and virtually cable-less internal design
 - Rapid Deployment racking solution (rack rails and cable management)
 - Customer Self Repair (CSR): HP products are designed with many CSR parts to minimize repair time and allow for greater flexibility in performing defective parts replacement
- **Warranty:**
 - This product is covered by a global limited warranty and supported by HP Services and a worldwide network of HP Authorized Channel Partners resellers. Hardware diagnostic support and repair is available for three years from date of purchase. Support for software and initial setup is available for 90 days from date of purchase. Enhancements to warranty services are available through HP Care Pack services or customized service agreements. Hard drives have either a one year or three year warranty; refer to the specific hard drive QuickSpecs for details.
NOTE: Server Warranty includes 3-Year Parts, 3-Year Labor, 3-Year Onsite support with next business day response. Warranty repairs may be accomplished through the use of Customer Self Repair (CSR) parts. These parts fall into two categories: 1) Mandatory CSR parts are designed for easy replacement. A travel and labor charge will result when customers decline to replace a Mandatory CSR part; 2) Optional CSR parts are also designed for easy replacement but may involve added complexity. Customers may choose to have HP replace Optional CSR parts at no charge. Additional information regarding worldwide limited warranty and technical support is available at: <http://h18004.www1.hp.com/products/servers/platforms/warranty/index.html>.

Standard Features

NOTE: For the Standard Features shipped in the "Factory Integrated Models", please see the "Configuration Information - Factory Integrated Models" section.

Processor

Two or four of the following depending on model

Quad-Core Processors

- AMD Opteron™ 8393 SE Quad-Core Processor (3.1 GHz, 105 W ACP)
- AMD Opteron™ 8389 Quad-Core Processor (2.9 GHz, 75 W ACP)
- AMD Opteron™ 8387 Quad-Core Processor (2.8 GHz, 75 W ACP)
- AMD Opteron™ 8381 HE Quad-Core Processor (2.5 GHz, 55 W ACP)
- AMD Opteron™ 8386 SE Quad-Core Processor (2.8 GHz, 105 W ACP)
- AMD Opteron™ 8384 Quad-Core Processor (2.7 GHz, 75 W ACP)
- AMD Opteron™ 8382 Quad-Core Processor (2.6 GHz, 75 W ACP)
- AMD Opteron™ 8380 Quad-Core Processor (2.5 GHz, 75 W ACP)
- AMD Opteron™ 8378 Quad-Core Processor (2.4 GHz, 75 W ACP)
- AMD Opteron™ 8376 HE Quad-Core Processor (2.3 GHz, 55 W ACP)
- AMD Opteron™ 8360 SE Quad-Core Processor (2.5 GHz, 105 W ACP)
- AMD Opteron™ 8358 SE Quad-Core Processor (2.4 GHz, 105 W ACP)
- AMD Opteron™ 8356 Quad-Core Processor (2.3 GHz, 75 W ACP)
- AMD Opteron™ 8354 Quad-Core Processor (2.2 GHz, 75 W ACP)
- AMD Opteron™ 8347 HE Quad-Core Processor (1.9 GHz, 55 W ACP)

NOTE: Support for 2 or 4 processors

NOTE: AMD Opteron™ 8300 Series Processors are 64-bit, Quad-Core, and support AMD Virtualization™.

NOTE: Processor wattage references reflect Average CPU Power (ACP). For more information on ACP, please see: <http://www.amd.com/powernow>.

Cache Memory

One of the following depending on model

512 KB integrated level 2 cache per core

2 MB shared level 3 cache per processor

NOTE: Depends on model.

6 MB shared level 3 cache per processor

NOTE: Depends on model.

Chipset

nVidia NForce Professional 2200 and 2050 chipsets, and AMD-8132 chipset

Memory Protection

Advanced ECC

Memory

Type PC2-5300 Registered DIMMs at 667 MHz

One of the following depending on model

PC2-6400 Registered DIMMs at 800 MHz

Standard

4GB (4 x 1GB)

One of the following depending on Model

8GB (8 x 1GB)

16GB (8 x 2GB)

Maximum

256GB (32 x 8GB)

Network Controller

Two embedded NC371i Multifunction Gigabit Network Adapters with TCP/IP Offload Engine, including support for Accelerated iSCSI through an optional Licensing Kit

Standard Features

Expansion Slots

Expansion Slots #	Technology	Bus Width***	Connector Width	Bus Number*	Device No.**	Form Factor	Notes
1	PCI-X (100MHz, 3.3 Volt)	64-bit	N/A	66	1	Half length, full height	
2	PCI-X (100MHz, 3.3 Volt)	64-bit	N/A	66	2	Full length, full height slot	
3	PCI Express	x4	x8	73	0	Full length, full height slot	100MHz
4	PCI Express	x4	x8	76	0	Full length, full height slot	100MHz
5	PCI Express	x8	x16	70	0	Full length, full height slot	100MHz
6	PCI Express	x4	x8	79	0	Full length, full height slot	100MHz
7	PCI Express	x8	x16	2	0	Full length, full height slot	100MHz
8	PCI Express	x8	x16	5	0	Full length, full height slot	100MHz
9	PCI Express	x4	x8	8	0	Half length, full height	Reserved slot for Smart Array P400 Controller

* Default bus assignment (in decimal). Inserting cards with PCI bridges may alter the actual bus assignment number

** Slots are enumerated differently based on OS. MS OS's enumerate from lowest to highest Device ID by bus (starting with the lowest bus).

*** Indicates the number of physical electrical lanes running to a PCI-e connector.

Storage Controllers

One of the following depending on Model

HP Smart Array P400/256 MB Controller (in PCI-Express slot 9)

NOTE: Standard on 2.2GHz models.

HP Smart Array P400/512 MB Controller with BBWC (in PCI-Express slot 9)

NOTE: Standard on 2.3GHz, 2.4GHz, and 2.5GHz models.

Storage Data Protection

The Battery-Backed Write Cache (BBWC) Enabler for the Smart Array P400 Controller protects up to 512MB write cache memory from hard boot, power, controller, or system board failures.

- Standard on most HP ProLiant DL585 G5 models
- Battery charge/life: Up to 72 hours/3 years
- Transportable data protection
- Increases overall controller performance

NOTE: Safely transport your write cache data to another HP ProLiant DL585 G5 in the data center by removing the BBWC and Smart Array P400 Controller Memory Module simultaneously.

Storage

Diskette Drive	1.44MB Diskette Drive bay available
Optical Drive	Slimline DVD/CD-RW Drive Standard on some models - ejectable for security and serviceability
Hard Drives	None ship standard
Hard Disk Drive Backplane	Internal SAS backplane supports up to eight SFF hard disk drives

Maximum Internal Storage Type

Hot Plug SFF SAS	4.0TB	8 x 500GB
Hot Plug SFF SATA	4.0TB	8 x 500GB

Standard Features

Interfaces	Serial	1
	Pointing Device (Mouse)	1
	Video	1 front, 1 rear
	Keyboard	1
	USB 2.0 Ports	2 front, 2 rear, 1 internal
	iLO 2 Remote Management	1
	Network RJ-45	2
	<hr/>	
Graphics	Integrated ATI-RN50 with 32MB DDR memory	
<hr/>		
Form Factor	Rack (4U = 7 inches), ships with sliding rails and cable management system Space saving form factor (4U) provides space efficiencies while providing maximum deployment flexibility	
<hr/>		
HP Insight management software	HP Insight Foundation	<p>Managing the growing number of servers can be complex and expensive for your organization. IT managers need to address changing business needs with tools that meet the challenges of managing today's complex Datacenters.</p> <p>HP provides management solutions that are designed to simplify a server's installation, configuration and maintenance throughout the entire server lifecycle. This provides the customer with higher levels of operational efficiency and highly reliable systems: http://www.hp.com/go/foundation.</p> <p>The foundation pack includes:</p> <ul style="list-style-type: none"> ● HP SmartStart ● HP Management ● HP ProLiant Firmware Maintenance <p>SmartStart version supported (minimum): SmartStart 7.60. http://www.hp.com/servers/smartstart</p>
	HP Integrated Lights-Out (iLO) integrated on system board	<p>HP Integrated Lights-Out (iLO) simplifies server setup, health monitoring, power and thermal control, and lights-out remote administration of ProLiant ML, DL, and BL servers. HP iLO functions without additional software and can be accessed from any location via a web browser. HP iLO works hand-in-hand with HP Systems Insight Manager, Insight Control suites, and Insight Dynamics for ProLiant, helping customers unleash the value of the ProLiant platform and deliver the highest possible quality of IT service. For more information, visit: www.hp.com/go/iLO</p>
	HP Insight Control	<p>HP Insight Control, a product option, delivers essential infrastructure management that can help save time and money by making it easy to deploy, migrate, monitor, remote control, and optimize your IT infrastructure through a single, simple management console.</p> <p>Two versions of Insight Control are available, to serve environments requiring either a Linux-based or a Windows-based central management server: HP Insight Control for Linux, and HP Insight Control. See www.hp.com/go/insightcontrol</p>
	HP Insight Dynamics for ProLiant	<p>HP Insight Dynamics for ProLiant, a product option, is an integrated command center that enables IT Staff personnel to continuously analyze and optimize a converged infrastructure, while automating and reducing the cost of common data center tasks by as much as 40 percent. As a powerfully integrated by design toolkit to accelerate complex technology projects and simplify daily operations that ultimately enable IT Staff personnel to dynamically keep pace with the organizations changing business requirements. It enables them to plan capacity and power continuously, balance across physical and virtual resources, and ensure cost-effective high availability. It also enables IT organizations to provision infrastructure consistently and automatically from pools of shared resources using a self-service portal. Resources provisioned can</p>

Standard Features

range from a single virtual machine to complex multi-tier environments and their associated physical and virtual resource requirements. In addition to the previous functional benefits, it also provides a cost-effective disaster recovery for physical and virtual environments that works with HP StorageWorks Continuous Access software for both the Enterprise Virtual Array and the XP storage array allowing application environments to be reactivated in minutes with the touch of a button to a remote location.

NOTE: For more information, visit:
<http://www.hp.com/go/insightdynamics>

Industry Standard Compliance

ACPI 1.0a. Compliant
 PCI 2.2 Compliant
 PXE Support
 WOL Support (with embedded NC371i Multifunction Gigabit Network Adapters)
 Physical Address Extension (PAE) Support
 Microsoft® Logo certifications
 USB 2.0 Support

Intelligent Manageability

HP Systems Insight Manager software
 SmartStart
 Redundant ROM
 Remote Flash ROM
 Management Agents
 Integrated Management Log (IML)
 Automatic Server Recovery-2 (ASR-2)
 ROM-Based Setup Utility (RBSU)
 Dynamic Sector Repairing (with Smart Array Controllers)
 Drive Parameter Tracking (with Smart Array Controllers)
 Pre-Failure Warranty (covers processors, SAS hard drives and memory)
 Redundant/adaptive load balancing NIC Support

Availability

- Smart Array P400 Controller with Battery Backed Write Cache (BBWC) provides transportable data protection and increases overall controller performance. Up to 512MB Battery Backed Write Cache protection available on HP ProLiant DL585 G5 models.
 - Up to eight hot-plug SFF SAS Hard Drives
 - Dual Hot-Plug Redundant Power Supplies
 - Hot-Plug Redundant Fans (standard)
- Fans are N+1 hot plug redundant and individually removable.

Serviceability

- System Insight Display - precisely depicts all major subsystems of the server (PCI I/O, Memory, CPU, Redundant Cooling, Interlock, Thermal) and gives instant visual indication of fault status. Located on top front of server, beneath lid.
- Tool-less, virtually cable-less interior design
 - Tool-less access to interior of server
 - Two ejectable, slimline Media Bay media drives (DVD/CD-RW standard) are removable without the use of tools
 - Front accessible processors and memory
 - PCI Card Guides locks full length PCI cards in place during transit
 - Six individually removable fans connect without cables to the system board
 - Tool-less removal of system board
- Quick Deploy Rails
- Tool-less design "snap in" rail

Security

Power-on password
 Keyboard password
 Diskette drive control enable/disable
 Diskette boot control enable/disable
 External USB port enable/disable
 Network Server Mode
 Serial interface control
 Administrator's password
 Removable optical drive

Standard Features

Power Supply	910W (low line), 1300W (high line) with 12V main output. Size is 2.8"(H) X 4.9"(W) X 7.5"(L). NOTE: One Hot Plug Power Supply ships with Standard Models (optional Redundant Hot Plug Power Supply Option Kit available). High Performance models ship with two Hot Plug Power Supplies.	
UPS and PDU Power Cord Matrix	Please see the UPS and PDU cable matrix's on the HP Power Protection and Management page. Under Power Cords, click on the "HP Power Cord Matrix" link. That link will list cable descriptions, requirements, and specifications for UPS and PDU units. Please see the following link: www.hp.com/products/powercords .	
Server Power Cords	The HP ProLiant DL585 G5 servers ship standard worldwide with a 6-foot IEC 320-C14 to IEC320-C19 jumper cord. Japanese models also include a 3.6 meter lowline (100V) power cord. If you require a local power cord, please check the Power Specifications below for the appropriate country-specific power cord, or consult the Power Cord Matrix: http://www.hp.com/go/powercordmatrix .	
System Fans	Standard	6 Hot plug, redundant fans (individually removable)
	Maximum	6 Hot plug, redundant fans (individually removable)
Required Cabling	For required cabling information, refer to the HP Web site at: www.hp.com/servers/dl585	
Operating Systems and Virtualization Software Support for ProLiant Servers	<p>Microsoft Windows Server Microsoft Windows Server Hyper V Red Hat Enterprise Linux (RHEL) SUSE Linux Enterprise Server (SLES) Oracle Enterprise Linux (OEL) Solaris Citrix Essentials for XenServer</p> <p>NOTE: For more information on HP's Certified and Supported ProLiant Servers for OS and Virtualization Software and latest listing of software drivers available for your server, please visit our Support Matrix at: www.hp.com/go/ossupport and our driver download site www.hp.com/support/DL585G5</p>	
Rack Airflow Requirements	<p>Rack 10000 G2 series Cabinets</p> <p>The increasing power of new high-performance processor technology requires increased cooling efficiency for rack-mounted servers. The 10000 G2 Series Racks provide enhanced airflow for maximum cooling, allowing these racks to be fully loaded with servers using the latest processors.</p> <p>CAUTION: If a third-party rack is used, observe the following additional requirements to ensure adequate airflow and to prevent damage to the equipment:</p> <ul style="list-style-type: none"> ● Front and rear doors: If your 42U server rack includes closing front and rear doors, you must allow 830 square inches (5,350 sq cm) of holes evenly distributed from top to bottom to permit adequate airflow (equivalent to the required 64 percent open area for ventilation). ● Side: The clearance between the installed rack component and the side panels of the rack must be a minimum of 2.75 inches (7 cm). <p>CAUTION: Always use blanking panels to fill all remaining empty front panel U-spaces in the rack. This arrangement ensures proper airflow. Using a rack without blanking panels results in improper cooling that can lead to thermal damage.</p> <p>NOTE: For additional information, refer to the Setup and Installation Guide or the Documentation CD provided with the server, or to the server documentation located in the Support section at the following URL: www.hp.com/servers/dl585.</p>	
Rack Kit	Quick deploy rail system provides tool-free support for racks with square or round mounting holes (including Compaq/HP 7000, 9000, 10000 G2 and HP series), with an adjustment range of 24" - 36". The ambidextrous cable management arm can be mounted on either the left or right side for improved cable management.	
Telco Rack Support	Support for all 2-post Telco racks requires the use of the standard rack kit and an additional option kit from Rack Solutions at: http://www.hp.com/go/rackandpower	

Standard Features

Factory Express Portfolio for Servers and Storage

HP Factory Express offers configuration, customization, integration and deployment services for HP servers and storage products. Customers can choose how their factory solutions are built, tested, integrated, shipped and deployed.

Factory Express offers service packages for simple configuration, racking, installation, complex configuration and design services as well as individual factory services, such as image loading, asset tagging, and custom packaging. HP products supported through Factory Express include a wide array of servers and storage: HP Integrity, HP ProLiant, HP ProLiant Server Blades, HP BladeSystem, HP 9000 servers as well as the MSAxxxx, VA7xxx, EVA, XP, rackable tape libraries and configurable network switches.

For more information on Factory Express services for your specific server model, please contact your sales representative or go to: <http://www.hp.com/go/factory-express>.

HP Enterprise Configurator

The HP eConfigure-Enterprise Configurator now provides factory default racking for our HP hardware portfolio. This approach is aligned with our strategic direction to meet the needs and expectations of our valued customers. If you require "custom" rack configuration, please contact HP's Customer Business Center or an Authorized Partner for assistance. <http://www.hp.com/products/configurator>.

Solutions

Designed for enterprise customers running compute- or I/O intensive database and transaction applications, as well as data centers using virtualization and consolidation to reduce server sprawl, the rack optimized 4-processor HP ProLiant DL585 G5 server delivers maximum performance and high availability for highly complex, business critical applications. Specifically, the HP ProLiant DL585 G5 would be excellent for running the following types of applications:

Typical Usage:

- x86 virtualization and consolidation projects
- Electronic Design Automation (EDA)/Semiconductor
- Financial
- Large database applications
- ERP / CRM
- Petrochemical
- Life Science and Material Science
- Video Rendering

Service and Support

HP Care Pack services provide total care and support expertise with committed response designed to meet your IT and business needs.

HP Care Pack services include coverage for the HP branded hardware options qualified for the server and purchased at the same time or afterward that are internal to the enclosure. This also includes the 22" and smaller external monitors and tower UPS options up to 3kVA. These items will be covered at the same service level and for the same coverage period as the server. Coverage of UPS Battery is not included, and standard warranty terms & conditions apply. For servers or storage systems installed within a rack, service also covers all HP qualified rack options installed within the same rack.

To fully capitalizing on your HP ProLiant servers' capabilities requires a service partner who thoroughly understands your server technology and systems environment. HP Services, an industry leader in provision of multi vender support solutions, provides a range of support services designed to meet the varying needs of your business. Whether an SMB, or large global corporation, HP has a ProLiant server support offer to help you speedily deploy and maximize system uptime.

Recommended Service - simplify ProLiant solution implementation, maintenance, and management.

- **Support:** 3-Year 4-Hour response 24x7 Same Business Day Coverage only
- **Deployment Service:** Installation and Start up only

Enhanced Service - optimize service level to increase IT performance and availability.

- **Support:** 3-Year Support Plus 24 only

Refer to the information on "Installation & Start-Up" for service on ProLiant server and Microsoft or Linux O/S per the Customer Description and/or Data Sheet; to be delivered on a scheduled basis 8am-5pm, M-F, excluding HP holidays.

NOTE: For a complete listing of service offerings and information visit:

<http://www.hp.com/services/proliantservices>

<http://www.hp.com/go/proliant/carepack>

Models

Models

NOTE: For the Standard Features shipped in the "Factory Integrated Models", please see the "Configuration Information - Factory Integrated Models" section.

NOTE: Not all models are available in all regions. Check with your local country HP offices for availability.

Performance Models

<p>DL585R05 O3.1GHz, 8393 SE, 4P, 16GB 534498-xx1</p> <p>DL585R05 O2.9GHz, 8389, 4P, 16GB 534499-xx1</p> <p>DL585R05 O2.8GHz, 8387 SE, 4P, 16GB 534500-xx1</p>	<p>Processors Four of the following depending on model</p> <p>Cache Memory One of the following depending on model</p> <p>Memory One of the following depending on model</p> <p>Network Controller</p> <p>Storage Controller</p> <p>Manageability</p> <p>Hard Drives</p> <p>Internal Storage</p> <p>Optical Drive</p> <p>Power Supply</p> <p>Form Factor</p>	<p>AMD Opteron™ Processor 8393 SE, Quad-Core (3.1 GHz, 105 W ACP)</p> <p>AMD Opteron™ Processor 8389, Quad-Core (2.9 GHz, 75 W ACP)</p> <p>AMD Opteron™ Processor 8387 SE, Quad-Core (2.8 GHz, 75 W ACP)</p> <p>6MB shared L3 cache per processor (Opteron 8380 models and up)</p> <p>2MB shared L3 cache per processor (all others)</p> <p>512KB dedicated level 2 cache per core</p> <p>16 GB (8 x 2 GB) of PC2-6400 DDR SDRAM standard (Opteron 8380 models and up)</p> <p>16 GB (8 x 2 GB) of PC2-5300 DDR SDRAM standard to 256 GB (Opteron 8360 SE- and 8358 SE-equipped models)</p> <p>8 GB (8 x 1 GB) of PC2-5300 DDR SDRAM (standard) to 256 GB (Opteron 8356 SE-equipped models)</p> <p>Two embedded NC371i Multifunction Gigabit Network Adapters</p> <p>HP Smart Array P400/512 MB Controller with BBWC</p> <p>HP Integrated Lights-Out 2 management processor: Integrated on system board</p> <p>None ship standard</p> <p>4.0TB SATA; 4.0TB SAS maximum (with optional hard drives)</p> <p>Slimline DVD/CD-RW Drive (8X/24X) (ejectable)</p> <p>Two 910W/1300W Power Supplies standard</p> <p>Rack 4U</p>
-------------------------------------------------------------------------------------------------------------------------------------------------------------------------------------------------	-------------------------------------------------------------------------------------------------------------------------------------------------------------------------------------------------------------------------------------------------------------------------------------------------------------------------------------------------------------------------------------------------------------------------------------------------------	-------------------------------------------------------------------------------------------------------------------------------------------------------------------------------------------------------------------------------------------------------------------------------------------------------------------------------------------------------------------------------------------------------------------------------------------------------------------------------------------------------------------------------------------------------------------------------------------------------------------------------------------------------------------------------------------------------------------------------------------------------------------------------------------------------------------------------------------------------------------------------------------------------------------------------------------------------------------------------------------------------------------------------------------------------------------------------------------------------------------------

Country Code Key	xx=00	US
	xx=20	Brazil
	xx=29	Japan
	xx=37	A/P
	xx=42	Europe
	xx=AA	PRC

Configuration Information - Factory Integrated Models

NOTE: This section lists some of the steps required to configure a Factory Integrated Model. To ensure only valid configurations are ordered, HP recommends the use of an HP approved configurator. Contact your local sales representative for information on CTO product offerings and requirements.

NOTE: HP does not allow factory integration of options into standard models listed above. Configure-to-order servers must start with a CTO Chassis.

NOTE: FIO indicates that this option only available as a Factory Installable Option.

Step 1: Base Configuration

HP Models	HP ProLiant DL585 G5 Rack CTO Chassis	455349-B21
	Factory Integrated Models ship with:	
	Two embedded NC371i Multifunction Gigabit Network Adapters	
	Integrated Lights-Out 2 (iLO 2) Standard management	
	Six (6) Redundant Hot Plug Fans	
	One Hot Plug Power Supply	
	Rack 4U Form Factor	

Step 2: Choose Required Options (only one of the following from each list unless otherwise noted)

HP Processors	AMD Opteron™ Processor 8393 SE, Quad-Core (3.1 GHz, 105 W ACP) 2P Option Kit, FIO	534505-L21
	NOTE: If four processors are desired, select one 534505-L21 and one 534505-B21.	
	AMD Opteron™ Processor 8389, Quad-Core (2.9 GHz, 75 W ACP) 2P Option Kit, FIO	534506-L21
	NOTE: If four processors are desired, select one 534506-L21 and one 534506-B21.	
	AMD Opteron™ Processor 8387 SE, Quad-Core (2.8 GHz, 75 W ACP) 2P Option Kit, FIO	534507-L21
	NOTE: If four processors are desired, select one 534507-L21 and one 534507-B21.	
	AMD Opteron™ 8381HE Quad-Core Processor (2.5 GHz, 55 W ACP) 2P Option Kit, FIO	534508-L21
	NOTE: If four processors are desired, select one 534508-L21 and one 534508-B21.	
	AMD Opteron™ 8384 Quad-Core Processor (2.7 GHz, 75 W ACP) 2P Option Kit, FIO	502476-L21
	NOTE: If four processors are desired, select one 502476-L21 and one 502476-B21.	
	AMD Opteron™ 8382 Quad-Core Processor (2.6 GHz, 75 W ACP) 2P Option Kit, FIO	502475-L21
	NOTE: If four processors are desired, select one 502475-L21 and one 502475-B21.	
	AMD Opteron™ 8380 Quad-Core Processor (2.5 GHz, 75 W ACP) 2P Option Kit, FIO	502474-L21
	NOTE: If four processors are desired, select one 502474-L21 and one 502474-B21.	
	AMD Opteron™ 8378 Quad-Core Processor (2.4 GHz, 75 W ACP) 2P Option Kit, FIO	502473-L21
	NOTE: If four processors are desired, select one 502473-L21 and one 502473-B21.	
	AMD Opteron™ 8356 Quad-Core Processor (2.3 GHz, 75 W ACP) 2P Option Kit, FIO	448193-L21
	NOTE: If four processors are desired, select one 448193-L21 and one 448193-B21.	

Configuration Information - Factory Integrated Models

HP Memory	HP 2GB (2x1GB) Single Rank PC2-5300 (DDR2-667) Registered Memory Kit	408851-B21
	HP 2GB (2x1GB) Single Rank PC2-6400 (DDR2-800) Registered Memory Kit	497763-B21
	HP 4GB (2x2GB) Dual Rank PC2-5300 (DDR2-667) Registered Memory Kit	408853-B21
	HP 4GB (2x2GB) Single Rank PC2-5300 (DDR2-667) Registered Low Power Memory Kit	483401-B21
	HP 4GB (2x2GB) Single Rank PC2-6400 (DDR2-800) Registered Memory Kit	497765-B21
	HP 8GB (2x4GB) Dual Rank PC2-5300 (DDR2-667) Registered Memory Kit	408854-B21
	HP 8GB (2x4GB) Dual Rank PC2-5300 (DDR2-667) Registered Low Power Memory Kit	483403-B21
	HP 8GB (2x4GB) Dual Rank PC2-6400 (DDR2-800) Registered Memory Kit	497767-B21
	HP 8GB (2x4GB) Dual Rank x4 PC2-6400 (DDR2-800) Registered Low Power Memory Kit	504351-B21
	HP 16GB (2x8GB) Dual Rank PC2-5300 (DDR2-667) Registered Memory Kit	408855-B21
	HP 64GB (8x8GB) Dual Rank PC2-5300 (DDR2-667) Registered Memory Kit	495605-B21

NOTE: Memory must be installed in like-pairs, i.e. two of the same size.

NOTE: 800MHz memory kits are supported on models configured with Opteron 8386 SE, 8384, 8382, 8380, 8378, 8376 HE processors. Memory bus speeds will operate as follows: 2-4 DIMMs at 800MHz; 6 at 667MHz; 8 at 533MHz. PC2-5300 memory modules operate at 667MHz with up to 4 DIMMs and 533MHz when using additional DIMMs.

HP Storage Controllers SAS Controllers

HP Smart Array P800/512 BBWC Controller	381513-B21
HP Smart Array P600/256 BBWC Controller	337972-B21
HP Smart Array P400/256 MB Controller	405132-B21
HP Smart Array P400/512 MB Controller with BBWC	411064-B21
HP Smart Array P212/Zero Memory Controller	462828-B21
HP Smart Array P212/256 MB Controller	462834-B21
HP Smart Array P410/256 MB Controller	462862-B21
HP Smart Array P410/512 MB with BBWC Controller	462864-B21
HP Smart Array P411/256 MB Controller	462830-B21
HP Smart Array P411/512 MB with BBWC Controller	462832-B21

SAS HBA

HP 8 Internal Port SAS HBA with RAID	347786-B21
--------------------------------------	------------

NOTE: Transfer rate 1.5 Gb/s SATA, 3Gb/s SAS.

HP Optical Drives

NOTE: Optical drives are ejectable.

Slimline CD-RW/DVD-ROM 24X Combo Drive Option Kit	331903-B21
Slimline DVD-ROM Drive (8X/24X) Option Kit (Servers)	264007-B21
HP DVD±R/RW 8X Slim	383975-B21

Step 3: Choose Additional Options for Factory Integration

NOTE: For additional options, please refer to the "Core Options" and "Additional Options" section below.

Core Options

NOTE: Some options may not be factory integratable. Please contact your local sales representative for additional information.

HP Processors

Six-Core Processors

AMD Opteron™ 8435 Six-Core Processor (2.6 GHz, 75 W ACP) 2P Option Kit	572373-B21
AMD Opteron™ 8431 Six-Core Processor (2.4 GHz, 75 W ACP) 2P Option Kit	539848-B21

Quad-Core Processors

AMD Opteron™ 8425HE 2.10GHz Six Core 55 Watts DL585 G6 Processor Option Kit	539849-B21
AMD Opteron™ 8439SE 2.80GHz Six Core 105 Watts DL585 G6 Processor Option Kit	539847-B21
AMD Opteron™ 8386 SE Quad-Core Processor (2.8 GHz, 105 W ACP) 2P Option Kit	513602-B21
AMD Opteron™ 8393 Quad-Core Processor (3.1 GHz, 105 W ACP) Option Kit	534505-B21
AMD Opteron™ 8389 Quad-Core Processor (2.9 GHz, 75 W ACP) Option Kit	534506-B21
AMD Opteron™ 8387 Quad-Core Processor (2.8 GHz, 75 W ACP) Option Kit	534507-B21
AMD Opteron™ 8381HE Quad-Core Processor (2.5 GHz, 55 W ACP) Option Kit	534508-B21
AMD Opteron™ 8384 Quad-Core Processor (2.7 GHz, 75 W ACP) 2P Option Kit	502476-B21
AMD Opteron™ 8382 Quad-Core Processor (2.6 GHz, 75 W ACP) 2P Option Kit	502475-B21
AMD Opteron™ 8380 Quad-Core Processor (2.5 GHz, 75 W ACP) 2P Option Kit	502474-B21
AMD Opteron™ 8378 Quad-Core Processor (2.4 GHz, 75 W ACP) 2P Option Kit	502473-B21
AMD Opteron™ 8376 HE Quad-Core Processor (2.3 GHz, 55 W ACP) 2P Option Kit	513603-B21
AMD Opteron™ 8360 SE Quad-Core Processor (2.5 GHz, 105 W ACP) 2P Option Kit	448195-B21
AMD Opteron™ 8358 SE Quad-Core Processor (2.4 GHz, 105 W ACP) 2P Option Kit	448194-B21
AMD Opteron™ 8356 Quad-Core Processor (2.3 GHz, 75 W ACP) 2P Option Kit	448193-B21
AMD Opteron™ 8354 Quad-Core Processor (2.2 GHz, 75 W ACP) 2P Option Kit	448192-B21
AMD Opteron™ 8347 HE Quad-Core Processor (1.9 GHz, 55 W ACP) 2P Option Kit	502652-B21

HP Memory

HP 2GB (2x1GB) Single Rank PC2-5300 (DDR2-667) Registered Memory Kit	408851-B21
HP 2GB (2x1GB) Single Rank PC2-6400 (DDR2-800) Registered Memory Kit	497763-B21
HP 4GB (2x2GB) Dual Rank PC2-5300 (DDR2-667) Registered Memory Kit	408853-B21
HP 4GB (2x2GB) Single Rank PC2-5300 (DDR2-667) Registered Low Power Memory Kit	483401-B21
HP 4GB (2x2GB) Single Rank PC2-6400 (DDR2-800) Registered Memory Kit	497765-B21
HP 8GB (2x4GB) Dual Rank PC2-5300 (DDR2-667) Registered Memory Kit	408854-B21
HP 8GB (2x4GB) Dual Rank PC2-5300 (DDR2-667) Registered Low Power Memory Kit	483403-B21
HP 8GB (2x4GB) Dual Rank PC2-6400 (DDR2-800) Registered Memory Kit	497767-B21
HP 8GB (2x4GB) Dual Rank x4 PC2-6400 (DDR2-800) Registered Low Power Memory Kit	504351-B21
HP 16GB (2x8GB) Dual Rank PC2-5300 (DDR2-667) Registered Memory Kit	408855-B21
HP 64GB (8x8GB) Dual Rank PC2-5300 (DDR2-667) Registered Memory Kit	495605-B21

NOTE: Memory must be installed in like-pairs, i.e. two of the same size.

NOTE: 800MHz memory kits are supported on models configured with Opteron 8386 SE, 8384, 8382, 8380, 8378, 8376 HE processors. Memory bus speeds will operate as follows: 2-4 DIMMs at 800MHz; 6 at 667MHz; 8 at 533MHz. PC2-5300 memory modules operate at 667MHz with up to 4 DIMMs and 533MHz when using additional DIMMs.

HP Optical Drives

Slimline CD-RW/DVD-ROM Combo Drive Option Kit	331903-B21
Slimline DVD-ROM Drive (8X/24X) Option Kit (Servers)	264007-B21
HP DVD±R/RW 8X Slim	383975-B21

Core Options

HP Hard Drives

NOTE: the components of a storage subsystem (e.g. the drive, the HBA/controller, firmware, and the server backplane) should operate at the same data transfer rate or the system bandwidth will be negotiated down to an acceptable level for all components.

NOTE: Hard drives have either a one year or three year warranty; refer to the specific hard drive QuickSpecs for details.

SAS Hot Plug SFF (2.5-inch) Enterprise (ENT) Drives

HP 300GB 6G SAS 10K rpm SFF (2.5-inch) Dual Port Enterprise 3yr Warranty Hard Drive	507127-B21
HP 300GB 3G SAS 10K rpm SFF (2.5-inch) Dual Port Enterprise 3yr Warranty Hard Drive	492620-B21
HP 146GB 6G SAS 15K rpm SFF (2.5-inch) Dual Port Enterprise 3yr Warranty Hard Drive	512547-B21
HP 146GB 3G SAS 15K rpm SFF (2.5-inch) Dual Port Enterprise 3yr Warranty Hard Drive	504062-B21
HP 146GB 6G SAS 10K rpm SFF (2.5-inch) Dual Port Enterprise 3yr Warranty Hard Drive	507125-B21
HP 146GB 3G SAS 10K rpm SFF (2.5-inch) Dual Port Enterprise 3yr Warranty Hard Drive	418367-B21
HP 72GB 6G SAS 15K rpm SFF (2.5-inch) Dual Port Enterprise 3yr Warranty Hard Drive	512545-B21
HP 72GB 3G SAS 15K rpm SFF (2.5-inch) Dual Port Enterprise 3yr Warranty Hard Drive	418371-B21

SAS Hot Plug SFF (2.5-inch) Midline (MDL) Drives

HP 500GB 6G SAS 7.2K rpm SFF (2.5-inch) Dual Port Midline 1yr Warranty Hard Drive	507610-B21
-----------------------------------------------------------------------------------	------------

NOTE: Please see the QuickSpecs for Technical Specifications and additional information:

http://h18000.www1.hp.com/products/quickspecs/12244_div/12244_div.html
(Worldwide)

SATA Hot Plug SFF (2.5-inch) Midline (MDL) Drives

HP 500GB 3G SATA 7.2K rpm SFF (2.5-inch) Midline 1yr Warranty Hard Drive	507750-B21
HP 160GB 3G SATA 7.2K rpm SFF (2.5-inch) Midline 1yr Warranty Hard Drive	530888-B21

SATA Hot Plug SFF (2.5-inch) Entry (ETY) Drives

HP 250GB 3G SATA 5.4K rpm SFF (2.5-inch) Entry 1yr Warranty Hard Drive	460355-B21
HP 120GB 1.5G SATA 5.4K rpm SFF (2.5-inch) Entry 1yr Warranty Hard Drive	458924-B21

NOTE: SATA drives have a 1 year warranty. Please see the QuickSpecs for Technical Specifications and additional information:

http://h18000.www1.hp.com/products/quickspecs/13021_div/13021_div.html
(Worldwide)

SATA Hot Plug Midline (MDL) Solid State Drives

HP 60GB 3G SATA SFF (2.5-inch) Midline 1yr Warranty Solid State Drive	572071-B21
HP 120GB 3G SATA SFF (2.5-inch) Midline 1yr Warranty Solid State Drive	572073-B21

NOTE: Please see the QuickSpecs for Technical Specifications and additional information:

http://h18000.www1.hp.com/products/quickspecs/13415_div/13415_div.html
(Worldwide)

Core Options

HP Networking

Gigabit Ethernet adapters

HP NC110T PCIe Gigabit Server Adapter	434905-B21
HP NC112T PCIe Gigabit Server Adapter	503746-B21
HP NC360T PCI Express Dual Port Gigabit Server Adapter	412648-B21
HP NC364T PCI Express Quad Port Gigabit Server Adapter	435508-B21
NOTE: There is a maximum of five NC364T PCI Express Quad Port Gigabit Server Adapter NICs allowed in this server.	
HP NC373F PCI Express Multifunction Gigabit Server Adapter	394793-B21
HP NC373T PCI Express Multifunction Gigabit Server Adapter	394791-B21
HP NC382T PCI Express Dual Port Multifunction Gigabit Server Adapter	458492-B21

10 Gigabit Ethernet Adapters

NOTE: No more than two 10GbE I/O devices are supported in a single ProLiant server.

NOTE: A minimum of two Gigabytes (2 GB) of server memory is required per each adapter.

NOTE: Direct Attach Cable (DAC) for copper environments or fiber transceivers and cables for fiber-optic environments must be purchased separately.

HP NC522SFP Dual Port 10GbE Server Adapter	468332-B21
--------------------------------------------	------------

NOTE: Please see the QuickSpecs for Technical Specifications and additional information: www.hp.com/go/ProLiantNICs.

HP InfiniBand

HP IB 4X DDR PCI-e Dual Port HCA	409376-B21
----------------------------------	------------

NOTE: Please see the QuickSpecs for additional information: http://h18000.www1.hp.com/products/quickspecs/13078_div/13078_div.html

HP Power Supplies

910W (low line), 1300W (high line) Hot Plug Redundant Power Supply US - includes Nema 5-15P to IEC320-C19 power cord	348114-001
----------------------------------------------------------------------------------------------------------------------	------------

910W (low line), 1300W (high line) Hot Plug Redundant Power Supply - includes C14 to C19 IEC power jumper cable	348114-B21
-----------------------------------------------------------------------------------------------------------------	------------

NOTE: If you require a local power cord, please check the Power Specifications below for the appropriate country-specific power cord, or consult the Power Cord Matrix: <http://www.hp.com/go/powercordmatrix>.

Additional Options

HP Insight Software	HP Insight Control	
	HP Insight Control, Single-Server License including 1 year of 24x7 Technical Support and Updates	452148-B22
	HP Insight Control suite, No Media, Electronic License including 1 year of 24x7 Technical Support and Updates	T9074BAE
	HP Insight Control, Electronic License for bundling with ProLiant ML/DL server, including 1 year of 24x7 Technical Support and Updates	TC278AAE
	HP Insight Control, Tracking License for bundling with ProLiant ML/DL server, including 1 year of 24x7 Technical Support and Updates	TC275A
	HP Insight Software Media Kit	436222-B21
	<p>NOTE: Insight Software DVD media without licenses. Contains HP Systems Insight Manager, HP Insight Control, HP Insight Dynamics, HP Insight Control for Microsoft System Center, and Virtual Connect Enterprise Manager software. Uses an integrated installer to perform quick and accurate software installation and updates.</p> <p>NOTE: Electronic and Flexible-Quantity licenses can be used to purchase multiple licenses with a single activation key.</p> <p>NOTE: Electronic software is available in all countries except China and Japan. Customers in China and Japan should order the physical equivalent.</p> <p>NOTE: Customer will receive a license entitlement certificate. The license entitlement certificate must be redeemed online or via fax in order to obtain the license activation key(s). Includes one year of 24 x 7 HP Software Technical Support and Update Service.</p> <p>NOTE: Licenses ship without media. The HP Insight Control Media Kit can be ordered separately, or can be downloaded at: http://www.hp.com/go/insightupdates.</p> <p>NOTE: For additional license options please see the Insight Control QuickSpecs at: http://h18000.www1.hp.com/products/quickspecs/12631_div/12631_div.html</p>	
	HP Insight Control for Linux	
	HP Insight Control for Linux, 1-server license, including one year of 24x7 Technical Support and Updates, Electronic	TC213AAE
	HP Insight Control for Linux, No Media, 1-Server license, including one year of 24x7 Technical Support and Updates	TC209A
	HP Insight Control for Linux, Media pack (DVD) - No licenses included	TC208A
	<p>NOTE: Media pack DVD contains the ISO image for HP Insight Control for Linux, HP Systems Insight Manager, HP Insight Control power management, HP Insight Control virtual machine management, and an integrated installer. Servers must be acquired separately.</p> <p>NOTE: Licenses ship without media. The Media Kit for Insight Control for Linux can be ordered separately, or can be downloaded at: http://www.hp.com/go/ic-linux (click on Download button).</p> <p>NOTE: Electronic software is available in all countries except China and Japan. Customers in China and Japan should order the physical equivalent.</p> <p>NOTE: Electronic and Flexible-Quantity licenses can be used to purchase multiple licenses with a single set of activation keys.</p> <p>NOTE: For additional License Kits, including electronic licensing options, please see the QuickSpecs at: http://h18000.www1.hp.com/products/quickspecs/13019_div/13019_div.html</p>	
	HP Integrated Lights-Out (iLO) Advanced	
	HP Integrated Lights-Out Advanced, No Media, 1-Server License, including 1 year of 24x7 Technical Support and Updates	512485-B21
	HP ProLiant Essentials Integrated Lights-Out Advanced Pack, Electronic, including 1 year of 24x7 Technical Support and Updates	TA850AAE
	<p>NOTE: This license allows 1 server to be deployed and managed via HP iLO Advanced. Customer will receive a printed license entitlement certificate via physical shipment. The license entitlement certificate must be redeemed online or via fax in order to obtain the license activation key(s). Includes one year of 24 x 7 HP Software Technical Support Service</p> <p>NOTE: Electronic software is available in all countries except China and Japan. Customers in China and Japan should order the physical equivalent.</p> <p>NOTE: For additional license kits, including electronic delivery options, please see the QuickSpecs at: http://h18000.www1.hp.com/products/quickspecs/12362_div/12362_div.html</p>	
	HP Insight Control server deployment	
	HP Insight Control server deployment Electronic License including 1 year 24x7 Technical Support and Updates	T9082AAE
	HP Insight Control server deployment 1-Server License including 1 year 24x7 Technical Support and Updates	452151-B21

Additional Options

NOTE: Licenses ship without media. The Insight Control Media Kit can be ordered separately, or can be downloaded at:

<http://www.hp.com/go/insightupdates>.

NOTE: Electronic licenses can be used to purchase multiple licenses with a single activation key, and is available in all countries except China and Japan. Customers in China and Japan should order the physical equivalent.

NOTE: Customer will receive a license entitlement certificate, which must be redeemed online or via fax in order to obtain the license activation key(s).

Includes one year of 24 x 7 HP Software Technical Support Service.

NOTE: For additional license kits please see the Insight Control QuickSpecs at:

http://h18004.www1.hp.com/products/quickspecs/12631_div/12631_div.html

HP Storage Controllers SAS Controller

Smart Array E500 Controller

HP Smart Array E500/256 MB Controller 435129-B21

Smart Array P400 Controller

HP Smart Array P400/256 MB Controller 405132-B21

NOTE: The Smart Array P400 Controller supports internal Serial Attached SCSI and Serial ATA drives. It is supported in all HP ProLiant DL585 G5 Models.

HP Smart Array P400/512 MB Controller with BBWC 411064-B21

NOTE: The Smart Array P400 Controller supports internal Serial Attached SCSI and Serial ATA drives. It is supported in all HP ProLiant DL585 G5 Models.

Smart Array P600 Controller

HP Smart Array P600/256 BBWC Controller 337972-B21

NOTE: The Smart Array P600 Controller supports internal and external Serial Attached SCSI and Serial ATA drives. It is supported in all HP ProLiant DL585 G5 Models.

Smart Array P800 Controller

HP Smart Array P800/512 BBWC Controller 381513-B21

Smart Array P212 Controller

HP Smart Array P212/Zero Memory Controller 462828-B21

Smart Array P410 Controller

HP Smart Array P410/256 MB Controller 462862-B21

HP Smart Array P410/512 MB with BBWC Controller 462864-B21

HP Smart Array P410/512MB with FBWC 578230-B21

HP Smart Array P410/1G with FBWC 572532-B21

Smart Array P411 Controller

HP Smart Array P411/256 MB Controller 462830-B21

HP Smart Array P411/512 MB with BBWC Controller 462832-B21

HP Smart Array P411/512MB Flash Backed Write Cache 578229-B21

HP Smart Array P411/1G Flash Backed Write Cache 572531-B21

Smart Array P812 Controller

HP Smart Array P812/1G Flash Backed Cache Controller 487204-B21

Optional Upgrades

HP SA-P400 and SA-E500 24 In Battery Cable Kit 417836-B21

NOTE: This option kit contains a 24" battery cable and adhesive material for installing a battery into the server if a Smart Array P400 is integrated outside of the factory or if the BBWC is not pre-installed from the factory. For all solutions, please refer to the server QuickSpecs and User's Manual for detailed installation instructions.

512 MB DDR BBWC Upgrade 405148-B21

NOTE: For Smart Array P400 Controller only.

NOTE: If you install the 512MB DDR BBWC as an upgrade to a Smart Array P400/256MB Controller, you must also order part 417836-B21 (HP SA-P400 and SA-E500 24 In Battery Cable Kit).

Battery-backed write cache upgrade 383280-B21

NOTE: For Smart Array P400 Controller only.

NOTE: If you install the Battery-backed write cache as an upgrade to a Smart Array P400/256MB Controller, you must also order part 417836-B21 (HP SA-P400 and SA-E500 24 In Battery Cable Kit).

512 MB DDR BBWC Upgrade 372538-B21

NOTE: For Smart Array P600 Controller only.

256 MB Cache Module 462968-B21

NOTE: Supported on HP Smart Array P212 Controller only.

Additional Options

512MB BBWC 462967-B21

NOTE: Supported on HP Smart Array P410 Controller and HP Smart Array P411 Controller only.

512MB Flash Backed Write Cache 534916-B21

1G Flash Backed Write Cache 534562-B21

HP Smart Array Advanced Pack No Media 1-Server license including 1yr 24x7 Technical Support 516471-B21

NOTE: This part number can be used to purchase a single license or to order multiple licenses with a single activation key. Customers will receive a license entitlement certificate via e-mail. The license entitlement certificate must be redeemed online or via fax in order to obtain the license activation key(s). Include one year of 24x7 HP Software Technical Support Services.

NOTE: Please see the QuickSpecs for Technical Specifications and additional information:

http://h18000.www1.hp.com/products/quickspecs/12700_div/12700_div.html
(Smart Array E500 Controller)

http://h18000.www1.hp.com/products/quickspecs/12400_div/12400_div.html
(Smart Array P400 Controller)

http://h18000.www1.hp.com/products/quickspecs/12247_div/12247_div.html
(Smart Array P600 Controller)

http://h18000.www1.hp.com/products/quickspecs/12616_div/12616_div.html
(Smart Array P800 Controller)

http://h18000.www1.hp.com/products/quickspecs/13203_div/13203_div.html
(Smart Array P212 Controller)

http://h18000.www1.hp.com/products/quickspecs/13201_div/13201_div.html
(Smart Array P410 Controller)

http://h18000.www1.hp.com/products/quickspecs/13202_div/13202_div.html
(Smart Array P411 Controller)

http://h18000.www1.hp.com/products/quickspecs/13558_div/13558_div.html
(Smart Array P812 Controller)

http://h18000.www1.hp.com/products/quickspecs/13200_div/13200_div.html
(Smart Array Advanced Pack)

SAS HBA

HP SC08Ge Host Bus Adapter 488765-B21

HP SC44Ge Host Bus Adapter 416096-B21

NOTE: When using the SC44Ge with SATA Hard Drives, 1.5G SATA Hard Drives are required. Transfer rate: 1.5 Gb/s SATA, 3 Gb/s SAS.

HP 8 Internal Port SAS HBA with RAID 347786-B21

NOTE: When using the 8 Internal Port SAS HBA with SATA Hard Drives, 1.5G SATA Hard Drives are required. Transfer rate: 1.5 Gb/s SATA, 3 Gb/s SAS.

NOTE: Transfer rate 1.5 Gb/s SATA, 3Gb/s SAS.

NOTE: Please see the QuickSpecs for Technical Specifications and additional information:

http://h18004.www1.hp.com/products/quickspecs/13082_div/13082_div.html
(SC08Ge HBA)

http://h18004.www1.hp.com/products/quickspecs/12617_div/12617_div.html
(SC44Ge HBA)

http://h18004.www1.hp.com/products/quickspecs/12332_div/12332_div.html
(8 Internal Port SAS HBA)

SCSI HBA

HP SC11Xe Host Bus Adapter 412911-B21

NOTE: Recommended HBA for SCSI tape drive connect.

NOTE: Please see the following QuickSpecs for Technical Specifications and additional information:

http://h18000.www1.hp.com/products/quickspecs/12566_div/12566_div.html
(SC11Xe HBA)

HP Power Cords DL585G5 C19-C14 PWRCRD 10FT ALL 313228-B21

Additional Options

HP Tape Backup

NOTE: For the complete range of StorageWorks tape drives, autoloaders, libraries and media see: <http://www.hp.com/go/tape>. For hardware and software compatibility of HP StorageWorks tape backup products see: <http://www.hp.com/go/connect>.

HP StorageWorks DAT 320 USB Tape Drive in 1U USB Rack Kit	AP835A
HP StorageWorks DAT 320 SAS Internal Tape Drive	AJ830A
NOTE: For installation into 1U SAS rack kit (AE459B) or 3U SAS rack kit (AG576B). No peripheral bay available for installation into the server. Connection using the HP SC44Ge SAS Host Bus Adapter (416096-B21) recommended.	
HP StorageWorks LTO-3 Ultrium 920 SAS Internal Tape Drive	EH847A
NOTE: For installation into 1U SAS rack kit (AE459B) or 3U SAS rack kit (AG576B). No peripheral bay available for installation into the server. Connection using the HP SC44Ge SAS Host Bus Adapter (416096-B21) recommended.	
HP StorageWorks LTO-4 Ultrium 1760 Internal Tape Drive	EH919A
NOTE: For installation into 1U SAS rack kit (AE459B) or 3U SAS rack kit (AG576B). No peripheral bay available for installation into the server. Connection using the HP SC44Ge SAS Host Bus Adapter (416096-B21) recommended.	
HP StorageWorks LTO-4 Ultrium 1840 Internal Tape Drive	EH860A
NOTE: For installation into 3U SAS rack kit (AG576B). No peripheral bay available for installation into the server. Connection using the HP SC44Ge SAS Host Bus Adapter (416096-B21) recommended.	
HP StorageWorks LTO-5 Ultrium 3280 Internal Tape Drive	EH899A
NOTE: For installation into 3U SAS rack kit (AG576B). No peripheral bay available for installation into the server. Connection using the HP SC44Ge SAS Host Bus Adapter (416096-B21) recommended.	
HP StorageWorks 1/8 G2 LTO-5 Ultrium 3000 SAS Tape Autoloader	BL536A
NOTE: Requires HP 1U Tape Autoloader Rack Kit (AH166A) for rack installation. Connection using the HP SC44Ge SAS Host Bus Adapter (416096-B21) recommended.	
HP StorageWorks MSL2024 Tape Library with one LTO-5 Ultrium 3000 SAS Drive	BL537A
NOTE: Connection using the HP SC44Ge SAS Host Bus Adapter (416096-B21) recommended.	
HP StorageWorks MSL4048 Tape Library with one LTO-5 Ultrium 3000 SAS Drive	BL538A
NOTE: Connection using the HP SC44Ge SAS Host Bus Adapter (416096-B21) recommended.	
HP StorageWorks MSL8096 Tape Library with one LTO-5 Ultrium 3000 SAS Drive	BL539A
NOTE: Connection using the HP SC44Ge SAS Host Bus Adapter (416096-B21) recommended.	

HP Disk Backup

NOTE: For the complete range of StorageWorks D2D Backup Systems see: <http://www.hp.com/go/d2d>. For the complete range of StorageWorks RDX drives and media see: <http://www.hp.com/go/rdx>. For hardware and software compatibility of HP StorageWorks disk backup products see: <http://www.hp.com/go/connect>.

HP StorageWorks D2D Backup Systems with Backup Data Deduplication

HP StorageWorks D2D2504i Backup System	EJ002B
NOTE: 3.0TB of useable network disk backup capacity. Network connected appliance with connectivity using the iSCSI protocol. If the server requires a hardware iSCSI initiator, the QLogic QLA4050 Host Bus Adapter is recommended.	
HP StorageWorks D2D4009i Backup System	EH939A
NOTE: 7.5TB of useable network disk backup capacity. Network connected appliance with connectivity using the iSCSI protocol. If the server requires a hardware iSCSI initiator, the QLogic QLA4050 Host Bus Adapter is recommended.	
HP StorageWorks D2D4112fc Backup System	EH993B
NOTE: 9.0TB (expandable to 18.0TB) of useable network disk backup capacity. Fibre Channel SAN connected appliance. Direct server attach is not supported, requires connection via SAN fabric.	
HP StorageWorks RDX Removable Disk Backup Systems USB	
HP StorageWorks RDX500 Internal Removable Disk Backup System	AJ934A
NOTE: For installation into 1U USB Rack-Mount Kit (A8007A). No peripheral bay available for drive installation into the server. 500GB of disk capacity per data cartridge.	

Additional Options

HP StorageWorks RDX750 Internal Removable Disk Backup System AW577A
NOTE: For installation into 1U USB Rack-Mount Kit (A8007A). No peripheral bay available for drive installation into the server. 750GB of disk capacity per data cartridge.

HP StorageWorks Options

StorageWorks Fibre Channel HBAs

NOTE: The following is a list of all Fibre Channel Host Bus Adapters for Windows and Linux. For detailed compatibility information please see: <http://h18006.www1.hp.com/storage/saninfrastructure/hba.html>

Brocade Fibre Channel HBAs

HP StorageWorks 81B PCI-e FC HBA Single Port	AP769A
HP StorageWorks 82B PCI-e FC HBA Dual Port	AP770A
HP StorageWorks 41B 4Gb PCI-e FC HBA	AP767A
HP StorageWorks 42B 4Gb Dual-Port PCI-e FC HBA	AP768A

Emulex Fibre Channel HBAs

HP StorageWorks 81E PCI-e FC HBA Single Port	AJ762A
HP StorageWorks 82E PCI-e FC HBA Dual Port	AJ763A
HP StorageWorks FC2142 4Gb PCI-e HBA	A8002A
HP StorageWorks FC2242 Dual Channel 4Gb PCI-e HBA	A8003A

QLogic Fibre Channel HBAs

HP StorageWorks 81Q PCI-e FC HBA Single Port	AK344A
HP StorageWorks 82Q PCI-e FC HBA Dual Port	AJ764A
HP StorageWorks FC1142 4Gb PCI-e HBA	AE311A
HP StorageWorks FC1242 Dual Channel 4Gb PCI-e HBA	AE312A

StorageWorks SCSI HBA

HP U320e SCSI Host Bus Adapter	AH627A
--------------------------------	--------

NOTE: Recommended HBA for MSL SCSI Tape Library connect.

StorageWorks Converged Network Adapter

HP CN1000E 2P Converged Network Adapter	AW520A
-----------------------------------------	--------

HP Modular Smart Array

MSA SAN Storage Arrays

HP StorageWorks 50 Modular Smart Array	364430-B21
----------------------------------------	------------

NOTE: Please see the QuickSpecs for additional options and configuration information at: http://h18000.www1.hp.com/products/quickspecs/12245_div/12245_div.html (Worldwide)

HP StorageWorks 60 Modular Smart Array	418408-B21
----------------------------------------	------------

NOTE: Supports 12 SFF drives, and SAS 3 Gb/s and SATA 1.5 Gb/s.
NOTE: Please see the QuickSpecs for additional options and configuration information at: http://h18000.www1.hp.com/products/quickspecs/12627_div/12627_div.html (Worldwide)

HP StorageWorks 70 Modular Smart Array	418800-B21
----------------------------------------	------------

NOTE: Supports 25 SFF drives, and SAS 3 Gb/s and SATA 1.5 Gb/s.
NOTE: Please see the QuickSpecs for additional options and configuration information at: http://h18000.www1.hp.com/products/quickspecs/12652_div/12652_div.html (Worldwide)

Disk Enclosures

HP StorageWorks D2700 Disk Enclosure	AJ941A
--------------------------------------	--------

NOTE: Please see the QuickSpecs for additional information including configuration steps and additional options needed for a complete solution at: http://h18000.www1.hp.com/products/quickspecs/13404_div/13404_div.html (Worldwide)

Additional Options

HP Uninterruptible Power Systems

HP R1500 G2 UPS

HP, R1.5kVA UPS, 1U, NA	AF419A
HP, R1.5kVA UPS, 1U, INTL	AF418A
HP, R1.5kVA UPS, 1U, JPN/TW	AF421A

NOTE: Please see QuickSpecs for additional information:
http://h18000.www1.hp.com/products/quickspecs/12507_div/12507_div.html
 (Worldwide)

HP R/T3000 Uninterruptible Power System (UPS)

HP R/T3000 UPS, Low voltage NA/JPN	AF452A
HP R/T3000 UPS, High voltage, NA/JPN	AF453A
HP R/T3000 UPS, High voltage, detachable inlet cord INTL	AF454A

NOTE: Please see the QuickSpecs for additional information:
http://h18000.www1.hp.com/products/quickspecs/13417_div/13417_div.html
 (Worldwide)

HP Rack-Mountable R5500 UPS

HP R5500 VA UPS, INTL	AF416A
HP R5500 VA UPS, NA/JPN	AF426A

NOTE: Please see QuickSpecs for additional information:
http://h18000.www1.hp.com/products/quickspecs/11871_div/11871_div.html
 (Worldwide)

NOTE: For additional information on HP Uninterruptible Power Systems please go to: www.hp.com/servers/rackups.

NOTE: For additional information on sizing your server, please reference: <http://www.upssizer.com>.

HP Power Distribution Units

Monitored PDUs

HP Monitored Power Distribution Unit: Full Rack Version

HP 17.3 kVA S2324 Monitored PDU- dual input, 3Ø, 24A (NA/JPN)	AF503A
HP 8.6 kVA S1324 Monitored PDU- single input, 3Ø, 24A (NA/JPN)	AF504A
HP 16.6 kVA S2140 Monitored PDU- dual input, 1Ø, 40A (NA/JPN)	AF505A
HP 8.3 S1140 Monitored PDU- single input, 1Ø, 40A (NA/JPN)	AF506A
HP 22.1 kVA S2316 Monitored PDU- dual input, 3Ø, 16A (INTL)	AF507A
HP 11 kVA S1316 Monitored PDU- single input, 3Ø, 16A (INTL)	AF508A
HP 14.7 kVA S2132 Monitored PDU- dual input, 1Ø, 32A (INTL)	AF509A
HP 7.3 kVA S1132 Monitored PDU- single input, 1Ø, 32A (INTL)	AF510A

HP Monitored Power Distribution Unit: Half Rack Version

HP 17.3 kVA S348 Monitored PDU- single input, 3Ø, 48A (NA/JPN)	AF916A
HP 22 kVA S332 Monitored PDU - single input, 3-phase, 32A (INTL)	AF917A
HP 4.9 kVA S124 Monitored PDU- single input, 1Ø, 24A (NA/JPN)	AF914A
HP 7.3 kVA S132 Monitored PDU- single input, 1Ø, 32A (INTL)	AF915A

Modular Power Distribution Units 1U/0U (Up to 32 outlets)

NOTE: 1U/0U mounting brackets shipped with the unit (optimized for 10000 G2 and 9000 series racks).

2.8 kVA Modular PDU, 24A (NA/JPN)	252663-D71
4.9 kVA Modular PDU, 24A (NP/JPN)	252663-D72
7.3 kVA Modular PDU, 32A (INLT)	252663-B31
8.3 kVA Modular PDU, 40A (NA/JPN)	252663-B21
3.6 kVA Modular PDU, 16A (NP/JPN)	252663-B24

NOTE: This mPDU (252663-B21), 40A model has a hardwired input.
NOTE: For additional information on HP Power Distribution Units including accessories please go to: www.hp.com/go/pdu

Additional Options

HP Rack Series	HP Rack 10000 G2 Series (Carbon/Graphite Metallic)	
	10642 G2 (42U) Rack Cabinet - Pallet	AF001A
	10642 G2 (42U) Rack Cabinet - Shock Pallet	AF002A
	NOTE: It is mandatory to use a shock pallet when shipping racks with equipment installed.	
	NOTE: Please see the QuickSpecs for Technical Specifications such as height, width, depth, weight, and color:	
	http://h18000.www1.hp.com/products/quickspecs/12402_div/12402_div.html (Worldwide)	
	NOTE: For additional information regarding Rack Cabinets, please see the following URL: http://www.hp.com/go/rackandpower .	

HP Rack Options	Keyboards and Monitors	
	TFT7600 Rackmount Keyboard Monitor US	AG052A
	TFT7600 Rackmount Keyboard Monitor UK	AG053A
	TFT7600 Rackmount Keyboard Monitor GR	AG054A
	TFT7600 Rackmount Keyboard Monitor FR	AG055A
	TFT7600 Rackmount Keyboard Monitor IT	AG056A
	TFT7600 Rackmount Keyboard Monitor SP	AG057A
	TFT7600 Rackmount Keyboard Monitor DEN	AG058A
	TFT7600 Rackmount Keyboard Monitor NOR	AG059A
	TFT7600 Rackmount Keyboard Monitor SE/FI	AG060A
	TFT7600 Rackmount Keyboard Monitor SWI	AG061A
	TFT7600 Rackmount Keyboard Monitor PORT	AG062A
	TFT7600 Rackmount Keyboard Monitor BEL	AG063A
	TFT7600 Rackmount Keyboard Monitor JPN2	AG064A
	TFT7600 Rackmount Keyboard Monitor RUS	AG065A
	TFT7600 Rackmount Keyboard Monitor INTL	AG066A
	HP TAA TFT7600 US Rkmntkybd 17in Monitor	AG067A
	1U Rackmount Keyboard with USB, US	AG072A
	1U Rackmount Keyboard with USB, UK	AG073A
	1U Rackmount Keyboard with USB, GR	AG074A
	1U Rackmount Keyboard with USB, FR	AG075A
	HP Server Console Switches	
	HP Server console switch 0x2x8	AF616A
	HP Server console switch 0x2x16	AF617A
	NOTE: Please see the QuickSpecs for Technical Specifications and additional information:	
	http://h18000.www1.hp.com/products/quickspecs/11834_div/11834_div.html (Worldwide)	
	HP Server Console Switch G2 with Virtual Media & CAC	
	0x2x16 KVM Server Console G2 Switch with Virtual Media and CAC	AF618A
	0x2x32 KVM Server Console G2 Switch with Virtual Media and CAC	AF619A
	NOTE: Please see the QuickSpecs for Technical Specifications and additional information:	
	http://h18000.www1.hp.com/products/quickspecs/13475_div/13475_div.html (Worldwide)	
	HP IP Console Switch G2 with Virtual Media & CAC	
	1x1Ex8 KVM IP Console Switch G2 with Virtual Media and CAC	AF620A
	2x1Ex16 KVM IP Console Switch G2 with Virtual Media and CAC	AF621A
	4x1Ex32 KVM IP Console Switch G2 with Virtual Media and CAC	AF622A
	NOTE: Please see the QuickSpecs for Technical Specifications and additional information:	
	http://h18000.www1.hp.com/products/quickspecs/13474_div/13474_div.html (Worldwide)	
	NOTE: For additional information regarding Rack Options, please see the following URL: http://www.hp.com/go/rackandpower .	
	HP 1x4 Server Switch	AF611A
	PS2 Server Console Cable, 6 ft, 2 pack	AF612A
	USB Server Console Cable, 6 ft, 2 pack	AF613A

Additional Options

NOTE: For additional information regarding KVM switches, Serial Console servers, rack mount monitors, keyboards and all related options please see the following URL: <http://www.hp.com/go/kvm>.

HP USB and SD Options	HP USB 2-Button Optical Scroll Mouse (Carbonite/Silver)	DC172B
	HP USB 04 Standard Keyboard	DT528A#ABA
	HP 2GB USB Flash Media Drive Key Kit	608447-B21
<p>NOTE: HP qualified blank USB key for use with HP ProLiant servers that support the VMware virtualization environment and other HP value-add software like SmartStart. HP recommends this industry standard USB flash device for use with VMware ESXi. USB device must be installed in the internal slot of the ProLiant server for use with VMware ESXi. Refer to HP VMware Getting Started Guide for installation instructions.</p>		

HP Care Pack Services Hardware Services On-site Service

4-Hour On-site Service, 5-Day x 13-Hour Coverage, 3 Years, Electronic	U4607E
4-Hour On-site Service, 7-Day x 24-Hour Coverage, 3 Years, Electronic	U4608E

Hardware Services 6-Hour Call to Repair On-site Service

6-Hour Call to Repair, On-site Service, 7-Day x 24-Hour Coverage, 3 Years, Electronic	U4609E
---------------------------------------------------------------------------------------	--------

Installation & Start-up Services

Hardware Installation, Electronic	U4617E
Installation & Start-Up of a ProLiant server and Microsoft or Linux O/S per the Customer Description and/or Data Sheet. To be delivered on a scheduled basis 8am-5pm, M-F, excl. HP holidays, Electronic	U4618E

Support Plus

Onsite HW support, 8am-9pm, M-F, 4hr response and Microsoft O/S SW Tech support offsite, onsite at HP's discretion, 8am-9pm, M-F 2hr response time excl. HP holidays, Electronic	U4619E
----------------------------------------------------------------------------------------------------------------------------------------------------------------------------------	--------

Support Plus 24

Onsite HW support 24x7, 4hr response and Microsoft O/S SW Tech support offsite, onsite at HP's discretion, 24x7 2hr response time incl. HP holidays, Electronic	U4620E
Onsite HW support 24x7, 4hr response and SuSE Linux SW Tech support offsite, onsite at HP's discretion, 24x7 2hr response time incl. HP holidays, Electronic	U6316E

NOTE: For more information, customer/resellers can contact: <http://www.hp.com/services/carepack>.

Memory

NOTE: Standard memory configurations listed do not apply to "Factory Integrated Models."

HP ProLiant DL585 G5 Models

Standard Memory (One of the following, depending on Model)

- 16 GB PC2-5300 DDR2 SDRAM memory running at 667 MHz
- 16 GB PC2-6400 DDR2 SDRAM memory running at 800 MHz
- 8 GB PC2-5300 DDR2 SDRAM memory running at 667 MHz
- 8 GB PC2-6400 DDR2 SDRAM memory running at 800 MHz
- 4 GB PC2-5300 DDR2 SDRAM memory running at 667 MHz

- DIMMs must be installed in pairs.
- DIMM installed on the same memory bank must have the same part number.
- DIMMs installed in different banks can be of different sizes.
- DIMMs must be installed in decreasing capacity with the largest DIMMs installed in the banks furthest away from each processor.
- DIMM banks are active only when the corresponding processor socket is populated.

NOTE: Memory must be installed in like-pairs, i.e. two of the same size.

NOTE: 800MHz memory kits are supported on models configured with Opteron 8386 SE , 8384, 8382, 8380, 8378, 8376 HE processors. Memory bus speeds will operate as follows: 2-4 DIMMs at 800MHz; 6 at 667MHz; 8 at 533MHz. PC2-5300 memory modules operate at 667MHz with up to 4 DIMMs and 533MHz when using additional DIMMs.

Standard Memory Configuration (2.2GHz model)

Total Memory = 4 GB

	1 (Slot furthest from processor)	2	3	4	5	6	7	8 (Slot closest to processor)
Processor 1 Memory Bus	1 GB	1 GB	Empty	Empty	Empty	Empty	Empty	Empty
Processor 2 Memory Bus	1 GB	1 GB	Empty	Empty	Empty	Empty	Empty	Empty
Processor 3 Memory Bus	Empty	Empty	Empty	Empty	Empty	Empty	Empty	Empty
Processor 4 Memory Bus	Empty	Empty	Empty	Empty	Empty	Empty	Empty	Empty

Standard Memory Configuration (2.3GHz model)

Total Memory = 8 GB

	1 (Slot furthest from processor)	2	3	4	5	6	7	8 (Slot closest to processor)
Processor 1 Memory Bus	1 GB	1 GB	Empty	Empty	Empty	Empty	Empty	Empty
Processor 2 Memory Bus	1 GB	1 GB	Empty	Empty	Empty	Empty	Empty	Empty
Processor 3 Memory Bus	1 GB	1 GB	Empty	Empty	Empty	Empty	Empty	Empty
Processor 4 Memory Bus	1 GB	1 GB	Empty	Empty	Empty	Empty	Empty	Empty

Standard Memory Configuration (2.4GHz and 2.5GHz models)

Total Memory = 16 GB

	1 (Slot furthest from processor)	2	3	4	5	6	7	8 (Slot closest to processor)
Processor 1 Memory Bus	2 GB	2 GB	Empty	Empty	Empty	Empty	Empty	Empty
Processor 2 Memory Bus	2 GB	2 GB	Empty	Empty	Empty	Empty	Empty	Empty
Processor 3 Memory Bus	2 GB	2 GB	Empty	Empty	Empty	Empty	Empty	Empty
Processor 4 Memory Bus	2 GB	2 GB	Empty	Empty	Empty	Empty	Empty	Empty

Memory

Examples of other optional configurations include, but are not limited to:

Example #1: Optional Memory Configuration with DIMM mixing Standard Memory plus Optional Memory and Processors Total Memory = 34 GB								
	1	2	3	4	5	6	7	8
Processor 1 Memory Bus	2 GB	2 GB	1 GB	1 GB	512 MB	512 MB	512 MB	512 MB
Processor 2 Memory Bus	2 GB	2 GB	1 GB	1 GB	512 MB	512 MB	512 MB	512 MB
Processor 3 Memory Bus	2 GB	2 GB	2 GB	2 GB	1 GB	1 GB	512 MB	512 MB
Processor 4 Memory Bus	1 GB	1 GB	1 GB	1 GB	1 GB	1 GB	512 MB	512 MB

Example #2: Optional Memory Configuration with Partial Bus Population Standard Memory plus Optional Memory and Processors Total Memory = 8 GB								
	1	2	3	4	5	6	7	8
Processor 1 Memory Bus	512 MB	512 MB	512 MB	512 MB	Empty	Empty	Empty	Empty
Processor 2 Memory Bus	512 MB	512 MB	512 MB	512 MB	Empty	Empty	Empty	Empty
Processor 3 Memory Bus	512 MB	512 MB	512 MB	512 MB	Empty	Empty	Empty	Empty
Processor 4 Memory Bus	512 MB	512 MB	512 MB	512 MB	Empty	Empty	Empty	Empty

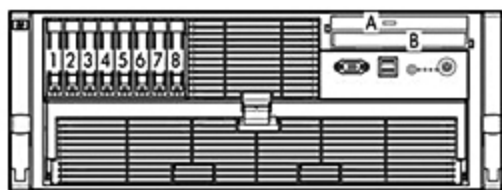
Example #3: Maximum Memory Configuration Maximum Memory (Standard replaced with Optional Memory) Total Memory = 256 GB								
	1	2	3	4	5	6	7	8
Processor 1 Memory Bus	8 GB	8 GB	8 GB	8 GB	8 GB	8 GB	8 GB	8 GB
Processor 2 Memory Bus	8 GB	8 GB	8 GB	8 GB	8 GB	8 GB	8 GB	8 GB
Processor 3 Memory Bus	8 GB	8 GB	8 GB	8 GB	8 GB	8 GB	8 GB	8 GB
Processor 4 Memory Bus	8 GB	8 GB	8 GB	8 GB	8 GB	8 GB	8 GB	8 GB

The following memory options are available from HP:

HP Memory	HP 2GB (2x1GB) Single Rank PC2-5300 (DDR2-667) Registered Memory Kit	408851-B21
	HP 2GB (2x1GB) Single Rank PC2-6400 (DDR2-800) Registered Memory Kit	497763-B21
	HP 4GB (2x2GB) Dual Rank PC2-5300 (DDR2-667) Registered Memory Kit	408853-B21
	HP 4GB (2x2GB) Single Rank PC2-5300 (DDR2-667) Registered Low Power Memory Kit	483401-B21
	HP 4GB (2x2GB) Single Rank PC2-6400 (DDR2-800) Registered Memory Kit	497765-B21
	HP 8GB (2x4GB) Dual Rank PC2-5300 (DDR2-667) Registered Memory Kit	408854-B21
	HP 8GB (2x4GB) Dual Rank PC2-5300 (DDR2-667) Registered Low Power Memory Kit	483403-B21
	HP 8GB (2x4GB) Dual Rank PC2-6400 (DDR2-800) Registered Memory Kit	497767-B21
	HP 8GB (2x4GB) Dual Rank x4 PC2-6400 (DDR2-800) Registered Low Power Memory Kit	504351-B21
	HP 16GB (2x8GB) Dual Rank PC2-5300 (DDR2-667) Registered Memory Kit	408855-B21
	HP 64GB (8x8GB) Dual Rank PC2-5300 (DDR2-667) Registered Memory Kit	495605-B21

NOTE: Memory must be installed in like-pairs, i.e. two of the same size.
NOTE: 800MHz memory kits are supported on models configured with Opteron 8386 SE, 8384, 8382, 8380, 8378, 8376 HE processors. Memory bus speeds will operate as follows: 2-4 DIMMs at 800MHz; 6 at 667MHz; 8 at 533MHz. PC2-5300 memory modules operate at 667MHz with up to 4 DIMMs and 533MHz when using additional DIMMs.

Storage



- A Ejectable: Slimline Diskette or Optical Drive (Optional)
- B Ejectable: Slimline Optical Drive (DVD/CD-RW Standard)
- 1-8 SFF SAS Internal Drive cage

Drive Support

	Quantity Supported	Position Supported	Controller
Ejectable Slimline Drives			
1.44-MB slimline Diskette Drive	Up to 1	A or B Based on Boot Device Selector Switch	Integrated
IDE Slimline DVD-ROM Drive (8X/24X)	Up to 2	A or B	Integrated IDE
IDE Slimline CD-RW/DVD-ROM Combo Drive	Up to 2	A or B	Integrated IDE
IDE DVD±R/RW 8X Drive	Up to 2	A or B	Integrated IDE

Hard Drives

NOTE: The components of a storage subsystem (e.g. the drive, the HBA/controller, firmware, and the server backplane) should operate at the same data transfer rate or the system bandwidth will be negotiated down to an acceptable level for all components.

NOTE: Hard drives have either a one year or three year warranty; refer to the specific hard drive QuickSpecs for details.

SAS Hot Plug SFF (2.5-inch) Enterprise (ENT) Drives

	Quantity Supported	Position Supported	Controller
300GB 6G SAS 10K DP	Up to 8	1-8	HP SC44Ge Host Bus Adapter
300GB 3G SAS 10K DP			NOTE: When using the SC44Ge with SATA Hard Drives, 1.5G SATA Hard Drives are required. Transfer rate: 1.5 Gb/s SATA, 3 Gb/s SAS.
146GB 6G SAS 15K DP			HP 8 Internal Port SAS HBA with RAID
146GB 6G SAS 10K DP			NOTE: Transfer rate 1.5 Gb/s SATA, 3Gb/s SAS.
146GB 3G SAS 15K DP			HP Smart Array E500/256MB Controller
146GB 3G SAS 10K DP			HP Smart Array P400/256MB Controller
72GB 6G SAS 15K DP			HP Smart Array P400/512MB BBWC Controller
72GB 3G SAS 15K DP			HP Smart Array P600/256 BBWC Controller
			HP Smart Array P800/512 BBWC Controller
			HP Smart Array P212/Zero Memory Controller
			HP Smart Array P212/ 256 MB Controller
			HP Smart Array P410/256 MB Controller
			HP Smart Array P410/512 MB BBWC Controller
			HP Smart Array P411/256 MB Controller
			HP Smart Array P411/512 MB BBWC Controller

SAS Hot Plug SFF (2.5-inch) Midline (MDL) Drives

	Quantity Supported	Position Supported	Controller
500GB 6G SAS 7.2K DP	Up to 8	1-8	HP SC44Ge Host Bus Adapter
			NOTE: When using the SC44Ge with SATA Hard Drives, 1.5G SATA Hard Drives are required. Transfer rate: 1.5 Gb/s SATA, 3 Gb/s SAS.
			HP 8 Internal Port SAS HBA with RAID
			NOTE: Transfer rate 1.5 Gb/s SATA, 3Gb/s SAS.
			HP Smart Array E500/256MB Controller
			HP Smart Array P400/256MB Controller
			HP Smart Array P400/512MB BBWC Controller
			HP Smart Array P600/256 BBWC Controller
			HP Smart Array P800/512 BBWC Controller
			HP Smart Array P212/Zero Memory Controller

Storage

HP Smart Array P212/ 256 MB Controller
 HP Smart Array P410/256 MB Controller
 HP Smart Array P410/512 MB BBWC Controller
 HP Smart Array P411/256 MB Controller
 HP Smart Array P411/512 MB BBWC Controller

SATA Hot Plug SFF (2.5-inch) Midline (MDL) Drives

	Quantity Supported	Position Supported	Controller
500GB 3G SATA 7.2K	Up to 8	1-8	HP Smart Array E500/256MB Controller
160GB 3G SATA 7.2K			HP Smart Array P400/256MB Controller
			HP Smart Array P400/512MB BBWC Controller
			HP Smart Array P600/256 BBWC Controller
			HP Smart Array P800/512 BBWC Controller
			HP Smart Array P212/Zero Memory Controller
			HP Smart Array P212/ 256 MB Controller
			HP Smart Array P410/256 MB Controller
			HP Smart Array P410/512 MB BBWC Controller
			HP Smart Array P411/256 MB Controller
			HP Smart Array P411/512 MB BBWC Controller

SATA Hot Plug LFF (3.5-inch) Entry (ETY) Drives

	Quantity Supported	Position Supported	Controller
250GB 3G SATA 5.4K	Up to 8	1-8	HP SC44Ge Host Bus Adapter
120 GB 1.5G SATA 5.4K			<p>NOTE: When using the SC44Ge with SATA Hard Drives, 1.5G SATA Hard Drives are required. Transfer rate: 1.5 Gb/s SATA, 3 Gb/s SAS.</p> <p>HP 8 Internal Port SAS HBA with RAID</p> <p>NOTE: When using the 8 Internal Port SAS HBA with SATA Hard Drives, 1.5G SATA Hard Drives are required.</p> <p>NOTE: Transfer rate 1.5 Gb/s SATA, 3Gb/s SAS.</p>
			HP Smart Array E500/256MB Controller
			HP Smart Array P400/256MB Controller
			HP Smart Array P400/512MB BBWC Controller
			HP Smart Array P600/256 BBWC Controller
			HP Smart Array P800/512 BBWC Controller
			HP Smart Array P212/Zero Memory Controller
			HP Smart Array P212/ 256 MB Controller
			HP Smart Array P410/256 MB Controller
			HP Smart Array P410/512 MB BBWC Controller
			HP Smart Array P411/256 MB Controller
			HP Smart Array P411/512 MB BBWC Controller

SATA Hot Plug Midline (MDL) Solid State Drives

	Quantity Supported	Position Supported	Controller
60GB 3.0G SATA SSD	Up to 8	1-8	HP Smart Array P212/Zero Memory Controller
120GB 3.0G SATA SSD			HP Smart Array P212/ 256 MB Controller
			HP Smart Array P410/256 MB Controller
			HP Smart Array P410/512 MB BBWC Controller
			HP Smart Array P411/256 MB Controller
			HP Smart Array P411/512 MB BBWC Controller

Storage

External Storage

	Quantity Supported	Position Supported	Host Controller or Adapter
50 Modular Smart Array	Up to 2	External	HP Smart Array P600/256 BBWC Controller
	Up to 4		HP Smart Array E500/256MB Controller
			HP Smart Array P800/512 BBWC Controller
60 Modular Smart Array	Up to 4	External	HP Smart Array E500/256MB Controller
			HP Smart Array P212/Zero Memory Controller
			HP Smart Array P212/ 256 MB Controller
	Up to 8	HP Smart Array P600/256 BBWC Controller	
		HP Smart Array P800/512 BBWC Controller	
		HP Smart Array P411/256 MB Controller	
70 Modular Smart Array	Up to 2	External	HP Smart Array P600/256 BBWC Controller
			HP Smart Array P212/Zero Memory Controller
			HP Smart Array P212/ 256 MB Controller
	Up to 4	HP Smart Array E500/256MB Controller	
		HP Smart Array P800/512 BBWC Controller	
		HP Smart Array P411/256 MB Controller	
			HP Smart Array P411/512 MB BBWC Controller

Maximum Storage Capacity - (External Enclosures Attached)

Internal	4.0TB (8 x 500GB SFF SAS ENT drives)
External	1120 TB (56 MSA60 enclosures @ 20 drives per enclosure x 1 TB SATA/SAS MDL Drives)
Total	1122.4 TB

Tape and Disk Backup

NOTE: For the complete range of StorageWorks tape drives, autoloaders, libraries and media, including the internal fitting models, see: <http://www.hp.com/go/tape>. For the complete range of StorageWorks D2D Backup Systems see: <http://www.hp.com/go/d2d>. For the complete range of StorageWorks RDX drives and media see: <http://www.hp.com/go/rdx>. For hardware and software compatibility of HP StorageWorks disk and tape backup products see: <http://www.hp.com/go/connect>.

	Position Supported	Controller	Controller Part Number
HP StorageWorks SCSI Tape Drives LTO-1 Ultrium 232 LTO-2 Ultrium 448 LTO-3 Ultrium 920 LTO-3 Ultrium 960 LTO4 Ultrium 1760 LTO-4 Ultrium 1840 DAT 40 DAT 72 DAT 160 1U Rack-Mount Kit 3U Rack-Mount Kit	External	HP SC11Xe Host Bus Adapter	412911-B21
		NOTE: Please check the full compatibility information at: http://www.hp.com/go/connect	
HP StorageWorks USB Tape Drives DAT 40 DAT 72 DAT 160 DAT 320 1U USB Rack-Mount Kit	External	USB 2.0 Port	N/A
HP StorageWorks SAS Tape Drives DAT 160 DAT 320 LTO-2 Ultrium 448 LTO-3 Ultrium 920 LTO-4 Ultrium 1760 LTO-4 Ultrium 1840 LTO-5 Ultrium 3000 LTO-5 Ultrium 3280 1U Rack-Mount Kit	External	HP SC44Ge Host Bus Adapter	416096-B21
		NOTE: Please check the full compatibility information at: http://www.hp.com/go/connect	

Storage

3U Rack-Mount Kit

<p>HP StorageWorks SCSI Tape Autoloaders DAT 72x10 Autoloader 1/8 G2 Autoloader</p>	<p>External</p>	<p>HP SC11Xe Host Bus Adapter</p> <p>NOTE: Please check the full compatibility information at: http://www.hp.com/go/connect</p>	<p>412911-B21</p>
<p>HP StorageWorks SCSI Tape Libraries MSL2024 MSL4048 MSL8096 MSL6000</p>	<p>External</p>	<p>HP U320e SCSI Dual Channel Controller</p> <p>NOTE: Please check the full compatibility information at: http://www.hp.com/go/connect</p>	<p>AH627A</p>
<p>HP StorageWorks SAS Tape Autoloaders and Libraries 1/8 G2 Autoloader MSL2024 MSL4048 MSL8096</p>	<p>External</p>	<p>HP SC44Ge Host Bus Adapter</p> <p>NOTE: Please check the full compatibility information at: http://www.hp.com/go/connect</p>	<p>416096-B21</p>
<p>HP StorageWorks Fibre Channel Tape Libraries MSL2024 MSL4048 MSL8096 MSL6000</p>	<p>External</p>	<p>Please consult the EBS connectivity matrix at: http://www.hp.com/go/ebs for connectivity information and the supported Fibre Channel HBAs shown in this QuickSpecs.</p>	<p>N/A</p>
<p>HP StorageWorks USB RDX Removable Disk Backup System RDX160 RDX320 RDX500 RDX750</p>	<p>External</p>	<p>USB 2.0 Port</p>	<p>N/A</p>
<p>HP StorageWorks D2D Backup Systems, iSCSI D2D2500i D2D4000i</p>	<p>External</p>	<p>Embedded Network Controller. If the server requires a hardware iSCSI initiator, the QLogic QLA4050 Host Bus Adapter is recommended.</p>	<p>N/A</p>
<p>HP StorageWorks D2D Backup Systems, Fibre Channel D2D4000fc</p>	<p>External</p>	<p>Direct server attach is not supported, requires connection via SAN fabric. See: http://www.hp.com/go/connect</p>	<p>N/A</p>

Power Specifications

Part number 348114-001
Operational Input Voltage Range (Vrms) 90 to 264
Frequency Range (Nominal) (Hz) 47 to 63 (50/60)

Nominal Input Voltage (Vrms)	100	115	208	220	230	240
Max Rated Output Wattage Rating	910	910	1300	1300	1300	1300
Nominal Input Current (A rms)	11.9	10.2	7.7	7.3	6.9	6.6
Max Rated Input Wattage Rating (Watts)	1163	1148	1566	1566	1548	1548
Max. Rated VA (Volt-Amp)	1186	1172	1598	1598	1579	1579
Efficiency (%)	80	81	83	83	84	84
Power Factor	0.98		0.98			
Leakage Current (mA)	0.43	0.50	0.90	0.96	1.00	1.04
Max. Inrush Current (A peak)	100	100	100	100	100	100
Max. Inrush Current duration (mS)	10					

NOTE: To review typical system power ratings use the HP Power Advisor which is available online located at url: www.hp.com/go/proliant-energy-efficient or www.hp.com/go/hppoweradvisor

- Click on: "ProLiant Servers"
- Click on the Server of interest. Example: DL585 G5
- Click on: "Power Calculator" link. (You may need to scroll down to see it)
- There are certain Dual-core, lowline, max configurations that are not supported. All highline configurations are supported. Consult the Power Calculator to determine if your lowline configuration is supported.

Standard Rack Model Power Cords / Jumper Cords	Description
Asia Pacific	IEC320-C14 to IEC320-C19 Jumper Cord
Europe	IEC320-C14 to IEC320-C19 Jumper Cord
Japan	JIS C8303 to IEC320-C19 IEC320-C14 to IEC320-C19 Jumper Cord
PRC	IEC320-C14 to IEC320-C19 Jumper Cord
USA	IEC320-C14 to IEC320-C19 Jumper Cord

Optional Country Power Cords and Jumper Cords	Description	Option Kit Part Number
Australia/New Zealand	AS/NZS 3112 to IEC320-C19	305340-011
Denmark/Switzerland	IEC320-C19, Industrial	305340-081
Europe	CEE 7 to IEC320-C19	305340-021
Italy	IEC320-C19, Italy	305340-061
South Africa/India	IEC320-C19, SA	305340-AR1
UK	BS1363 to IEC320-C19	305340-031
US	Nema 5-15P to IEC320-C19	235603-001
US	Nema 6-20P to IEC320-C19	235604-001
WW	IEC320-C19 to IEC320-C14 Jumper (10A, IEC, 6 ft/2.0m)	313227-B21
WW	IEC320-C19 to IEC320-C14 Jumper (10A, IEC, 8 ft/2.5m)	291034-B21
WW	IEC320-C19 to IEC320-C14 Jumper (10A, IEC, 10 ft/3.0m)	310927-B21
WW	IEC320-C19 to IEC320-C14 Jumper (10A, IEC, 12ft/3.7m)	313228-B21
WW	IEC320-C19 to IEC320-C20 Jumper (16A, IEC, 8ft/2.5m)	295633-B22

Technical Specifications

System Unit	Dimensions (H x W x D) 6.94 x 19 x 26.5 in (17.6 x 48.3 x 67.3 cm) (with bezel)							
	Weight (approximate)							
	<table border="0"> <tr> <td style="padding-right: 20px;">Maximum</td> <td>95 lb (43 kg)</td> </tr> <tr> <td colspan="2">(all hard drives, power supplies, and processors installed)</td> </tr> <tr> <td style="padding-right: 20px;">Minimum</td> <td>79 lb (36 kg)</td> </tr> <tr> <td colspan="2">(one hard drive, power supply, and processor installed)</td> </tr> </table>	Maximum	95 lb (43 kg)	(all hard drives, power supplies, and processors installed)		Minimum	79 lb (36 kg)	(one hard drive, power supply, and processor installed)
Maximum	95 lb (43 kg)							
(all hard drives, power supplies, and processors installed)								
Minimum	79 lb (36 kg)							
(one hard drive, power supply, and processor installed)								
	Input Requirements (per power supply)							
	Rated Line Voltage	90 - 132 VAC, 180 - 264 VAC						
	Rated Input Current	12 A (at 100 VAC), 8 A (at 200 VAC)						
	Rated Input Frequency	47 to 63 Hz						
	Rated Input Power	1161 W (at 100 VAC), 1598 W (at 200 VAC)						
	BTU Rating	Maximum 3985 BTU/hr (at 100 VAC), 5457 BTU/hr (at 200 VAC)						
	Power Specifications							
	<p>NOTE: To review typical system power ratings use the HP Power Advisor which is available online located at url: www.hp.com/go/proliant-energy-efficient or www.hp.com/go/hppoweradvisor</p> <ul style="list-style-type: none"> ● Click on the system of interest. Example: DL585 G5 ● Follow the instructions of the next screens 							
	Power Supply Output (per power supply)							
	Rated Steady-State Power	910 W (at 100 VAC), 1300 W (at 200 VAC)						
	Maximum Peak Power	960 W (at 100 VAC), 1420 W (at 200 VAC)						
	System Inlet Temperature							
	Operating	10° to 35°C (50° to 95°F) at sea level with an altitude derating of 1.0°C per every 305 m (1.8°F per every 1000 ft) above sea level to a maximum of 3050 m (10,000 ft), no direct sustained sunlight. Maximum rate of change is 10°C/hr (18°F/hr). The upper limit may be limited by the type and number of options installed. System performance may be reduced if operating with a fan fault or above 30°C (86°F).						
	Non-operating	-30° to 60°C (-22° to 140°F). Maximum rate of change is 20°C/hr (36°F/hr).						
	Relative Humidity (non-condensing)							
	Operating	10 to 90% relative humidity (Rh), 28°C (82.4°F) maximum wet bulb temperature, non-condensing.						
	Non-operating	5 to 95% relative humidity (Rh), 38.7°C (101.7°F) maximum wet bulb temperature, non-condensing.						
	Altitude							
	Operating	3050 m (10,000 ft). This value may be limited by the type and number of options installed. Maximum allowable altitude change rate is 457 m/min (1500 ft/min).						
	Non-operating	9144 m (30,000 ft). Maximum allowable altitude change rate is 457 m/min (1500 ft/min).						
	Acoustic Noise							
	Listed are the declared A-Weighted sound power levels (LWAd) and declared average bystander position A-Weighted sound pressure levels (LpAm) when the product is operating in a 23°C ambient environment. Noise emissions were measured in accordance with ISO 7779 (ECMA 74) and declared in accordance with ISO 9296 (ECMA 109).							
	Idle							
	L WAd	7.7 B						
	L pAm	58 dBA						
	Operating							
	L WAd	7.7 B						
	L pAm	58 dBA						
Emissions	FCC Rating	Class A						

Technical Specifications

Classification (EMC)	Normative Standards	CISPR 22; EN55022; EN55024; FCC CFR 47, Pt 15; ICES-003; CNS13438; GB9254; K22;K24; EN 61000-3-2; EN 61000-3-3; EN 60950-1; IEC 60950-1
--------------------------------	----------------------------	-----------------------------------------------------------------------------------------------------------------------------------------

NOTE: Product conformance to cited product specifications is based on sample (type) testing, evaluation, or assessment. This product or family of products is eligible to bear the appropriate compliance logos and statements.

Slimline CD-RW/DVD-ROM 24X Combo Drive	Shipping Dimensions	13.88 x 11.38 x 9.25 in (35.26 x 28.91 x 23.50 cm)		
	Shipping Weight	5 lb (2.27 kg)		
	Disk	Applicable Disk	DVD-ROM DVD-R (Read Only) 2.6 GB/side DVD-RAM (Read Only) 5.2 GB/side DVD-RAM (Read Only) CD-ROM Mode-1 data disc CD-ROM Mode-2 data disc CD Audio disc CD-Extra CD-RW CD-R CD Text PhotoCD CD-I (mode 2) CD-I Ready CD-Bridge	
		Capacity	DVD-ROM	DVD-SL 4.7 GB/side DVD-DL 8.5 GB/side Double Sided 9.40 GB/side DVD-R 3.95 GB/side DVD-RAM 2.6 GB/side and 5.2 GB/ CD-ROM Mode-1 650 MB (550 MB) Mode-2 742 MB (640 MB)
		Block Size	DVD	2,048 bytes
			CD	2,352 (Mode-0) 2352, 2340, 2336, 2048 bytes (Mode-1) 2352, 2340, 2336, 2048 bytes (Mode-2)
		Diameter	120 mm, 80 mm (with adapter at vertical mounting mode)	
	Loading Mechanism	Tray type		
	Interface	EIDE (ATAPI)		
	Access Times (typical)	Random	DVD-ROM < 120 ms, CD-ROM < 110 ms	
		Full-Stroke	DVD-ROM < 240 ms, CD-ROM < 160 ms	
	Audio Output Level (typical)	Line-out	CD 0.7 Vrms at 47 Kohms Load	
	Data Transfer Rate (sustained)	DVD-ROM	Single Layer	10.8 MB/sec. Max.
		DVD-RAM	2.77 MB/sec. Max	
		CD-ROM	7.2 MB/sec. Max.	
	Cache Buffer	2 MB		
	Spin-up Time (typical)	less than 10 seconds		
	MTBF	120,000 Power On Hours (POH)		
	Ambient Temperature	Operating	-22° to 140° F (-30° to 60° C)	
	Relative Humidity	Operating	10% to 80%	
		Storage/Transportation	5% to 95%	

Technical Specifications

Dimensions	(HxWxD, maximum)	0.5 x 5.04 x 5.1 in (12.7 x 128 x 129.4 mm)
Option Kit Contents	DVD-ROM drive with installation guide, warranty card, registration card	

Integrated Lights-Out 2 Architecture Standard (integrated on system board)	32-bit PCI-based health and remote management ASIC (Application Specific Integrated Circuit)	
Processor	32-bit RISC processor core running at 66 MHz	
Upgradeability	Option firmware upgradeable via flash ROM	
Video Support	Utilizes the host server's embedded video chip. Supports VGA/SVGA, 640 x 480 (256 to 16.7M colors), 800 x 600 (256 to 16.7M colors), 1024 x 768 (256 to 65K colors), 1280 x 1024 (256 colors)	
Interfaces	One Ethernet network connection (10/100 Mb/s)	
Memory	2-MB Flash ROM 8-MB SDRAM	
Operating System and Virtualization Software Support	Microsoft Windows Server Windows Server 2008 Hyper-V Red Hat Enterprise Linux (RHEL) SUSE Linux Enterprise Server (SLES) Oracle Enterprise Linux (OEL) Solaris 10 for x86/x64 based systems VMware XenSource	

NOTE: For more information on HP's Certified and Support Operating System & Virtualization Software, visit our Support Matrix at: www.hp.com/go/ossupport
 For our driver download page www.hp.com/support/DL585G5

Client Browser Support	Microsoft Internet Explorer 7 Microsoft Internet Explorer 6 Firefox 3.5 (on supported Windows and Linux systems) Firefox 3.0 (on supported Windows and Linux systems)	
iLO 2 Standard Features	Virtual Text Remote Console Virtual KVM Virtual Power Button Control Virtual UID Control Power Regulator Control Dedicated LAN Connectivity Secure access using web browser Secure access using Secure Shell (SSH) client Serial connectivity Automatic IP Configuration via DHCP/DNS/WINS Industry Standard 128-bit Secure Sockets Layer (SSL) Security IML and iLO2 Event Logging Support for up to 12 user accounts with customizable access privileges	
iLO Advanced Features (optional)	Virtual Graphical Remote Console Virtual Floppy/USB Key drive Virtual CD-ROM drive Directory Services Integration Processor States Reporting Terminal Services Integration	

NOTE: For more information on how to purchase the HP iLO Advanced optional licensed features, visit the iLO QuickSpecs located: www.hp.com/go/iLO

Technical Specifications

Smart Array P400 Controller	Disk Drive and Enclosure Interface	3G SAS (Serial Attached SCSI) 1.5G SATA (Serial Advanced Technology Attachment)
	SAS Connectors	2 internal (SFF8484) x4 wide port connectors
	Cache Memory Speed	DDR2-533MHz with 40 or 72-bit wide bus provides up to 4.2 GB/s maximum bandwidth.
	Server Interface	x8 2.5G PCIe provides 2GB/s maximum bandwidth.
	SAS Speed	x8 3G SAS provides 2.4GB/s maximum bandwidth.
	Cache Memory	40-bit 256MB cache (72-bit 512MB module upgrades available); ECC protection, battery-backed, and transportable
	Logical Drives Supported	Up to 32 logical drives
	Maximum Logical Drive Capacity	2TB
	Host Memory Addressing	64-bit, supporting greater than 4GB server memory space
	RAID Support	RAID 6 with ADG (Advanced Data Guarding) requires Battery Backed Write Cache Upgrade RAID 5 (Distributed Data Guarding) RAID 1, 1+0 (Striping & Mirroring) RAID 0 (Striping)
	Upgradeable Firmware	Upgradeable Firmware with recovery ROM feature

Two embedded NC371i Multifunction Gigabit Server Adapters	Network Interface	10/100/1000-T
	Compatibility	IEEE 802.3 10Base-T IEEE 802.3ab 1000Base-T IEEE 802.3u 100Base-TX
	Data Transfer Method	PCI Express, four lanes (x4)
	Controller	BCM5706
	Network Transfer Rate	10Base-T (Half-Duplex) 10 Mb/s 10Base-T (Full-Duplex) 20 Mb/s 100Base-TX (Half-Duplex) 100 Mb/s 100Base-TX (Full-Duplex) 200 Mb/s 1000Base-TX (Half and Full-Duplex) 2000 Mb/s
	Connector	RJ-45
	Cable Support	10Base-T Categories 3, 4, or 5 UTP; up to 328 ft (100 m) 10/100/1000 Base-TX Category 5 UTP up to 328 ft (100 m)

Environment-friendly Products and Approach	End-of-life Management and Recycling	<p>Hewlett-Packard offers end-of-life HP product return, trade-in, and recycling programs in many geographic areas. For trade-in information, please go to: http://www.hp.com/go/green. To recycle your product, please go to: http://www.hp.com/go/green or contact your nearest HP sales office. Products returned to HP will be recycled, recovered or disposed of in a responsible manner.</p> <p>The EU WEEE directive (2002/95/EC) requires manufacturers to provide treatment information for each product type for use by treatment facilities. This information (product disassembly instructions) is posted on the Hewlett Packard web site at: http://www.hp.com/go/green. These instructions may be used by recyclers and other WEEE treatment facilities as well as HP OEM customers who integrate and re-sell HP equipment.</p>
---------------------------------------------------	---------------------------------------------	--------------------------------------------------------------------------------------------------------------------------------------------------------------------------------------------------------------------------------------------------------------------------------------------------------------------------------------------------------------------------------------------------------------------------------------------------------------------------------------------------------------------------------------------------------------------------------------------------------------------------------------------------------------------------------------------------------------------------------------------------------------------------------------------------------------------------------------------------------------------------------------------------------------------------------------------------------------------------

Technical Specifications

© Copyright 2010 Hewlett-Packard Development Company, L.P.

The information contained herein is subject to change without notice.

Microsoft and Windows are US registered trademarks of Microsoft Corporation.

AMD, the AMD Arrow logo, AMD Opteron™, and combinations thereof, are trademarks of Advanced Micro Devices, Inc.

Unix is a registered trademark of The Open Group.

The only warranties for HP products and services are set forth in the express warranty statements accompanying such products and services. Nothing herein should be construed as constituting an additional warranty. HP shall not be liable for technical or editorial errors or omissions contained herein.

For hard drives, 1GB = 1 billion bytes. Actual formatted capacity is less.