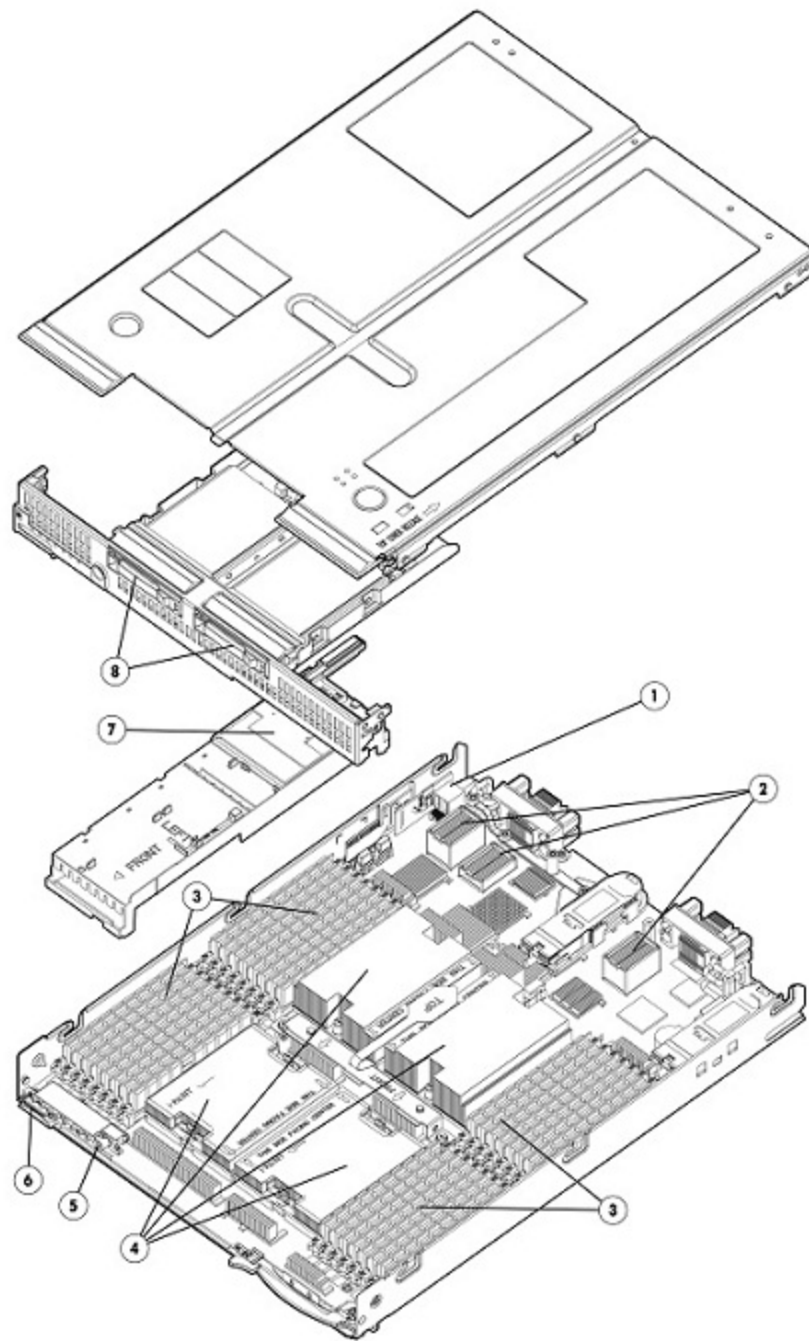


Overview



HP ProLiant BL685c G7 Server Blade

- | | |
|---|--|
| 1. Internal USB connector/
Internal MicroSD card slot | 5. System power button and LED |
| 2. Three (3) mezzanine I/O expansion slots | 6. Local I/O Connector |
| 3. Thirty-two (32) PC3-8500 DDR3 Registered DIMMs or
PC3-10600 DDR3 Registered DIMMs | 7. Smart Array P410i storage controller (available as an
option in factory integrated models) |
| 4. Up to four (4) Multi-Core AMD Opteron™ 6100 Series
processors | 8. Two (2) small form factor (SFF) hot plug drive bays |

What's New

- Support for HP NC551m Dual Port FlexFabric 10Gb Converged Network Adapter

At A Glance

This document covers the HP ProLiant BL685c G7 server blade only. For more information on HP BladeSystem c-Class Enclosures and HP BladeSystem c-Class Interconnects, please see the following QuickSpecs:

- HP BladeSystem c3000 Enclosure QuickSpecs:
http://h18000.www1.hp.com/products/quickspecs/12790_div/12790_div.html
- HP BladeSystem c7000 Enclosure QuickSpecs:
http://h18000.www1.hp.com/products/quickspecs/12810_div/12810_div.html
- HP BladeSystem c-Class Interconnect Components QuickSpecs:
http://h18000.www1.hp.com/products/quickspecs/12524_div/12524_div.html

The BL685c G7 helps simplify network connections, lower infrastructure costs, and delivers cost-effective, scalable, dense four-processor performance for virtualization and compute-intensive database applications.

Overview

HP ProLiant BL685c G7 server blade includes:

- **Processor:**
 - Up to four (4) Multi-Core AMD Opteron™ 6100 Series processors
 - Twelve-Core supports up to 2.2 GHz; 512 KB Level 2 cache memory per core; 12 MB Level 3 cache
 - Eight-Core supports up to 2.4 GHz; 512 KB Level 2 cache memory per core; 12 MB Level 3 cache
 - AMD SR5690 and SP5100 chipsets
- **Memory:**
 - Thirty-two (32) DIMM slots
 - Up to 512GB of PC3-8500 DDR3 Registered (RDIMM) memory, operating at 1066 MHz when fully populated at 2 DIMMs per channel in 32 slots
 - Up to 256GB of PC3-10600 DDR3 Registered (RDIMM) memory, operating at 1333 MHz when fully populated at 2 DIMMs per channel in 32 slots
 - Supporting memory interleaving (2:1)

NOTE: Each processor memory bus will operate at up to 1333 MHz with either one quad-rank (QR) or two single-rank/dual-rank (SR/DR) DIMMs per processor memory channel and 1066 MHz with up to two QR or one QR and one SR/DR DIMMs per processor memory channel with standard voltage (1.5V, PC3) DIMMs. Memory bus will operate one speed slower when low voltage (1.35V, PC3L) memory is installed. Memory bus speeds may be further limited by the speed of the memory used as well.
- **Storage Controller:**
 - Smart Array P410i RAID controller with 1GB flash backed write cache (FBWC). Supports RAID 0,1.

NOTE: The HP Smart Array P410i controller is required for all blades that support hot plug drives. See [Factory Integrated Models](#) section for more information.
- **Internal Drive Support:**
 - Up to two (2) small form factor (SFF) SAS or SATA hot plug hard disk drives or SATA solid state drives
- **Network Controller:**
 - Two (2) integrated NC551i Dual Port FlexFabric 10Gb Converged Network Adapters supporting stateless TCP/IP offload, TCP Offload Engine (TOE), Fibre Channel over Ethernet (FCoE) and iSCSI protocols

NOTE: Flex-10 capability requires the use of an HP Virtual Connect Flex-10 10Gb Ethernet module. Learn more at: www.hp.com/go/virtualconnect.

NOTE: Fibre Channel over Ethernet (FCoE) capability requires the use of an HP Virtual Connect FlexFabric 10Gb/24-port Module. Learn more at: www.hp.com/go/virtualconnect.

NOTE: Each port is autosensing 1 Gb / 10 Gb, and can interoperate with 1 Gb HP BladeSystem c-Class interconnect components. Both ports will operate at the same speed.
 - One (1) additional embedded 10/100 network adapter dedicated to iLO 3 management
- **Mezzanine Support:**
 - Three (3) I/O expansion mezzanine slots.
 - Supports up to three (3) mezzanine cards
 - Dual-Port Fibre Channel Mezzanine (4-Gb or 8-Gb) options for SAN connectivity
 - Dual-Port FlexFabric Converged Network Adapter
 - Ethernet server adapter mezzanine options for additional network ports
 - InfiniBand (IB) Mezzanine options for low latency server interconnectivity
 - I/O Accelerator mezzanine options for high transaction rate local storage
- **Internal Media Support:**
 - One (1) internal USB 2.0 connector for security key devices and USB drive key
 - One (1) internal MicroSD-HC card slot
- **Trusted Platform Module:**
 - One (1) internal TPM 1.2 module connector
- **Form Factor:**
 - HP ProLiant BL685c G7 server blade plugs into the BladeSystem c3000 and c7000 enclosures
- **Infrastructure Management:**
 - HP Integrated Lights-Out 3 (iLO 3) management processor for simplified server setup, health monitoring and recovery, power and thermal control, and lights-out remote administration.
 - HP Insight Control, a product option, delivers essential infrastructure management that can help save time and money by making it easy to deploy, monitor, control and optimize your IT infrastructure through a single, simple management console. Insight Control supports both Windows and Linux-based central management servers.
 - HP Insight Dynamics for ProLiant, a product option, is an integrated command center that enables IT Staff personnel to continuously analyze and optimize a converged infrastructure, while automating and reducing the cost of common data center tasks by as much as 40 percent. This ultimately enables them to dynamically keep pace with the organization's changing business requirements.
- **Operating Systems and Virtualization Software:**
 - Supports Windows, RHEL, SLES, OEL, VMware and Citrix XenServer
- **Enclosures:**
 - HP offers three (3) different c-Class server blade enclosures to meet your individual needs:
 - The HP BladeSystem c7000 rack enclosure is 10U high and holds up to eight (8) ProLiant BL685c G7 servers plugged vertically.
 - The HP BladeSystem c3000 rack enclosure is 6U high and holds up to four (4) HP ProLiant BL685c G7 servers plugged horizontally.
 - The HP BladeSystem c3000 tower enclosure is designed with casters for sites without racks and holds up to four (4) HP ProLiant BL685c G7 servers plugged vertically.
 - Server blades, storage blades, and interconnect modules are all designed to fit into the c7000 and c3000 enclosures.
 - For additional enclosure information, please see:

Overview

<http://h18004.www1.hp.com/products/blades/components/enclosures/c-class/index.html>.

NOTE: For optimal cooling and system performance the BL685c G7 requires the c7000 enclosure to be configured with 10 fans and the c3000 enclosure to be configured with 6 fans.

- **Warranty:**

- This product is covered by a global limited warranty and supported by HP Services and a worldwide network of HP Authorized Channel Partners. Hardware diagnostic support and repair is available for three years from date of purchase. Support for software and initial setup is available for 90 days from date of purchase. Enhancements to warranty services are available through HP Care Pack services or customized service agreements. Hard Drives have either a one year or three year warranty; refer to the specific hard drive QuickSpecs for details.

NOTE: Server Warranty includes 3 year Parts, 3 year Labor, 3-year on-site support. Warranty repairs may be accomplished through the use of Customer Self Repair (CSR) parts. These parts fall into two categories: 1) Mandatory CSR parts are designed for easy replacement. A travel and labor charge will result when customers decline to replace a Mandatory CSR part; 2) Optional CSR parts are also designed for easy replacement but may involve added complexity. Customers may choose to have HP replace Optional CSR parts at no charge. Additional information regarding worldwide limited warranty and technical support is available at:

<http://h18004.www1.hp.com/products/servers/platforms/warranty/index.html>

Standard Features

NOTE: For the Standard Features shipped in the "Factory Integrated Models", please see the "Configuration Information - Factory Integrated Models" section.

Processor **Twelve-Core Processors**
 AMD Opteron™ processor Model 6174 (2.2 GHz, 12 MB L3 Cache, 80W ACP)
 AMD Opteron processor Model 6172 (2.1 GHz, 12 MB L3 Cache, 80W ACP)
 Low Power AMD Opteron processor Model 6164 HE (1.7 GHz, 12 MB L3 Cache, 65W ACP)

Eight-Core Processors
 AMD Opteron processor Model 6136 (2.4 GHz, 12 MB L3 Cache, 80W ACP)
 Low Power AMD Opteron processor Model 6128 HE (2.0 GHz, 12 MB L3 Cache, 65W ACP)

NOTE: Processor wattage references reflect Average CPU Power (ACP). For more information on ACP visit: <http://www.amd.com/powernow>.

Upgradeability Upgradeable to quad (4) processors
NOTE: The HP ProLiant BL685c G7 only supports two (2) and four (4) processor configurations.

Cache Memory 512 KB Level 2 cache memory per core
 12 MB Level 3 cache memory

Chipset AMD SR5690 and SP5100

Memory Type DDR3 Registered (RDIMM)

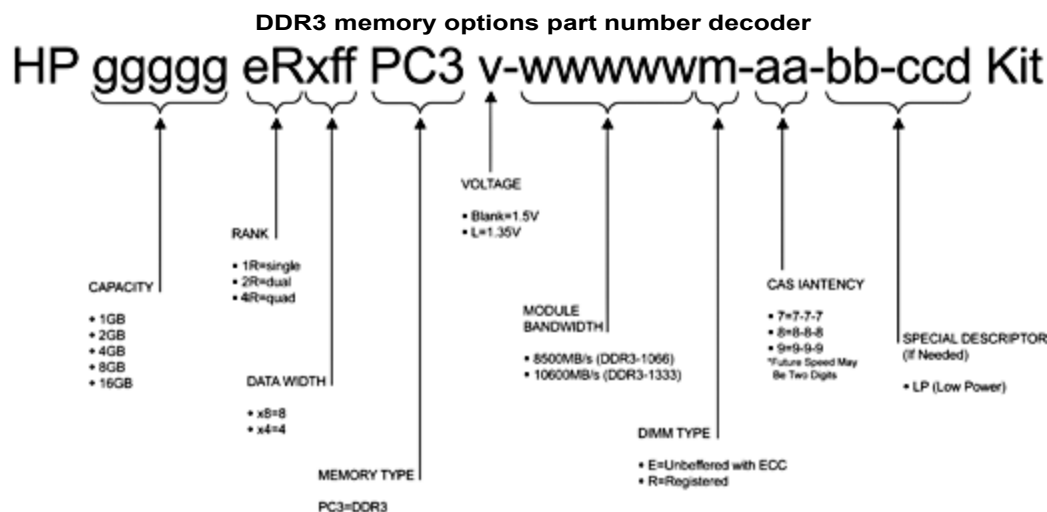
Standard 32GB (8 x 4GB)
 (depending on model)

Standard 64GB (16 x 4GB)
 (depending on model)

Maximum (RDIMM) 512GB (32 x 16GB) at 1066 MHz

NOTE: Each processor memory bus will operate at up to 1333 MHz with either one quad-rank (QR) or two single-rank/dual-rank (SR/DR) DIMMs per processor memory channel and 1066 MHz with up to two QR or one QR and one SR/DR DIMMs per processor memory channel with standard voltage (1.5V, PC3) DIMMs. Memory bus will operate one speed slower when low voltage (1.35V, PC3L) memory is installed. Memory bus speeds may be further limited by the speed of the memory used as well. Please see the Online Memory Configuration Tool at: <http://www.hp.com/go/ddr3memory-configurator>

NOTE: Kits described as PC3L include Low Power DIMMs. For more information on ProLiant Energy Efficient Features, see: www.hp.com/go/ddr3memory-configurator



Network Controller Two (2) integrated NC551i Dual Port FlexFabric 10Gb Converged Network Adapters
NOTE: Flex-10 capability requires the use of an HP Virtual Connect Flex-10 10Gb Ethernet module. Learn more at: www.hp.com/go/virtualconnect.
NOTE: Fibre Channel over Ethernet (FCoE) capability requires the use of an HP Virtual Connect FlexFabric 10Gb/24-port Module. Learn more at: www.hp.com/go/virtualconnect.
 One (1) additional 10/100 network adapter dedicated to iLO 3 Management

I/O Expansion Slots Three (3) I/O expansion mezzanine slots (All x8 PCI Express)

Standard Features

Integrated Manageability	HP Integrated Lights-Out 3 (iLO 3)	
Storage Controller	HP Smart Array P410i Controller	1GB memory module with flash backed write cache (FWBC). Supports RAID 0,1. NOTE: The HP Smart Array P410i controller is required for all blades that support hot plug drives. See Factory Integrated Models section for more information.
Maximum Internal Storage	Hot Plug SAS	1TB SAS (2 x 500GB) Serial SCSI
	Hot Plug SATA	1TB SATA (2 x 500GB) Serial ATA
	Hot Plug SATA SSD	240GB SATA SSD (2 x 120GB) Serial ATA SSD
Graphics	Integrated ATI RN-50 1280 x 1024 x 16M color	
Graphics Resolution Supported	Resolution Color Depths	Depths 1280 x 1024, 16.7M, 64k, 256, 16 1024 x 768, 16.7M, 64k, 256, 16 800 x 600, 16.7M, 64k, 256, 16 640 x 480, 16.7M, 64k, 256, 16

Fibre Channel Support Four optional dual-port Fibre Channel HBAs are supported by the HP ProLiant BL685c G7. Each mezzanine circuit board connects directly to the server blade system board. These Fibre Channel HBAs are available via option kits and must be ordered separately.

HBA mezzanine card option kits:

Emulex LPe1105-HP 4Gb FC HBA (403621-B21)

- Field-proven reliability and performance for a broad range of applications using drivers and management tools that are fully compatible with all Emulex HBAs

Emulex LPe 1205-HP 8Gb FC HBA (456972-B21)

- Exceptional performance, enhanced security, and scalable management for virtual server and enterprise-class applications

QLogic QMH2462 4Gb FC HBA (403619-B21)

- Uses common drivers which means that customers can standardize on one QLogic driver whether they are using the QMH2462 or other HBAs powered by QLogic

QLogic QMH2562 8Gb FC HBA (451871-B21)

- Provides a first step into the 8Gb future, advanced, embedded support for virtualized environments and reduced power consumption

Brocade 804 8Gb FC HBA for HP BladeSystem c-Class (590647-B21)

- Application oriented Quality of Service (AQoS) providing the ability to configure, prioritize, and optimize traffic flows from virtual machines and/or applications to the target port

Brocade, Emulex and QLogic Fibre Channel HBAs for HP BladeSystem c-Class feature:

- Optimal performance utilizing PCI Express
- 4/2/1Gb/s auto negotiating speeds (4Gb HBAs)
- 8/4/2Gb/s auto negotiation speeds (8Gb HBAs)
- Dual-ports for redundant path connections
- Up to two FC HBAs per server blade providing redundant FC HBA support
- Optimized for HP StorageWorks and supported by third party SAN vendors
- Support for Microsoft® Windows®, Linux, VMware ESX and Citrix XenServer™ operating system environments

Compatible SAN HP ProLiant BL685c G7 server blades are optimized for HP StorageWorks MSA, EVA, and XP HP ProLiant BL685c G7 server blades are compatible with select third party SANs (please see blade storage page for more details:

<http://h18004.www1.hp.com/products/blades/components/c-class-sans.html>

Standard Features

HP Virtual Connect HP Virtual Connect is an interconnect option for BladeSystem c-Class that simplifies server connectivity to data and storage networks, and reduces costs. Unique HP Flex-10 and FlexFabric technologies make maximum use of network bandwidths, provide dynamic tuning and enable extreme flexibility to meet individual server and infrastructure requirements. HP Virtual Connect Enterprise Manager (VCEM) provides a central console to administer network connections and workloads for thousands of servers. For more information on Virtual Connect Ethernet, Fibre Channel, Converged Network and management options see: www.hp.com/go/virtualconnect

HP Insight management software

HP Insight Foundation Managing the growing number of servers can be complex and expensive for your organization. IT managers need to address changing business needs with tools that meet the challenges of managing today's complex Datacenters.

HP provides management solutions that are designed to simplify a server's installation, configuration and maintenance throughout the entire server lifecycle. This provides the customer with higher levels of operational efficiency and highly reliable systems:

www.hp.com/go/foundation.

The foundation pack includes:

- HP SmartStart
- HP Management
- HP ProLiant Firmware Maintenance

SmartStart version supported (minimum): SmartStart 8.5

<http://www.hp.com/servers/smartstart>

HP Integrated Lights-Out (iLO) HP Integrated Lights-Out (iLO) simplifies server setup, health monitoring, power and thermal control, and lights-out remote administration of ProLiant ML, DL, and BL servers. HP iLO functions without additional software and can be accessed from any location via a web browser. HP iLO works hand-in-hand with HP Systems Insight Manager, Insight Control suites, and Insight Dynamics for ProLiant, helping customers unleash the value of the ProLiant platform and deliver the highest possible quality of IT service. For more information, visit: www.hp.com/go/iLO

HP Insight Control HP Insight Control, a product option, delivers essential infrastructure management that can help save time and money by making it easy to deploy, monitor, remote control, and optimize your IT infrastructure through a single, simple management console.

Two versions of Insight Control are available, to serve environments requiring either a Linux-based or a Windows-based central management servers: HP Insight Control for Linux, and HP Insight Control. See www.hp.com/go/insightcontrol

HP Insight Control includes one year of 24 x 7 HP Software Technical Support and Update Service ensuring rapid access to HP support staff and proactive delivery of software updates. For more information about this service, please visit: <http://www.hp.com/services/insight>.

HP Insight Dynamics for ProLiant HP Insight Dynamics for ProLiant, a product option, is advanced infrastructure management software that enables IT staff to instantly adjust their environments to meet dynamic business demands by provisioning, optimizing and protecting complex infrastructure in minutes. It's a powerful toolkit, integrated-by-design, that accelerates complex technology projects and simplifies daily operations, transforming data center economics. With Insight Dynamics IT professionals can plan capacity and power continuously, balance workloads across physical and virtual resources, and ensure cost-effective high availability. It also enables IT organizations to provision infrastructure consistently and automatically from pools of shared resources using a self-service portal. Resources provisioned can range from a single virtual machine to complex multi-tier environments and their associated physical and virtual resource requirements. In addition to the previous functional benefits, it also provides a cost-effective disaster recovery for physical and virtual environments that works with HP StorageWorks Continuous Access software for both the Enterprise Virtual Array and the XP storage array allowing application environments to be reactivated in minutes with the touch of a button to a remote location.

NOTE: For more information, visit:

Standard Features

<http://www.hp.com/go/insightdynamics>

Operating Systems and Microsoft Windows Server

Virtualization Software [Red Hat Enterprise Linux \(RHEL\)](#)
[SUSE Linux Enterprise Server \(SLES\)](#)
[Oracle Enterprise Linux \(OEL\)](#)
[VMware](#)
[Citrix XenServer](#)

NOTE: For more information on HP's Certified and Supported ProLiant Servers for OS and Virtualization Software and latest listing of software drivers available for your server, please visit our Support Matrix at: <http://www.hp.com/go/supportos> and our driver download page <http://www.hp.com/support/BL685cG7>

Availability

Dual-Port Fibre Channel Mezzanine Card for redundant SAN connection
 Two (2) embedded dual-port 10Gb Converged Network Adapters for redundant LAN connections
 Two (2) hot-plug SAS/SATA/SSD drive bays and integrated RAID (Smart Array P410i) controller with flash backed write cache
 Redundant ROM on each server blade
 Multiple mezzanine I/O expansion
 ECC Memory
 Network adapter teaming (network fault tolerance, transmit load balancing, switch-assisted load balancing)

Industry Standard Compliance

ACPI 2.0 Compliant
 PCI 2.2 Compliant
 WOL Support
 Microsoft® Logo certifications
 USB 2.0 Support

Security

Power-on password
 Administrator's password
 Integrated Lights-Out 3 has 12 customizable user accounts and SSL encryption

Security - Trusted Platform Module

The TPM (Trusted Platform Module) is a microcontroller chip that can securely store artifacts used to authenticate the server platform. These artifacts can include passwords, certificates and encryption keys. Windows® BitLocker™ Drive Encryption (BitLocker) is a data protection feature available in Windows Server® 2008. BitLocker leverages the enhanced security capabilities of a Trusted Platform Module (TPM) version 1.2. The TPM works with BitLocker to help protect user data and to ensure that a server running Windows Server 2008 has not been tampered with while the system was offline.

NOTE: For more information about TPM, including a white paper, go to: www.hp.com/go/TPM.
NOTE: ProLiant OS pre-installed units will come with the partition required for TPM deployment.
NOTE: The TPM key is unique to every TPM deployed server and must be retained. Misplacing or losing the key could result in data loss.

Factory Express Portfolio for Servers and Storage

HP Factory Express offers configuration, customization, integration and deployment services for HP servers and storage products. Customers can choose how their factory solutions are built, tested, integrated, shipped and deployed.

Factory Express offers service packages for simple configuration, racking, installation, complex configuration and design services as well as individual factory services, such as image loading, asset tagging, and custom packaging. HP products supported through Factory Express include a wide array of servers and storage: HP Integrity, HP ProLiant, HP ProLiant Server Blades, HP BladeSystem, HP 9000 servers as well as the MSAXxxx, VA7xxx, EVA, XP, rackable tape libraries and configurable network switches.

For more information on Factory Express services for your specific server model please contact your sales representative or go to: <http://www.hp.com/go/factory-express>.

HP Enterprise Configurator

The HP eConfigure Enterprise Configurator now provides factory default racking for our HP hardware portfolio. This approach is aligned with our strategic direction to meet the needs and expectations of our valued customers. If you require "custom" rack configuration, please contact HP's Customer Business Center or an Authorized Partner for assistance.
<http://www.hp.com/products/configurator>.

Service and Support

Service and Support For increased uptime, productivity and ROI - HP Care Pack packaged services for Servers

These days, you need to get the most out of your server investment - you can't afford not to. When you buy HP server products and solutions, it's also a good time to think about what levels of service and support you may need. To help take the worry out of deploying, designing, maintaining, and managing your environment, we've designed a portfolio of service options that are as: flexible, reliable and scalable as your server. Unlike server-only vendors, we take a holistic approach to your entire environment, bridging storage, servers, blades, software and network infrastructures with our HP Care Pack packaged services for Servers.

Protect your business beyond the warranty

When it comes to robustness and reliability, standard warranties on today's computing equipment have matured just as the technologies have matured. Good news on some fronts - but also a source of potential problems and subsequent consequences that come from depending on standard warranties alone. Standard warranty protects against product defects and some causes of downtime - but not the business. By using a standard approach to warranty uplifts, such as HP Care Pack Services, you can reduce downtime risks and be more certain of operational consistency for both mission-critical and standard business computing. Simply put, HP Care Pack Services normalize the warranty of combined products - helping you proactively guard against unplanned downtime.

Extending warranties with HP Care Pack Services

For cost-effective upgrading or extending your standard warranty, HP Care Pack Services offer a suite of standard reactive hardware and software support services that are sold separately, or combined as with our Support Plus and Support Plus 24 services. The portfolio also provides a combination of proactive and reactive services, such as Proactive 24 Service and Critical Service. In addition, with HP Proactive Select we offer an innovative approach to service delivery that gives you the flexibility to acquire the specific proactive services you need today, then add services as your needs evolve. HP Proactive Select offers a broad set of technical or per-event type service options - including server, storage, and network, SAN device, and software, environment, installation and education services. Services that you can mix and match depending on your specific requirements, from preliminary planning and equipment delivery to installation, configuration, integration, and testing, through every level of ongoing support. Our HP Care Pack packaged services for Servers assures help when you need it most. And for many products, post-warranty HP Care Pack Services are available when your original warranty has expired.

HP Server Services: Offering reliability, flexibility and value - just like your storage

HP Server Services offers a full spectrum of customer care, from technology support to complex migrations to complete completely managed services. HP Factory Express provides customization, integration and deployment services for turnkey solutions. HP Education offers flexible, comprehensive training on server networking and server software to help your IT staff get the most out of your investments. And HP Financial solutions extend innovative financing and asset management programs to cost-effective buy, manage and eventually retire your older equipment.

HP Server Services, the trusted business technology experts who manage your technology in action, because when technology works, business works. <http://www.hp.com/services/servers>, <http://www.hp.com/services/storage>

NOTE: Care Pack Services availability may vary by product and country.

HP Care Pack Services are sold by HP and HP Authorized Service Partners:

- Services for customers purchasing from HP or an enterprise reseller are quoted using HP order configuration tools.
- Customers purchasing from a commercial reseller can find HP Care Pack Services at: <http://www.hp.com/go/lookuptool>

*Service and Support***Recommended HP Care Pack Services for optimal satisfaction with your HP product****Recommended Services****Hardware Support - 3-Year HP 24x7 6-hour call to repair Care Pack**

3-Year HP 24x7 6-hour call to repair Care Pack - This cost-effective service helps you minimize system downtime due to hardware failure. It features a commitment to resolve hardware problems within 6 hours from the time your service call is received. (Please note repair-time restrictions below.)

When you experience system problems, your call is immediately connected to an HP-certified resolution engineer for troubleshooting. If your problem cannot be resolved remotely, an experienced support professional is dispatched to your site to begin hardware repair activities.

HP is committed to repairing your hardware within a maximum of six hours. The benefits include:

- Improved system uptime
- Predictable repair times
- More effective IT resource planning
- Consistent level of hardware support across your multi-technology systems

<http://h20195.www2.hp.com/V2/GetPDF.aspx/5981-6636ENN>

Hardware Support - 3 - Years 24x7 24 hour Call-to-Repair

3-Year HP 24x7 24-hour call to repair Care Pack - This cost-effective service helps you minimize system downtime due to hardware failure. It features a commitment to resolve hardware problems within 6 hours from the time your service call is received. (Please note repair-time restrictions below.)

When you experience system problems, your call is immediately connected to an HP-certified resolution engineer for troubleshooting. If your problem cannot be resolved remotely, an experienced support professional is dispatched to your site to begin hardware repair activities. HP is committed to repairing your hardware within a maximum of six hours. The benefits include:

- Improved system uptime
- Predictable repair times
- More effective IT resource planning
- Consistent level of hardware support across your multi-technology systems

<http://h20195.www2.hp.com/V2/GetPDF.aspx/5981-6636ENN>

ProLiant Servers Installation and Startup Service

HP Installation and Startup of HP ProLiant Servers provides for the installation of your new HP ProLiant server and operating system. This will assist you in bringing your new HP ProLiant server and operating system into operation in a timely and professional manner.

This service provides a trained HP service specialist to perform an installation that meets HP quality standards, for:

- Delivery of the service at a mutually scheduled time convenient to your organization
- Availability of an HP service specialist to answer basic questions during the onsite delivery of this service
- Custom installation as detailed in "Delivery specifications" or in a Statement of Work (SOW)
- Verification prior to installation that all service prerequisites are met

<http://h20195.www2.hp.com/V2/GetPDF.aspx/5982?7572ENN>

Optional HP Care Pack Services that will enhance your HP product experience**Optional Services****3-Year HP Support Plus 24 Service Care Pack**

As an alternative to our recommended support level, for customers who need access to responsive 24x7 hardware and software support plus software updates on HP and selected third party products:

HP Support Plus 24 helps you increase performance and availability with comprehensive, consistent hardware and software services. Working with your IT team, HP Services engineers deliver onsite hardware support and over-the-phone software support around-the-clock 365 days per year. Service coverage encompasses HP products and selected multi-vendor hardware and software.

In addition, this convenient HP Care Pack packaged service makes software updates available to you at substantial savings.

Service and Support

Choose Support Plus 24 when you need to:

- Improve uptime with responsive hardware and software services available anytime
- Cost-effectively obtain expert 24x7 multi-vendor hardware and software support
- Enjoy consistent service coverage across geographically dispersed sites
- Update HP and selected third-party software at a predictable cost
- Take advantage of subscription savings on software updates

<http://h20195.www2.hp.com/V2/GetPDF.aspx/5981-6638EEE>

3 Year HP Proactive 24

As an alternative to our recommended support level, for customers who want enhanced operational effectiveness and proactive problem identification:

HP Proactive 24 Service (P24) integrates hardware and software support to help you improve the stability and operational effectiveness of your IT environment. An HP Account Manager acts as your primary point of contact to ensure that HP meets your support needs effectively.

P24 provides the maximum value when multiple technologies in the environment (e.g. servers, storage, SAN and the network), are all covered. It provides an environment-wide view and consistent support of all of these components which affect stability of your key applications.

Choose P24 when you want to:

- enhance operational effectiveness with proactive problem identification and recommendations from HP
- partner with technical experts who help coordinate support, provide hands-on assistance, and share knowledge with your staff
- rapidly access support and expertise spanning your environment
- obtain personalized services tailored to your business environment and critical success factors
- anticipate necessary change - and execute it correctly the first time
- efficiently manage infrastructure resources to meet your performance objectives

<http://h20195.www2.hp.com/V2/GetPDF.aspx/4AA0-1614ENUC>

Hardware Support - 3-Year, 24x7 Same-Business-Day, On-site. 4-Hour response coverage

As an alternative to our recommended support level, for customers who need same day response service level 24x7.

3-Year, 24x7 Same-Business-Day, On-site. 4-Hour response coverage provides high-quality remote assistance and onsite support for your covered hardware, helping you to improve product uptime. You have the flexibility to choose between different service-level options featuring different response times and coverage windows, as well as between several coverage periods to address your specific service needs.

Service benefits:

- Help improve or maintain system uptime
- Convenient onsite support
- Reliable response times
- Remote problem diagnosis and support
- Onsite hardware support
- Materials included
- Service-level options with different coverage windows and response times
- Work to completion
- Escalation management
- Access to electronic support information and services
- HP electronic remote monitoring and support solution (for eligible products only)
- Optional Defective Media Retention Service

<http://h20195.www2.hp.com/V2/GetPDF.aspx/5982-6547EEE>

Service and Support

eSupport

HP eSupport is a portfolio of technology-based services that assist you with managing your business environment - from the desktop to the data center.

Support Portal

The HP support portal provides one-stop access to the information, tools and services you need to manage the daily operations of your IT environment.

Features include:

- Access to self-solve tools (including search technical knowledge base)
- Efficient logging and tracking of support cases
- Collaboration with other business and IT professionals
- Download of patches and drivers
- Access to diagnostic tools
- Proactive notification of relevant information

HP Insight Remote Support software delivers secure remote support for your HP Servers and Storage, 24 X 7, so you can spend less time solving problems and more time focused on your business. You can have your systems remotely monitored for hardware failure using secure technology that's been proven at thousands of companies around the world. In many cases, you can avoid problems before they occur.

HP Services Awards

HP Services continues to be recognized for service and support excellence by customers, partners, industry organizations and publications around the world. Recent honors and award reflect our services team's dedications, technical expertise, professionalism and uncompromising commitment to customer satisfaction. For a list of all our awards, please visit: <http://h10033.www1.hp.com/hpinfo/hpawards/index.asp>

Additional Services Information

For more information about HP Care Pack Services for Servers, please visit: <http://www.hp.com/services/servers>

To learn more on HP ProLiant servers and HP BladeSystem, please contact your HP sales representative or HP Authorized Channel Partner, or visit: www.hp.com/services/proliant or www.hp.com/services/bladepystem

Models

Twelve-Core Models

NOTE: Not all models are available in all regions. Check with your local country HP offices for availability.

HP BL685c G7, 6174 12C, 64G (4P) 518870-B21	Processor(s) Cache Memory One of the following depending on model Memory Network Adapter Storage Controller Hard Drives Internal Storage Optical Drive Form Factor	(4) AMD Opteron™ processor Model 6174 (2.2 GHz) 512 KB Level 2 cache memory per core 12 MB Level 3 cache memory 64 GB (16 x 4 GB) PC3-10600, Registered DDR3-1333 Two (2) embedded HP NC551i Dual Port FlexFabric 10Gb Converged Network Adapters Smart Array P410i RAID controller with 1 GB cache flash-backed write cache (FBWC) None ships standard; (2) SFF SAS/SATA/SSD drive bays Up to 1TB SAS Up to 1TB SATA Up to 240GB SATA SSD None ships standard Up to four (4) full-height blades supported in the HP BladeSystem c3000 Enclosure Up to eight (8) full-height blades supported in HP BladeSystem c7000 Enclosure
--	--	---

Eight-Core Models

HP BL685c G7 6136, 8C, 32G (4P) 518873-B21	Processor(s) Cache Memory One of the following depending on model Memory Network Adapter Storage Controller Hard Drives Internal Storage Optical Drive Form Factor	(4) AMD Opteron processor Model 6136 (2.4 GHz) 512 KB Level 2 cache memory per core 12 MB Level 3 cache memory 32 GB (8 x 4 GB) PC3-10600, Registered DDR3-1333 Two (2) embedded HP NC551i Dual Port FlexFabric 10Gb Converged Network Adapters Smart Array P410i RAID controller with 1 GB cache flash backed write cache (FBWC) None ships standard; (2) SFF SAS/SATA/SSD drive bays Up to 1TB SAS Up to 1TB SATA Up to 240GB SATA SSD None ships standard Up to four (4) full-height blades supported in the HP BladeSystem c3000 Enclosure Up to eight (8) full-height blades supported in HP BladeSystem c7000 Enclosure
---	--	---

Configuration Information - Factory Integrated Models

NOTE: This section lists some of the steps required to configure a Factory Integrated Model. To ensure only valid configurations are ordered, HP recommends the use of an HP approved configurator. Contact your local sales representative for information on CTO product offerings and requirements.

NOTE: HP does not allow factory integration of options into standard models listed above.

Configure-to-order servers must start with a CTO Chassis.

NOTE: FIO indicates that this option is available only as a Factory Installable Option.

Step 1: Base Server Blade Configuration

Models	HP ProLiant BL685c G7 CTO Blade	518878-B21
	Two (2) integrated HP NC551i Dual Port FlexFabric 10Gb Converged Network Adapters and one (1) additional 10/100 server adapter dedicated to iLO 3 management	
	Two (2) small form factor (SFF) SAS/SATA/SSD hot plug drive bays	
	HP Integrated Lights-Out 3 (iLO 3)	

Step 2: Choose Required Options (one of the following from each list unless otherwise noted)

HP Processors	<p>For dual (2) processor configurations choose (one of the following): NOTE: If four (4) processors are desired, select one xxxxxx-L21 and one xxxxxx-B21.</p> <p>Twelve-Core Processors</p> <p>AMD Opteron processor Model 6174 (2.2 GHz, 12 MB L3 Cache, 80W ACP) Processor Option Kit, FIO Base 518871-L21</p> <p>AMD Opteron processor Model 6172 (2.1 GHz, 12 MB L3 Cache, 80W ACP) Processor Option Kit, FIO Base 593675-L21</p> <p>Low Power AMD Opteron processor Model 6164 HE (1.7 GHz, 12 MB L3 Cache, 65W ACP) Processor Option Kit, FIO Base 596199-L21</p> <p>Eight-Core Processors</p> <p>AMD Opteron processor Model 6136 (2.4 GHz, 12 MB L3 Cache, 80W ACP) Processor Option Kit, FIO Base 518874-L21</p> <p>Low Power AMD Opteron™ processor Model 6128 HE (2.0 GHz, 12 MB L3 Cache, 65W ACP) Processor Option Kit, FIO Base 596201-L21</p>	
HP Memory	<p>Registered DIMMs (RDIMMs)</p> <p>HP 4GB (1x4GB) Single Rank x4 PC3-10600 (DDR3-1333) Registered CAS-9 Memory Kit 593911-B21</p> <p>HP 4GB (1x4GB) Single Rank x4 PC3L-10600 (DDR3-1333) Registered CAS-9 Low Power Memory Kit 604500-B21</p> <p>HP 8GB (1x8GB) Dual Rank x4 PC3-10600 (DDR3-1333) Registered CAS-9 Memory Kit 593913-B21</p> <p>HP 8GB (1x8GB) Dual Rank x4 PC3L-10600 (DDR3-1333) Registered CAS-9 Low Power Memory Kit 604502-B21</p> <p>HP 16GB (1x16GB) Quad Rank x4 PC3-8500 (DDR3-1066) Registered CAS-7 Memory Kit 593915-B21</p> <p>NOTE: All DDR3 memory option kits consist of one DIMM per kit. For detailed memory configuration rules and guidelines, please use the Online DDR3 Memory Configuration Tool: www.hp.com/go/ddr3memory-configurator</p> <p>NOTE: Kits described as PC3L include Low Power DIMMs. For more information on ProLiant Energy Efficient Features, see: www.hp.com/go/proliant-energy-efficient.</p> <p>NOTE: Each processor memory bus will operate at up to 1333 MHz with either one quad-rank (QR) or two single-rank/dual-rank (SR/DR) DIMMs per processor memory channel and 1066 MHz with up to two QR or one QR and one SR/DR DIMMs per processor memory channel with standard voltage (1.5V, PC3) DIMMs. Memory bus will operate one speed slower when low voltage (1.35V, PC3L) memory is installed. Memory bus speeds may be further limited by the speed of the memory used as well.</p>	

Step 3: Choose Additional Factory Integration Options

HP Storage Controller	HP Smart Array P410i Controller for BL465c G7/BL685c G7, FIO	588184-B21
	NOTE: Includes 1 GB cache with flash-backed write cache (FBWC).	
	NOTE: The Smart Array P410i controller is required for all blades that support hot plug drives.	

Configuration Information - Factory Integrated Models

Step 4: Choose Additional Options for Factory Integration

NOTE: For additional "Core Options" and "Additional Options" please see the options sections below. For additional options, including server blade enclosures interconnect options and power subsystem options; please see the following QuickSpecs:

HP BladeSystem c3000 Enclosure QuickSpecs:

http://h18000.www1.hp.com/products/quickspecs/12790_div/12790_div.html

HP BladeSystem c7000 Enclosure QuickSpecs:

http://h18000.www1.hp.com/products/quickspecs/12810_div/12810_div.html

and HP BladeSystem c-Class Interconnect Components QuickSpecs:

http://h18000.www1.hp.com/products/quickspecs/12524_div/12524_div.html.

Core Options

Ethernet Mezzanine Options	Gigabit Ethernet Mezzanines		
	HP NC325m PCI Express Quad Port 1Gb Server Adapter for c-Class BladeSystem	416585-B21	
	HP NC360m Dual Port 1GbE BL-c Adapter	445978-B21	
	HP NC364m Quad Port 1GbE BL-c Adapter	447883-B21	
	HP NC382m Dual Port 1GbE Multifunction BL-c Adapter	453246-B21	
	10 Gigabit Ethernet Mezzanines		
	HP NC522m Dual Port Flex-10 10GbE Multifunction BL-c Adapter NOTE: The NC522m requires a minimum of 2 GB of server memory. NOTE: The NC522m supports linking at 1000Mbps or 10000Mbps when not connected to a Flex-10 enabled module and will link with all current 1Gb switches at 1Gb.	467801-B21	
	HP NC532m Dual Port Flex-10 10GbE Multifunction BL-c Adapter NOTE: The NC532m requires a minimum of 2 GB of server memory. NOTE: The NC532m supports linking at 1000Mbps or 10000Mbps when not connected to a Flex-10 enabled module and will link with all current 1Gb switches at 1Gb.	467799-B21	
	HP NC542m Dual Port Flex-10 10GbE BLc Adapter NOTE: The NC542m requires a minimum of 2 GB of server memory. NOTE: The NC542m supports linking at 1000Mbps or 10000Mbps when not connected to a Flex-10 device. The NC542m will only support 1000Mbps when connected to a 1Gb Ethernet interconnect.	539857-B21	
	HP NC550m 10GbE 2-port PCIe x8 Flex-10 Ethernet Adapter NOTE: The NC550m network adapter card is required for each server blade connecting to a 10Gb interconnect in bays 3-8 (HP BladeSystem c7000 Enclosure) or bays 3-4 (HP BladeSystem c3000 Enclosure) NOTE: The NC550m requires a minimum of 2 GB of server memory. NOTE: The NC550m supports linking at 1000Mbps or 10000Mbps when not connected to a Flex-10 device. The NC550m will only support 1000Mbps when connected to a 1Gb Ethernet interconnect.	581204-B21	
	HP NC551m Dual Port FlexFabric 10Gb Converged Network Adapter NOTE: The NC551m network adapter card is required for each server blade connecting to a 10Gb interconnect in bays 3-8 (HP BladeSystem c7000 Enclosure) or bays 3-4 (HP BladeSystem c3000 Enclosure) NOTE: The NC551m requires a minimum of 2 GB of server memory. NOTE: The NC551m supports linking at 1000Mbps or 10000Mbps when not connected to a Flex-10 device. The NC551m supports 1000Mbps when connected to a 1Gb Ethernet interconnect. NOTE: The ROM Based Setup Utility (RBSU) feature allows for the configuring of a FlexFabric Adapter to any of the supported protocols. For example iSCSI to FCoE (Fibre Channel over Ethernet). Note that a HP Virtual Connect profile takes precedence over the setting in this menu. Also, some FlexFabric Adapters may require that network boot be enabled in order to configure the protocol. If the protocol is configured without enabling network boot with certain FlexFabric Adapters, the protocol may not take effect. Once the protocol has taken effect on the first boot after configuring this option, network boot may be disabled if desired.	580151-B21	
	HP Fibre Channel Mezzanine Options	4Gb Fibre Channel Mezzanines	
		Emulex LPe1105 FC Dual Channel 4Gb, PCI-E-to-Fibre Channel Host Bus Adapter	403621-B21
		QLogic QMH2462 4Gb FC HBA for HP c-Class BladeSystem	403619-B21
	8Gb Fibre Channel Mezzanines		
	HP BLc Emulex LPe1205- 8Gb FC HBA for HP c-Class BladeSystem	456972-B21	
	QLogic QMH2562 8Gb FC HBA for HP BladeSystem c-Class	451871-B21	
	Brocade 804 8Gb FC HBA for HP BladeSystem c-Class	590647-B21	

Core Options

HP Processors

Twelve-Core Processors

AMD Opteron processor Model 6174 (2.2 GHz, 12 MB L3 Cache, 80W ACP) Processor Option Kit	518871-B21
AMD Opteron processor Model 6172 (2.1 GHz, 12 MB L3 Cache, 80W ACP) Processor Option Kit	593675-B21
Low Power AMD Opteron processor Model 6164 HE (1.7 GHz, 12 MB L3 Cache, 65W ACP) Processor Option Kit	596199-B21

Eight-Core Processors

AMD Opteron processor Model 6136 (2.4 GHz, 12 MB L3 Cache, 80W ACP) Processor Option Kit	518874-B21
Low Power AMD Opteron™ processor Model 6128 HE (2.0 GHz, 12 MB L3 Cache, 65W ACP) Processor Option Kit	596201-B21

NOTE: HP ProLiant BL685c G7 processor option kits contain two (2) processors.

NOTE: The ProLiant BL685c G7 only supports two (2) and four (4) processor configurations.

HP Memory

Registered DIMMs (RDIMMs)

HP 4GB (1x4GB) Single Rank x4 PC3-10600 (DDR3-1333) Registered CAS-9 Memory Kit	593911-B21
HP 4GB (1x4GB) Single Rank x4 PC3L-10600 (DDR3-1333) Registered CAS-9 Low Power Memory Kit	604500-B21
HP 8GB (1x8GB) Dual Rank x4 PC3-10600 (DDR3-1333) Registered CAS-9 Memory Kit	593913-B21
HP 8GB (1x8GB) Dual Rank x4 PC3L-10600 (DDR3-1333) Registered CAS-9 Low Power Memory Kit	604502-B21
HP 16GB (1x16GB) Quad Rank x4 PC3-8500 (DDR3-1066) Registered CAS-7 Memory Kit	593915-B21

NOTE: All DDR3 memory option kits consist of one DIMM per kit. For detailed memory configuration rules and guidelines, please use the Online DDR3 Memory Configuration Tool: www.hp.com/go/ddr3memory-configurator

NOTE: Kits described as PC3L include Low Power DIMMs. For more information on ProLiant Energy Efficient Features, see: www.hp.com/go/proliant-energy-efficient

NOTE: Each processor memory bus will operate at up to 1333 MHz with either one quad-rank (QR) or two single-rank/dual-rank (SR/DR) DIMMs per processor memory channel and 1066 MHz with up to two QR or one QR and one SR/DR DIMMs per processor memory channel with standard voltage (1.5V, PC3) DIMMs. Memory bus will operate one speed slower when low voltage (1.35V, PC3L) memory is installed. Memory bus speeds may be further limited by the speed of the memory used as well.

HP Hard Drives

NOTE: The components of a storage subsystem (e.g. the drive, the HBA/controller, firmware, and the server backplane) should operate at the same data transfer rate or the system bandwidth will be negotiated down to an acceptable level for all components.

NOTE: Hard drives have either a one year or three year warranty; refer to the specific hard drive QuickSpecs for details.

SAS Hot Plug SFF (2.5-inch) Enterprise (ENT) Drives

HP 300GB 6G SAS 10K rpm SFF (2.5-inch) Dual Port Enterprise 3yr Warranty Hard Drive	507127-B21
HP 146GB 6G SAS 15K rpm SFF (2.5-inch) Dual Port Enterprise 3yr Warranty Hard Drive	512547-B21
HP 146GB 6G SAS 10K rpm SFF (2.5-inch) Dual Port Enterprise 3yr Warranty Hard Drive	507125-B21
HP 72GB 6G SAS 15K rpm SFF (2.5-inch) Dual Port Enterprise 3yr Warranty Hard Drive	512545-B21

NOTE: Please see the for Technical Specifications and additional information: http://h18000.www1.hp.com/products/quickspecs/12244_div/12244_div.html (Worldwide)

SAS Hot Plug SFF (2.5-inch) Midline (MDL) Drives

HP 500GB 6G SAS 7.2K rpm SFF (2.5-inch) Dual Port Midline 1yr Warranty Hard Drive	507610-B21
---	------------

SATA Hot Plug SFF (2.5-inch) Midline (MDL) Drives

HP 500GB 3G SATA 7.2K rpm SFF (2.5-inch) Midline 1yr Warranty Hard Drive	507750-B21
HP 160GB 3G SATA 7.2K rpm SFF (2.5-inch) Midline 1yr Warranty Hard Drive	530888-B21

Core Options

SATA Hot Plug Midline (MDL) Solid State Drives

HP 120GB 3G SATA SFF (2.5-inch) Midline 1yr Warranty Solid State Drive 572073-B21

HP 60GB 3G SATA SFF (2.5-inch) Midline 1yr Warranty Solid State Drive 572071-B21

NOTE: Please see the QuickSpecs for Technical Specifications and additional information:

http://h18000.www1.hp.com/products/quickspecs/13021_div/13021_div.html
(Worldwide)

Additional Options

HP Insight Software		
HP Insight Control		
HP Insight Control suite, No Media, Electronic License including 1 year of 24x7 Technical Support and Updates		T9074BAE
HP Insight Control suite, No Media 1-Server License including 1 year of 24x7 Technical Support and Updates		452148-B22
HP Insight Software Media Kit		436222-B21
<p>NOTE: Insight Software DVD media without licenses. Contains Insight Control, Insight Dynamics and Virtual Connect Enterprise Manager. Uses an integrated installer to perform quick and accurate software installation and updates.</p> <p>NOTE: Licenses ship without media. The Media Kit for Insight Control for Linux can be ordered separately, or can be downloaded at: http://www.hp.com/go/insightupdates.</p> <p>NOTE: Electronic licenses can be used to purchase multiple licenses with a single activation key, and is available in all countries except China and Japan. Customers in China and Japan should order the physical equivalent.</p> <p>NOTE: Customer will receive a license entitlement certificate, which must be redeemed online or via fax in order to obtain the license activation key(s). Includes one year of 24 x 7 HP Software Technical Support Service.</p> <p>NOTE: For additional license kits please see the Insight Control QuickSpecs at: http://h18004.www1.hp.com/products/quickspecs/12631_div/12631_div.html</p>		
HP Insight Control for Linux		
HP Insight Control for Linux, 1-server license, including one year of 24x7 Technical Support and Updates, Electronic		TC213AAE
HP Insight Control for Linux, No Media, 1-Server license, including one year of 24x7 Technical Support and Updates		TC209A
HP Insight Control for Linux, Media pack (DVD) - No licenses included		TC208A
<p>NOTE: Media pack DVD contains the ISO image for HP Insight Control for Linux, HP Systems Insight Manager, HP Insight Control power management, HP Insight Control virtual machine management, and an integrated installer. Servers must be acquired separately.</p> <p>NOTE: Licenses ship without media. The Media Kit for Insight Control for Linux can be ordered separately, or can be downloaded at: http://www.hp.com/go/ic-linux (click on Download button).</p> <p>NOTE: Electronic software is available in all countries except China and Japan. Customers in China and Japan should order the physical equivalent.</p> <p>NOTE: Electronic and Flexible-Quantity licenses can be used to purchase multiple licenses with a single set of activation keys.</p> <p>NOTE: Tracking licenses may only be purchased by customers that have implemented an activation key agreement (AKA) with HP. For more information on Activation Key Agreements please visit: http://h18013.www1.hp.com/products/servers/proliantessentials/license/options.html</p>		
HP iLO Advanced for BladeSystem		
HP Integrated Lights-Out (iLO) Advanced for BladeSystem, No Media, Electronic License, including 1 year of 24x7 Technical Support and Updates		TA851AAE
HP Integrated Lights-Out (iLO) Advanced for BladeSystem, No Media, 1-Server License, including 1 year of 24x7 Technical Support and Updates		512488-B21
<p>NOTE: Licenses ship without media. The Media Kit for Insight Control for Linux can be ordered separately, or can be downloaded at: http://www.hp.com/go/insightupdates.</p> <p>NOTE: Electronic licenses can be used to purchase multiple licenses with a single activation key, and is available in all countries except China and Japan. Customers in China and Japan should order the physical equivalent.</p> <p>NOTE: Customer will receive a license entitlement certificate, which must be redeemed online or via fax in order to obtain the license activation key(s). Includes one year of 24 x 7 HP Software Technical Support Service.</p> <p>NOTE: For additional license kits, including electronic delivery options, please see the HP Integrated Lights-Out (iLO) QuickSpecs at: http://h18000.www1.hp.com/products/quickspecs/12362_div/12362_div.html</p>		
HP Insight Control server deployment		
HP Insight Control server deployment Electronic License including 1 year 24x7 Technical Support and Updates		T9082AAE
HP Insight Control server deployment 1-Server License including 1 year 24x7 Technical Support and Updates		452151-B21
<p>NOTE: Licenses ship without media. The Media Kit for Insight Control for Linux can be ordered separately, or can be downloaded at: http://www.hp.com/go/insightupdates.</p> <p>NOTE: Electronic licenses can be used to purchase multiple licenses with a single activation key, and is available in all countries except China and Japan. Customers</p>		

Additional Options

in China and Japan should order the physical equivalent.

NOTE: Customer will receive a license entitlement certificate, which must be redeemed online or via fax in order to obtain the license activation key(s). Includes one year of 24 x 7 HP Software Technical Support Service.

NOTE: For additional license kits please see the Insight Control QuickSpecs at: http://h18004.www1.hp.com/products/quickspecs/12631_div/12631_div.html

HP Security - TPM	HP Trusted Platform Module (TPM) Kit NOTE: The TPM key is unique to every TPM deployed server and must be retained. Misplacing or losing the key could result in data loss.	488069-B21
HP Storage Controller	HP Smart Array P700m/512 Controller HP Smart Array P700m/256 Controller Battery-backed write cache upgrade NOTE: Supports the HP ProLiant BL2x220c and BL685c G7 server blades. NOTE: Please see the QuickSpecs for Technical Specifications and additional configuration information at: http://h18000.www1.hp.com/products/quickspecs/13175_div/13175_div.html (Worldwide) HP Smart Array Advanced Pack No Media 1-Server license including 1yr 24x7 Technical Support NOTE: A license key, a minimum of 256MB cache, and battery kit is required to enable Smart Array Advanced Pack features. For more information go to: http://www.hp.com/go/saap	508226-B21 507925-B21 383280-B21 516471-B21
HP I/O Expansion Options	HP StorageWorks 80GB IO Accelerator for BladeSystem c-Class HP StorageWorks 160GB IO Accelerator for BladeSystem c-Class HP StorageWorks 320GB IO Accelerator for BladeSystem c-Class NOTE: Please see the QuickSpecs for Technical Specifications and additional information: http://h18000.www1.hp.com/products/quickspecs/13220_div/13220_div.html	AJ876A AJ877A AJ878A
HP InfiniBand Mezzanine Options	QLogic 4X QDR IB Dual Port Mezzanine HCA for HP BladeSystem c-Class HP 4X QDR IB CX2 Dual Port Mezz HCA for HP BladeSystem c-Class HP 4X DDR IB Dual Port Mezzanine HCA for HP BladeSystem c-Class NOTE: Please see the QuickSpecs for Technical Specifications and additional information: http://h18000.www1.hp.com/products/quickspecs/12586_div/12586_div.html	583210-B21 592519-B21 448262-B21
HP Ultrium Tape Blades	HP StorageWorks SB1760c Tape Blade NOTE: LTO-4 Ultrium tape technology HP StorageWorks SB920c Tape Blade NOTE: LTO-3 Ultrium tape technology NOTE: Please see the QuickSpecs for Technical Specifications and additional configuration information at: http://h18000.www1.hp.com/products/quickspecs/12729_div/12729_div.html NOTE: Please visit the BladeSystem c-Class enclosure QuickSpecs for a complete list of recommended data protection solutions for BladeSystem c-Class enclosures: http://www.hp.com/go/blades	AQ697A AJ401A
HP StorageWorks SB40c Storage Blade	HP StorageWorks SB40c Storage Blade NOTE: Please see the QuickSpecs for Technical Specifications and additional configuration information at: http://h18000.www1.hp.com/products/quickspecs/12587_div/12587_div.html (Worldwide)	411243-B21
HP Expansion Blade	HP PCI Expansion Blade NOTE: Ships with one pre-installed PCI-X connect board. Also includes one PCIe connect board which requires installation. NOTE: Please see the QuickSpecs for Technical Specifications and additional configuration information at: http://h18000.www1.hp.com/products/quickspecs/12753_div/12753_div.html	448018-B21

Additional Options

HP USB and SD Options	HP USB 2-Button Optical Scroll Mouse (Carbonite/Silver)	DC172B
	HP USB Standard Keyboard	DT528A#ABA
	HP 2GB USB Flash Media Drive Key	608447-B21

NOTE: HP qualified blank USB key for use with HP ProLiant servers that support the VMware virtualization environment and other HP value-add software like SmartStart. HP recommends this industry standard USB flash device for use with VMware ESXi. USB device must be installed in the internal slot of the ProLiant server for use with VMware ESXi. Refer to [HP VMware Getting Started Guide](#) for installation instructions.

HP Care Pack Services **NOTE:** The HP Care Pack service part numbers below for ProLiant BL c-Class server blades, cover the server blade and all HP branded hardware options qualified for the server, purchased at the same time or afterwards, internal to the server.

Hardware Services On-site Service

4-Hour On-site Service, 5-Day x 13-Hour Coverage, 3 Years, Electronic	UK108E
4-Hour On-site Service, 7-Day x 24-Hour Coverage, 3 Years, Electronic	UK109E
6-Hour Call to Repair, On-site Service, 7-Day x 24-Hour Coverage, 3 Years, Electronic	UK110E

Memory

NOTE: Memory configurations listed do not apply to "Factory Integrated Models".

DDR3 Memory Population Guidelines

For detailed memory configuration rules and guidelines, please use the Online DDR3 Memory Configuration Tool:

www.hp.com/go/ddr3memory-configurator

Some DIMM installation guidelines are summarized below:

- For the HP ProLiant BL685c G7 server blade with thirty-two (32) memory slots:
 - There are four (4) channels per processor; sixteen (16) channels per server
 - There are two (2) DIMM slots for each memory channel; thirty-two (32) total slots.
 - Memory channel 1 consists of the two (2) DIMMs that are furthest from the processor
 - Memory channel 4 consists of the two (2) DIMMs that are closest from the processor
- DIMM slots that are white should be populated first
- Do not install DIMMs if the corresponding processor is not installed
- If only two (2) processors are installed in a four (4) CPU system, only half of the DIMM slots are available
- To maximize performance, balance the total memory capacity between all installed processors
- To maximize performance, balance the total memory capacity on any given processor across the memory channels
- You may only have up to eight (8) ranks installed per channel
- You may install up to two (2) quad-rank DIMMs per channel
- If mixing DIMM voltage is a requirement, please note that the DIMMs will run at 1.5V since all 1.35V are capable of supporting 1.5V operations
- When running virtualization software, a minimum of two (2) DIMMs per processor are required. Populate DIMM sockets 1A and 5B for each processor socket populated.

DIMM slot/capacity/populated speed table						
DIMM Type	Registered DIMMS (RDIMMs)				Unbuffered with ECC DIMMs (UDIMMs)	
	Single Rank (1R)	Dual Rank (2R)	Quad Rank (4R)	Dual Rank (2R)		
DIMM Capacity	4GB	2GB	8GB	16GB	N/A	N/A
DIMM Native Speed (MHz)	1333	1333	1333	1066	N/A	N/A
DIMM Voltage	LV/Reg	Reg	LV/Reg	Reg	N/A	N/A
SLOTS THAT CAN BE POPULATED						
32 slot servers	32	32	32	32	N/A	N/A
MAXIMUM CAPACITY (GB)						
32 slot servers	128	64	256	512	N/A	N/A
POPULATED DIMM SPEED (MHz)						
1 DIMM Per Channel	1333	1333	1333	1066	N/A	N/A
2 DIMM Per Channel	1333	1333	1333	1066	N/A	N/A

NOTES:

- PC3-10600 DIMMs have a maximum speed of 1333MHz. PC3-8500 DIMMs have a maximum speed of 1066MHz.
- If you do mix DIMM speeds, the memory bus will default to the minimum clock rate of all DIMMs in the system - even if the slower DIMM is on the other processor
- If you install 1x 1066MHz DIMM in channel 1 and 1x 1333MHz DIMM in channel 2, the maximum speed will be 1066MHz
- If you install 1x 1066MHz DIMM in channel 1 and 7x 1333MHz DIMMs with 1 DIMM Per Channel (DPC) in each of the other channels, the maximum speed will be 1066MHz
- References to the above MHz speeds are for the various speeds of DDR3 DIMMs; 1333 refers to DDR3-1333, etc.

HP ProLiant BL685 G7 Server Blade DIMM slot and configuration diagrams

Basic memory slot and population diagram

- Population order; start with "A" first, "B" second, "C" third, etc.

Memory

32 DIMM SLOTS (8 per CPU node)						
		CPU1		CPU2		
		slot #	population order	slot #	population order	
Chnl 1	1	A	1	A	Chnl 1	
	2	E	2	E		
Chnl 2	3	C	3	C	Chnl 2	
	4	G	4	G		
Chnl 3	5	B	5	B	Chnl 3	
	6	F	6	F		
Chnl 4	7	D	7	D	Chnl 4	
	8	H	8	H		
		CPU3		CPU4		
		slot #	population order	slot #	population order	
Chnl 1	1	A	1	A	Chnl 1	
	2	E	2	E		
Chnl 2	3	C	3	C	Chnl 2	
	4	G	4	G		
Chnl 3	5	B	5	B	Chnl 3	
	6	F	6	F		
Chnl 4	7	D	7	D	Chnl 4	
	8	H	8	H		

HP ProLiant BL685c G7 Server Blade (4P Model)

Standard memory configuration (4 CPU model)

- 32GB, consisting of eight (8) 4GB single-rank PC3-10600 RDIMMs

		CPU1		CPU2		
		slot #	population order	slot #	population order	
Chnl 1	1	A: 4GB DIMM	1	A: 4GB DIMM	Chnl 1	
	2	E: empty	2	E: empty		
Chnl 2	3	C: empty	3	C: empty	Chnl 2	
	4	G: empty	4	G: empty		
Chnl 3	5	B: 4GB DIMM	5	B: 4GB DIMM	Chnl 3	
	6	F: empty	6	F: empty		
Chnl 4	7	D: empty	7	D: empty	Chnl 4	
	8	H: empty	8	H: empty		
		CPU3		CPU4		
		slot #	population order	slot #	population order	
Chnl 1	1	A: 4GB DIMM	1	A: 4GB DIMM	Chnl 1	
	2	E: empty	2	E: empty		
Chnl 2	3	C: empty	3	C: empty	Chnl 2	
	4	G: empty	4	G: empty		
Chnl 3	5	B: 4GB DIMM	5	B: 4GB DIMM	Chnl 3	
	6	F: empty	6	F: empty		
Chnl 4	7	D: empty	7	D: empty	Chnl 4	
	8	H: empty	8	H: empty		

Standard memory configuration (4 CPU model)

- 64GB, consisting of sixteen (16) 4GB single-rank PC3-10600 RDIMMs

Memory

	CPU1		CPU2		
	slot #	population order	slot #	population order	
Chnl 1	1	A: 4GB DIMM	1	A: 4GB DIMM	Chnl 1
	2	E: empty	2	E: empty	
Chnl 2	3	C: 4GB DIMM	3	C: 4GB DIMM	Chnl 2
	4	G: empty	4	G: empty	
Chnl 3	5	B: 4GB DIMM	5	B: 4GB DIMM	Chnl 3
	6	F: empty	6	F: empty	
Chnl 4	7	D: 4GB DIMM	7	D: 4GB DIMM	Chnl 4
	8	H: empty	8	H: empty	
	CPU3		CPU4		
	slot #	population order	slot #	population order	
Chnl 1	1	A: 4GB DIMM	1	A: 4GB DIMM	Chnl 1
	2	E: empty	2	E: empty	
Chnl 2	3	C: 4GB DIMM	3	C: 4GB DIMM	Chnl 2
	4	G: empty	4	G: empty	
Chnl 3	5	B: 4GB DIMM	5	B: 4GB DIMM	Chnl 3
	6	F: empty	6	F: empty	
Chnl 4	7	D: 4GB DIMM	7	D: 4GB DIMM	Chnl 4
	8	H: empty	8	H: empty	

Standard Memory Plus Optional Memory (4 CPU model)

- 416GB, consisting of two (2) 4GB RDIMMs plus six (6) 16GB RDIMMs
 - 8 x 4GB single-rank PC3-10600 RDIMMs
 - 24 x 16GB quad-rank PC3-8500 RDIMMs

	CPU1		CPU2		
	slot #	population order	slot #	population order	
Chnl 1	1	A: 4GB DIMM	1	A: 4GB DIMM	Chnl 1
	2	E: 16GB DIMM	2	E: 16GB DIMM	
Chnl 2	3	C: 16GB DIMM	3	C: 16GB DIMM	Chnl 2
	4	G: 16GB DIMM	4	G: 16GB DIMM	
Chnl 3	5	B: 4GB DIMM	5	B: 4GB DIMM	Chnl 3
	6	F: 16GB DIMM	6	F: 16GB DIMM	
Chnl 4	7	D: 16GB DIMM	7	D: 16GB DIMM	Chnl 4
	8	H: 16GB DIMM	8	H: 16GB DIMM	
	CPU3		CPU4		
	slot #	population order	slot #	population order	
Chnl 1	1	A: 4GB DIMM	1	A: 4GB DIMM	Chnl 1
	2	E: 16GB DIMM	2	E: 16GB DIMM	
Chnl 2	3	C: 16GB DIMM	3	C: 16GB DIMM	Chnl 2
	4	G: 16GB DIMM	4	G: 16GB DIMM	
Chnl 3	5	B: 4GB DIMM	5	B: 4GB DIMM	Chnl 3
	6	F: 16GB DIMM	6	F: 16GB DIMM	
Chnl 4	7	D: 16GB DIMM	7	D: 16GB DIMM	Chnl 4
	8	H: 16GB DIMM	8	H: 16GB DIMM	

Standard Memory Plus Optional Memory (4 CPU model)

- 320GB, consisting of two (2) 4GB RDIMMs plus six (6) 16GB RDIMMs
 - 16 x 4GB single-rank PC3-10600 RDIMMs
 - 16 x 16GB quad-rank PC3-8500 RDIMMs

Memory

	CPU1		CPU2		
	slot #	population order	slot #	population order	
Chnl 1	1	A: 4GB DIMM	1	A: 4GB DIMM	Chnl 1
	2	E: 16GB DIMM	2	E: 16GB DIMM	
Chnl 2	3	C: 4GB DIMM	3	C: 4GB DIMM	Chnl 2
	4	G: 16GB DIMM	4	G: 16GB DIMM	
Chnl 3	5	B: 4GB DIMM	5	B: 4GB DIMM	Chnl 3
	6	F: 16GB DIMM	6	F: 16GB DIMM	
Chnl 4	7	D: 4GB DIMM	7	D: 4GB DIMM	Chnl 4
	8	H: 16GB DIMM	8	H: 16GB DIMM	
		CPU3			
		slot #	population order	slot #	population order
Chnl 1	1	A: 4GB DIMM	1	A: 4GB DIMM	Chnl 1
	2	E: 16GB DIMM	2	E: 16GB DIMM	
Chnl 2	3	C: 4GB DIMM	3	C: 4GB DIMM	Chnl 2
	4	G: 16GB DIMM	4	G: 16GB DIMM	
Chnl 3	5	B: 4GB DIMM	5	B: 4GB DIMM	Chnl 3
	6	F: 16GB DIMM	6	F: 16GB DIMM	
Chnl 4	7	D: 4GB DIMM	7	D: 4GB DIMM	Chnl 4
	8	H: 16GB DIMM	8	H: 16GB DIMM	

Standard Memory Replaced with Optional Memory (4 CPU Model) RDIMM maximum configuration

- 512GB, consisting of sixteen (16) 16GB quad-rank PC3-8500 RDIMMs

	CPU1		CPU2		
	slot #	population order	slot #	population order	
Chnl 1	1	A: 16GB DIMM	1	A: 16GB DIMM	Chnl 1
	2	E: 16GB DIMM	2	E: 16GB DIMM	
Chnl 2	3	C: 16GB DIMM	3	C: 16GB DIMM	Chnl 2
	4	G: 16GB DIMM	4	G: 16GB DIMM	
Chnl 3	5	B: 16GB DIMM	5	B: 16GB DIMM	Chnl 3
	6	F: 16GB DIMM	6	F: 16GB DIMM	
Chnl 4	7	D: 16GB DIMM	7	D: 16GB DIMM	Chnl 4
	8	H: 16GB DIMM	8	H: 16GB DIMM	
		CPU3			
		slot #	population order	slot #	population order
Chnl 1	1	A: 16GB DIMM	1	A: 16GB DIMM	Chnl 1
	2	E: 16GB DIMM	2	E: 16GB DIMM	
Chnl 2	3	C: 16GB DIMM	3	C: 16GB DIMM	Chnl 2
	4	G: 16GB DIMM	4	G: 16GB DIMM	
Chnl 3	5	B: 16GB DIMM	5	B: 16GB DIMM	Chnl 3
	6	F: 16GB DIMM	6	F: 16GB DIMM	
Chnl 4	7	D: 16GB DIMM	7	D: 16GB DIMM	Chnl 4
	8	H: 16GB DIMM	8	H: 16GB DIMM	

NOTE: Capacity references are rounded to the common Gigabyte values.

- 2GB = 2048MB
- 4GB = 4096MB
- 8GB = 8192MB
- 16GB = 16384MB

Memory

HP Memory

Registered DIMMs (RDIMMs)

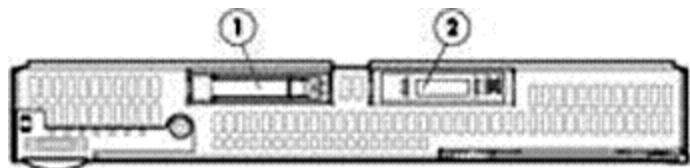
HP 4GB (1x4GB) Single Rank x4 PC3-10600 (DDR3-1333) Registered CAS-9 Memory Kit	593911-B21
HP 4GB (1x4GB) Single Rank x4 PC3L-10600 (DDR3-1333) Registered CAS-9 Low Power Memory Kit	604500-B21
HP 8GB (1x8GB) Dual Rank x4 PC3-10600 (DDR3-1333) Registered CAS-9 Memory Kit	593913-B21
HP 8GB (1x8GB) Dual Rank x4 PC3L-10600 (DDR3-1333) Registered CAS-9 Low Power Memory Kit	604502-B21
HP 16GB (1x16GB) Quad Rank x4 PC3-8500 (DDR3-1066) Registered CAS-7 Memory Kit	593915-B21

NOTE: All DDR3 memory option kits consist of one DIMM per kit. For detailed memory configuration rules and guidelines, please use the Online DDR3 Memory Configuration Tool: www.hp.com/go/ddr3memory-configurator

NOTE: Kits described as PC3L include Low Power DIMMs. For more information on ProLiant Energy Efficient Features, see: www.hp.com/go/proliant-energy-efficient

NOTE: Each processor memory bus will operate at up to 1333 MHz with either one quad-rank (QR) or two single-rank/dual-rank (SR/DR) DIMMs per processor memory channel and 1066 MHz with up to two QR or one QR and one SR/DR DIMMs per processor memory channel with standard voltage (1.5V, PC3) DIMMs. Memory bus will operate one speed slower when low voltage (1.35V, PC3L) memory is installed. Memory bus speeds may be further limited by the speed of the memory used as well.

Storage



1-2 2 x SFF SAS or SATA Hot Plug Hard Drives, or
2 x SFF SATA Hot Plug SSD Drives

Hard Drives

NOTE: The components of a storage subsystem (e.g. the drive, the HBA/controller, firmware, and the server backplane) should operate at the same data transfer rate or the system bandwidth will be negotiated down to an acceptable level for all components

NOTE: Simultaneous operation of hot plug hard drives and solid state drives is not supported.

NOTE: Hard drives have either a one year or three year warranty; refer to the specific hard drive QuickSpecs for details.

SAS Hot Plug SFF (2.5-inch) Enterprise (ENT) Drives

	Quantity Supported	Position Supported	Controller
300GB 6G SAS 10K DP	2	1-2	Smart Array P410i Controller
146GB 6G SAS 15K DP			
146GB 6G SAS 10K DP			
72GB 6G SAS 15K DP			

SAS Hot Plug SFF (2.5-inch) Midline (MDL) Drives

	Quantity Supported	Position Supported	Controller
500GB 6G SAS 7.2K DP	2	1-2	Smart Array P410i Controller

SATA Hot Plug SFF (2.5-inch) Midline (MDL) Drives

	Quantity Supported	Position Supported	Controller
500GB 3G SATA 7.2K	2	1-2	Smart Array P410i Controller
160GB 3G SATA 7.2K			

SATA Hot Plug Midline (MDL) Solid State Drives

	Quantity Supported	Position Supported	Controller
120GB 3G SATA SSD	2	1-2	Smart Array P410i Controller
60GB 3G SATA SSD			

Technical Specifications

System Unit	Dimensions (H x W x D)	14.42 x 2.19 x 20.058 (36.63 x 2.19 x 50.95 cm)								
	Weight (approximate)	<table border="0"> <tr> <td style="padding-right: 20px;">Maximum</td> <td>27 lbs (12.25 kg)</td> </tr> <tr> <td colspan="2">(all hard drives, DIMMs, and processors installed)</td> </tr> <tr> <td style="padding-right: 20px;">Minimum</td> <td>19.2 lbs (8.71 kg)</td> </tr> <tr> <td colspan="2">(no hard drives, two processors and four DIMMs)</td> </tr> </table>	Maximum	27 lbs (12.25 kg)	(all hard drives, DIMMs, and processors installed)		Minimum	19.2 lbs (8.71 kg)	(no hard drives, two processors and four DIMMs)	
Maximum	27 lbs (12.25 kg)									
(all hard drives, DIMMs, and processors installed)										
Minimum	19.2 lbs (8.71 kg)									
(no hard drives, two processors and four DIMMs)										
	Power Specifications	<p>For power specifications including input requirements, BTU rating, and power supply output, please see the HP BladeSystem c-Class Enclosures QuickSpecs located at: HP BladeSystem c3000 Enclosure QuickSpecs: http://h18000.www1.hp.com/products/quickspecs/12790_div/12790_div.html HP BladeSystem c7000 Enclosure QuickSpecs: http://h18000.www1.hp.com/products/quickspecs/12810_div/12810_div.html</p> <p>To review typical system power ratings use the HP BladeSystem Power Sizer available at: http://www.hp.com/go/ bladesystem/powercalculator</p> <p>NOTE: For optimal cooling and system performance the BL685c G7 requires the c7000 enclosure to be configured with 10 fans and the c3000 enclosure to be configured with 6 fans.</p>								
	System Inlet Temperature	<table border="0"> <tr> <td style="padding-right: 20px;">Operating</td> <td>10° to 35°C (50° to 95°F) at sea level with an altitude derating of 1.0°C per every 305 m (1.8°F per every 1000 ft) above sea level to a maximum of 3050 m (10,000 ft), no direct sustained sunlight. Maximum rate of change is 10°C/hr (18°F/hr). The upper limit may be limited by the type and number of options installed. System performance may be reduced if operating with a fan fault or above 30°C (86°F).</td> </tr> <tr> <td style="padding-right: 20px;">Non-operating</td> <td>-30° to 60°C (-22° to 140°F), maximum rate of change is 20°C/hr (36°F/hr).</td> </tr> </table>	Operating	10° to 35°C (50° to 95°F) at sea level with an altitude derating of 1.0°C per every 305 m (1.8°F per every 1000 ft) above sea level to a maximum of 3050 m (10,000 ft), no direct sustained sunlight. Maximum rate of change is 10°C/hr (18°F/hr). The upper limit may be limited by the type and number of options installed. System performance may be reduced if operating with a fan fault or above 30°C (86°F).	Non-operating	-30° to 60°C (-22° to 140°F), maximum rate of change is 20°C/hr (36°F/hr).				
Operating	10° to 35°C (50° to 95°F) at sea level with an altitude derating of 1.0°C per every 305 m (1.8°F per every 1000 ft) above sea level to a maximum of 3050 m (10,000 ft), no direct sustained sunlight. Maximum rate of change is 10°C/hr (18°F/hr). The upper limit may be limited by the type and number of options installed. System performance may be reduced if operating with a fan fault or above 30°C (86°F).									
Non-operating	-30° to 60°C (-22° to 140°F), maximum rate of change is 20°C/hr (36°F/hr).									
	Relative Humidity (non-condensing)	<table border="0"> <tr> <td style="padding-right: 20px;">Operating</td> <td>10 to 90% relative humidity (Rh), 28°C (82.4°F) maximum wet bulb temperature, non-condensing.</td> </tr> <tr> <td style="padding-right: 20px;">Non-operating</td> <td>10 to 95% relative humidity (Rh), 38.7°C (101.7°F) maximum wet bulb temperature, non-condensing.</td> </tr> </table>	Operating	10 to 90% relative humidity (Rh), 28°C (82.4°F) maximum wet bulb temperature, non-condensing.	Non-operating	10 to 95% relative humidity (Rh), 38.7°C (101.7°F) maximum wet bulb temperature, non-condensing.				
Operating	10 to 90% relative humidity (Rh), 28°C (82.4°F) maximum wet bulb temperature, non-condensing.									
Non-operating	10 to 95% relative humidity (Rh), 38.7°C (101.7°F) maximum wet bulb temperature, non-condensing.									
	Altitude	<table border="0"> <tr> <td style="padding-right: 20px;">Operating</td> <td>3050 m (10,000 ft). This value may be limited by the type and number of options installed. Maximum allowable altitude change rate is 457 m/min (1500 ft/min).</td> </tr> <tr> <td style="padding-right: 20px;">Non-operating</td> <td>9144 m (30,000 ft). Maximum allowable altitude change rate is 457 m/min (1500 ft/min).</td> </tr> </table>	Operating	3050 m (10,000 ft). This value may be limited by the type and number of options installed. Maximum allowable altitude change rate is 457 m/min (1500 ft/min).	Non-operating	9144 m (30,000 ft). Maximum allowable altitude change rate is 457 m/min (1500 ft/min).				
Operating	3050 m (10,000 ft). This value may be limited by the type and number of options installed. Maximum allowable altitude change rate is 457 m/min (1500 ft/min).									
Non-operating	9144 m (30,000 ft). Maximum allowable altitude change rate is 457 m/min (1500 ft/min).									
	Acoustic Noise	<p>For acoustic noise specifications, please see the HP BladeSystem c-Class Enclosures QuickSpecs located at: HP BladeSystem c3000 Enclosure QuickSpecs: http://h18000.www1.hp.com/products/quickspecs/12790_div/12790_div.html HP BladeSystem c7000 Enclosure QuickSpecs: http://h18000.www1.hp.com/products/quickspecs/12810_div/12810_div.html</p>								

Technical Specifications

HP Smart Array P410i Controller	Disk Drive and Enclosure Interface	6G SAS (Serial Attached SCSI) 3.0 G SATA (Serial Advanced Technology Attachment)	
	SAS Connectors	2 internal (SFF8484) x4 wide port connectors	
	Cache Memory Speed	DDR2-533MHz with 40 or 72-bit wide bus provides up to 4.2 GB/s maximum bandwidth.	
	Server Interface	x4 5G PCIe Gen2 provides 2 GB/s maximum bandwidth.	
	SAS Speed	x2 6G SAS provides 1.2 GB/s maximum bandwidth.	
	Cache Memory	72-bit 1GB cache; ECC protection, capacitor-backed	
	Logical Drives Supported	Up to 32 logical drives	
	Maximum Logical Drive Capacity	2 TB (2 x 1 TB)	
	Host Memory Addressing	64-bit, supporting greater than 4 GB server memory space	
	RAID Support	RAID 1 (Mirroring) RAID 0 (Striping)	
	Upgradeable Firmware	Upgradeable Firmware with recovery ROM feature	
	Integrated HP NC551i Dual Port FlexFabric 10Gb Converged Network Adapter	Type	Integrated dual-port KR 10GbE with FlexFabric (FCoE or iSCSI) capability
		Network Processor	Blade Engines 2 (BE2)
Data Transfer Method		x8 PCI Express 2.0	
Network Transfer Rate		Two ports, each at 20 Gbps full duplex; 40 Gbps aggregate full duplex theoretical bandwidth NOTE: Each port is autosensing 1 Gb / 10 Gb, and can interoperate with 1 Gb HP BladeSystem c-Class interconnect components. Both ports will operate at the same speed. NOTE: Each port on the NC551i adapter transmits from the server at 20 Gbps (theoretical) full duplex.	
IEEE Compliance		802.1p QoS, 802.1Q VLAN tagging, 802.3ad link aggregation, 802.3ap 10GBase-KR, and 802.3x flow control	
Standard Features		<ul style="list-style-type: none"> ProLiant Teaming including Network Fault Tolerance, Transmit Load Balancing, and Switch-Assisted Load Balancing 9K Jumbo frames (4K Jumbo frames when in FCoE mode) Microsoft Windows Receive Side Scaling (RSS) Accelerated FCoE or iSCSI 	
HP Integrated Lights-Out 3 (iLO 3) integrated on system board	Architecture	PCI Express based health and remote management ASIC	
	Processor	PCI Express RISC processor core running at 250MHz	
	Upgradeability	Option firmware upgradeable via Flash ROM	
	Video Support	1600 x 1200 DVR max resolution	
	Interfaces	One Ethernet network connection (10/100Mb/s)	
	Memory	128-MB DDR with ECC	
	Operating System Support	Microsoft Windows 2008 R2	
		Microsoft Windows 2008 (32 bit and 64 bit)	
		Microsoft Windows Server 2008 Standard Edition (32bit and 64bit)	
		Microsoft Windows Server 2008 Enterprise Edition (32bit and 64bit)	
Microsoft Windows Server 2003 and Windows Server 2003 R2, and Windows Server 2003 for Extended Systems Standard Edition, Enterprise Edition			
Red Hat Enterprise Linux 5.4 (32 bit and 64 bit)			
SUSE LINUX Enterprise Server 11 (32bit and 64bit) SUSE LINUX Enterprise Server 10 (32bit and 64bit)			
Client System Support	VMware ESX 4.0		
	VMware ESX 3.5.0		
	Microsoft Windows 7		
	Microsoft Windows XP Professional Edition		
	Microsoft Windows Vista Business and Ultimate Editions		
	Red Hat Enterprise Desktop 5.00		
	SUSE Linux Enterprise Desktop 11 SUSE Linux Enterprise Desktop 10		

Technical Specifications

Client Browser Support	Microsoft Internet Explorer 8 Microsoft Internet Explorer 7 Microsoft Internet Explorer 6 Firefox 3.5 (on supported Windows and Linux systems) Firefox 3.0 (on supported Windows and Linux systems)
Command Line Support	Secure Shell and serial port access Secure Socket Layer Secure Shell version 2
Security	Advanced Encryption Standard (AES) and Triple Data Encryption Standard (3DES) on browser, CLP and XML scripting interface AES encryption of video RC4 encryption of video
Directory Support Services	Active Directory v1.0 (Windows 2003)
Driver Support	HP ProLiant iLO3 Management Controller Driver Package
Management protocols supported	SNMP, IPMI 2.0 (system and LAN interface), DMTF Systems Management Architecture for Server Hardware Command Line Protocol (SMASH CLP), HP RIBCL XML

Environment-friendly Products and Approach

End-of-life Management and Recycling

Hewlett-Packard offers end-of-life HP product return, trade-in, and recycling programs in many geographic areas. For trade-in information, please go to: <http://www.hp.com/go/green>. To recycle your product, please go to: <http://www.hp.com/go/green> or contact your nearest HP sales office. Products returned to HP will be recycled, recovered or disposed of in a responsible manner.

The EU WEEE directive (2002/95/EC) requires manufacturers to provide treatment information for each product type for use by treatment facilities. This information (product disassembly instructions) is posted on the Hewlett Packard web site at: <http://www.hp.com/go/green>. These instructions may be used by recyclers and other WEEE treatment facilities as well as HP OEM customers who integrate and re-sell HP equipment.

© Copyright 2010 Hewlett-Packard Development Company, L.P.

The information contained herein is subject to change without notice.

Microsoft and Windows NT are US registered trademarks of Microsoft Corporation.

AMD, the AMD Arrow logo, AMD Opteron™, and combinations thereof, are trademarks of Advanced Micro Devices, Inc.

The only warranties for HP products and services are set forth in the express warranty statements accompanying such products and services. Nothing herein should be construed as constituting an additional warranty. HP shall not be liable for technical or editorial errors or omissions contained herein.

For hard drives, 1GB = 1 billion bytes. Actual formatted capacity is less.