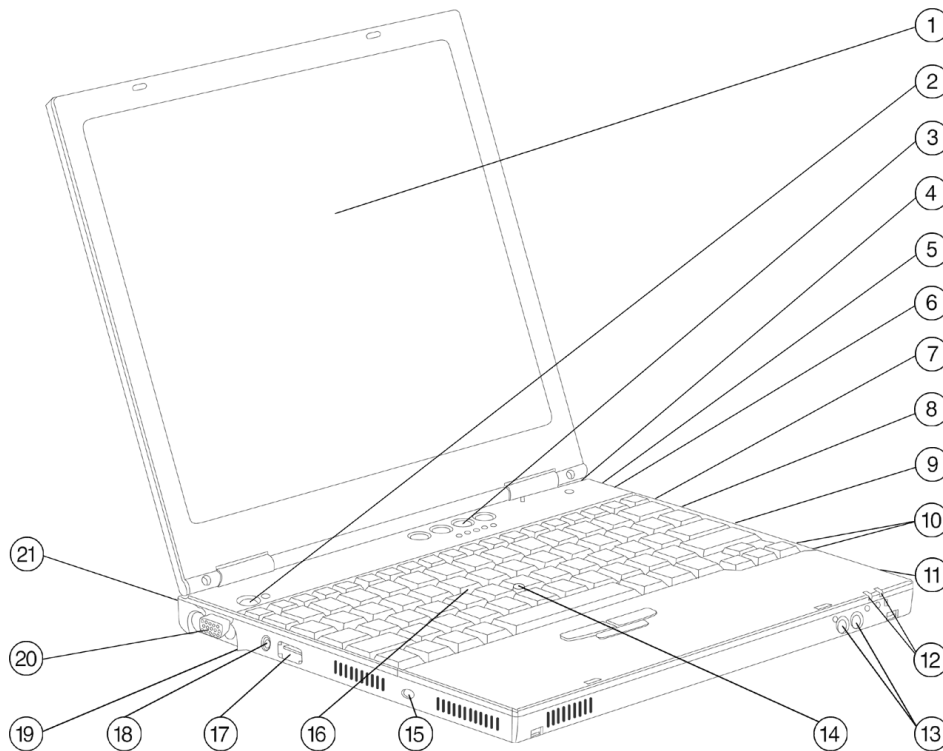
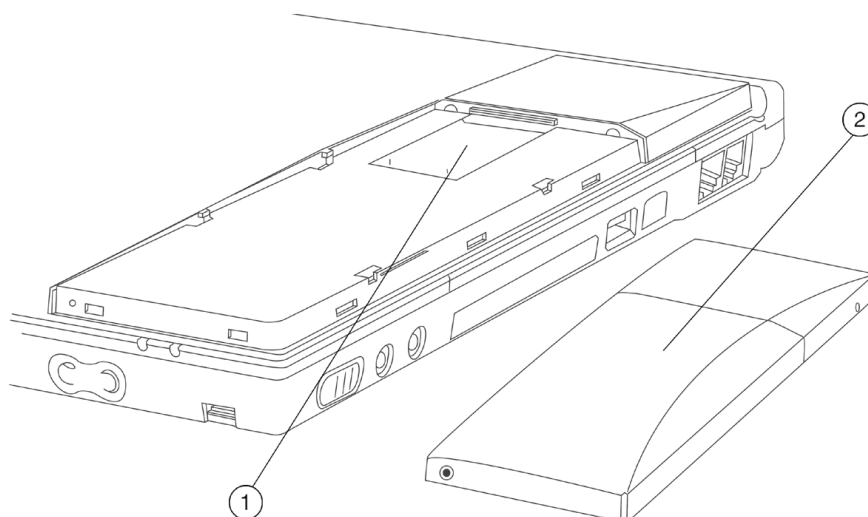


Overview



- | | |
|---|----------------------------------|
| 1. Color Display | 12. Power/Battery LEDs |
| 2. Suspend/Resume Button | 13. External Volume Control/Mute |
| 3. Easy Access Internet Buttons | 14. Point Stick Pointing Device |
| 4. Rear System Ports (Parallel, Serial, TV Out) | 15. Security Cable Slot |
| 5. RJ-11 | 16. Full-size Keyboard |
| 6. RJ-45 | 17. USB (2 of 2) |
| 7. IR | 18. AC Power Connector |
| 8. USB (1 of 2) | 19. Internal Lithium-Ion Battery |
| 9. PC Card Slot | 20. VGA Out Port |
| 10. Audio In/Out Jacks | 21. Secondary Battery Connector |
| 11. On/Off Button | |



- | | |
|------------------------|---------------------------|
| 1. Multiport Connector | 2. Multiport Module Cover |
|------------------------|---------------------------|

Overview

What's New

- Mobile Intel® Pentium® III 850 MHz processor with SpeedStep™ technology

At A Glance

- Weighs only 3.5 lb/1.59 kg
- Less than 1 in/2.3 cm thin
- 12.1-inch XGA TFT display
- 128-MB SDRAM upgradeable to 512 MB
- 20-GB User removable SMART hard drive
- Integrated mini PCI 56K V.90 modem plus 10/100 NIC
- Complete set of system ports
- Dual installation of Microsoft® Windows® XP Professional Edition and Microsoft Windows 2000, or Microsoft Windows 2000 preinstalled/Windows NT® 4.0 on CD, or Microsoft Windows 98 SE preinstalled
- Protected by a Three-year, Worldwide Limited Warranty — Certain restrictions and exclusions apply. Consult the Compaq Customer Support Center for details.

What's Special

- Ultra-light weight – 3.5 lb/1.59 kg
- Innovative MultiPort
- Full sized keyboard
- Support for up to four batteries*
- Optional Mobile Expansion Unit providing Multimedia, storage and enhanced security features
- Magnesium display enclosure
- Compatible with current Compaq enterprise docking solutions
- Industry leading PC lifecycle solutions

NOTE: * = Requires optional MEU.

Standard Features

Processor and Panel	850 MHz Mobile Intel Pentium III processor with SpeedStep technology with 256-KB L2 cache 700 MHz Low-Voltage Mobile Intel Pentium III processor with SpeedStep technology with 256-KB L2 cache 12.1-inch TFT XGA display with 1024x768 resolution up to 16.7M colors
Memory	Standard 128-MB SDRAM Maximum 512-MB SDRAM (with two slots) NOTE: Due to the non-industry standard nature of some third-party memory modules, we strongly recommend using only Compaq branded memory modules to ensure compatibility. NOTE: 256-MB and 512-MB 133-MHz memory are not compatible with the Evo Notebook N400c.
Communications	Type III Mini PCI 56K (V.90) modem plus 10/100 NIC Combo NOTE: Designed only to allow faster downloads from V.90 compliant sources. Maximum achievable download transmission rates currently do not reach 56 KB/s, and will vary with line conditions. NOTE: Communication availability is subject to country regulatory approval.
Keyboard	Full size desktop compatible keyboard, special feature hotkeys for instant access to power conservation, QuickLock/QuickBlank (ex: FN+F6), toggle between internal and external, or simultaneous displays, battery gauge, MultiPort on/off, speaker volume control, and brightness
Easy Access Internet Buttons	The Evo Notebook N400c comes with four Easy Access Buttons designed to increase customer productivity by providing one-touch access to helpful Compaq information, favorite Internet destinations, files, or applications.
Pointing Device	Choice of Pointstick or Touchpad
PC Card Slots	One Type II PC Card Slot that supports both 32-bit CardBus (Full support in Microsoft Windows 9.x and Windows 2000) and 16-bit PCMCIA Cards
Storage	Diskette Drives Optional 1.44-MB Diskette Drive* Optional 2X SuperDisk LS-120 Drive* Optical Drives DVD/CD-RW Combo Drive* CD-RW Drive* DVD-ROM Drive* CD-ROM Drive* Hard Drive 20-GB SMART NOTE: * = Requires optional Mobile Expansion Unit (MEU).

Standard Features

Multimedia

- Compaq Premier-Sound for enhanced stereo audio (with optional MEU)
- Integrated 16-bit Sound Blaster Pro-compatible stereo audio
- Integrated speaker and microphone
- External volume controls
- Headphone-out
- Microphone in
- Software MPEG1 support
- DVD movie playback software
- DVD-ROM Drive with DVD movie playback*
- DVD/CD-RW Combo Drive*
- CD-ROM Drive*
- 2X AGP Graphics
- 8-MB SDRAM

NOTE: * = Requires optional Mobile Expansion Unit (MEU).

Interfaces	MultiPort	1
	PC Card	One Type II
	Enhanced Parallel EPP/ECP	1
	Serial Port	1
	External Monitor	1
	TV-out	1
	Headphone/Line-out	1
	Microphone in	1
	AC Power	1
	RJ-11 (modem)	1 (Model dependent)
	RJ-45 (NIC)	1 (Model dependent)
	Infrared Port	1 (4 Mb/s support) (IrDA 4 MB compliant. IR performance will vary depending on performance of IR peripherals and application used.)
	USB Port	2
	LED status indicators	7

Graphics ATI Mobility M1 with 8-MB SDRAM

Display (External) Up to 32-bit per pixel color depth
Supports 640 x 480, 800 x 600, 1024 x 768, 1152 x 864, 1280 x 1024, or 1600 x 1200 resolutions up to 100-Hz refresh rate, dependent upon monitor capability, and resolution and color depth settings

Display (Internal) 12.1-inch TFT XGA display with 1024 x 768 resolution up to 16.7M colors

Operating System Dual installation of Microsoft Windows XP Professional Edition and Microsoft Windows 2000
One of the following
Microsoft Windows 2000 preinstalled/Microsoft Windows NT 4.0 on Quick Restore CD
Microsoft Windows 98 SE preinstalled

Standard Features

Software

Compaq Insight Management Agents
Diagnostics for Microsoft Windows
DVD Playback Software (with optional MEU)
Altiris eXpress™ Client
Compaq Power Management
Compaq Security Management
Safety and Comfort Guide
Acrobat Reader
Reference Guide

System Recovery

Each unit is shipped with a CD kit for quick recovery (erases hard disk and restores manufacturer installed image) and software recovery (installs only selected standard software).

Intelligent Manageability

Compaq Intelligent Manageability, a key component of PC Lifecycle Solutions, is the broad set of manageability features found on Compaq Deskpro EN desktops, Armada notebooks, Evo Clients, Professional Workstations, iPAQ Deskside and ProLiant server products. These best-in-class features on PC clients comply with industry standards, such as DMI and Wired for Management, while pioneering new ground in client manageability. Compaq introduced the industry's first line of manageable clients in 1995 and has been driving the industry ever since. With Compaq's lifecycle management philosophy, enterprises have all of the pieces for end-to-end management and proven tools for hassle-free management of PCs. The combination of these tools will significantly lower the Total Cost of Ownership of managing the computing environment. Intelligent Manageability offers solutions in the areas of Initial Configuration and Deployment, Asset Tracking and Security, Software Updating and Management, and Fault Notification and Recovery. For more information, visit these Compaq websites: <http://www.compaq.com/im>; <http://www.compaq.com/easydeploy>; <http://www.compaq.com/solutions/pcsolutions> **NOTE:** These Web sites are available in English only.

Security

Configuration Control Hardware
Memory Change Alert
Ownership Tag
Setup Password
Power-On Password
DriveLock
Enabled for PC SmartCard options

Power Supply

External AC Adapter (only 0.39 lb/0.18 kg, 6-foot/1.8 meter) power cord included. Total length including External AC adapter is 12 feet/3.66 meter

Battery

The Evo Notebook N400c 4-cell internal main Lithium-Ion battery provides over two hours of battery life; over four hours achieved using optional external battery.

NOTE: Actual results may vary with product model, configuration, and individual usage. Compaq results of 2:31 (hr:min) were achieved running the eTesting Labs Inc.'s BatteryMark™ Test version 4.0.1 on an N400c with an Intel Pentium III 700 MHz CPU, 12.1-inch XGA panel, 128-MB RAM, 20-GB HDD, 4-cell Lithium-Ion battery, and combination NIC/modem. System parameters were set according to Ziff Davis recommendations: panel brightness 50%, hard drive standby and video idle time three minutes, and Intel SpeedStep battery optimized mode.

NOTE: Actual results may vary with product model, configuration, and individual usage. Compaq results of 2:16 (hr:min) were achieved running the eTesting Labs Inc.'s BatteryMark Test version 4.0.1 on an N400c with an Intel Pentium III 850 MHz CPU, 12.1-inch XGA panel, 128-MB RAM, 20-GB HDD, 4-cell Lithium-Ion battery, and combination NIC/modem. System parameters were set according to Ziff Davis recommendations: panel brightness 50%, hard drive standby and video idle time 3 minutes, Intel SpeedStep battery optimized mode and battery conservation mode set to high.

NOTE: These tests were performed without independent verification by eTesting Labs Inc. eTesting Labs Inc. makes no representations or warranties as to the result of the test. BatteryMark is a trademark of Ziff Davis Publishing Holdings Inc. and affiliate of eTesting Labs Inc. in the U.S. and other countries.

Standard Features

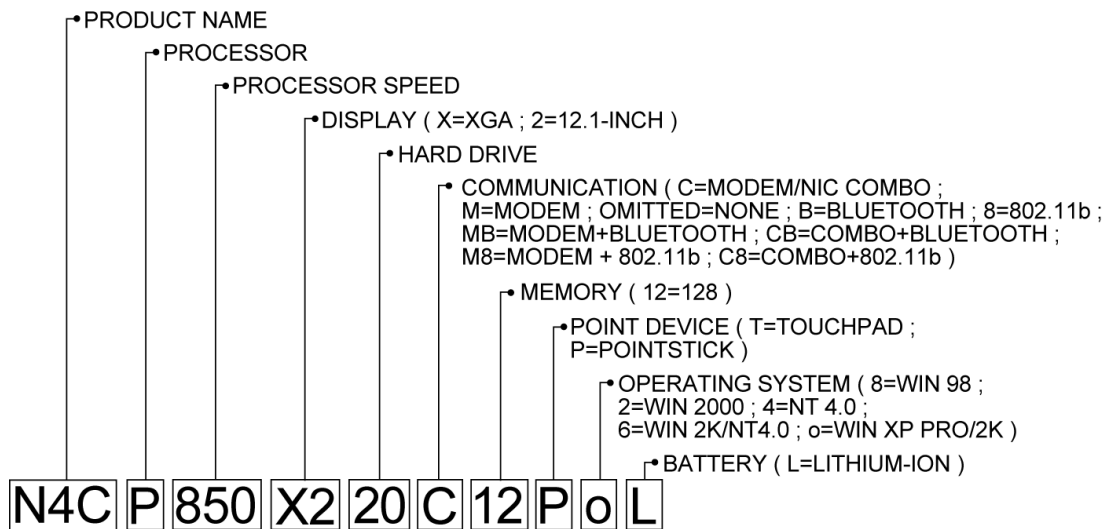
Power Conservation Intel SpeedStep technology (allows a Battery Optimized Mode where CPU draws 50% of normal power yet affords 70 to 80% of maximum PIII processing speed)
Hibernation
Instant-on via Standby
Pop-ups with three presets
One custom level of power conservation
ACPI compliant

MultiBay Devices (with optional MEU) MultiBay devices may be swapped with the system powered on (hot) or in suspend mode (warm) under Microsoft Windows 98 SE or Windows 2000 (except MultiBay Zip drive or MultiBay secondary hard drive).
MultiBay devices can be swapped with system power off under any supported operating system.
NOTE: Microsoft Windows NT 4.0 does not support hot swapping of the CD-RW drive.

MultiPort Integrated MultiPort expands functionality via user removable MultiPort Modules. MultiPort modules can provide integrated wireless communications and enhanced security features. MultiPort modules can be hot swapped with the system powered on (hot) or in suspend mode (warm) under any supported operating system. The MultiPort interface is based on the USB 1.1 Standard Specification
NOTE: Microsoft Windows NT does not support USB technology.

Service and Support Compaq Services includes a Three-year, Worldwide Limited Warranty, pick-up or carry-in, toll-free 7 x 24 hardware technical phone support. Optional services include upgrade to Three-year Standard Warranty, Onsite Warranty, or Application and Operating System Support.
Compaq Services includes a One-year Limited Warranty, whole-unit replacement through second business day, and pick-up and delivery. (Eligibility depends on geographic location.) Optional services include a one-year warranty extension Care Pack (FM-AMMAL-36 or 400514-002).
Optional services include a three, four or five-year warranty extension Care Pack (179404-022, 200786-022, 200787-022).
NOTE: Certain restrictions and exclusions apply. Consult the Compaq Customer Support Center for details.http://www.compaq.com/support/warranty_upgrades/product_specific_warranty.html
NOTE: This website is available in English only.

Naming Convention The Etymology of a Model name:



Standard Features

N4CP850X220C12P8L	Display	12.1-inch color TFT XGA
	Processor	Mobile Intel Pentium III 850 MHz
	Cache Memory	256-KB, L2 Cache
	Memory	Standard 128-MB SDRAM Maximum 512-MB SDRAM
	Optical Drive	None
	Hard Drive	20-GB SMART
	Modem	Type III Mini PCI 56K (V.90) modem plus 10/100 NIC Combo
	Graphics	ATI Mobility M 8-MB SDRAM
	Audio	Compaq Premier-Sound
	Operating System	Microsoft Windows 98SE
	MultiPort	Optional wireless modules available

N4CP850X220C12P6L	Display	12.1-inch color TFT XGA
	Processor	Mobile Intel Pentium III 850 MHz
	Cache Memory	256-KB, L2 Cache
	Memory	Standard 128-MB SDRAM Maximum 512-MB SDRAM
	Optical Drive	None
	Hard Drive	20-GB SMART
	Modem	Type III Mini PCI 56K (V.90) modem plus 10/100 NIC Combo
	Graphics	ATI Mobility M 8-MB SDRAM
	Audio	Compaq Premier-Sound
	Operating System	Microsoft Windows 2000/Windows NT 4.0
	MultiPort	Optional wireless modules available

N4CP850X220C12P8LN NAFTA	Display	12.1-inch color TFT XGA
	Processor	Mobile Intel Pentium III 850 MHz
	Cache Memory	256-KB, L2 Cache
	Memory	Standard 128-MB SDRAM Maximum 512-MB SDRAM
	Optical Drive	None
	Hard Drive	20-GB SMART
	Modem	Type III Mini PCI 56K (V.90) modem plus 10/100 NIC Combo
	Graphics	ATI Mobility M 8-MB SDRAM
	Audio	Compaq Premier-Sound
	Operating System	Microsoft Windows 98SE
	MultiPort	Optional wireless modules available

Standard Features

N4CP850X220C12P6LN NAFTA	Display	12.1-inch color TFT XGA
	Processor	Mobile Intel Pentium III 850 MHz
	Cache Memory	256-KB, L2 Cache
	Memory	Standard 128-MB SDRAM Maximum 512-MB SDRAM
	Optical Drive	None
	Hard Drive	20-GB SMART
	Modem	Type III Mini PCI 56K (V.90) modem plus 10/100 NIC Combo
	Graphics	ATI Mobility M 8-MB SDRAM
	Audio	Compaq Premier-Sound
	Operating System	Microsoft Windows 2000/Windows NT 4.0
	MultiPort	Optional wireless modules available

N4CP850X220N12P8L No Modem	Display	12.1-inch color TFT XGA
	Processor	Mobile Intel Pentium III 850 MHz
	Cache Memory	256-KB, L2 Cache
	Memory	Standard 128-MB SDRAM Maximum 512-MB SDRAM
	Optical Drive	None
	Hard Drive	20-GB SMART
	Modem	No modem
	Graphics	ATI Mobility M 8-MB SDRAM
	Audio	Compaq Premier-Sound
	Operating System	Microsoft Windows 98SE
	MultiPort	Optional wireless modules available

N4CP850X220N12P6L No Modem	Display	12.1-inch color TFT XGA
	Processor	Mobile Intel Pentium III 850 MHz
	Cache Memory	256-KB, L2 Cache
	Memory	Standard 128-MB SDRAM Maximum 512-MB SDRAM
	Optical Drive	None
	Hard Drive	20-GB SMART
	Modem	No modem
	Graphics	ATI Mobility M 8-MB SDRAM
	Audio	Compaq Premier-Sound
	Operating System	Microsoft Windows 2000/Windows NT 4.0
	MultiPort	Optional wireless modules available

Standard Features

N4CP850X220N25PoL No Modem	Display	12.1-inch color TFT XGA	
	Processor	Mobile Intel Pentium III 850 MHz	
	Cache Memory	256-KB, L2 Cache	
	Memory	Standard	256-MB SDRAM
		Maximum	512-MB SDRAM
	Optical Drive	None	
	Hard Drive	20-GB SMART	
	Modem	No modem	
	Graphics	ATI Mobility M 8-MB SDRAM	
	Audio	Compaq Premier Sound	
	Operating System	Microsoft Windows XP/Windows 2000	
	MultiPort	Optional wireless modules available	

N4CP850X220C25PoL	Display	12.1-inch color TFT XGA	
	Processor	Mobile Intel Pentium III 850 MHz	
	Cache Memory	256-KB, L2 Cache	
	Memory	Standard	256-MB SDRAM
		Maximum	512-MB SDRAM
	Optical Drive	None	
	Hard Drive	20-GB SMART	
	Modem	Type III Mini PCI 56K (V.90) modem plus 10/100 NIC Combo	
	Graphics	ATI Mobility M 8-MB SDRAM	
	Audio	Compaq Premier Sound	
	Operating System	Microsoft Windows XP/Windows 2000	
	MultiPort	Optional wireless modules available	

N4CP850X220C25PoLN NAFTA	Display	12.1-inch color TFT XGA	
	Processor	Mobile Intel Pentium III 850 MHz	
	Cache Memory	256-KB, L2 Cache	
	Memory	Standard	256-MB SDRAM
		Maximum	512-MB SDRAM
	Optical Drive	None	
	Hard Drive	20-GB SMART	
	Modem	Type III Mini PCI 56K (V.90) modem plus 10/100 NIC Combo	
	Graphics	ATI Mobility M 8-MB SDRAM	
	Audio	Compaq Premier Sound	
	Operating System	Microsoft Windows XP/Windows 2000	
	MultiPort	Optional wireless modules available	

Standard Features

			PIII 850	PIII 850	PIII 850	PIII 850
			12.1-inch XGA TFT	12.1-inch XGA TFT	12.1-inch XGA TFT	12.1-inch XGA TFT
			128-MB RAM	256-MB RAM	256-MB RAM	256-MB RAM
			20 GB	20 GB	20 GB	20 GB
			Combo	No modem	Combo	Combo
NORTH AMERICA						
US	N4CP850X220C12P8 LN-NAFTA	Windows 98	470022-648			
	N4CP850X220C12P6 LN-NAFTA	Windows 2000/NT 4.0	470022-718			
	N4CP850X220C12P8L	Windows 98	470022-682			
	N4CP850X220C12P6L	Windows 2000/NT 4.0	470022-683			
	N4CP850X220C25PoLN-NAFTA	Windows XP Pro/2000			470026-531	
	N4CP850X220C25PoL	Windows XP Pro/2000				470026-529
Fr Canada	N4CP850X220C12P8L	Windows 98	470022-649			
	N4CP850X220C12P6L	Windows 2000/NT 4.0	470022-684			
	N4CP850X220C25PoL	Windows XP Pro/2000				470026-533
EUROPE/MIDDLE EAST/AFRICA						
Belgium-FR/NL/US	N4CP850X220C12P8L	Windows 98	470022-650			
	N4CP850X220C12P6L	Windows 2000/NT 4.0	470022-685			
Czech Republic	N4CP850X220C12P8L	Windows 98	470022-651			
	N4CP850X220C12P6L	Windows 2000/NT 4.0	470022-686			
Denmark	N4CP850X220C12P8L	Windows 98	470022-652			
	N4CP850X220C12P6L	Windows 2000/NT 4.0	470022-687			
Euro	N4CP850X220C12P8L -No Modem	Windows 98	470022-653			
	N4CP850X220C12P6L -No Modem	Windows 2000/NT 4.0	470022-688			
	N4CP850X220N25PoL -No modem	Windows XP Pro/2000		470026-527		
France	N4CP850X220C12P8L	Windows 98	470022-654			
	N4CP850X220C12P6L	Windows 2000/NT 4.0	470022-689			
	N4CP850X220C25PoL	Windows XP Pro/2000				470026-534
Germany	N4CP850X220C12P8L	Windows 98	470022-655			
	N4CP850X220C12P6L	Windows 2000/NT 4.0	470022-690			
	N4CP850X220C25PoL	Windows XP Pro/2000				470026-535
Greece/Poland	N4CP850X220C12P8L	Windows 98	470022-656			
	N4CP850X220C12P6L	Windows 2000/NT 4.0	470022-691			
Hungary	N4CP850X220C12P8L	Windows 98	470022-657			
	N4CP850X220C12P6L	Windows 2000/NT 4.0	470022-692			
Israel	N4CP850X220C12P8L	Windows 98	470022-658			
	N4CP850X220C12P6L	Windows 2000/NT 4.0	470022-693			

Standard Features

Italy	N4CP850X220C12P8L	Windows 98	470022-659			
	N4CP850X220C12P6L	Windows 2000/NT 4.0	470022-694			
	N4CP850X220C25PoL	Windows XP Pro/2000				470026-536
Middle East	N4CP850X220C12P8L	Windows 98	470022-660			
	N4CP850X220C12P6L	Windows 2000/NT 4.0	470022-695			
Netherlands	N4CP850X220C12P8L	Windows 98	470022-661			
	N4CP850X220C12P6L	Windows 2000/NT 4.0	470022-696			
Norway	N4CP850X220C12P8L	Windows 98	470022-662			
	N4CP850X220C12P6L	Windows 2000/NT 4.0	470022-697			
Portugal	N4CP850X220C12P8L	Windows 98	470022-663			
	N4CP850X220C12P6L	Windows 2000/NT 4.0	470022-698			
Russian	N4CP850X220C12P8L	Windows 98	470022-664			
	N4CP850X220C12P6L	Windows 2000/NT 4.0	470022-699			
Slovak, Slovenian	N4CP850X220C12P8L	Windows 98	470022-665			
	N4CP850X220C12P6L	Windows 2000/NT 4.0	470022-700			
Spain	N4CP850X220C12P8L	Windows 98	470022-667			
	N4CP850X220C12P6L	Windows 2000/NT 4.0	470022-701			
Sweden/Finland	N4CP850X220C12P8L	Windows 98	470022-668			
	N4CP850X220C12P6L	Windows 2000/NT 4.0	470022-702			
Swiss 1-FR/GR/US	N4CP850X220C12P6L	Windows 2000/NT 4.0	470022-703			
	N4CP850X220C25PoL	Windows XP Pro/2000				470026-749
Swiss 2-FR/GR/IT	N4CP850X220C12P6L	Windows 2000/NT 4.0	470022-704			
	N4CP850X220C25PoL	Windows XP Pro/2000				470026-750
Turkey	N4CP850X220C12P8L	Windows 98	470022-669			
	N4CP850X220C12P6L	Windows 2000/NT 4.0	470022-705			
UK	N4CP850X220C12P8L	Windows 98	470022-670			
	N4CP850X220C12P6L	Windows 2000/NT 4.0	470022-706			
	N4CP850X220C25PoL	Windows XP Pro/2000				470026-537
CKK						
Japan-Jpn	N4CP850X220C12P8L	Windows 98	470022-671			
	N4CP850X220C12P6L	Windows 2000/NT 4.0	470022-707			
	N4CP850X220C25PoL	Windows XP Pro/2000				470026-693
Japan-Eng	N4CP850X220C12P8L	Windows 98	470022-672			
	N4CP850X220C12P6L	Windows 2000/NT 4.0	470022-708			
	N4CP850X220C25PoL	Windows XP Pro/2000				470026-694
LATIN AMERICA						
LTNA	N4CP850X220C12P8 LN-NAFTA	Windows 98	470022-673			
	N4CP850X220C12P6 LN-NAFTA	Windows 2000/NT 4.0	470022-709			

Standard Features

	N4CP850X220C12P8L	Windows 98	470022-674		
	N4CP850X220C12P6L	Windows 2000/NT 4.0	470022-710		
	N4CP850X220C25Po LN-NAFTA	Windows XP Pro/2000		470026-532	
	N4CP850X220C25PoL	Windows XP Pro/2000			470026-695
BRAZIL	N4CP850X220C12P8L	Windows 98	470022-675		
	N4CP850X220C12P6L	Windows 2000/NT 4.0	470022-711		
ASIA PACIFIC					
APD - THAI	N4CP850X220C12P8L -No modem	Windows 98	470022-945		
	N4CP850X220C12P6 LL-No modem	Windows 2000/NT 4.0	470022-946		
	N4CP850X220C12P8L	Windows 98	470022-676		
	N4CP850X220C12P6L	Windows 2000/NT 4.0	470022-712		
	N4CP850X220N25PoL -No modem	Windows XP Pro/2000		470026-528	
	N4CP850X220C25PoL	Windows XP Pro/2000			470026-697
Australia	N4CP850X220C12P8L	Windows 98	470022-677		
	N4CP850X220C12P6L	Windows 2000/NT 4.0	470022-713		
	N4CP850X220C25PoL	Windows XP Pro/2000			470026-698
GREATER CHINA					
PRC	N4CP850X220C12P8L	Windows 98	470022-678		
	N4CP850X220C12P6L	Windows 2000/NT 4.0	470022-714		
Taiwan	N4CP850X220C12P8L	Windows 98	470022-679		
	N4CP850X220C12P6L	Windows 2000/NT 4.0	470022-715		
Hong Kong	N4CP850X220C12P8L	Windows 98	470022-680		
	N4CP850X220C12P6L	Windows 2000/NT 4.0	470022-716		
Korea	N4CP850X220C12P8L	Windows 98	470022-681		
	N4CP850X220C12P6L	Windows 2000/NT 4.0	470022-717		

Standard Features

Models

United States

N4CP700X220C12P8LN PN# 470013-683	Display	12.1-inch color TFT XGA
NAFTA UPC# 720591810115	Processor	Low Voltage Mobile Intel Pentium III 700 MHz
	Cache Memory	256-KB, L2 Cache
	Memory	Standard 128-MB SDRAM Maximum 512-MB SDRAM
	Optical Drive	None
	Hard Drive	20-GB SMART
	Modem	Type III Mini PCI 56K (V.90) modem plus 10/100 NIC Combo
	Graphics	ATI Mobility M 8-MB SDRAM
	Audio	Compaq Premier-Sound
	Operating System	Microsoft Windows 98SE
	MultiPort	Optional wireless modules available

N4CP700X220C12P6LN PN# 470013-689	Display	12.1-inch color TFT XGA
NAFTA UPC# 720591810177	Processor	Low Voltage Mobile Intel Pentium III 700 MHz
	Cache Memory	256-KB, L2 Cache
	Memory	Standard 128-MB SDRAM Maximum 512-MB SDRAM
	Optical Drive	None
	Hard Drive	20-GB SMART
	Modem	Type III Mini PCI 56K (V.90) modem plus 10/100 NIC Combo
	Graphics	ATI Mobility M 8-MB SDRAM
	Audio	Compaq Premier-Sound
	Operating System	Microsoft Windows 2000/Windows NT 4.0
	MultiPort	Optional wireless modules available

N4CP700X220C12P8L PN# 470013-470 UPC# 720591804749	Display	12.1-inch color TFT XGA
	Processor	Low Voltage Mobile Intel Pentium III 700 MHz
	Cache Memory	256-KB, L2 Cache
	Memory	Standard 128-MB SDRAM Maximum 512-MB SDRAM
	Optical Drive	None
	Hard Drive	20-GB SMART
	Modem	Type III Mini PCI 56K (V.90) modem plus 10/100 NIC Combo
	Graphics	ATI Mobility M 8-MB SDRAM
	Audio	Compaq Premier-Sound
	Operating System	Microsoft Windows 98SE
	MultiPort	Optional wireless modules available

Standard Features

N4CP700X220C12P6L
PN# 470013-471
UPC# 72059104756

Display	12.1-inch color TFT XGA
Processor	Low Voltage Mobile Intel Pentium III 700 MHz
Cache Memory	256-KB, L2 Cache
Memory	Standard 128-MB SDRAM Maximum 512-MB SDRAM
Optical Drive	None
Hard Drive	20-GB SMART
Modem	Type III Mini PCI 56K (V.90) modem plus 10/100 NIC Combo
Graphics	ATI Mobility M 8-MB SDRAM
Audio	Compaq Premier-Sound
Operating System	Microsoft Windows 2000/Windows NT 4.0
MultiPort	Optional wireless modules available

Canada

N4CP700X220C12P8L
PN# 470013-694
UPC# 720591810214

Display	12.1-inch color TFT XGA
Processor	Low Voltage Mobile Intel Pentium III 700 MHz
Cache Memory	256-KB, L2 Cache
Memory	Standard 128-MB SDRAM Maximum 512-MB SDRAM
Optical Drive	None
Hard Drive	20-GB SMART
Modem	Type III Mini PCI 56K (V.90) modem plus 10/100 NIC Combo
Graphics	ATI Mobility M 8-MB SDRAM
Audio	Compaq Premier-Sound
Operating System	Microsoft Windows 98SE
MultiPort	Optional wireless modules available

N4CP700X220C12P6L
PN# 470013-761
UPC# 720591810962

Display	12.1-inch color TFT XGA
Processor	Low Voltage Mobile Intel Pentium III 700 MHz
Cache Memory	256-KB, L2 Cache
Memory	Standard 128-MB SDRAM Maximum 512-MB SDRAM
Optical Drive	None
Hard Drive	20-GB SMART
Modem	Type III Mini PCI 56K (V.90) modem plus 10/100 NIC Combo
Graphics	ATI Mobility M 8-MB SDRAM
Audio	Compaq Premier-Sound
Operating System	Microsoft Windows 2000/Windows NT 4.0
MultiPort	Optional wireless modules available

Standard Features

Belgium

N4CP700X220C12P8L PN# 470013-695 UPC# 720591810221	Display	12.1-inch color TFT XGA
	Processor	Low Voltage Mobile Intel Pentium III 700 MHz
	Cache Memory	256-KB, L2 Cache
	Memory	Standard 128-MB SDRAM Maximum 512-MB SDRAM
	Optical Drive	None
	Hard Drive	20-GB SMART
	Modem	Type III Mini PCI 56K (V.90) modem plus 10/100 NIC Combo
	Graphics	ATI Mobility M 8-MB SDRAM
	Audio	Compaq Premier-Sound
	Operating System	Microsoft Windows 98SE
	MultiPort	Optional wireless modules available

N4CP700X220C12P6L PN# 470013-762 UPC# 720591810979	Display	12.1-inch color TFT XGA
	Processor	Low Voltage Mobile Intel Pentium III 700 MHz
	Cache Memory	256-KB, L2 Cache
	Memory	Standard 128-MB SDRAM Maximum 512-MB SDRAM
	Optical Drive	None
	Hard Drive	20-GB SMART
	Modem	Type III Mini PCI 56K (V.90) modem plus 10/100 NIC Combo
	Graphics	ATI Mobility M 8-MB SDRAM
	Audio	Compaq Premier-Sound
	Operating System	Microsoft Windows 2000/Windows NT 4.0
	MultiPort	Optional wireless modules available

Czech Republic

N4CP700X220C12P8L PN# 470013-696 UPC# 720591810238	Display	12.1-inch color TFT XGA
	Processor	Low Voltage Mobile Intel Pentium III 700 MHz
	Cache Memory	256-KB, L2 Cache
	Memory	Standard 128-MB SDRAM Maximum 512-MB SDRAM
	Optical Drive	None
	Hard Drive	20-GB SMART
	Modem	Type III Mini PCI 56K (V.90) modem plus 10/100 NIC Combo
	Graphics	ATI Mobility M 8-MB SDRAM
	Audio	Compaq Premier-Sound
	Operating System	Microsoft Windows 98SE
	MultiPort	Optional wireless modules available

Standard Features

N4CP700X220C12P6L
PN# 470013-763
UPC# 720591811082

Display	12.1-inch color TFT XGA
Processor	Low Voltage Mobile Intel Pentium III 700 MHz
Cache Memory	256-KB, L2 Cache
Memory	Standard 128-MB SDRAM Maximum 512-MB SDRAM
Optical Drive	None
Hard Drive	20-GB SMART
Modem	Type III Mini PCI 56K (V.90) modem plus 10/100 NIC Combo
Graphics	ATI Mobility M 8-MB SDRAM
Audio	Compaq Premier-Sound
Operating System	Microsoft Windows 2000/Windows NT 4.0
MultiPort	Optional wireless modules available

Denmark

N4CP700X220C12P8L
PN# 470013-697
UPC# 720591810245

Display	12.1-inch color TFT XGA
Processor	Low Voltage Mobile Intel Pentium III 700 MHz
Cache Memory	256-KB, L2 Cache
Memory	Standard 128-MB SDRAM Maximum 512-MB SDRAM
Optical Drive	None
Hard Drive	20-GB SMART
Modem	Type III Mini PCI 56K (V.90) modem plus 10/100 NIC Combo
Graphics	ATI Mobility M 8-MB SDRAM
Audio	Compaq Premier-Sound
Operating System	Microsoft Windows 98SE
MultiPort	Optional wireless modules available

N4CP700X220C12P6L
PN# 470013-764
UPC# 720591811099

Display	12.1-inch color TFT XGA
Processor	Low Voltage Mobile Intel Pentium III 700 MHz
Cache Memory	256-KB, L2 Cache
Memory	Standard 128-MB SDRAM Maximum 512-MB SDRAM
Optical Drive	None
Hard Drive	20-GB SMART
Modem	Type III Mini PCI 56K (V.90) modem plus 10/100 NIC Combo
Graphics	ATI Mobility M 8-MB SDRAM
Audio	Compaq Premier-Sound
Operating System	Microsoft Windows 2000/Windows NT 4.0
MultiPort	Optional wireless modules available

Standard Features

Euro

N4CP700X22012P8L PN# 470013-676 UPC# 720591809379	Display	12.1-inch color TFT XGA
	Processor	Low Voltage Mobile Intel Pentium III 700 MHz
	Cache Memory	256-KB, L2 Cache
	Memory	Standard 128-MB SDRAM Maximum 512-MB SDRAM
	Optical Drive	None
	Hard Drive	20-GB SMART
	Modem	Type III Mini PCI 56K (V.90) modem plus 10/100 NIC Combo
	Graphics	ATI Mobility M 8-MB SDRAM
	Audio	Compaq Premier-Sound
	Operating System	Microsoft Windows 98SE
	MultiPort	Optional wireless modules available

N4CP700X22012P6L PN# 470013-678 UPC# 720591810092	Display	12.1-inch color TFT XGA
	Processor	Low Voltage Mobile Intel Pentium III 700 MHz
	Cache Memory	256-KB, L2 Cache
	Memory	Standard 128-MB SDRAM Maximum 512-MB SDRAM
	Optical Drive	None
	Hard Drive	20-GB SMART
	Modem	Type III Mini PCI 56K (V.90) modem plus 10/100 NIC Combo
	Graphics	ATI Mobility M 8-MB SDRAM
	Audio	Compaq Premier-Sound
	Operating System	Microsoft Windows 2000/Windows NT 4.0
	MultiPort	Optional wireless modules available

France

N4CP700X220C12P8L PN# 470013-698 UPC# 720591810252	Display	12.1-inch color TFT XGA
	Processor	Low Voltage Mobile Intel Pentium III 700 MHz
	Cache Memory	256-KB, L2 Cache
	Memory	Standard 128-MB SDRAM Maximum 512-MB SDRAM
	Optical Drive	None
	Hard Drive	20-GB SMART
	Modem	Type III Mini PCI 56K (V.90) modem plus 10/100 NIC Combo
	Graphics	ATI Mobility M 8-MB SDRAM
	Audio	Compaq Premier-Sound
	Operating System	Microsoft Windows 98SE
	MultiPort	Optional wireless modules available

Standard Features

N4CP700X220C12P6L
PN# 470013-765
UPC# 720591811105

Display	12.1-inch color TFT XGA
Processor	Low Voltage Mobile Intel Pentium III 700 MHz
Cache Memory	256-KB, L2 Cache
Memory	Standard 128-MB SDRAM Maximum 512-MB SDRAM
Optical Drive	None
Hard Drive	20-GB SMART
Modem	Type III Mini PCI 56K (V.90) modem plus 10/100 NIC Combo
Graphics	ATI Mobility M 8-MB SDRAM
Audio	Compaq Premier Sound
Operating System	Microsoft Windows 2000/Windows NT 4.0
MultiPort	Optional wireless modules available

Germany

N4CP700X220C12P8L
PN# 470013-699
UPC# 720591810269

Display	12.1-inch color TFT XGA
Processor	Low Voltage Mobile Intel Pentium III 700 MHz
Cache Memory	256-KB, L2 Cache
Memory	Standard 128-MB SDRAM Maximum 512-MB SDRAM
Optical Drive	None
Hard Drive	20-GB SMART
Modem	Type III Mini PCI 56K (V.90) modem plus 10/100 NIC Combo
Graphics	ATI Mobility M 8-MB SDRAM
Audio	Compaq Premier Sound
Operating System	Microsoft Windows 98SE
MultiPort	Optional wireless modules available

N4CP700X220C12P6L
PN# 470013-766
UPC# 720591811112

Display	12.1-inch color TFT XGA
Processor	Low Voltage Mobile Intel Pentium III 700 MHz
Cache Memory	256-KB, L2 Cache
Memory	Standard 128-MB SDRAM Maximum 512-MB SDRAM
Optical Drive	None
Hard Drive	20-GB SMART
Modem	Type III Mini PCI 56K (V.90) modem plus 10/100 NIC Combo
Graphics	ATI Mobility M 8-MB SDRAM
Audio	Compaq Premier Sound
Operating System	Microsoft Windows 2000/Windows NT 4.0
MultiPort	Optional wireless modules available

Standard Features

Greece/Poland

N4CP700X220C12P8L PN# 470013-711 UPC# 720591810337	Display	12.1-inch color TFT XGA
	Processor	Low Voltage Mobile Intel Pentium III 700 MHz
	Cache Memory	256-KB, L2 Cache
	Memory	Standard 128-MB SDRAM Maximum 512-MB SDRAM
	Optical Drive	None
	Hard Drive	20-GB SMART
	Modem	Type III Mini PCI 56K (V.90) modem plus 10/100 NIC Combo
	Graphics	ATI Mobility M 8-MB SDRAM
	Audio	Compaq Premier-Sound
	Operating System	Microsoft Windows 98SE
	MultiPort	Optional wireless modules available

N4CP700X220C12P6L PN# 470013-767 UPC# 720591811129	Display	12.1-inch color TFT XGA
	Processor	Low Voltage Mobile Intel Pentium III 700 MHz
	Cache Memory	256-KB, L2 Cache
	Memory	Standard 128-MB SDRAM Maximum 512-MB SDRAM
	Optical Drive	None
	Hard Drive	20-GB SMART
	Modem	Type III Mini PCI 56K (V.90) modem plus 10/100 NIC Combo
	Graphics	ATI Mobility M 8-MB SDRAM
	Audio	Compaq Premier-Sound
	Operating System	Microsoft Windows 2000/Windows NT 4.0
	MultiPort	Optional wireless modules available

Hungary

N4CP700X220C12P8L PN# 470013-715 UPC# 720591810344	Display	12.1-inch color TFT XGA
	Processor	Low Voltage Mobile Intel Pentium III 700 MHz
	Cache Memory	256-KB, L2 Cache
	Memory	Standard 128-MB SDRAM Maximum 512-MB SDRAM
	Optical Drive	None
	Hard Drive	20-GB SMART
	Modem	Type III Mini PCI 56K (V.90) modem plus 10/100 NIC Combo
	Graphics	ATI Mobility M 8-MB SDRAM
	Audio	Compaq Premier-Sound
	Operating System	Microsoft Windows 98SE
	MultiPort	Optional wireless modules available

Standard Features

N4CP700X220C12P6L
PN# 470013-768
UPC# 720591811136

Display	12.1-inch color TFT XGA
Processor	Low Voltage Mobile Intel Pentium III 700 MHz
Cache Memory	256-KB, L2 Cache
Memory	Standard 128-MB SDRAM Maximum 512-MB SDRAM
Optical Drive	None
Hard Drive	20-GB SMART
Modem	Type III Mini PCI 56K (V.90) modem plus 10/100 NIC Combo
Graphics	ATI Mobility M 8-MB SDRAM
Audio	Compaq Premier-Sound
Operating System	Microsoft Windows 2000/Windows NT 4.0
MultiPort	Optional wireless modules available

Israel

N4CP700X220C12P8L
PN# 470013-716
UPC# 720591810351

Display	12.1-inch color TFT XGA
Processor	Low Voltage Mobile Intel Pentium III 700 MHz
Cache Memory	256-KB, L2 Cache
Memory	Standard 128-MB SDRAM Maximum 512-MB SDRAM
Optical Drive	None
Hard Drive	20-GB SMART
Modem	Type III Mini PCI 56K (V.90) modem plus 10/100 NIC Combo
Graphics	ATI Mobility M 8-MB SDRAM
Audio	Compaq Premier-Sound
Operating System	Microsoft Windows 98SE
MultiPort	Optional wireless modules available

N4CP700X220C12P6L
PN# 470013-717
UPC# 720591810368

Display	12.1-inch color TFT XGA
Processor	Low Voltage Mobile Intel Pentium III 700 MHz
Cache Memory	256-KB, L2 Cache
Memory	Standard 128-MB SDRAM Maximum 512-MB SDRAM
Optical Drive	None
Hard Drive	20-GB SMART
Modem	Type III Mini PCI 56K (V.90) modem plus 10/100 NIC Combo
Graphics	ATI Mobility M 8-MB SDRAM
Audio	Compaq Premier-Sound
Operating System	Microsoft Windows 2000/Windows NT 4.0
MultiPort	Optional wireless modules available

Standard Features

Italy

N4CP700X220C12P8L PN# 470013-720 UPC# 720591810375	Display	12.1-inch color TFT XGA
	Processor	Low Voltage Mobile Intel Pentium III 700 MHz
	Cache Memory	256-KB, L2 Cache
	Memory	Standard 128-MB SDRAM Maximum 512-MB SDRAM
	Optical Drive	None
	Hard Drive	20-GB SMART
	Modem	Type III Mini PCI 56K (V.90) modem plus 10/100 NIC Combo
	Graphics	ATI Mobility M 8-MB SDRAM
	Audio	Compaq Premier-Sound
	Operating System	Microsoft Windows 98SE
	MultiPort	Optional wireless modules available

N4CP700X220C12P6L PN# 470013-721 UPC# 720591810580	Display	12.1-inch color TFT XGA
	Processor	Low Voltage Mobile Intel Pentium III 700 MHz
	Cache Memory	256-KB, L2 Cache
	Memory	Standard 128-MB SDRAM Maximum 512-MB SDRAM
	Optical Drive	None
	Hard Drive	20-GB SMART
	Modem	Type III Mini PCI 56K (V.90) modem plus 10/100 NIC Combo
	Graphics	ATI Mobility M 8-MB SDRAM
	Audio	Compaq Premier-Sound
	Operating System	Microsoft Windows 2000/Windows NT 4.0
	MultiPort	Optional wireless modules available

Middle East

N4CP700X220C12P8L PN# 470013-732 UPC# 720591809409	Display	12.1-inch color TFT XGA
	Processor	Low Voltage Mobile Intel Pentium III 700 MHz
	Cache Memory	256-KB, L2 Cache
	Memory	Standard 128-MB SDRAM Maximum 512-MB SDRAM
	Optical Drive	None
	Hard Drive	20-GB SMART
	Modem	Type III Mini PCI 56K (V.90) modem plus 10/100 NIC Combo
	Graphics	ATI Mobility M 8-MB SDRAM
	Audio	Compaq Premier-Sound
	Operating System	Microsoft Windows 98SE
	MultiPort	Optional wireless modules available

Standard Features

N4CP700X220C12P6L
PN# 470013-733
UPC# 720591809416

Display	12.1-inch color TFT XGA
Processor	Low Voltage Mobile Intel Pentium III 700 MHz
Cache Memory	256-KB, L2 Cache
Memory	Standard 128-MB SDRAM Maximum 512-MB SDRAM
Optical Drive	None
Hard Drive	20-GB SMART
Modem	Type III Mini PCI 56K (V.90) modem plus 10/100 NIC Combo
Graphics	ATI Mobility M 8-MB SDRAM
Audio	Compaq Premier-Sound
Operating System	Microsoft Windows 2000/Windows NT 4.0
MultiPort	Optional wireless modules available

Netherlands

N4CP700X220C12P8L
PN# 470013-736
UPC# 720591809423

Display	12.1-inch color TFT XGA
Processor	Low Voltage Mobile Intel Pentium III 700 MHz
Cache Memory	256-KB, L2 Cache
Memory	Standard 128-MB SDRAM Maximum 512-MB SDRAM
Optical Drive	None
Hard Drive	20-GB SMART
Modem	Type III Mini PCI 56K (V.90) modem plus 10/100 NIC Combo
Graphics	ATI Mobility M 8-MB SDRAM
Audio	Compaq Premier-Sound
Operating System	Microsoft Windows 98SE
MultiPort	Optional wireless modules available

N4CP700X220C12P6L
PN# 470013-738
UPC# 720591809430

Display	12.1-inch color TFT XGA
Processor	Low Voltage Mobile Intel Pentium III 700 MHz
Cache Memory	256-KB, L2 Cache
Memory	Standard 128-MB SDRAM Maximum 512-MB SDRAM
Optical Drive	None
Hard Drive	20-GB SMART
Modem	Type III Mini PCI 56K (V.90) modem plus 10/100 NIC Combo
Graphics	ATI Mobility M 8-MB SDRAM
Audio	Compaq Premier-Sound
Operating System	Microsoft Windows 2000/Windows NT 4.0
MultiPort	Optional wireless modules available

Standard Features

Norway

N4CP700X220C12P8L PN# 470013-740 UPC# 720591809447	Display	12.1-inch color TFT XGA
	Processor	Low Voltage Mobile Intel Pentium III 700 MHz
	Cache Memory	256-KB, L2 Cache
	Memory	Standard 128-MB SDRAM Maximum 512-MB SDRAM
	Optical Drive	None
	Hard Drive	20-GB SMART
	Modem	Type III Mini PCI 56K (V.90) modem plus 10/100 NIC Combo
	Graphics	ATI Mobility M 8-MB SDRAM
	Audio	Compaq Premier-Sound
	Operating System	Microsoft Windows 98SE
	MultiPort	Optional wireless modules available

N4CP700X220C12P6L PN# 470013-742 UPC# 720591809454	Display	12.1-inch color TFT XGA
	Processor	Low Voltage Mobile Intel Pentium III 700 MHz
	Cache Memory	256-KB, L2 Cache
	Memory	Standard 128-MB SDRAM Maximum 512-MB SDRAM
	Optical Drive	None
	Hard Drive	20-GB SMART
	Modem	Type III Mini PCI 56K (V.90) modem plus 10/100 NIC Combo
	Graphics	ATI Mobility M 8-MB SDRAM
	Audio	Compaq Premier-Sound
	Operating System	Microsoft Windows 2000/Windows NT 4.0
	MultiPort	Optional wireless modules available

Portugal

N4CP700X220C12P8L PN# 470013-744 UPC# 720591809461	Display	12.1-inch color TFT XGA
	Processor	Low Voltage Mobile Intel Pentium III 700 MHz
	Cache Memory	256-KB, L2 Cache
	Memory	Standard 128-MB SDRAM Maximum 512-MB SDRAM
	Optical Drive	None
	Hard Drive	20-GB SMART
	Modem	Type III Mini PCI 56K (V.90) modem plus 10/100 NIC Combo
	Graphics	ATI Mobility M 8-MB SDRAM
	Audio	Compaq Premier-Sound
	Operating System	Microsoft Windows 98SE
	MultiPort	Optional wireless modules available

Standard Features

N4CP700X220C12P6L
PN# 470013-746
UPC# 720591809478

Display	12.1-inch color TFT XGA
Processor	Low Voltage Mobile Intel Pentium III 700 MHz
Cache Memory	256-KB, L2 Cache
Memory	Standard 128-MB SDRAM Maximum 512-MB SDRAM
Optical Drive	None
Hard Drive	20-GB SMART
Modem	Type III Mini PCI 56K (V.90) modem plus 10/100 NIC Combo
Graphics	ATI Mobility M 8-MB SDRAM
Audio	Compaq Premier-Sound
Operating System	Microsoft Windows 2000/Windows NT 4.0
MultiPort	Optional wireless modules available

Russian

N4CP700X220C12P8L
PN# 470013-750
UPC# 720591810887

Display	12.1-inch color TFT XGA
Processor	Low Voltage Mobile Intel Pentium III 700 MHz
Cache Memory	256-KB, L2 Cache
Memory	Standard 128-MB SDRAM Maximum 512-MB SDRAM
Optical Drive	None
Hard Drive	20-GB SMART
Modem	Type III Mini PCI 56K (V.90) modem plus 10/100 NIC Combo
Graphics	ATI Mobility M 8-MB SDRAM
Audio	Compaq Premier-Sound
Operating System	Microsoft Windows 98SE
MultiPort	Optional wireless modules available

N4CP700X220C12P6L
PN# 470013-752
UPC# 720591810894

Display	12.1-inch color TFT XGA
Processor	Low Voltage Mobile Intel Pentium III 700 MHz
Cache Memory	256-KB, L2 Cache
Memory	Standard 128-MB SDRAM Maximum 512-MB SDRAM
Optical Drive	None
Hard Drive	20-GB SMART
Modem	Type III Mini PCI 56K (V.90) modem plus 10/100 NIC Combo
Graphics	ATI Mobility M 8-MB SDRAM
Audio	Compaq Premier-Sound
Operating System	Microsoft Windows 2000/Windows NT 4.0
MultiPort	Optional wireless modules available

Standard Features

Slovak/Slovenian

N4CP700X220C12P8L PN# 470013-755 UPC# 720591810900	Display	12.1-inch color TFT XGA
	Processor	Low Voltage Mobile Intel Pentium III 700 MHz
	Cache Memory	256-KB, L2 Cache
	Memory	Standard 128-MB SDRAM Maximum 512-MB SDRAM
	Optical Drive	None
	Hard Drive	20-GB SMART
	Modem	Type III Mini PCI 56K (V.90) modem plus 10/100 NIC Combo
	Graphics	ATI Mobility M 8-MB SDRAM
	Audio	Compaq Premier Sound
	Operating System	Microsoft Windows 98SE
	MultiPort	Optional wireless modules available

N4CP700X220C12P6L PN# 470013-756 UPC# 720591810917	Display	12.1-inch color TFT XGA
	Processor	Low Voltage Mobile Intel Pentium III 700 MHz
	Cache Memory	256-KB, L2 Cache
	Memory	Standard 128-MB SDRAM Maximum 512-MB SDRAM
	Optical Drive	None
	Hard Drive	20-GB SMART
	Modem	Type III Mini PCI 56K (V.90) modem plus 10/100 NIC Combo
	Graphics	ATI Mobility M 8-MB SDRAM
	Audio	Compaq Premier Sound
	Operating System	Microsoft Windows 2000/Windows NT 4.0
	MultiPort	Optional wireless modules available

Spain

N4CP700X220C12P8L PN# 470013-757 UPC# 720591810924	Display	12.1-inch color TFT XGA
	Processor	Low Voltage Mobile Intel Pentium III 700 MHz
	Cache Memory	256-KB, L2 Cache
	Memory	Standard 128-MB SDRAM Maximum 512-MB SDRAM
	Optical Drive	None
	Hard Drive	20-GB SMART
	Modem	Type III Mini PCI 56K (V.90) modem plus 10/100 NIC Combo
	Graphics	ATI Mobility M 8-MB SDRAM
	Audio	Compaq Premier Sound
	Operating System	Microsoft Windows 98SE
	MultiPort	Optional wireless modules available

Standard Features

N4CP700X220C12P6L
PN# 470013-758
UPC# 720591810931

Display	12.1-inch color TFT XGA
Processor	Low Voltage Mobile Intel Pentium III 700 MHz
Cache Memory	256-KB, L2 Cache
Memory	Standard 128-MB SDRAM Maximum 512-MB SDRAM
Optical Drive	None
Hard Drive	20-GB SMART
Modem	Type III Mini PCI 56K (V.90) modem plus 10/100 NIC Combo
Graphics	ATI Mobility M 8-MB SDRAM
Audio	Compaq Premier Sound
Operating System	Microsoft Windows 2000/Windows NT 4.0
MultiPort	Optional wireless modules available

Sweden/Finland

N4CP700X220C12P8L
PN# 470013-759
UPC# 720591810948

Display	12.1-inch color TFT XGA
Processor	Low Voltage Mobile Intel Pentium III 700 MHz
Cache Memory	256-KB, L2 Cache
Memory	Standard 128-MB SDRAM Maximum 512-MB SDRAM
Optical Drive	None
Hard Drive	20-GB SMART
Modem	Type III Mini PCI 56K (V.90) modem plus 10/100 NIC Combo
Graphics	ATI Mobility M 8-MB SDRAM
Audio	Compaq Premier Sound
Operating System	Microsoft Windows 98SE
MultiPort	Optional wireless modules available

N4CP700X220C12P6L
PN# 470013-760
UPC# 720591810955

Display	12.1-inch color TFT XGA
Processor	Low Voltage Mobile Intel Pentium III 700 MHz
Cache Memory	256-KB, L2 Cache
Memory	Standard 128-MB SDRAM Maximum 512-MB SDRAM
Optical Drive	None
Hard Drive	20-GB SMART
Modem	Type III Mini PCI 56K (V.90) modem plus 10/100 NIC Combo
Graphics	ATI Mobility M 8-MB SDRAM
Audio	Compaq Premier Sound
Operating System	Microsoft Windows 2000/Windows NT 4.0
MultiPort	Optional wireless modules available

Standard Features

Swiss - FR/GR/US

N4CP700X220C12P6L PN# 470013-769 UPC# 720591811143	Display	12.1-inch color TFT XGA
	Processor	Low Voltage Mobile Intel Pentium III 700 MHz
	Cache Memory	256-KB, L2 Cache
	Memory	Standard 128-MB SDRAM Maximum 512-MB SDRAM
	Optical Drive	None
	Hard Drive	20-GB SMART
	Modem	Type III Mini PCI 56K (V.90) modem plus 10/100 NIC Combo
	Graphics	ATI Mobility M 8-MB SDRAM
	Audio	Compaq Premier-Sound
	Operating System	Microsoft Windows 2000/Windows NT 4.0
	MultiPort	Optional wireless modules available

Swiss - FR/GR/IT

N4CP700X220C12P6L PN# 470013-770 UPC# 720591811150	Display	12.1-inch color TFT XGA
	Processor	Low Voltage Mobile Intel Pentium III 700 MHz
	Cache Memory	256-KB, L2 Cache
	Memory	Standard 128-MB SDRAM Maximum 512-MB SDRAM
	Optical Drive	None
	Hard Drive	20-GB SMART
	Modem	Type III Mini PCI 56K (V.90) modem plus 10/100 NIC Combo
	Graphics	ATI Mobility M 8-MB SDRAM
	Audio	Compaq Premier-Sound
	Operating System	Microsoft Windows 2000/Windows NT 4.0
	MultiPort	Optional wireless modules available

Turkey

N4CP700X220C12P8L PN# 470013-771 UPC# 720591811167	Display	12.1-inch color TFT XGA
	Processor	Low Voltage Mobile Intel Pentium III 700 MHz
	Cache Memory	256-KB, L2 Cache
	Memory	Standard 128-MB SDRAM Maximum 512-MB SDRAM
	Optical Drive	None
	Hard Drive	20-GB SMART
	Modem	Type III Mini PCI 56K (V.90) modem plus 10/100 NIC Combo
	Graphics	ATI Mobility M 8-MB SDRAM
	Audio	Compaq Premier-Sound
	Operating System	Microsoft Windows 98SE
	MultiPort	Optional wireless modules available

Standard Features

N4CP700X220C12P6L
PN# 470013-772
UPC# 720591811174

Display	12.1-inch color TFT XGA
Processor	Low Voltage Mobile Intel Pentium III 700 MHz
Cache Memory	256-KB, L2 Cache
Memory	Standard 128-MB SDRAM Maximum 512-MB SDRAM
Optical Drive	None
Hard Drive	20-GB SMART
Modem	Type III Mini PCI 56K (V.90) modem plus 10/100 NIC Combo
Graphics	ATI Mobility M 8-MB SDRAM
Audio	Compaq Premier Sound
Operating System	Microsoft Windows 2000/Windows NT 4.0
MultiPort	Optional wireless modules available

United Kingdom

N4CP700X220C12P8L
PN# 470013-773
UPC# 720591811181

Display	12.1-inch color TFT XGA
Processor	Low Voltage Mobile Intel Pentium III 700 MHz
Cache Memory	256-KB, L2 Cache
Memory	Standard 128-MB SDRAM Maximum 512-MB SDRAM
Optical Drive	None
Hard Drive	20-GB SMART
Modem	Type III Mini PCI 56K (V.90) modem plus 10/100 NIC Combo
Graphics	ATI Mobility M 8-MB SDRAM
Audio	Compaq Premier Sound
Operating System	Microsoft Windows 98SE
MultiPort	Optional wireless modules available

N4CP700X220C12P6L
PN# 470013-774
UPC# 720591811198

Display	12.1-inch color TFT XGA
Processor	Low Voltage Mobile Intel Pentium III 700 MHz
Cache Memory	256-KB, L2 Cache
Memory	Standard 128-MB SDRAM Maximum 512-MB SDRAM
Optical Drive	None
Hard Drive	20-GB SMART
Modem	Type III Mini PCI 56K (V.90) modem plus 10/100 NIC Combo
Graphics	ATI Mobility M 8-MB SDRAM
Audio	Compaq Premier Sound
Operating System	Microsoft Windows 2000/Windows NT 4.0
MultiPort	Optional wireless modules available

Standard Features

Japan - JPN

N4CP700X220C12P8L PN# 470013-775 UPC# 720591811204	Display	12.1-inch color TFT XGA
	Processor	Low Voltage Mobile Intel Pentium III 700 MHz
	Cache Memory	256-KB, L2 Cache
	Memory	Standard 128-MB SDRAM Maximum 512-MB SDRAM
	Optical Drive	None
	Hard Drive	20-GB SMART
	Modem	Type III Mini PCI 56K (V.90) modem plus 10/100 NIC Combo
	Graphics	ATI Mobility M 8-MB SDRAM
	Audio	Compaq Premier-Sound
	Operating System	Microsoft Windows 98SE
	MultiPort	Optional wireless modules available

N4CP700X220C12P6L PN# 470013-776 UPC# 720591811211	Display	12.1-inch color TFT XGA
	Processor	Low Voltage Mobile Intel Pentium III 700 MHz
	Cache Memory	256-KB, L2 Cache
	Memory	Standard 128-MB SDRAM Maximum 512-MB SDRAM
	Optical Drive	None
	Hard Drive	20-GB SMART
	Modem	Type III Mini PCI 56K (V.90) modem plus 10/100 NIC Combo
	Graphics	ATI Mobility M 8-MB SDRAM
	Audio	Compaq Premier-Sound
	Operating System	Microsoft Windows 2000/Windows NT 4.0
	MultiPort	Optional wireless modules available

Japan - ENG

N4CP700X220C12P8L PN# 470013-777 UPC# 720591811228	Display	12.1-inch color TFT XGA
	Processor	Low Voltage Mobile Intel Pentium III 700 MHz
	Cache Memory	256-KB, L2 Cache
	Memory	Standard 128-MB SDRAM Maximum 512-MB SDRAM
	Optical Drive	None
	Hard Drive	20-GB SMART
	Modem	Type III Mini PCI 56K (V.90) modem plus 10/100 NIC Combo
	Graphics	ATI Mobility M 8-MB SDRAM
	Audio	Compaq Premier-Sound
	Operating System	Microsoft Windows 98SE
	MultiPort	Optional wireless modules available

Standard Features

N4CP700X220C12P6L
PN# 470013-778
UPC# 720591810269

Display	12.1-inch color TFT XGA
Processor	Low Voltage Mobile Intel Pentium III 700 MHz
Cache Memory	256-KB, L2 Cache
Memory	Standard 128-MB SDRAM Maximum 512-MB SDRAM
Optical Drive	None
Hard Drive	20-GB SMART
Modem	Type III Mini PCI 56K (V.90) modem plus 10/100 NIC Combo
Graphics	ATI Mobility M 8-MB SDRAM
Audio	Compaq Premier Sound
Operating System	Microsoft Windows 2000/Windows NT 4.0
MultiPort	Optional wireless modules available

LTNA

N4CP700X220C12P8LN
PN# 470013-686

NAFTA
UPC# 720591810146

Display	12.1-inch color TFT XGA
Processor	Low Voltage Mobile Intel Pentium III 700 MHz
Cache Memory	256-KB, L2 Cache
Memory	Standard 128-MB SDRAM Maximum 512-MB SDRAM
Optical Drive	None
Hard Drive	20-GB SMART
Modem	Type III Mini PCI 56K (V.90) modem plus 10/100 NIC Combo
Graphics	ATI Mobility M 8-MB SDRAM
Audio	Compaq Premier Sound
Operating System	Microsoft Windows 98SE
MultiPort	Optional wireless modules available

N4CP700X220C12P6LN
PN# 470013-690

NAFTA
UPC# 720591810184

Display	12.1-inch color TFT XGA
Processor	Low Voltage Mobile Intel Pentium III 700 MHz
Cache Memory	256-KB, L2 Cache
Memory	Standard 128-MB SDRAM Maximum 512-MB SDRAM
Optical Drive	None
Hard Drive	20-GB SMART
Modem	Type III Mini PCI 56K (V.90) modem plus 10/100 NIC Combo
Graphics	ATI Mobility M 8-MB SDRAM
Audio	Compaq Premier Sound
Operating System	Microsoft Windows 2000/Windows NT 4.0
MultiPort	Optional wireless modules available

Standard Features

N4CP700X220C12P8L
PN# 470013-779
UPC# 720591811242

Display	12.1-inch color TFT XGA
Processor	Low Voltage Mobile Intel Pentium III 700 MHz
Cache Memory	256-KB, L2 Cache
Memory	Standard 128-MB SDRAM Maximum 512-MB SDRAM
Optical Drive	None
Hard Drive	20-GB SMART
Modem	Type III Mini PCI 56K (V.90) modem plus 10/100 NIC Combo
Graphics	ATI Mobility M 8-MB SDRAM
Audio	Compaq Premier-Sound
Operating System	Microsoft Windows 98SE
MultiPort	Optional wireless modules available

N4CP700X220C12P6L
PN# 470013-780
UPC# 720591811259

Display	12.1-inch color TFT XGA
Processor	Low Voltage Mobile Intel Pentium III 700 MHz
Cache Memory	256-KB, L2 Cache
Memory	Standard 128-MB SDRAM Maximum 512-MB SDRAM
Optical Drive	None
Hard Drive	20-GB SMART
Modem	Type III Mini PCI 56K (V.90) modem plus 10/100 NIC Combo
Graphics	ATI Mobility M 8-MB SDRAM
Audio	Compaq Premier-Sound
Operating System	Microsoft Windows 2000/Windows NT 4.0
MultiPort	Optional wireless modules available

Brazil

N4CP700X220C12P8L
PN# 470013-781
UPC# 720591811266

Display	12.1-inch color TFT XGA
Processor	Low Voltage Mobile Intel Pentium III 700 MHz
Cache Memory	256-KB, L2 Cache
Memory	Standard 128-MB SDRAM Maximum 512-MB SDRAM
Optical Drive	None
Hard Drive	20-GB SMART
Modem	Type III Mini PCI 56K (V.90) modem plus 10/100 NIC Combo
Graphics	ATI Mobility M 8-MB SDRAM
Audio	Compaq Premier-Sound
Operating System	Microsoft Windows 98SE
MultiPort	Optional wireless modules available

Standard Features

N4CP700X220C12P6L
PN# 470013-782
UPC# 720591811273

Display	12.1-inch color TFT XGA
Processor	Low Voltage Mobile Intel Pentium III 700 MHz
Cache Memory	256-KB, L2 Cache
Memory	Standard 128-MB SDRAM Maximum 512-MB SDRAM
Optical Drive	None
Hard Drive	20-GB SMART
Modem	Type III Mini PCI 56K (V.90) modem plus 10/100 NIC Combo
Graphics	ATI Mobility M 8-MB SDRAM
Audio	Compaq Premier-Sound
Operating System	Microsoft Windows 2000/Windows NT 4.0
MultiPort	Optional wireless modules available

APD

N4CP700X22012P8L
PN# 470013-677
UPC# 720591810085

Display	12.1-inch color TFT XGA
Processor	Low Voltage Mobile Intel Pentium III 700 MHz
Cache Memory	256-KB, L2 Cache
Memory	Standard 128-MB SDRAM Maximum 512-MB SDRAM
Optical Drive	None
Hard Drive	20-GB SMART
Modem	Type III Mini PCI 56K (V.90) modem plus 10/100 NIC Combo
Graphics	ATI Mobility M 8-MB SDRAM
Audio	Compaq Premier-Sound
Operating System	Microsoft Windows 98SE
MultiPort	Optional wireless modules available

N4CP700X22012P6L
PN# 470013-679
UPC# 720591810108

Display	12.1-inch color TFT XGA
Processor	Low Voltage Mobile Intel Pentium III 700 MHz
Cache Memory	256-KB, L2 Cache
Memory	Standard 128-MB SDRAM Maximum 512-MB SDRAM
Optical Drive	None
Hard Drive	20-GB SMART
Modem	Type III Mini PCI 56K (V.90) modem plus 10/100 NIC Combo
Graphics	ATI Mobility M 8-MB SDRAM
Audio	Compaq Premier-Sound
Operating System	Microsoft Windows 2000/Windows NT 4.0
MultiPort	Optional wireless modules available

Standard Features

N4CP700X220C12P8L
PN# 470013-783
UPC# 720591811280

Display	12.1-inch color TFT XGA
Processor	Low Voltage Mobile Intel Pentium III 700 MHz
Cache Memory	256-KB, L2 Cache
Memory	Standard 128-MB SDRAM Maximum 512-MB SDRAM
Optical Drive	None
Hard Drive	20-GB SMART
Modem	Type III Mini PCI 56K (V.90) modem plus 10/100 NIC Combo
Graphics	ATI Mobility M 8-MB SDRAM
Audio	Compaq Premier-Sound
Operating System	Microsoft Windows 98SE
MultiPort	Optional wireless modules available

N4CP700X220C12P6L
PN# 470013-784
UPC# 720591811297

Display	12.1-inch color TFT XGA
Processor	Low Voltage Mobile Intel Pentium III 700 MHz
Cache Memory	256-KB, L2 Cache
Memory	Standard 128-MB SDRAM Maximum 512-MB SDRAM
Optical Drive	None
Hard Drive	20-GB SMART
Modem	Type III Mini PCI 56K (V.90) modem plus 10/100 NIC Combo
Graphics	ATI Mobility M 8-MB SDRAM
Audio	Compaq Premier-Sound
Operating System	Microsoft Windows 2000/Windows NT 4.0
MultiPort	Optional wireless modules available

Australia

N4CP700X220C12P8L
PN# 470013-785
UPC# 720591811303

Display	12.1-inch color TFT XGA
Processor	Low Voltage Mobile Intel Pentium III 700 MHz
Cache Memory	256-KB, L2 Cache
Memory	Standard 128-MB SDRAM Maximum 512-MB SDRAM
Optical Drive	None
Hard Drive	20-GB SMART
Modem	Type III Mini PCI 56K (V.90) modem plus 10/100 NIC Combo
Graphics	ATI Mobility M 8-MB SDRAM
Audio	Compaq Premier-Sound
Operating System	Microsoft Windows 98SE
MultiPort	Optional wireless modules available

Standard Features

N4CP700X220C12P6L
PN# 470013-786
UPC# 720591811310

Display	12.1-inch color TFT XGA
Processor	Low Voltage Mobile Intel Pentium III 700 MHz
Cache Memory	256-KB, L2 Cache
Memory	Standard 128-MB SDRAM Maximum 512-MB SDRAM
Optical Drive	None
Hard Drive	20-GB SMART
Modem	Type III Mini PCI 56K (V.90) modem plus 10/100 NIC Combo
Graphics	ATI Mobility M 8-MB SDRAM
Audio	Compaq Premier-Sound
Operating System	Microsoft Windows 2000/Windows NT 4.0
MultiPort	Optional wireless modules available

PRC

N4CP700X220C12P8L
PN# 470013-787
UPC# 720591811327

Display	12.1-inch color TFT XGA
Processor	Low Voltage Mobile Intel Pentium III 700 MHz
Cache Memory	256-KB, L2 Cache
Memory	Standard 128-MB SDRAM Maximum 512-MB SDRAM
Optical Drive	None
Hard Drive	20-GB SMART
Modem	Type III Mini PCI 56K (V.90) modem plus 10/100 NIC Combo
Graphics	ATI Mobility M 8-MB SDRAM
Audio	Compaq Premier-Sound
Operating System	Microsoft Windows 98SE
MultiPort	Optional wireless modules available

N4CP700X220C12P6L
PN# 470013-788
UPC# 720591811334

Display	12.1-inch color TFT XGA
Processor	Low Voltage Mobile Intel Pentium III 700 MHz
Cache Memory	256-KB, L2 Cache
Memory	Standard 128-MB SDRAM Maximum 512-MB SDRAM
Optical Drive	None
Hard Drive	20-GB SMART
Modem	Type III Mini PCI 56K (V.90) modem plus 10/100 NIC Combo
Graphics	ATI Mobility M 8-MB SDRAM
Audio	Compaq Premier-Sound
Operating System	Microsoft Windows 2000/Windows NT 4.0
MultiPort	Optional wireless modules available

Standard Features

Taiwan

N4CP700X220C12P8L PN# 470013-789 UPC# 720591811341	Display	12.1-inch color TFT XGA
	Processor	Low Voltage Mobile Intel Pentium III 700 MHz
	Cache Memory	256-KB, L2 Cache
	Memory	Standard 128-MB SDRAM Maximum 512-MB SDRAM
	Optical Drive	None
	Hard Drive	20-GB SMART
	Modem	Type III Mini PCI 56K (V.90) modem plus 10/100 NIC Combo
	Graphics	ATI Mobility M 8-MB SDRAM
	Audio	Compaq Premier-Sound
	Operating System	Microsoft Windows 98SE
	MultiPort	Optional wireless modules available

N4CP700X220C12P6L PN# 470013-790 UPC# 720591811358	Display	12.1-inch color TFT XGA
	Processor	Low Voltage Mobile Intel Pentium III 700 MHz
	Cache Memory	256-KB, L2 Cache
	Memory	Standard 128-MB SDRAM Maximum 512-MB SDRAM
	Optical Drive	None
	Hard Drive	20-GB SMART
	Modem	Type III Mini PCI 56K (V.90) modem plus 10/100 NIC Combo
	Graphics	ATI Mobility M 8-MB SDRAM
	Audio	Compaq Premier-Sound
	Operating System	Microsoft Windows 2000/Windows NT 4.0
	MultiPort	Optional wireless modules available

Hong Kong

N4CP700X220C12P8L PN# 470013-791 UPC# 720591811365	Display	12.1-inch color TFT XGA
	Processor	Low Voltage Mobile Intel Pentium III 700 MHz
	Cache Memory	256-KB, L2 Cache
	Memory	Standard 128-MB SDRAM Maximum 512-MB SDRAM
	Optical Drive	None
	Hard Drive	20-GB SMART
	Modem	Type III Mini PCI 56K (V.90) modem plus 10/100 NIC Combo
	Graphics	ATI Mobility M 8-MB SDRAM
	Audio	Compaq Premier-Sound
	Operating System	Microsoft Windows 98SE
	MultiPort	Optional wireless modules available

Standard Features

N4CP700X220C12P6L
PN# 470013-792
UPC# 720591811372

Display	12.1-inch color TFT XGA
Processor	Low Voltage Mobile Intel Pentium III 700 MHz
Cache Memory	256-KB, L2 Cache
Memory	Standard 128-MB SDRAM Maximum 512-MB SDRAM
Optical Drive	None
Hard Drive	20-GB SMART
Modem	Type III Mini PCI 56K (V.90) modem plus 10/100 NIC Combo
Graphics	ATI Mobility M 8-MB SDRAM
Audio	Compaq Premier Sound
Operating System	Microsoft Windows 2000/Windows NT 4.0
MultiPort	Optional wireless modules available

Korea

N4CP700X220C12P8L
PN# 470013-793
UPC# 720591811389

Display	12.1-inch color TFT XGA
Processor	Low Voltage Mobile Intel Pentium III 700 MHz
Cache Memory	256-KB, L2 Cache
Memory	Standard 128-MB SDRAM Maximum 512-MB SDRAM
Optical Drive	None
Hard Drive	20-GB SMART
Modem	Type III Mini PCI 56K (V.90) modem plus 10/100 NIC Combo
Graphics	ATI Mobility M 8-MB SDRAM
Audio	Compaq Premier Sound
Operating System	Microsoft Windows 98SE
MultiPort	Optional wireless modules available

N4CP700X220C12P6L
PN# 470013-794
UPC# 720591811396

Display	12.1-inch color TFT XGA
Processor	Low Voltage Mobile Intel Pentium III 700 MHz
Cache Memory	256-KB, L2 Cache
Memory	Standard 128-MB SDRAM Maximum 512-MB SDRAM
Optical Drive	None
Hard Drive	20-GB SMART
Modem	Type III Mini PCI 56K (V.90) modem plus 10/100 NIC Combo
Graphics	ATI Mobility M 8-MB SDRAM
Audio	Compaq Premier Sound
Operating System	Microsoft Windows 2000/Windows NT 4.0
MultiPort	Optional wireless modules available

Options

Memory	128-MB (133 MHz) Memory Upgrade	197897-B25
	64-MB (133 MHz) Memory Upgrade	197896-B25
	256-MB (100 MHz) Memory Upgrade	161554-B21
	128-MB (100 MHz) Memory Upgrade	400313-B21
	64-MB (100 MHz) Memory Upgrade	400312-B21
	32-MB (100 MHz) Memory Upgrade	400311-B21

NOTE: Due to the non-industry standard nature of some third-party memory modules, we strongly recommend using only Compaq branded memory modules to ensure compatibility.

NOTE: 256-MB and 512-MB 133-MHz memory are not compatible with the Evo Notebook N400c.

Monitors	TFT8020 Flat Panel Color 18-inch (carbon)	159244-xxx
	TFT5010 Flat Panel Color 15-inch (carbon)	154486-xxx
	P1210 CRT 22-inch (carbon/silver)	230538-001
	P910 CRT 19-inch (carbon/silver)	230535-001
	S710 CRT 17-inch (carbon)	154499-002
	S510 CRT 15-inch (carbon)	168636-002

MultiBay Hard Drives	30-GB SMART Hard Drive	212791-B25
	20-GB SMART Hard Drive	212790-B25

MultiBay Storage Devices	DVD/CD-RW Combo Drive	260472-B25
	CD-RW Drive	136186-B25
	DVD-ROM Drive	138230-B25
	CD-ROM Drive	298452-B25
	SuperDisk 2X LS –120 Drive	197895-B25
	Floppy Drive	226935-B25
	Imega Zip 250 Drive	217387-B25

Other Storage Devices	IBM 1-GB Microdrive (PC card Device)	217390-B25
	USB Disk-on-Key – 8 MB	249552-B25
	USB Diskette drive	230330-B25

Mobile Expansion Unit (MEU)	MEU with CD-RW drive and Floppy drive	234281-B25
	MEU with 8X DVD-ROM drive and Floppy drive	234280-B25
	MEU with 24X Max CD-ROM drive* and Floppy drive	234279-B25

NOTE: * = Data transfer rates will vary from 150 KB/s to 3600 KB/s.

Options

Connectivity	Compaq Type III Mini PCI 56K (V.90) Modem	225640-B31
	Compaq Type III Mini PCI 56K (V.90) Modem plus 10/100 NIC Combo	225642-B31
	Compaq Type III Mini PCI 56K (V.90) Modem plus 10/100 IPSEC NIC Combo	225638-B31
	Compaq M420 56K Global Modem	317900-001
	10/100 TX PC Card UTP Controller	335506-B21
	100Base TX Ethernet Upgrade	225435-001
	1394 PC Card	177593-B25
	<p>NOTE: For additional compatible PC Cards, view the Compaq PC Card Solutions List on the Compaq website at: http://www.compaq.com/support/techpubs/pcmcia/</p> <p>NOTE: This website is available in English only.</p> <p>NOTE: Designed only to allow faster downloads from V.90 compliant sources. Maximum achievable download transmission rates currently do not reach 56 KB/s, and will vary with line conditions. Modem only supports Microsoft Windows 9.x and Windows NT 4.0.</p>	
Wireless Connectivity	802.11b MultiPort Wireless LAN module	233412-xx1
	Bluetooth MultiPort module	228057-B21
	Compaq WL110 Wireless LAN PC Card	191808-B21
	Compaq WL510 Wireless Enterprise Access Point	216709-001
	Compaq WL410 Wireless SMB Access Point	191811-001
	Compaq WL310 Home Office Access Point	191813-001
	Compaq Range Extender Antenna	230268-B21
Expansion Bases	Expansion Base	383500-xx1
	Expansion Base with Intel NIC	120266-xx1
	Expansion Base Tower Stand	123129-B25
	Convenience Base	382500-xx1
	Convenience Base with Intel NIC	120971-xx1
	Convenience Base Monitor Cover	122931-xx1
	Port Replicator EM	382300-xx1
	<p>NOTE: The Evo Notebook N400c requires the optional Mobile Expansion Unit (MEU) for docking with any of the expansion bases listed above.</p>	
Power	4-cell primary Lithium-Ion battery (internal)	232593-B25
	4-cell secondary Lithium-Ion battery (external)	236309-B25
	4-cell secondary Lithium-Ion high capacity travel battery (external)	236310-B25
Common Power Solutions	MultiBay Battery (6-cells)*	387937-B25
	External Battery Charger **	135555-xxx
	AC Adapter 50W	120765-xxx
	Auto Power Adapter/Charger	401043-B25
	Aircraft Power Adapter	386504-B21
	AC Line Cord (3.1 m/10-ft)	217932-xx2
	<p>NOTE: * = Use of this option with the Evo Notebook N400c requires the optional Mobile Expansion Unit (MEU).</p> <p>NOTE: ** = The Universal Battery Charger will charge the N400c external handle batteries. It will not charge the N400c internal primary battery.</p>	

Options

Input Devices	External Enhanced III Keyboard (carbon)	118003-008
	Compaq 2 Button Mouse (carbon)	103180-B21
	USB 2 Button Scroll Mouse (carbon)	195255-B25
	External 10-Key Numeric Keypad (carbon)	294317-B21
	USB EZ Access Keyboard	222726-xxx

Security	Biometric PC Card	146805-B25
	Security Cable Lock	294316-B21
	Compaq Smart Card PC Card Reader	135646-B25

Useful Accessories	MP1400 Microportable Projector	174626-xx1
	MP1800 Microportable Projector	180226-xx1
	MP2800 Microportable Projector	180228-xx1
	Multimedia Adapter & Remote Kit (comes with the MP1800)	174963-001
	MP1600 Video Adapter	116298-001
	MP1600 Lamp replacement kit	118052-001
	MP1800/1400 Lamp replacement kit	189789-001
MP2800 Lamp replacement kit	215464-001	

Carrying Cases	Compaq Ultralight Case (nylon)	167336-B21
	Compaq Ultralight Case (leather)	242359-B25
	Compaq Plus Case	242360-B25
	Compaq Professional Case (nylon)	242361-B25
	Compaq Professional Case (leather)	242362-B25
	Evo Notebook N400c, Armada M300 and Armada M700 specific	
	Compaq M Series Portfolio Case	167337-B21

Memory

Compaq Evo Notebook N400c

Standard Memory

0-MB of memory on system board,
 2 Slots total
 1-128-MB DIMM installed in Slot 1
 1-Additional open Memory Slot

Memory	Slot 1	Slot 2
	128 MB	Empty

Standard Memory with Optional Memory Upgrades

Support for up to 512-MB of SDRAM is available with the installation of optional SDRAM Memory Upgrades.

Up to	Slot 1	Slot 2
128 MB	128 MB	Empty
192 MB	128 MB	64 MB
256 MB	128 MB	128 MB
320 MB	256 MB	64 MB
384 MB	256 MB	128 MB
512 MB	256 MB	256 MB

NOTE: This chart does not represent all possible memory configurations. Due to the non industry standard nature of some third-party memory modules, we strongly recommend using only Compaq branded memory modules to ensure compatibility.

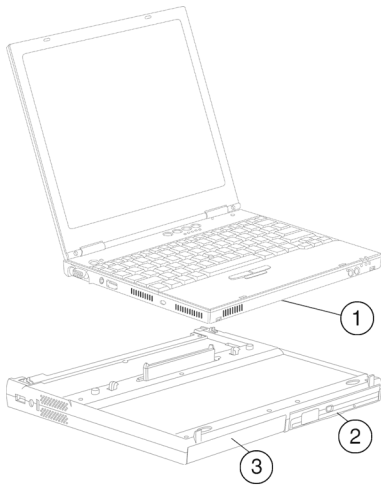
Following are memory options available from Compaq:

256-MB (100-MHz) Memory Upgrade	161554-B21
128-MB (100-MHz) Memory Upgrade	400313-B21
64-MB (100-MHz) Memory Upgrade	400312-B21
32-MB (100-MHz) Memory Upgrade	400311-B21
128-MB (133-MHz) Memory Upgrade	197987-B25
64-MB (133-MHz) Memory Upgrade	197986-B25

NOTE: Due to the non-industry standard nature of some third-party memory modules, we strongly recommend using only Compaq branded memory modules to ensure compatibility.

NOTE: 256-MB and 512-MB 133-MHz memory are not compatible with the Evo Notebook N400c.

Storage



- 1. Hard Drive
- 2. MultiBay
- 3. MultiBay

Drive Support

System Drive Support

Removable Media

1.44-MB Diskette Drive

Quantity Supported

Up to 1

Drive Supported

External connects via parallel port

Hard Drives

20-GB 4200 rpm SMART Hard Drive

Up to 1

Hard Drive Bay

MEU Drive Support

Removable Media

1.44-MB Diskette Drive

Quantity Supported

Up to 1

Drive Bay Supported

MultiBay

CD-RW Drive

Up to 2

MultiBay

DVD-ROM Drive

Up to 2

MultiBay

CD-ROM Drive

Up to 2

MultiBay

DVD/CD-RW Combo Drive

Up to 2

MultiBay

Zip 250 Drive

Up to 2

MultiBay

Super Disk 2X LS-120 Drive

Up to 2

MultiBay

Secondary Hard Drives

10-GB SMART Hard Drive

Up to 2

MultiBay

20-GB SMART Hard Drive

Up to 2

MultiBay

30-GB SMART Hard Drive

Up to 2

MultiBay

Technical Specifications

System Unit	Dimensions (HxWxD)	12.1-inch TFT panel display	0.89 x 10.5 x 9.5 in (2.2 x 26.6 x 24.2 cm)
	Weight	Minimum/Maximum	3.5 lb (1.58 kg)
	Stand-Alone Power Requirements	Nominal Operating Voltage (Li-Ion)	14.8 VDC
		Maximum Operating Power	40W
		Peak Operating Power	50W
	Temperature	Operating	50° to 95°F (10° to 35°C)
		Non-operating	-4° to 140°F (-20° to 60°C)
	Relative Humidity	Operating	10% to 90% relative humidity, non-condensing
		Non-operating	5% to 90% relative humidity, 101.6°F (38.7°C) maximum wet bulb temperature
	Shock	Operating	10 G, 11 ms, half-sine
Non-operating		60 G, 11 ms, half-sine	
Vibration	Operating	0.5 G, 10 to 500 Hz, 0.5 Oct/Min sweep rate	
	Non-operating	1.0 G, 10 to 500 Hz, 0.5 Oct/Min sweep rate	
Maximum Altitude (unpressurized)	Operating	0 to 10,000 ft (3,048 m) (14.7 to 10.1 psia)	
	Non-operating	0 to 30,000 ft (9,144 m) (14.7 to 4.4 psia)	

12.1-Inch Color TFT XGA Display	Dimensions (H x W)	10.3 x 7.8 in (26.1 x 19.9 cm)	
	Diagonal Size	12.1 in (30.7 cm)	
	Mounting	Internal	
	Number of Colors	16M	
	Contrast Ratio	125:1	
	Refresh Rate	60 Hz	
	Brightness	130 nit typical AC only/70 on battery 115 nit minimum	
	Pixel Resolution	Pitch	0.264 x 0.264 mm
		Format	1024 x 768
		Configuration	RGB Stripe
Backlight	CCFT		
Character Display	80 x 25		
Total Power Consumption	4W		

Technical Specifications

Hard Drives

20-GB	MultiBay Drive Adapter	Dimensions (H x W x D)	0.5 x 5.21 x 4.97 in (1.27 x 13.25 x 12.61 cm)
		Weight	0.15 lb (0.07 kg)
	Drive Weight	0.21 lb (95 g)	
	Capacity	20 GB	
	Height	0.374 in (9.5 mm)	
	Width	2.5 in (70 mm)	
	Interface	ATA	
	Transfer Rate Synchronous (maximum)	100 MB/s (Drive Capability)	
	Seek Time (typical reads, including settling)	Single Track	3 ms
		Average	12 ms (read)
Full-Stroke		23 ms	
Rotational Speed		4200 rpm	
Logical Blocks	~ 39,070,080		

External AC Adapter	Weight	0.39 lb (0.18 kg)	
	Power Supply (Input)	Operating Voltage	90 to 260 VAC RMS
		Operating Current	1.3 A RMS
		Operating Frequency Range	47 to 63 Hz AC
		Maximum Transient	4/50 kV

Internal Lithium-Ion Battery Pack	Weight	0.49 lb (0.22 kg)	
	Cells	4-cell Lithium-Ion	
	Energy	Voltage	14.4 V
		Amp-hour capacity	1.96 Ah
		Watt-hour capacity	28Wh
	Temperature	Operating	41° to 95°F (5° to 35°C)
		Non-operating	-4° to 140°F (-20° to 60°C)
	Battery Re-Charge Time	System in OFF mode or Standby	2 hours
		System ON (depending of system power consumption)	2-5 hours

Secondary Lithium-Ion Battery Pack	Dimensions (H x W x D)	0.9 x 10.47 x 0.9 in (2.3 x 26.6 x 2.3 cm)	
	Weight	0.49 lb (0.22 kg)	
	Cells	4-cell Lithium-Ion	
	Energy	Voltage	14.4 V
		Amp-hour capacity	1.96 Ah
		Watt-hour capacity	28Wh
	Temperature	Operating	41° to 95°F (5° to 35°C)
Non-operating		-4° to 140°F (-20° to 60°C)	

Technical Specifications

Secondary High Capacity Lithium-Ion Battery Pack	Dimensions (H x W x D)	1.8 x 10.6 x 1.2 in (4.6 x 26.6 x 2.3 cm)		
	Weight	0.93 lb (0.42 kg)		
	Cells	4-cell Lithium-Ion		
	Energy	Voltage	14.4 V	
		Amp-hour capacity	2.6 Ah	
		Watt-hour capacity	37.4 Wh	
	Temperature	Operating	41° to 95°F (5° to 35°C)	
		Non-operating	-4° to 140°F (-20° to 60°C)	

MultiBay Lithium-Ion Battery Pack (6-cell)	Dimensions (H x W x D)	0.5 x 5.21 x 4.97 in (1.27 x 13.25 x 12.61 cm)		
	Weight	0.81 lb (0.37 kg)		
	Energy	Voltage	10.8 V	
		Amp-hour capacity	2.8 Ah	
		Watt-hour capacity	30.2 Wh	
	Temperature	Operating	32° to 122° F (0° to 50° C)	
		Non-operating	32° to 140° F (0° to 60° C)	
	Battery Re-Charge Time	System in OFF mode or Standby	2 hours	
		System ON	2 to 5 hours	

MultiBay DVD/CD-RW Combo Drive	MultiBay Drive	Dimensions (H x W x D)	0.5 x 5.21 x 4.97 in (1.27 x 13.25 x 12.61 cm)	
		Weight	0.74 lb (0.33 kg)	
	Center Hole Diameter	0.59 in (1.5 cm)		
	Disk Diameter	12 cm/8 cm		
	Disk Thickness	0.047 in (1.2 mm)		
	Track Pitch	0.74 μm		
	Access Times (typical reads, including settling)	Random	< 150 ms	
		Full-Stroke	< 225 ms	
	Audio Output Level	Line-out	0.7 Vrms	
	Cache Buffer	128 KB (minimum)		
	Data Transfer Rate (typical, including settling)	CD-R (8X)	1200 KB/s (150 KB/s at 1X CD rate)	
		CD-RW (8X)	1200 KB/s (150 KB/s at 1X CD rate)	
		CD-ROM (24X)	3600 KB/s (150 KB/s at 1X CD rate)	
		DVD (8X)	10,800 KB/s (1352 KB/s at 1X DVD rate)	
		Normal PIO Mode 4 (single burst)	16.6 MB/s	
	Start-up Time	< 15 seconds		
Stop Time	< 6seconds			

Technical Specifications

MultiBay CD-RW Drive	MultiBay Drive	Dimensions (H x W x D)	0.5 x 5.21 x 4.97 in (1.27 x 13.25 x 12.61 cm)
		Weight	0.74 lb (0.33 kg)
	Center Hole Diameter	0.59 in (1.5 cm)	
	Disk Diameter	12 cm/8 cm	
	Disk Thickness	0.047 in (1.2 mm)	
	Track Pitch	0.74 μ m	
	Access Times	Random	< 150 ms
	(typical reads, including settling)	Full-Stroke	< 225 ms
	Audio Output Level	Line-out	0.7 Vrms
	Cache Buffer	128 KB (minimum)	
	Data Transfer Rate	Sustained (16X)	150 KB/s
	(typical, including settling)	Sustained 4X CD-RW	5,520 KB/s
		Normal PIO Mode 4 (single burst)	16.6 MB/s
	Start-up Time	< 15 seconds	
	Stop Time	< 6 seconds	

MultiBay DVD-ROM Drive	MultiBay Drive	Dimensions (H x W x D)	0.5 x 5.21 x 4.97 in (1.27 x 13.25 x 12.61 cm)
		Weight	0.66 lb (0.3 kg)
	Center Hole Diameter	0.59 in (1.5 cm)	
	Disk Diameter	12 cm/8 cm	
	Disk Thickness	0.43 in (1.09 cm)	
	Track Pitch	0.74 μ m	
	Access Times	Random (typical)	< 180 ms DVD Media
	(typical reads, including settling)	Full-Stroke (typical)	< 300 ms DVD Media
		Random (typical)	< 120 ms CD Media
		Full-Stroke (typical)	< 200 ms CD Media
	Cache Buffer	512 KB/s (minimum)	
	Data Transfer Rate	Max 24X CD	3600 KB/s (150 KB/s at 1X CD rate)
	(typical, including settling)	Max 8X DVD	10,800 KB/s (1352 KB/s at 1X DVD rate)
		Normal PIO Mode 4 (single burst)	16.6 MB/s
	Start-up Time	< 12 seconds	
	Stop Time	< 3 seconds	

Technical Specifications

MultiBay 24X CD-ROM Drive	MultiBay Drive	Dimensions (H x W x D)	0.5 x 5.21 x 4.97 in (1.27 x 13.25 x 12.61 cm)
		Weight	0.50 lb (0.22 kg)
	Applicable Disk	CD-ROM (Mode 1, 2 and 3), CD-XA ready (Mode 2, Form 1 and 2), CD-I ready (Mode 2, Form 1 and 2), CD-R (read only), CD Plus, Photo CD (Single and Multi-session), CD-Extra, Video CD, CD-WO (fixed packets only), CD-Bridge	
	Center Hole Diameter	0.59 in (15 mm)	
	Disk Diameter	12 cm, 8 cm	
	Disk Thickness	0.047 in (0.12 cm)	
	Track Pitch	1.6 μ m	
	Access Times (typical reads, including settling)	Random	< 150 ms
		Full-Stroke	< 300 ms
	Audio Output Level	Line-out	0.7 Vrms
	Cache Buffer	128 KB	
	Data Transfer Rate (typical, including settling)	Sustained (16X)	150 KB/s (sustained 1X)
		Variable	1500 to 3600 KB/s (10X to 24X) ^v
		Normal PIO Mode 4 (single burst)	16.66 MB/s
Start-up Time	< 8 seconds		
Stop Time	< 4 seconds		

MultiBay Diskette Drive	MultiBay Drive	Dimensions (H x W x D)	0.5 x 5.21 x 4.97 in (1.27 x 13.25 x 12.61 cm)
		Weight	0.51 lb (230 g)
	Diskette Size	3.5 in	
	Activity Indicator	On system	
	Height	0.5 in (1.27 cm)	
	Bytes per Sector	512	
	Sectors per track	High density	18 (1.44 MB)/15 (1.2 MB)
		Low density	9
	Tracks per side	High density	80 (1.44 MB)/80 (1.2 MB)
		Low density	80
	Read/Write heads	2	
	Access Times	Track-to track (high/low)	3 ms/6 ms
		Average (high/low)	94 ms/174 ms
		Settling time	15 ms
	Latency average	100 ms	

Technical Specifications

MultiBay SuperDisk 2X LS-120 Drive

Dimensions (H x W x D)	0.5 x 5.21 x 4.97 in (1.27 x 13.25 x 12.61 cm)	
Weight	0.61 lb (0.28 kg)	
Maximum Transfer Rate	From Disk	896 KB/s
	Sustained	375 to 900 KB/s
120 MB Physical Format	Number of Heads	2
	Bytes per Sector	512
	Sectors per Track	51 to 92
	Zones/Side	55
	Data Tracks per Side	1736
	Servo Tracks	900
	Sector Interleave	1:1
Access Times (including setting)	Track-to-track	20 ms
	Average	70 ms
	Latency Average	41.67
Operating Conditions	Temperature	41° to 131° F (5° to 55° C)
	Humidity	10% to 80% RH
Operating System Support	Microsoft Windows 95, Windows NT 4.0	
Option Kit Contents	LS-120 Drive, 17 mm MultiBay Adapter, Software, Documentation	

NOTE: Drivers for the LS-120 Drive are standard in Microsoft Windows 95/OSR2, Windows NT 3.51/SP5, and Windows NT 4.0. Use the LS-120 Option Support Diskette (included in option kit) with earlier releases of Windows 95 and NT 3.51.

MultiBay Iomega Zip 250 Drive

Dimensions (H x W x D)	5.26 x 5.24 x 5.71 in (13.35 x 13.3 x 14.5 cm)	
Weight	9.8 oz or Xg (277.8 g)	
Transfer Rates	250 Media: 1200 – 2400 KB/s	
	100 Media: 138 – 1400 KB/s	
Access Times (including setting)	Track-to-track: 5 ms	
	Average: 40 ms	
	Latency Average: 10 ms	
	Maximum: 70 ms	
Operating Conditions	Temperature	41° to 124.7° F (5° to 51.5° C)
	Humidity	10% to 80% RH
Operating System Support	Microsoft Windows 95, 98, Windows NT 4.0, Windows 2000, Windows Me	
Option Kit Contents	Zip 250 Drive, Documentation	

Technical Specifications

802.11b MultiPort Module	Form Factor	Compaq "MultiPort"
	Weight	0.22 lb (100 g) (maximum)
	Operating Temperature	Operating, 14° to 149° F (-10° to 65° C)
	Storage Temperature	Non-operating, -40° to 176° F (-40° to 80° C)
	Humidity	Operating 10% to 90% Non-operating 5% to 95%
	Altitude	Operating 0 to 15,000 ft (4,572 m) Non-operating 0 to 40,000 ft (12,192 m)
	Plug and Play	USB 1.1 compliant Microsoft Windows Plug and Play compliant
	RF Network Standard	IEEE 802 Part 11b (802.11b)
	Frequency Band	2.4000 to 2.4835 GHz 2.4465 to 2.4835 GHz (France) 2.4000 to 2.4697 GHz (Japan)
	Number of Selectable Sub-channels	Worldwide Certification United States (FCC) 11 France (FR) 4 Japan (JP) 14 Other countries 13
	Data Rates	1, 2, 5.5, 11 Mbps
	Antenna type	Internally integrated within module (with special polarization diversity)
	WEP Security	64-bit encryption keys compliant to IEEE 802.11 128-bit encryption key compliant to IEEE 802.11 Ability to enter keys manually or via pass-phrase
	Network Architecture Models	Ad-hoc (Peer to Peer) Infrastructure (Access Points Required)
	Modulation Technique	Direct Sequence Spread Spectrum: DBPSK, DQPSK, CCK
	Receiver Sensitivity – Bit Error Rate (1E-5)	11 Mbps -85 dBm 5.5 Mbps -87 dBm 2 Mbps -91 dBm 1 Mbps -94 dBm
	Maximum Receive Level	-4 dBm
	Output Power (approximately)	18 dBm
	Operating Voltage	5V power operation
	Power Management	Keystroke Fn+F2 Power On/Off control
	Power Consumption	Transfer mode: < 600 mA, maximum Receive mode: > 400 mA, maximum Standby mode: > 1 mA, maximum
	Transmit Power	10 to 100mW It is preferable to have the user configurable output power to save battery life for laptop users or in high AP coverage areas
	Power Saving Option	802.11 Compliant Power Saving Power Saving Mode selectable through the configuration utility ACPI compliant power management
	Media Access Protocol	CSMA/CA (Collision Avoidance) with ACK
	OS Support	Microsoft Windows 98/98SE Microsoft Windows 2000 Microsoft Windows Millennium
	Protocols Supported	TCP/IP IPX/SPX UDP

Technical Specifications

Transmit Power	10 to 100mW It is preferable to have the user configurable output power to save battery life for laptop users or in high AP coverage areas
LED Activity	Flashing LED – AP Search Mode Solid LED – On LED Off – Power Off

Throughput, Data Rate and Operating Distance	Throughput	Data Rate	Operating Distance
	> 4.5 Mbps	11 Mbps	<ul style="list-style-type: none"> ● 1000 feet – Open sight ● 100 feet – Closed space (Steel Space)
	> 2 Mbps	5.5 Mbps	<ul style="list-style-type: none"> ● 1100 feet – Open sight ● 200 feet – Closed space (Steel Space)
	> 700 Kbps	1 Mbps	<ul style="list-style-type: none"> ● 1200 feet – Open sight ● 300 feet – Closed space (Steel Space)

Bluetooth MultiPort Module	Form Factor	Compaq "MultiPort"		
	Bluetooth	1.1 Compliant		
	Dimensions	2.2 x 6.6 x 0.55 in (5.6 x 16.7 x 1.4 cm)		
	Weight	0.22 lb (100 g) (maximum)		
	Temperature	Operating	-50° to 104° F (10° to 40° C)	
		Non-operating	-4° to 140° F (-20° to 60° C)	
	Humidity	Operating	10% to 90%	
		Non-operating	5% to 95%	
	Altitude	Operating	0 to 10,000 ft (3,048 m)	
		Non-operating	0 to 30,000 ft (9,144 m)	
	Plug and Play	USB 1.1 compliant		
		Microsoft Windows Plug and Play compliant		
	Frequency Band	2,4000 to 2.4835 GHz		
	Number of Available Channels	79 (1 MHz) available channels		
Data Rates and throughput	1 Mbps			
	Synchronous Connection Oriented links up to 3, 64 kbps, voice channels Asynchronous Connection Less links 723.2 kbps/57.6 kbps asymmetric or 433.9 kbps symmetric			
Antenna type	Internally integrated within module (with special polarization diversity)			
Range	328 ft (100 m)			
Profile Support	General Access Profile Service Discovery Application Profile Serial Port Profile Generic Object Exchange Profile File Transfer Profile Synchronization Profile Dial-Up Networking Profile LAN Access Profile Object Push Profile			

Technical Specifications

Usage Models	Service Discovery (determine what Bluetooth devices are within range and support authorization) Synchronization: PDAs to PCs Portable to Desktop File Transfer: File and directory browsing and navigation on another Bluetooth device. File copying Object manipulation – including add, delete, create new folders etc. Wireless link to Corporate LAN using several Bluetooth devices sharing the same Access Point: Corporate email, network neighborhood, access to LAN applications, file transfer, ftp, Internet browsing, etc, using TCP/IP Wireless link to WAN thru cell phone GSM/SMS, PCS, PHS, DECT, RAM, ARDIS, CDPD, etc. Agnostic to WAN technology Send/receive SMS messages Wireless link to Printer Adhoc peer to peer networking (two computers) or Personal Area Networking (PAN) using NDIS (< 7 computers) Adhoc Bluetooth Pico-networking (point to multi-point) Object Push – Business card or appointment exchange
Transmit Power	< 20 dBm (Bluetooth Class 1)
Receive Sensitivity	Better than -70 dBm at 0.1 % raw bit error rate
Link Topology	Point to Point, Multipoint Pico Nets up to 7 slaves
Security	Full support of Bluetooth Security Provisions
Network Architecture Models	Ad-hoc (Peer to Peer) Infrastructure (Access Points Required)
Power Requirement	Peak < 1500 mW Average < 500 mW Standby < 250 mW
Power Management	Microsoft Windows ACPI, and USB Bus Support Keystrokes Fn+F2 Power On/Off control Self configurable to optimize power conservation in all operating modes, including Standby, Hold, Park, and Sniff
OS Support	Microsoft Windows 98/98SE Microsoft Windows 2000 Microsoft Windows Millennium
Protocols Supported	TCP/IP IPX/SPX UDP
LED Activity	Solid Blue LED – On LED Off – Power Off
Certifications	All necessary regulatory approvals for countries we support including: - FCC (47 CFR) Part 15C, Section 15.247 & 15.249 - ETS 300 328, ETS 300 826 - Low Voltage Directive IEC950 - UL, CSA, and CE Mark

Technical Specifications

Type III Mini PCI 56K (V.90) Modem plus 10/100 NIC Combo

Form Factor	Mini-PCI Type III per Specification
OS Support (with all released Service Packs)	Microsoft Windows 98 (Gold, SE), Windows NT4.0, Windows 2000, Windows Millennium Edition, DOS Application Support under Windows
Power Management Support	APM Revision 1.2, ACPI, Compaq Power Management Extensions for Microsoft Windows NT
Approvals/Certifications	UL, CSA, NEMKO, CCIB, Industry Canada, FCC Part 68, CTR21, FCC Part 15 Class B, Canadian ICES-003 Class B, C.I.S.P.R.22, Australian ACA, CE Mark, Other Countries
Modem Device Driver Name	Lucent Win Modem
Data Mode Capabilities	V.90 (a-law, mu-law) K56flex (a-law, mu-law) V.8bis V.80 V42.bis, MNP5 (Compression) V.42 (LAPM, MNP2-4) (Error Correction) V.34 (file date: 10/96) Optional symbol rates: 2800, 3429 Asymmetric Symbol rates Synchronous primary channel data signaling rates: 3600, 31200 Automatic rate re-negotiation V.32bis V.32 V.23 V.22bis V.22 V.21 Bell 212A Bell 103J
Fax Mode Capabilities	TIA-578-S (Class 1) T.30, T.4 (Group 3) V.17 V.29 V.27ter V.21 Channel 2
Command Set	V.250 (Partial) TIA-602 Identification: +GMI, +GMM, +GMR Port control: +IPR, +ICF, +IFC, +IIRR Modulation: +MS, +MR, +MA Error control: +ES, +ER, +EB, +ESR, +ETBM Data compression: +DS, +DR V.251
NIC Device Driver Name	Intel PRO/100 P Mobile Combo Adapter
Data Link Layers	IEEE 802.2 LLC SNAP

Technical Specifications

Ethernet Features	10 Mbps Ethernet: IEEE 802.3 standard 10BASE-T 100 Mbps Ethernet: IEEE 802.3u standard 100BASE-TX Full Duplex at 10 and 100Mbps Auto-Negotiation Wake on LAN from all power managed states, including soft off (S5) Boot on LAN from OFF Lower Power State on Link Loss
Software support	IBM LAN Server Version 1.2, 1.3, 2.0, 4.0 Microsoft NT 3.51, NT 4.0. Windows 2000 Novell Netware 3.1x, 4.x, 5.x
Protocol support	TCP/IP Novell IPX/SPX and Microsoft compatible Novel IPX ODI Microsoft NetBEUI IBM DLC

©2003 Hewlett-Packard Development Company, L.P.

All rights reserved. Microsoft, and Windows are registered trademarks or trademarks of Microsoft Corporation in the U.S. and/or other countries. Pentium, the Intel, Inside Logo, Centrino and SpeedStep are registered trademarks or trademarks of Intel Corporation in the U.S. and/or other countries. BatteryMark is a trademark of Ziff Davis Publishing Holdings Inc., and affiliate of eTesting Labs Inc., in the U.S. and other countries. All other product names mentioned herein may be trademarks of their respective companies.

The information contained herein is subject to change without notice and is provided "as is" without warranty of any kind. The warranties for HP products are set forth in the express limited warranty statements accompanying such products. Nothing herein should be construed as constituting an additional warranty. HP shall not be liable for technical or editorial errors or omissions contained herein.