



Hewlett Packard
Enterprise

Aruba 2540 24G/48G Switch Quick Setup Guide and Safety/Regulatory Information

Abstract

Use this guide to assist in the basic set-up of the following Aruba 2540 24G and 48G switch models:

JL354A Aruba 2540 24G 4SFP+ Switch

JL356A Aruba 2540 24G PoE+ 4SFP+ Switch

JL355A Aruba 2540 48G 4SFP+ Switch

JL357A Aruba 2540 48G PoE+ 4SFP+ Switch



Part Number: 5200-2075

Published: April 2016

Edition: 1

© Copyright 2016 Hewlett Packard Enterprise Development LP

The information contained herein is subject to change without notice. The only warranties for Hewlett Packard Enterprise products and services are set forth in the express warranty statements accompanying such products and services. Nothing herein should be construed as constituting an additional warranty. Hewlett Packard Enterprise shall not be liable for technical or editorial errors or omissions contained herein.

Confidential computer software. Valid license from Hewlett Packard Enterprise required for possession, use, or copying. Consistent with FAR 12.211 and 12.212, Commercial Computer Software, Computer Software Documentation, and Technical Data for Commercial Items are licensed to the U.S. Government under vendor's standard commercial license.

Links to third-party websites take you outside the Hewlett Packard Enterprise website. Hewlett Packard Enterprise has no control over and is not responsible for information outside the Hewlett Packard Enterprise website.

Applicable products

Aruba 2540 24G 4SFP+ Switch	JL354A
Aruba 2540 48G 4SFP+ Switch	JL355A
Aruba 2540 24G PoE+ 4SFP+ Switch	JL356A
Aruba 2540 48G PoE+ 4SFP+ Switch	JL357A

Contents

Aruba 2540 24G/48G Switch Quick Setup Guide and Safety/Regulatory Information.....	4
Installation precautions.....	4
Prepare for installation.....	5
Mounting Aruba 2540 24-Port and 48-Port switches.....	6
Two-post rack mounting option:.....	6
Tabletop or desktop mounting option.....	7
Connecting the switch to the network.....	8
SFP/SFP+ installation notes.....	10
Use only genuine HPE Aruba SFP/SFP+ transceivers.....	10
Hot Swapping SFP/SFP+ transceivers.....	11
SFP/SFP+ connections to devices with fixed speed/duplex configurations.....	11
Switch Operating System Software.....	11
Regulatory information.....	11
Power cords.....	11
Aruba 2540 Switch Safety and Regulatory Information.....	12
Japan VCCI Class A.....	13
Korea EMC Class A Statement.....	13
EAC.....	14
Documentation feedback.....	14

Aruba 2540 24G/48G Switch Quick Setup Guide and Safety/Regulatory Information

NOTE: The switch drawings in this document are for illustration only and may not match your particular switch model.

NOTE: For switch and accessories installation information, browse to the manuals for your switch model at www.hpe.com/networking/ResourceCenter.

Installation precautions

WARNING!

- The rack or cabinet should be adequately secured to prevent it from becoming unstable and/or falling over.
 - Devices installed in a rack or cabinet should be mounted as low as possible, with the heaviest devices at the bottom and progressively lighter devices installed above.
-

CAUTION:

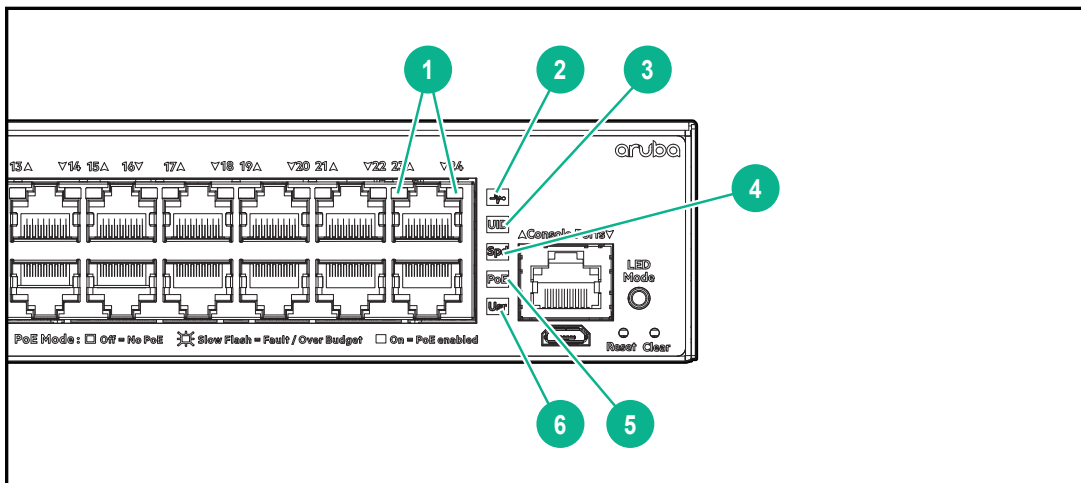
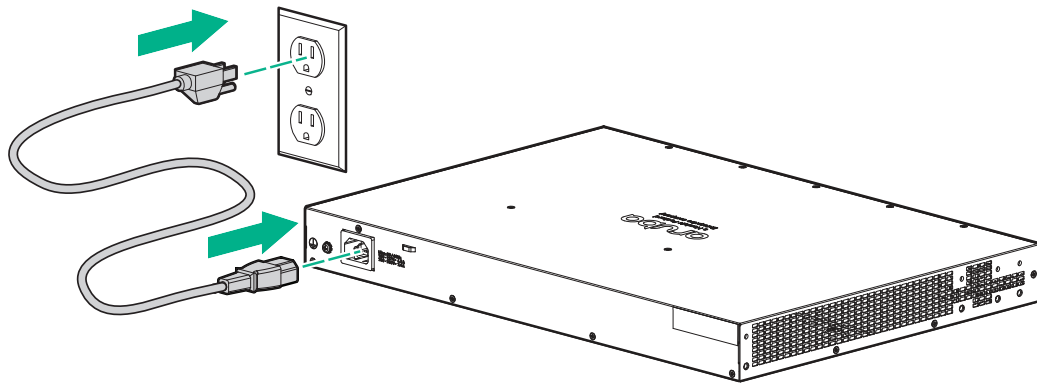
- Do not ship any switch in a rack without checking for restrictions in the *Aruba 2540 Switches Installation and Getting Started Guide*. Otherwise, you may void the switch warranty.
 - Ensure the power source circuits are properly grounded, then use the power cord supplied with the switch to connect it to the power source.
 - Use only approved power cords with your Aruba Networking Product. Please see the power cord information in the section titled “[Power cords](#)” (page 11) of this guide for acceptable power cords that are appropriate for this product. Failure to use approved power cords can result in personal injury and product damage, and may void your product warranty.
 - If your installation requires a different power cord than the one supplied with the switch, be sure the cord is adequately sized for the switch’s current requirements. In addition, be sure to use a power cord displaying the mark of the safety agency that defines the regulations for power cords in your country. The mark is your assurance that the power cord can be used safely with the switch and power supply.
 - When installing the switch, the AC outlet should be near the switch and should be easily accessible in case the switch must be powered off.
 - Do not install the switch in an environment where the operating ambient temperature exceeds its specification. See the section titled “[Aruba 2540 Switch Safety and Regulatory Information](#)” (page 12).
 - Ensure the switch does not overload the power circuits, wiring, and over-current protection. To determine the possibility of overloading the supply circuits, add together the ampere ratings of all devices installed on the same circuit as the switch and compare the total with the rating limit for the circuit. The maximum ampere ratings are usually printed on the devices, near the AC power connectors.
 - Ensure the air flow around the switch is not restricted. Leave at least 3 inches (7.6 cm) for cooling on the sides and rear of the switch. For other available air flow information, see the *Aruba 2540 Switches Installation and Getting Started Guide*, located on the Hewlett Packard Enterprise Information Library at www.hpe.com/networking/ResourceCenter.
-

Prepare for installation

1. Unpack and check included parts:
 - Switch
 - Console cable
 - Accessory kit (installation hardware)
 - Power cord
 - Documentation kit
2. Prepare for installation.

⚠ CAUTION: To avoid personal injury or product damage, review the “Installation precautions” (page 4) before beginning the installation.

3. Power on and verify that self-test completes normally. An Aruba 2540 24G or 48G switch does not contain a power on/off switch. It is turned on by connecting the AC power cord to the switch and to an AC power source.



1	Port LEDs: Off after self-test unless a network cable is connected and the port is receiving link beat.
2	Global Status LED: Green after self-test in default configuration.
3	Locator/Unit-Identification LED: Off after self-test.
4	Speed Mode Selected LED: Off after self-test in default configuration.

5	PoE Mode Selected LED (Only on Aruba 2540 models that support PoE+ operation): Off after self-test in default configuration.
6	User Mode Selected: Off after self-test in default configuration.

4. Remove the power cord from the switch and the power source.

Mounting Aruba 2540 24-Port and 48-Port switches

Supported mounting options for the Aruba 2540 24-Port and 48-Port switches include:

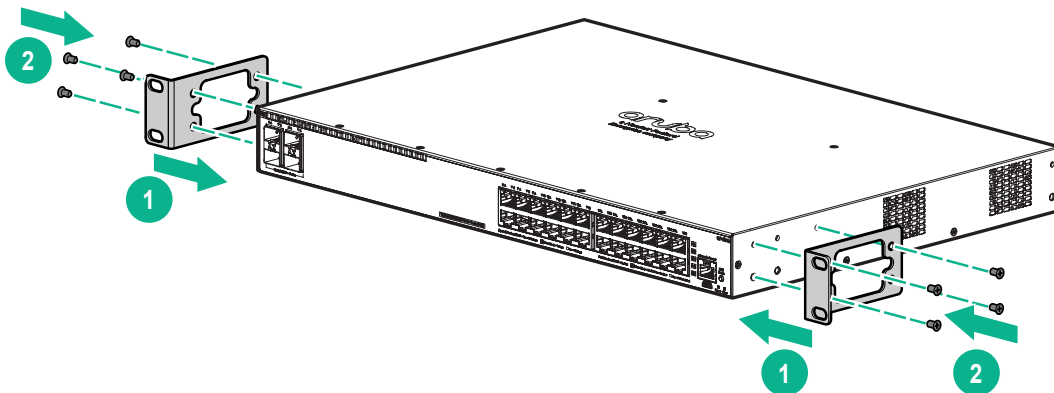
- Rack mount
- Tabletop or desktop mount

ⓘ **IMPORTANT:** Wall-mounting or under-table mounting Aruba 2540 24G and 48G switches is not supported.

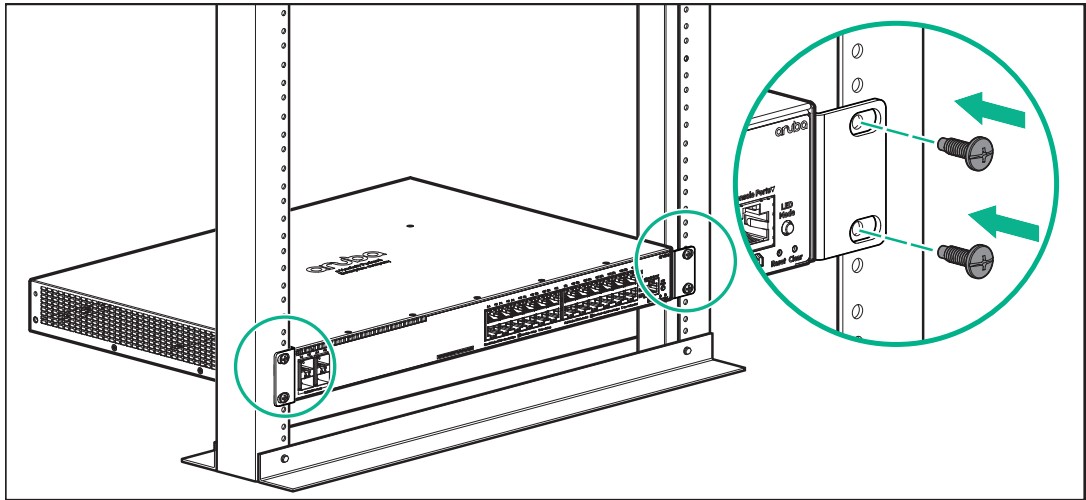
Two-post rack mounting option:

NOTE: For the four-post rack-mount option, see the *Aruba 2540 Switches Installation and Getting Started Guide* at www.hpe.com/networking/ResourceCenter.

1. Use a #1 Phillips (cross-head) screwdriver to attach the accessory kit brackets to the switch using the eight 8-mm M4 screws.



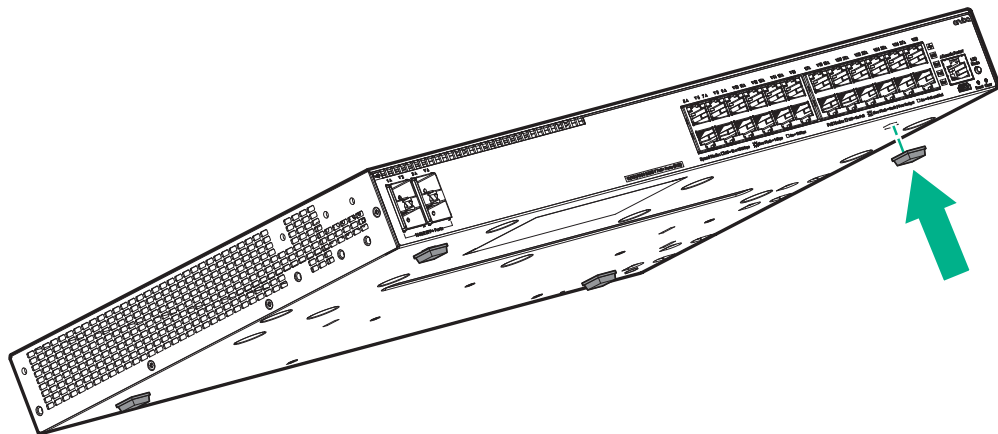
2. Use the four number 12–24 screws to secure the brackets to the rack.



3. Go to [“Connecting the switch to the network”](#) (page 8).

Tabletop or desktop mounting option

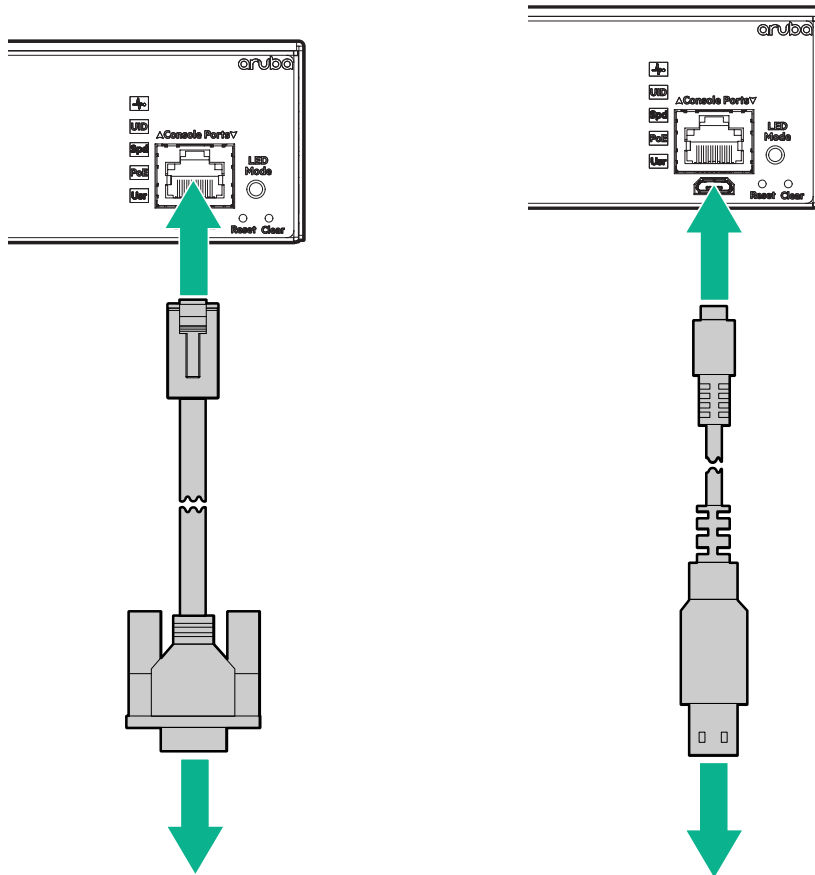
1. Attach the four self-adhesive pads (included in the accessory kit) to the bottom corners of the switch, and place the switch on a secure horizontal surface.



2. Go to [“Connecting the switch to the network”](#) (page 8).

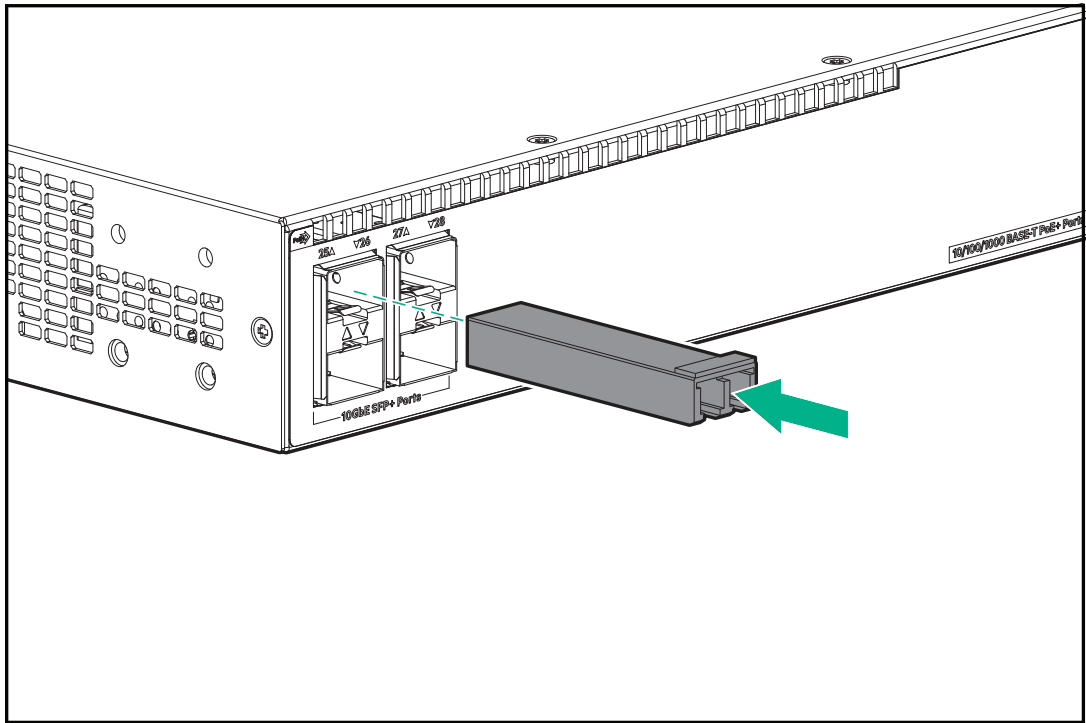
Connecting the switch to the network

1. (Optional) Connect an RJ-45 console cable (included) and/or a micro-USB console cable (not included) to a VT-100 terminal or a PC (running suitable terminal emulation software).



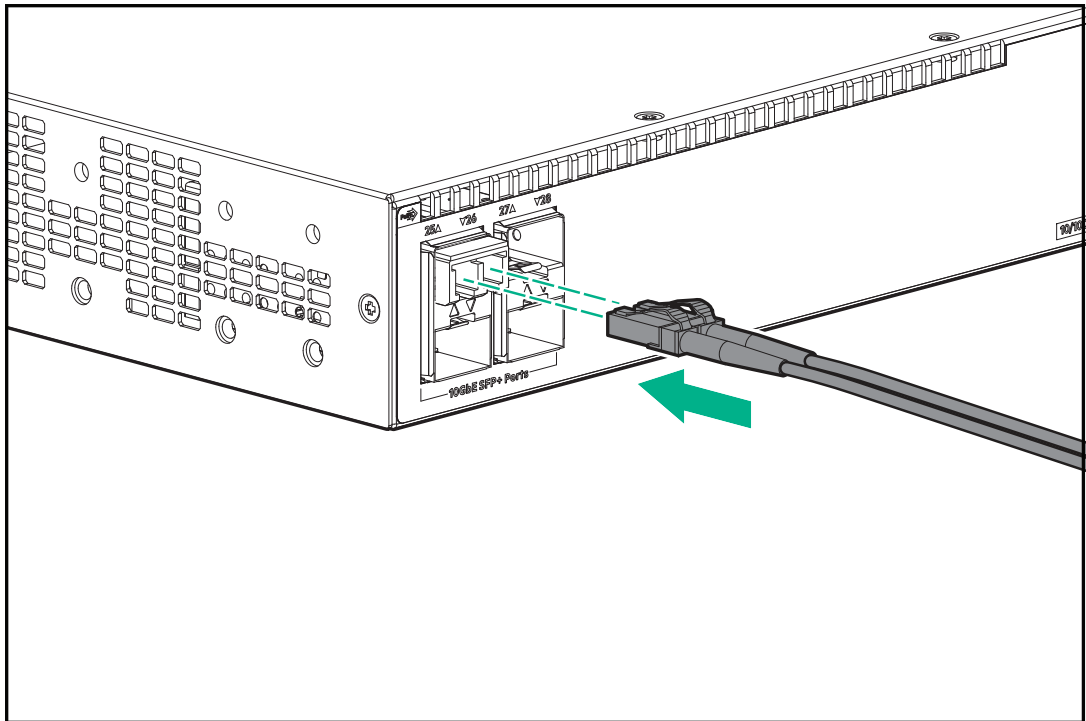
NOTE: If both cables are connected, input is accepted only from the Micro USB connector. For more information, see the information on connecting a management console in the *Aruba 2540 Switches Installation and Getting Started Guide* at www.hpe.com/networking/ResourceCenter.

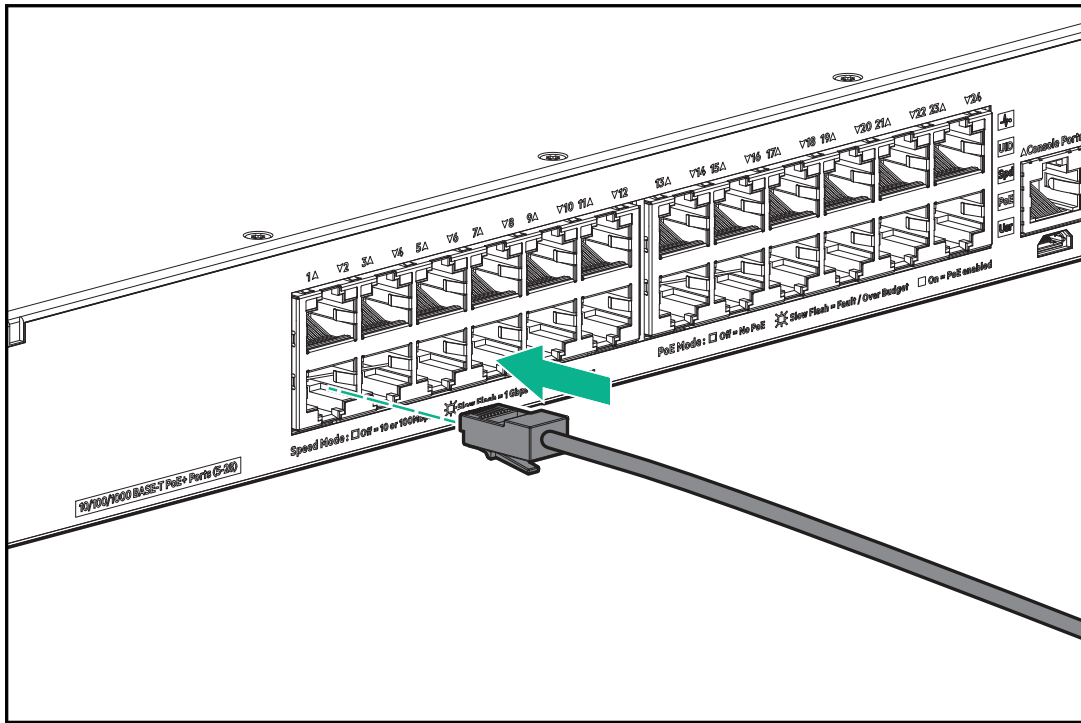
2. (Optional) Insert transceivers.



NOTE: To ensure proper operation of your switch, use only genuine HPE Aruba SFP/SFP+ transceivers supported by your switch. For more information on using transceivers, see [“SFP/SFP+ installation notes”](#) (page 10).

3. Connect network cables.





NOTE: In the factory default configuration, the switch automatically obtains its IP network settings from a DHCP or BootP server after connecting to the network. If you do not use direct console access to initially determine the switch IP address, you can determine the assigned IP address by inspecting your DHCP/BootP server or by querying LLDP information from another, directly connected neighbor switch. CLI LLDP commands for an ArubaOS neighbor switch are listed below.

<pre>show lldp info remote port_#</pre>	<p>For the specified port on the neighbor switch, lists the IP address and other data for the directly connected Aruba 2540 switch (where <i>port_#</i> is the port used on the neighbor switch to access the Aruba 2540 switch you are setting up).</p>
<pre>show lldp info remote all</pre>	<p>Lists IP address and other data on all active ports on the neighbor switch.</p>

SFP/SFP+ installation notes

NOTE: To ensure proper operation of your switch, use only the genuine HPE Aruba SFP/SFP+ transceivers supported by your switch. When selecting a fiber SFP device, make sure it can function at a temperature that is not less than the recommended maximum operational temperature of the product. Use only approved Laser Class 1 SFP transceivers.

Use only genuine HPE Aruba SFP/SFP+ transceivers

Non-HPE Aruba SFP/SFP+ transceivers are not supported. Use of genuine HPE Aruba products ensures that your network maintains optimal performance and reliability. Should you require additional transceivers, please contact an HPE Aruba sales representative or an authorized reseller. For transceiver support information for your switch model, see the following two support matrixes in the Hewlett Packard Enterprise Information Library at www.hpe.com/networking/ResourceCenter:

- *HPE Networking Legacy ProCurve Product Family Mini-GBIC and SFP Support Matrix*
- *HPE Networking Legacy ProCurve Product Family 10–GBE Transceiver Support Matrix*

Hot Swapping SFP/SFP+ transceivers

Supported SFP/SFP+ transceivers that you can install in your HPE Aruba switch can be “hot swapped” – removed and installed while the switch is receiving power. However, you should disconnect the network cables from the SFP/SFP+ transceivers before hot-swapping them.

When you replace an SFP/SFP+ transceiver with another of a different type, the switch may retain selected port-specific configuration settings that were configured for the replaced unit. Be sure to validate or reconfigure port settings as required.

SFP/SFP+ connections to devices with fixed speed/duplex configurations

When connecting a device to your switch port that contains an SFP/SFP+ transceiver, the speed and duplex settings of the switch port and the connected device must match. Otherwise, you may not get a link. For some older network devices, including some older Hewlett Packard Enterprise devices, the default speed/duplex settings may be predefined (for example, to 1000 Mbps/Full Duplex), or otherwise set differently from the default configuration of your switch port. Because of these default speed/duplex considerations, you should make sure that devices connected to your SFP/SFP+ ports are properly configured. *At a minimum, make sure the configurations match.*

Switch Operating System Software

For the latest software version supported by your switch, visit <http://www.hpe.com/networking/support>.

For software installation and management, the Basic Operation Guide and other software documentation for your switch at www.hpe.com/networking/ResourceCenter.

Regulatory information

For important safety, environmental, and regulatory information, see *Safety and Compliance Information for Server, Storage, Power, Networking, and Rack Products*, available at <http://www.hpe.com/support/Safety-Compliance-EnterpriseProducts>.

Power cords

Use one of the following power cords for an Aruba 2540 switch:

Argentina	8121-0729	Israel	8121-1004
Australia/New Zealand	8121-0837	Japan	8121-1143
Brazil	8121-1071	Switzerland	8121-0738
Chile	8121-0735	South Africa	8121-0737
China	8121-0943	Taiwan	8121-0964
Continental Europe/South Korea	8121-0731	Philippines/Thailand	8121-0734
Denmark	8121-0733	UK/Hong Kong/Singapore/Malaysia	8121-0739
India	8121-0564	US/Canada/Mexico	8121-1141

Aruba 2540 Switch Safety and Regulatory Information

Category	Aruba 2540 Switches
Environmental	32°F to 113°F (0°C to 45°C) up to 5000 Ft 32°F to 104°F (0°C to 40°C) up to 10000 Ft
• Operating Temperature:	
• Operating Relative Humidity:	15% to 95% at 104°F (40°C) non-condensing
• Non-Operating/Storage Temperature:	–40°F to 158°F (–40°C to 70°C) up to 15000 ft
• Non-Operating/Storage Relative Humidity:	15% to 95% at 149°F (65°C), non-condensing
• Maximum Operating Altitude:	3.0 km (10,000 ft)
• Maximum Non-Operating Altitude:	4.6 km (15,000 ft)
Airflow direction	Side-to-Side
Safety-EU	EN 60950-1:2006 +A11:2009 +A1:2010 +A12:2011+A2:2013
Safety- World Wide	IEC60950-1:2005 Ed.2; Am 1:2009+A2:2013
North American	UL60950-1, CSA 22.2 No 60950-1
Lasers	EN60850-1:2007 / IEC 60825-1: 2007 Class1 Class 1 Laser Products / Laser Klasse 1
EMC:	EN 55022:2010, Class A EN 55024:2010 EN 6100–3–2:2006+A1:2009+A2:2009, Class A EN 61000–3–3:2008 FCC CFR 47 Part 15:2010, Class A
RoHS:	EN 50581:2012

2540 24/48–port switches Electrical	Rated AC voltage	Maximum AC current	PoE+ available power	AC power frequency range
Aruba 2540 24G 4SFP+ Switch (JL354A)	100–127V 200–240V	0.6A 0.4A	N/A	50/60 Hz
Aruba 2540 48G 4SFP+ Switch (JL355A)	100–127V 200–240V	0.9A 0.6A	N/A	50/60 Hz
Aruba 2540 24G PoE+ 4SFP+ Switch (JL356A)	100–127V 200–240V	4.9A 2.4A	370W	50/60 Hz
Aruba 2540 48G PoE+ 4SFP+ Switch (JL357A)	100–127V 200–240V	5.1A 2.5A	370W	50/60 Hz

Switch Model	Acoustics
Aruba 2540 24G 4SFP+ Switch (JL354A)	Sound Power (LWAd) 5.0 Bel Sound Pressure (LpAm) (Bystander) 37.1 dB
Aruba 2540 48G 4SFP+ Switch (JL355A)	Sound Power (LWAd) 5.4 Bel Sound Pressure (LpAm) (Bystander) 40.2 dB

Switch Model	Acoustics
Aruba 2540 24G PoE+ 4SFP+ Switch (JL356A)	Sound Power (LWAd) 5.4 Bel Sound Pressure (LpAm) (Bystander) 40.6 dB
Aruba 2540 48G PoE+ 4SFP+ Switch (JL357A)	Sound Power (LWAd) 5.6 Bel Sound Pressure (LpAm) (Bystander) 41.7 dB


△ **CAUTION:** Disconnect all power supply cords before servicing.

Table 1 Japan power cord warning

Japan Power Cord Warning	製品には、同梱された電源コードをお使い下さい。 同梱された電源コードは、他の製品では使用出来ません。
---------------------------------	---

Table 2 China Altitude Warning

China Altitude Warning	
安全说明和标记	仅适用于海拔 2000m 以下地区安全使用。

Interior Wiring Warning	 WARNING FOR INDOOR USE ONLY. The switch, AC power cord, and all connected cables are not designed for outdoor use.
--------------------------------	---

Brazil Statement	Este equipamento deve ser conectado obrigatoriamente em tomada de rede de energia elétrica que possua aterramento (três pinos), conforme a Norma NBR ABNT 5410, visando a segurança dos usuários contra choques elétricos.)
-------------------------	---

Japan VCCI Class A

<p>この装置は、情報処理装置等電波障害自主規制協議会（VCCI）の基準に基づくクラスA情報技術装置です。この装置を家庭環境で使用すると電波妨害を引き起こすことがあります。この場合には使用者が適切な対策を講ずるよう要求されることがあります。</p>
--

Korea EMC Class A Statement

A급 기기 (업무용 방송통신기기)	이 기기는 업무용(A급)으로 전자파적합등록을 한 기기이오니 판매자 또는 사용자는 이 점을 주의하시기 바라며, 가정 외의 지역에서 사용하는 것을 목적으로 합니다.
-----------------------	---



Russia/Belarus/Kazakhstan/CEE Safety:

Documentation feedback

Hewlett Packard Enterprise is committed to providing documentation that meets your needs. To help us improve the documentation, send any errors, suggestions, or comments to Documentation Feedback (docsfeedback@hpe.com). When submitting your feedback, include the document title, part number, edition, and publication date located on the front cover of the document. For online help content, include the product name, product version, help edition, and publication date located on the legal notices page.