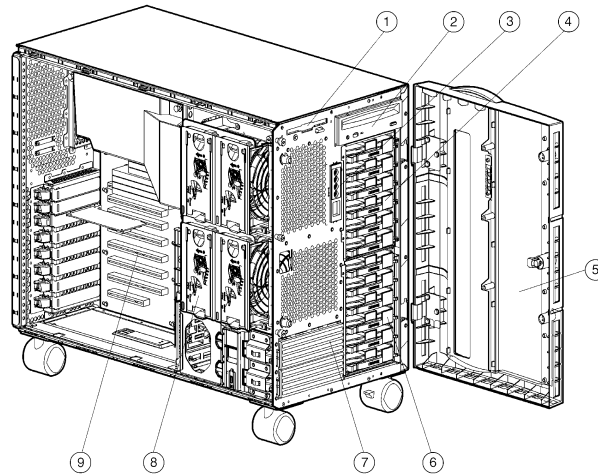


Overview

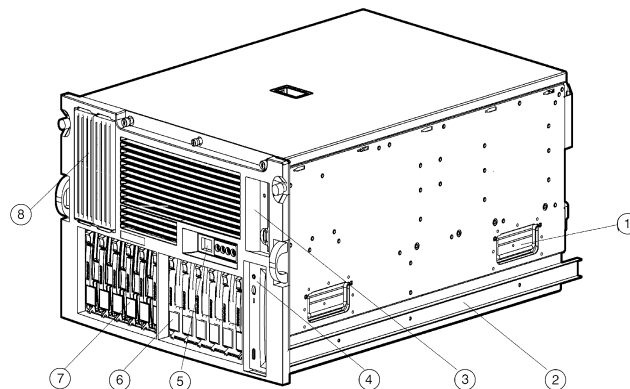
At A Glance

- Completely redesigned chassis for maximum system expansion capabilities
- Redundant options provide maximum uptime
- Next generation Highly Parallel System Architecture using the *ServerWorks™* LE 3.0 Chipset with 133-MHz Front Side Bus
- Intel Pentium III Xeon 1.0 GHz Processor (dual processor capability)
- Array Models available
- 256-KB level 2 writeback cache per processor
- 128-MB PC 133-MHz Registered ECC SDRAM memory (256-MB memory standard on Array Models) expandable to 4 GB
- Eight total PCI slots: two 64-bit, 66 MHz, five 64-bit, 33MHz, and one 32-Bit, 33 MHz
- Integrated Compaq NC3123 Fast Ethernet NIC PCI 10/100 WOL (Wake On LAN) in a slot
- Integrated Dual Channel Wide Ultra2 SCSI Adapter
- Smart Array 5302/32 Array Controller (Array Models only)
- Wide Ultra2/Ultra3 SCSI Drive Cage standard (6 x 1")
- Optional Wide Ultra2/Ultra3 SCSI Drive Cage (6 x 1")
- Internal mass storage capacity up to 873.6 GB (with optional 6x1" hot plug drive cage and power supply installed)
- Internal mass storage capacity up to 1.019 TB (with optional 6x1" hot plug drive cage, optional ML5xx Internal Two Bay Hot Plug Wide Ultra2/Ultra3 SCSI Drive Cage (with fan) and power supply installed)
- Integrated Remote Console and Automatic Server Recovery-2 (ASR-2)
- 450-Watt Hot Pluggable Power Supply with optional Hot Plug Redundant Power Supply (RPS)
- Protected by Compaq Services, including a three-year, Next Business Day on-site, limited, Global warranty and extended Pre-Failure Warranty that covers processors, memory and disk drives — Certain restrictions and exclusions apply. Consult the Compaq Customer Support Center at 1-800-345-1518 for details.



Tower Models

1. 1.44-MB Floppy Drive
2. 32x or 40x IDE CD-ROM
3. Diagnostic Lighting
4. Wide Ultra2/Ultra3 Hot Plug Drive Cage (6 x 1") (Optional)
5. Front Bezel
6. Wide Ultra2/Ultra3 Hot Plug Drive Cage (6 x 1") (Standard)
7. 5.25-inch Removable Media Bays
8. Hot Plug Fans with Optional Redundant Hot Plug Fans shown
9. Eight PCI Slots



Rack Models

1. Rack handles
2. Sliding Rails
3. 1.44MB Floppy Drive
4. 32x or 40x IDE CD-ROM
5. Diagnostic Lighting
6. Wide Ultra2/Ultra3 Hot Plug Drive Cage (6 x 1") (Optional)
7. Wide Ultra2/Ultra3 Hot Plug Drive Cage (6 x 1") (standard drive cage)
8. 5.25-inch Removable Media Bays

Standard Features

Processor	Intel Pentium III Xeon 1.0 GHz Processor		
Cache Memory	256-KB level 2 writeback cache per processor		
Upgradability	Upgradable to dual processing		
Chipset	ServerWorks LE 3.0 Chipset Note: For more information regarding ServerWorks, please see the following URL: http://www.serverworks.com/products/overview.html		
Memory	Standard	256 MB	(PC133-MHz Registered ECC SDRAM DIMM Memory)
	Maximum	4 GB	
	Standard	128 MB	(PC133-MHz Registered ECC SDRAM DIMM Memory)
	Maximum	4 GB	
Network Controller	Integrated Compaq NC3123 Fast Ethernet NIC PCI 10/100 WOL (Wake On LAN) in a slot		
Expansion Slots	I/O (8 Total, 8 available)		PCI Voltage:
	64-bit/66MHz PCI	2	3.3 Volt or universal cards
	64-bit/33MHz PCI	5	5 Volt or universal cards
	32-bit/33MHz PCI	1	5 Volt or universal cards
Storage Controller	Integrated Dual Channel Wide Ultra2 SCSI Adapter Smart Array 5302/32 Array Controller (Array Models only)		
Storage	Diskette Drives	1.44 MB	
	CD-ROM	32x or 40x IDE CD-ROM Drive	
	Hard Drives	None	
	Maximum Internal Storage	873.6 GB (with optional drive cage) (6 x 72.8-GB 1" + 6 x 72.8-GB 1") 1.019 TB (with optional drive cage, optional ML5xx Internal Two Bay Hot Plug Wide Ultra2/Ultra3 SCSI Drive Cage (with fan) (6 x 72.8-GB 1" + 6 x 72.8-GB 1" + 2 x 72.8-GB 1")	
Interfaces	Parallel	1	
	Serial	2	
	Pointing Device (Mouse)	1	
	Graphics	1	
	Hot Plug Keyboard	1	
	Network RJ-45	1	
Graphics	Integrated ATI Rage IIC Video Controller with 4-MB Video Memory		
Form Factor	Tower or Rack (7U)		

Standard Features

ProLiant™ Essentials Foundation Pack Software

Insight Manager™ 7

Insight Manager 7 helps maximize system uptime and performance and reduces the cost of maintaining the IT infrastructure by providing proactive notification of problems before those problems result in costly downtime and reduced productivity. Insight Manager 7 is easy to set up and provides rapid access to detailed fault and performance information gathered by the Management Agents. One-click access to the Integrated Lights-Out or Remote Insight Lights Out Edition board allows systems administrators to take full graphical control of ProLiant servers in remote locations or lights-out data centers. Finally, Insight Manager 7 in concert with the Version Control Agents and Version Control Repository Manager enables systems administrators to version manage and update system software across groups of Compaq ProLiant servers.

SmartStart™

SmartStart is a tool that simplifies server setup, providing a rapid way to deploy reliable and consistent server configurations. For more information, please visit the SmartStart website at <http://www.compaq.com/smartstart>.

SmartStart version supported (minimum): SmartStart 4.60

Management Agents

The Management Agents form the foundation for HP's Intelligent Manageability strategy. They provide direct, browser-based access to in-depth instrumentation built into HP servers, workstations, desktops, and portables, and send alerts to Insight Manager 7 and other enterprise management applications in case of subsystem or environmental failures. For additional information about the Management Agents and other management products from HP, please visit the management website at <http://www.compaq.com/manage>

ActiveUpdate™

ActiveUpdate is a web-based application that keeps IT managers directly connected to HP for proactive notification and delivery of the latest software updates.

ROMPac™, support software, and configuration utilities

The latest software, drivers, and firmware fully optimized and tested for your ProLiant server and options.

Survey Utility™ and diagnostics utilities

The most advanced configuration analysis, reporting and troubleshooting utilities used by HP and at your fingertips.

Optional ProLiant Essentials Value Packs

Optional software offerings that selectively extend the functionality of an Adaptive Infrastructure to address specific business problems and needs:

- Rapid Deployment Pack – an automated Compaq solution for multi-server deployment and provisioning, enabling companies to quickly and easily adapt to changing business demands.
- Workload Management Pack – provides easier management of complex environments, improving overall server utilization and enabling Windows® 2000 customers for the first time to confidently deploy multiple applications on a single multiprocessor ProLiant Server.

Note: For more information regarding ProLiant Essentials Software, please see the following URL:
<http://www.compaq.com/proliantessentials>.

Note: This Web site is available in English only.

Standard Features

Industry Standard Compliance	ACPI 1.0 Compliant PCI 2.1 Compliant WOL Support Microsoft® <i>Logo</i> ™ certifications
Manageability	Insight Manager 7 Remote Lights-Out Edition (optional) Automatic Server Recovery-2 (ASR-2) Integrated Remote Console (IRC) Hardware Remote Console Full Remote Server Reboot Capability Reset and Failure Sequence Replay Host Hardware Independent Operating System Independent Server Health Logging Revision History Table Automatic Revision Tracking Drive Parameter Tracking (with Smart Array Controller) Dynamic Sector Repairing (with Smart Array Controller) Off-Line Backup Processor capability Pre-Failure Warranty (covers processors, hard drives and memory)
Security	Power-on password Hot plug keyboard password Diskette drive control Diskette boot control QuickLock, Network Server Mode Parallel and serial interface control Administrator's password Disk configuration lock
Server Power Cords	One Lowline power cord ships standard.
Power Supply	Two 450W Hot Pluggable Power Supplies (standard in Array Models) OR One 450W Hot Pluggable Power Supply (standard in Non-Array Models) <ul style="list-style-type: none">• Additional power supply required if a second optional drive cage is installed. A third power supply required for redundancy when the optional drive cage is installed.
System Fans	Two Hot Plug System Fans standard <ul style="list-style-type: none">• Optional Hot Plug Redundant Fan kit includes two more
Required Cabling	For required cabling information, refer to the Compaq website at http://www.compaq.com/products/servers/proliantML530 . <i>Note:</i> This web site is available in English only.

Standard Features

OS Support

Microsoft Windows NT® Server
Microsoft Windows 2000
Novell® NetWare®
SCO® OpenServer®
SCO UnixWare®
IBM® OS/2 Warp Family
LINUX® (RedHat®, S.U.S.E.®, TurboLinux® Server, Caldera® eServer)
Sun™ Solaris™ Intel Platform Edition

Note: For a more complete and up-to-date listing of supported OS's and versions, please visit our OS Support Matrix at: <ftp://ftp.compaq.com/pub/products/servers/os-support-matrix-310.pdf>

Note: For an up-to-date listing of the latest drivers available for the Compaq ProLiant ML530, please see: <http://www.compaq.com/support/files/server/us/index.html>.

Rack Airflow Requirements

- Rack 9000 and 10000 series Cabinets
The increasing power of new high-performance processor technology requires increased cooling efficiency for rack-mounted servers. The Compaq 9000 Series Rack and the new 10000 Series Racks provides enhanced airflow for maximum cooling, allowing these racks to be fully loaded with servers using the latest processors.
- Rack 7000 series Cabinets
When installing a server with processors running at speeds of 550 MHz or greater in Compaq Rack 7000 series racks with glass doors (165753-001 (42U), and 163747-001 (22U)), the new processor technology requires the installation of Compaq's new High Airflow Rack Door Inserts (327281-B21 (42U), 327281-B22 (42U 6 pack), or 157847-B21 (22U)) to promote enhanced airflow for maximum cooling.

CAUTION: If a third-party rack is used, observe the following additional requirements to ensure adequate airflow and to prevent damage to the equipment:

- Front and rear doors: If your 42U server rack includes closing front and rear doors, you must allow 5,350 sq cm (830 square inches) of hole evenly distributed from top to bottom to permit adequate airflow (equivalent to the required 64 percent open area for ventilation).
- Side: The clearance between the installed rack component and the side panels of the rack must be a minimum of 7 cm (2.75 inches).

CAUTION: Always use blanking panels to fill all remaining empty front panel U-spaces in the rack. This arrangement ensures proper airflow. Using a rack without blanking panels results in improper cooling that can lead to thermal damage.

Note: For additional information, refer to the Setup and Installation Guide or the Documentation CD provided with the server, or to the server documentation located in the Support section at the following URL: <http://www5.compaq.com/products/servers/proliantml530/index2.html>

Standard Features

Service and Support

Compaq Services provides a three-year, limited warranty, including Pre-Failure Warranty (coverage of hard drives, memory and processors) fully supported by a worldwide network of resellers and service providers. Compaq technical assistance is available 7x24, toll free in the United States and Canada. Telephone support services may be covered under warranty or available for an additional fee.

Note: Limited Warranty includes 3 year Parts, 3 year Labor, 3-year on-site support.

A full range of *CarePac*™ packaged hardware and software services:

- Installation and start up
- Extended coverage hours and enhanced response times
- System management and performance services
- Availability and recovery services

Note: For more information, customer/resellers can contact <http://www.compaq.com/services>.

Please see the following URL regarding Warranty Information For Your Compaq Products:
http://www.compaq.com/support/warranty_upgrades/web_statements/176738.html

For additional information regarding Worldwide Limited Warranty and Technical Support, please see the following URL: <ftp://ftp.compaq.com/pub/supportinformation/ejourney/176738.pdf>

Note: Certain restrictions and exclusions apply. Consult the Compaq Customer Support Center at 1-800-345-1518 for details.

Models

ML530T01 X1000-256KB, 256MB Array <i>161157-xx1</i>	Processor	Intel Pentium III Xeon 1.0 GHz Processor standard (up to 2 supported)
	Cache Memory	256-KB level 2 writeback cache per processor
	Memory	256 MB (Standard) to 4 GB (Maximum) PC133-MHz Registered ECC SDRAM DIMM
	Network Controller	Integrated Compaq NC3123 Fast Ethernet NIC PCI 10/100 WOL (Wake On LAN) in a slot
	Storage Controller	Smart Array 5302/32 Controller
	Hard Drives	None ship standard
	Internal Storage	873.6 GB max (with optional hard drives and optional drive cage) 1.019 TB (with optional hard drives, optional drive cage, and optional ML5xx Internal Two Bay Hot Plug Wide Ultra2/Ultra3 SCSI Drive Cage (with fan))
	Power Supplies	Two 450W Power Supplies
	Drive Cages	Two 6 x 1" Drive Cages
	Optical Drive	32x or 40x IDE CD-ROM Drive
Form Factor	Tower (7U)	
ML530T01 X1000-256KB, 128 MB <i>161152-xx1</i>	Processor(s)	Intel Pentium III Xeon 1.0 GHz Processor standard (up to 2 supported)
	Cache Memory	256-KB level 2 writeback cache per processor
	Memory	128 MB (Standard) to 4 GB (Maximum) PC133-MHz Registered ECC SDRAM DIMM
	Network Controller	Integrated Compaq NC3123 Fast Ethernet NIC PCI 10/100 WOL (Wake On LAN) in a slot
	Storage Controller	Integrated Dual Channel Wide Ultra2 SCSI Adapter
	Hard Drives	None ship standard
	Internal Storage	873.6 GB max (with optional hard drives and optional drive cage) 1.019 TB (with optional hard drives, optional drive cage, and optional ML5xx Internal Two Bay Hot Plug Wide Ultra2/Ultra3 SCSI Drive Cage (with fan))
	Power Supplies	One 450W Power Supply
	Drive Cages	One 6 x 1" Drive Cage
	Optical Drive	32x or 40x IDE CD-ROM Drive
Form Factor	Tower (7U)	
ML530R01 X1000-256KB, 256 MB Array <i>161159-xx1</i>	Processor(s)	Intel Pentium III Xeon 1.0 GHz Processor standard (up to 2 supported)
	Cache Memory	256-KB level 2 writeback cache per processor
	Memory	256 MB (Standard) to 4 GB (Maximum) PC133-MHz Registered ECC SDRAM DIMM
	Network Controller	Integrated Compaq NC3123 Fast Ethernet NIC PCI 10/100 WOL (Wake On LAN) in a slot
	Storage Controller	Smart Array 5302/32 Controller
	Hard Drives	None ship standard
	Internal Storage	873.6 GB max (with optional hard drives and optional drive cage) 1.019 TB (with optional hard drives, optional drive cage, and optional ML5xx Internal Two Bay Hot Plug Wide Ultra2/Ultra3 SCSI Drive Cage (with fan))
	Power Supplies	Two 450W Power Supplies
	Drive Cages	Two 6 x 1" Drive Cages
	Optical Drive	32x or 40x IDE CD-ROM Drive
Form Factor	Rack (7U)	

Models

ML530R01 X1000-256KB, 128 MB 161153-xx1	Processor(s)	Intel Pentium III Xeon 1.0 GHz Processor standard (up to 2 supported)
	Cache Memory	256-KB level 2 writeback cache per processor
	Memory	128 MB (Standard) to 4 GB (Maximum) PC133-MHz Registered ECC SDRAM DIMM
	Network Controller	Integrated Compaq NC3123 Fast Ethernet NIC PCI 10/100 WOL (Wake On LAN) in a slot
	Storage Controller	Integrated Dual Channel Wide Ultra2 SCSI Adapter
	Hard Drives	None ship standard
	Internal Storage	873.6 GB max (with optional hard drives and optional drive cage) 1.019 TB (with optional hard drives, optional drive cage, and optional ML5xx Internal Two Bay Hot Plug Wide Ultra2/Ultra3 SCSI Drive Cage (with fan))
	Power Supplies	One 450W Power Supply
	Drive Cages	One 6 x 1" Drive Cage
	Optical Drive	32x or 40x IDE CD-ROM Drive
Form Factor	Rack (7U)	

Country Code Key	Tower Code Key	Rack Code Key
XX=00	U.S. English	U.S. English
XX=01	Australia	N/A
XX=02	Int'l	N/A
XX=03	UK	N/A
XX=04	Germany	N/A
XX=05	France	N/A
XX=37	APD	APD
XX=29	Japan	Japan
XX=42	Europe	Europe
XX=AA	PRC	PRC

Options

ProLiant ML530 Unique Options	Pentium III Xeon X1000-256KB Processor Option Kit	128283-B21
	Pentium III Xeon X933-256KB Processor Option Kit	174882-B21
	Wide Ultra2/Ultra3 Simplex Drive Cage Option Kit (6x1") (Includes power supply)	128288-001
	Wide Ultra2/Ultra3 Simplex Drive Cage Option Kit (6x1") (Includes power supply) (Australia)	128288-011
	Wide Ultra2/Ultra3 Simplex Drive Cage Option Kit (6x1") (Includes power supply) (EURO)	128288-021
	Wide Ultra2/Ultra3 Simplex Drive Cage Option Kit (6x1") (Includes power supply) (UK)	128288-031
	Wide Ultra2/Ultra3 Simplex Drive Cage Option Kit (6x1") (Includes power supply) (Japan)	128288-291
ProLiant Essentials Value Pack Software	Rapid Deployment Pack, 1 User, V1.x Note: This license allows 1 server to be managed and deployed via the Deployment Server.	267196-B21
	Rapid Deployment Pack, 1 User, V1.x (Japan) Note: This license allows 1 server to be managed and deployed via the Deployment Server.	267196-291
	Rapid Deployment Pack, 10 Users, V1.x Note: This license allows 10 servers to be managed and deployed via the Deployment Server.	269817-B21
	Rapid Deployment Pack, 10 Users, V1.x (Japan) Note: This license allows 10 servers to be managed and deployed via the Deployment Server.	269817-291
	ProLiant Essentials Workload Management Pack (Featuring Resource Partitioning Manager version 2.0) Note: Flexible and volume quantity license kits are available for ProLiant Essentials Value Packs. Refer to http://www.compaq.com/proliantessentials or the various ProLiant Essentials Value Pack product QuickSpecs for more information.	303284-B21
	Note: For more information regarding ProLiant Essentials Software, please see the following URL: http://www.compaq.com/proliantessentials . Note: These Web sites are available in English only.	
NetServer to ProLiant integrations services	HP NetServer to ProLiant integration and assessment service Note: HP identifies current levels of NetServer support, services, and management. This service helps maximize customer's ability to add ProLiant platforms into their current environment	304164-002
	HP TopTools to Insight Manager 7 installation and startup service Note: Provides on-site review, installation and configuration services for Insight Manager 7. HP will also re-create, as closely as possible, the views and reports from the customer's current TopTools configuration. This service assures a smooth transition to the ProLiant Essentials software.	304163-002
	HP NetServer to ProLiant Essentials Rapid Deployment Pack installation and startup service Note: Install and configure Rapid Deployment Pack in a test environment, then deploy a server image to a maximum of 250 systems in the production environment. This service helps to assure successful system deployment.	304162-002

Options

Processor	Pentium III Xeon X1000-256KB Processor Option Kit	128283-B21
	Pentium III Xeon X933-256KB Processor Option Kit	174882-B21
Memory (DIMMs)	512-MB PC 133-MHz Registered ECC SDRAM DIMM Memory Option Kit	128279-B21
	256-MB PC 133-MHz Registered ECC SDRAM DIMM Memory Option Kit	128278-B21
	128-MB PC 133-MHz Registered ECC SDRAM DIMM Memory Option Kit	128277-B21
	64-MB PC 133-MHz Registered ECC SDRAM DIMM Memory Option Kit	128276-B21
Optical Drives	16X DVD-ROM Drive Option Kit (Carbon)	217053-B21
	<i>Note: The DVD-ROM drive is only supported in the CD-ROM bay. If placed in the removable media bay, it requires the 2-Device IDE cable (PN 305381-B21).</i>	
	2-Device IDE Cable	305381-B21
Internal Storage	ML5xx Internal Two Bay Hot Plug Wide Ultra2/Ultra3 SCSI Drive Cage (with fan)	244058-B21
	<i>Note: This Drive Cage has one 1" drive bay and one 1.6" drive bay.</i>	
	Wide Ultra2/Ultra3 Simplex Drive Cage Option Kit (6x1") (Includes power supply)	128288-001
	Wide Ultra2/Ultra3 Simplex Drive Cage Option Kit (6x1") (Includes power supply) (Australia)	128288-011
	Wide Ultra2/Ultra3 Simplex Drive Cage Option Kit (6x1") (Includes power supply) (EURO)	128288-021
	Wide Ultra2/Ultra3 Simplex Drive Cage Option Kit (6x1") (Includes power supply) (UK)	128288-031
	Wide Ultra2/Ultra3 Simplex Drive Cage Option Kit (6x1") (Includes power supply) (Japan)	128288-291
Hard Drives	Wide Ultra3 SCSI – Universal Hot Plug	
	72.8-GB Wide Ultra3 SCSI 10,000 rpm Drive (1")	232432-B22
	36.4-GB Wide Ultra3 SCSI 10,000 rpm Drive (1")	176496-B22
	18.2-GB Wide Ultra3 SCSI 10,000 rpm Drive (1")	142673-B22
	36.4-GB Wide Ultra3 SCSI 15,000 rpm Drive (1")	232916-B22
	18.2-GB Wide Ultra3 SCSI 15,000 rpm Drive (1")	188122-B22

Options

Storage Controllers	Smart Array 532 Controller	225338-B21
	Smart Array 532 Controller (Japan)	225338-291
	Smart Array 5302/128 Controller	283552-B21
	Smart Array 5302/128 Controller (Japan)	283552-291
	Smart Array 5304/256 Controller	283551-B21
	Smart Array 5304/256 Controller (Japan)	283551-291
	Smart Array 5312 Controller	238633-B21
	Smart Array 5312 Controller (Japan)	238633-291
	128-MB Cache Module for Smart Array 5302 Controller	153506-B21
	Advanced Data Guarding Module for Smart Array 5302 Controller	199371-B21
	RAID ADG Upgrade for Smart Array 5302	288601-B21
	Ultra3 Channel Expansion Module for Smart Array 5300 Controller	153507-B21
	256-MB Battery-Backed Cache Module	254786-B21
	<i>Note: This 256-MB Battery-Backed Cache Module supports the Smart Array 5300 series controllers, MSA 1000 and the Smart Array Cluster Storage.</i>	
64-Bit/66-MHz Single Channel Wide Ultra3 SCSI Adapter	154457-B21	
64-Bit/66-MHz Dual Channel Wide Ultra3 SCSI Adapter	129803-B21	
Communications	Compaq NC3123 Fast Ethernet NIC PCI 10/100 WOL	174830-B21
	Compaq NC3134 Fast Ethernet NIC 64 PCI Dual Port 10/100	138603-B21
	Compaq NC3135 Fast Ethernet Module Dual 10/100 Upgrade Module for NC3134 and NC3131	138604-B21
	Compaq NC6132 Gigabit Module 1000 SX Upgrade Module for NC3134 and NC3131	338456-B23
	Compaq NC6133 Gigabit Module 1000LX Upgrade Module for NC3134 and NC3131	338456-B24
	Compaq NC3133 Fast Ethernet Module 100FX Upgrade Module for NC3134 and NC3131	338456-B25
	Compaq NC6136 Gigabit Server Adapter, 64-bit/66 MHz, PCI, 1000 SX	203539-B21
	Compaq NC7131 Gigabit Server Adapter, 64-bit/66 MHz, PCI, 10/100/1000-T	158575-B21
	Compaq NC7132 10/100/1000-T Upgrade Module for NC3134 and NC3131	153543-B21
	Redundant Options	Redundant Fan Kit
Compaq Hot Plug Redundant Power Supply (The Compaq Hot Plug Power Supply ships standard with the ProLiant ML530. A second one is required for redundancy.)		128286-001
Compaq Hot Plug Redundant Power Supply (Australia) (The Compaq Hot Plug Power Supply ships standard with the ProLiant ML530. A second one is required for redundancy.)		128286-011
Compaq Hot Plug Redundant Power Supply (Int'l) (The Compaq Hot Plug Power Supply ships standard with the ProLiant ML530. A second one is required for redundancy.)		128286-021
Compaq Hot Plug Redundant Power Supply (UK) (The Compaq Hot Plug Power Supply ships standard with the ProLiant ML530. A second one is required for redundancy.)		128286-031
Compaq Hot Plug Redundant Power Supply (Japan) (The Compaq Hot Plug Power Supply ships standard with the ProLiant ML530. A second one is required for redundancy.)		128286-291

Options

Management Options	Remote Insight Lights-Out Edition II (NA, LA)	227251-001	
	Remote Insight Lights-Out Edition II (EMEA)	227251-021	
	Remote Insight Lights-Out Edition II (ROW)	227251-371	
	Compaq Remote Insight Lights-Out Edition (NA, LA)	157866-001	
	Compaq Remote Insight Lights-Out Edition (EURO)	157866-021	
	Compaq Remote Insight Lights-Out Edition (ADP, Japan)	157866-371	
Security	HP/Atalla AXL600L SSL Accelerator Card for ProLiant Servers	524545-B21	
	Compaq AXL300 Accelerator PCI Card for ProLiant Servers	227933-B21	
Monitors	Flat Panel TFT8030 18" Color Monitor Two-Tone (Carbon/Silver)	234362-xxx	
	Flat Panel TFT1825 18" Color Monitor Two-Tone (Carbon/Silver)	296751-xxx	
	Flat Panel TFT7020 17" Color Monitor Two-Tone (Carbon/Silver)	253216-xxx	
	Flat Panel TFT1720 17" Color Monitor Two-Tone (Carbon/Silver)	295926-xxx	
	Flat Panel TFT1520 15" Color Monitor Two-Tone (Carbon/Silver)	295925-xxx	
	Flat Panel TFT2025 20" Color Monitor Two-Tone (Carbon/Silver)	285550-xxx	
	TFT5110R Flat Panel Monitor (Carbon)	281683-B21	
	TFT5010R Flat Panel Monitor (NA)	217248-001	
	TFT5010R Flat Panel Monitor (Int'l)	217248-B31	
	TFT5010R Flat Panel Monitor (Japan)	217248-291	
	CRT Country Code Key	NORTH AMERICA (NA)/LATIN AMERICA (LA)	
		Dash #	Description
-001		NA Kit with US Power Cord	
-002		Carbon model with US Power Cord	
-003		Touch Screen model with US Power Cord	
-004		NAFTA model with US Power Cord (Made in Mexico)	
-005		NA Kit with Powered Speakers	
-006		GSA model with US Power Cord	
-007		NH MPR model with US power cord (Made in Mexico)	
-B24		TCO model without power cord (Digital Classic)	
-201		EH model for Brazil (older Brazil models used -B29)	
-202		EH model for Brazil Carbon (older Brazil models used -B29)	
-C91		EH model for Mercosur countries	
-C92		EH model for Mercosur countries Carbon	
-B29		EH/ALADI model for Latin America	
<i>Note: All NA/LA models above are NH.</i>			
EUROPE, MIDDLE EAST AND AFRICA (EMEA)			
Dash #		Description	
-021		NH/TCO with Eurocord (DCE Hub)	
-022		NH/MPR with Eurocord (DCE Hub) (India)	
-023		NH Carbon model with Eurocord (DCE Hub)	
-024		NH Touch Screen model with Eurocord (DCE Hub)	
-025		NH Kit with Speakers and Eurocord	
-A91		NH/TCO without power cord (Dubai hub)	
-A92		NH/MPR without power cord (Dubai hub)	
-031		NH/TCO with UK Cord (UK Hub)	
-032		NH/MPR with UK Cord (UK Hub)	
-033		NH/TCO carbon with UK Cord	
-035		NH Kit with Speakers and UK Cord	
-B21		SH/MPR without power cord (S. Africa Hub)	
-B23		SH/TCO without power cord (S. Africa Hub)	
-B27		SH/TCO Carbon without power cord (S. Africa Hub)	

Options

CRT Country Code Key (continued)

PACIFIC/AUSTRALIA (APD)

Dash #	Description
-B22	NH/MPR without power cord
-B24	NH/TCO without power cord
-B25	EH Carbon model without power cord
-B26	NH Touch Screen model without power cord
-011	SH model with AUZ/NZ power cord
-015	SH model with speakers AUZ/NZ power cord
-012	SH Carbon model with AUZ/NZ power cord
-AD1	NH model for Korea
-AD2	NH Carbon model for Korea
-B28	EH model without power cord
-B35	EH model with speakers no power cord (Singapore)

GREATER CHINA (GCD)

Dash #	Description
-AA1	NH/China Kit with CCIB label (Local Sales)
-AA2	NH/ Carbon China Kit with CCIB label (Local Sales)
-KA1	NH/China Kit with CCIB label (External Sales/Bundles in HK)
-AB1	NH/Taiwan kit, mfg. in Taiwan

JAPAN (CKK)

Dash #	Description
-291	NH/Japan Kit with 3-2 pin adapter
-292	NH Carbon Japan Kit with 3-2 pin adapter

TFT Country Code Key

EUROPE, MIDDLE EAST & AFRICA (EMEA)

Dash #	Description
-021	Europe
-031	UK

NORTH AMERICA

Dash #	Description
-001	NA
-B24	All NA/LA models

APD

Dash #	Description
-011	Australia/NZ

JAPAN (CKK)

Dash #	Description
-291	Japan

Options

Tape Drives

Note: In order to install certain tape drives internally, you may need to remove the rails that come standard on the drives and then re-insert the screws in the mounting holes.

Internal and External DAT Tape Drives

Internal 12/24-GB DAT Drive (opal)	295513-B22
Internal 12/24-GB DAT Drive (opal) (Japan)	295513-292

Note: Please see the 12/24-GB DAT Drive QuickSpecs for additional options such as cassettes and for an up-to-date listing of the latest O/S Support details, please see the following:
http://www5.compaq.com/products/quickspecs/10239_div/10239_div.HTML (Division/World Wide)
http://www5.compaq.com/products/quickspecs/10239_na/10239_na.HTML (North America)

HP StorageWorks 20/40-GB DAT DDS-4 Tape Drive, Internal (Carbon) (WW)	157769-B22
HP StorageWorks 20/40-GB DAT DDS-4 Tape Drive, External (Carbon) (NA)	157770-002
HP StorageWorks 20/40-GB DAT DDS-4 Tape Drive, External (Int'l) (Carbon)	157770-B32
HP StorageWorks 20/40-GB DAT DDS-4 Tape Drive, External (Japan) (Carbon)	157770-292
HP StorageWorks Internal 20/40-GB DAT, Hot Plug (Carbon)	215488-B21

Note: Please see the 20/40-GB DAT Tape Drive QuickSpecs for additional options such as host bus adapters, controllers, cassettes, and for an up-to-date listing of the latest O/S Support details, please see the following:
http://www5.compaq.com/products/quickspecs/10426_div/10426_div.HTML (Division/World Wide)
http://www5.compaq.com/products/quickspecs/10426_na/10426_na.HTML (North America)

Internal and External AIT Tape Drives

HP StorageWorks Internal AIT 35-GB, LVD Tape Drive (Carbon)	216884-B21
HP StorageWorks External AIT 35-GB, LVD Tape Drive (Carbon)	216885-001
HP StorageWorks External AIT 35-GB, LVD Tape Drive (Carbon) (Int'l)	216885-B31
HP StorageWorks External AIT 35-GB, LVD Tape Drive (Carbon) (Japan)	216885-291
HP StorageWorks Internal AIT 35-GB, LVD, Hot Plug (Carbon)	216886-B21

Note: Please see the AIT 35-GB, LVD Tape Drive QuickSpecs for additional options such as adapters, controllers, and cassettes, and for an up-to-date listing of the latest O/S Support details, please see the following:
http://www5.compaq.com/products/quickspecs/10712_div/10712_div.HTML (Division/World Wide)
http://www5.compaq.com/products/quickspecs/10712_na/10712_na.HTML (North America)

HP StorageWorks AIT 50-GB Tape Drive, Internal (Carbon) (WW)	157766-B22
HP StorageWorks AIT 50-GB Tape Drive, External (Carbon) (NA)	157767-002
HP StorageWorks AIT 50-GB Tape Drive, External (Int'l) (Carbon)	157767-B32
HP StorageWorks AIT 50-GB Tape Drive, External (Japan) (Carbon)	157767-292
HP StorageWorks Internal AIT 50-GB, Hot Plug (Carbon)	215487-B21
HP StorageWorks AIT 50-GB Tape Drive, 3U Rackmount	274333-B21

Note: Please see the AIT 50-GB Tape Drive QuickSpecs for additional options such as adapters, controllers, and cassettes, and for an up-to-date listing of the latest O/S Support details, please see the following:
http://www5.compaq.com/products/quickspecs/10425_div/10425_div.HTML (Division/World Wide)
http://www5.compaq.com/products/quickspecs/10425_na/10425_na.HTML (North America)

HP StorageWorks Internal AIT 100-GB Tape Drive (Carbon)	249189-B21
HP StorageWorks External AIT 100-GB Tape Drive (Carbon)	249160-001
HP StorageWorks External AIT 100-GB Tape Drive (Carbon) (Int'l)	249160-B31
HP StorageWorks Internal AIT 100-GB, Hot Plug (Carbon)	249161-B21

Note: Please see the AIT 100-GB Tape Drive QuickSpecs for additional options such as adapters, controllers, and cassettes, and for an up-to-date listing of the latest O/S Support details, please see the following:
http://www5.compaq.com/products/quickspecs/11062_div/11062_div.HTML (Division/World Wide)
http://www5.compaq.com/products/quickspecs/11062_na/11062_na.HTML (North America)

Options

Tape Drives (continued)

Internal and External DLT/SDLT Tape Drives

HP StorageWorks 40/80-GB DLT Tape Drive, Internal (Carbon)	146196-B22
HP StorageWorks 40/80-GB DLT Tape Drive, External (Carbon) (NA)	146197-B22
HP StorageWorks 40/80-GB DLT Tape Drive, External (Carbon) (Japan)	146197-293
HP StorageWorks Rackmount DLT 40/80, 3U (Single Drive)	274332-B21
HP StorageWorks Rackmount DLT 40/80, Dual Drive 3U (Two Drives)	274335-B21
HP StorageWorks Rackmount DLT 40/80, Tape Array III, 5U (Four Drives)	274337-B21

Note: Please see the 40/80-GB DLT Drive QuickSpecs for additional options such as host bus adapters, controllers, cassettes, and for an up-to-date listing of the latest O/S Support details, please see the following:

http://www5.compaq.com/products/quickspecs/10658_div/10658_div.HTML (Division/World Wide)

http://www5.compaq.com/products/quickspecs/10658_na/10658_na.HTML (North America)

Internal and External DLT VS Tape Drives

HP StorageWorks DLT VS 40/80 Tape Drive, Internal (Carbon) All	280129-B21
HP StorageWorks DLT VS 40/80 Tape Drive, External (Carbon) All	280129-B22
HP StorageWorks DLT VS 40/80 Tape Drive, External (Carbon) (WW)	280129-B31
HP StorageWorks DLT VS 40/80 Tape Drive, External (Carbon) (Japan)	280129-291

Note: Please see the DLT VS 40/80 Tape Drive QuickSpecs for additional options such as host bus adapters, controllers, cassettes, and for an up-to-date listing of the latest O/S Support details, please see the following:

http://www5.compaq.com/products/quickspecs/11403_div/11403_div.HTML (Division/World Wide)

http://www5.compaq.com/products/quickspecs/11403_na/11403_na.HTML (North America)

Internal and External DLT/SDLT Tape Drives

Rackmount SDLT 110/220, 3U (Single Drive)	274331-B21
Rackmount SDLT 110/220, Dual-Drive, 3U (Two Drives)	274334-B21
Rackmount SDLT 110/220, Tape Array III, 5U (Four Drives)	274336-B21

Note: Please see the SDLT 110/220-GB Tape Drive QuickSpecs for additional options such as adapters, controllers, and media, and for an up-to-date listing of the latest O/S Support details, please see the following:

http://www5.compaq.com/products/quickspecs/10772_div/10772_div.HTML (Division/World Wide)

http://www5.compaq.com/products/quickspecs/10772_na/10772_na.HTML (North America)

HP StorageWorks SDLT 160/320, Internal (carbon) (WW)	257319-B21
HP StorageWorks SDLT 160/320, External NA (carbon)	257319-001
HP StorageWorks SDLT 160/320, External WW (carbon)	257319-B31
HP StorageWorks SDLT 160/320, External Japan (carbon)	257319-291

Note: Please see the SDLT 160/320-GB Tape Drive QuickSpecs for additional options such as adapters, controllers, and media, and for an up-to-date listing of the latest O/S Support details, please see the following:

http://www5.compaq.com/products/quickspecs/11406_div/11406_div.HTML (Division/World Wide)

http://www5.compaq.com/products/quickspecs/11406_na/11406_na.HTML (North America)

External SuperLoader

DLT1 1280 SuperLoader	268664-B21
-----------------------	------------

Note: Please see the StorageWorks DLT1 1280 SuperLoader by Compaq QuickSpecs for additional options and for an up-to-date listing of the latest O/S Support details, please see the following:

http://www5.compaq.com/products/quickspecs/11330_div/11330_div.HTML (Division/World Wide)

http://www5.compaq.com/products/quickspecs/11330_na/11330_na.HTML (North America)

Options

Tape Drives *(continued)*

Internal and External LTO Ultrium Tape Drives

HP StorageWorks LTO Ultrium 230 Tape Drive, Internal (Carbon) WW	Q1515A
HP StorageWorks LTO Ultrium 230 Tape Drive, External (Carbon) NA	Q1516A
HP StorageWorks LTO Ultrium 230 Tape Drive, External (Carbon) Int'l	Q1517A

Note: Please see the HP StorageWorks LTO Ultrium Tape Drive QuickSpecs for additional options such as controllers, and other related items, and for an up-to-date listing of the latest O/S Support details, please see the following:

http://www5.compaq.com/products/quickspecs/11415_div/11415_div.HTML (Division/World Wide)

http://www5.compaq.com/products/quickspecs/11415_na/11415_na.HTML (North America)

AIT Autoloader

HP StorageWorks AIT 35 GB Autoloader, Rackmount (Carbon) (NA)	280349-001
HP StorageWorks AIT 35 GB Autoloader, Rackmount (Carbon) (Int'l)	280349-B31
HP StorageWorks AIT 35 GB Autoloader Tabletop (Carbon) (NA)	280349-001
HP StorageWorks AIT 35 GB Autoloader, Tabletop (Carbon) (Int'l)	280349-B31

Note: Please see the AIT 35-GB Autoloader QuickSpecs for additional options such as adapters, controllers, and cassettes, and for an up-to-date listing of the latest O/S Support details, please see the following:

http://www5.compaq.com/products/quickspecs/11404_div/11404_div.HTML (Division/World Wide)

http://www5.compaq.com/products/quickspecs/11404_na/11404_na.HTML (North America)

Rackmount Tape Drive Kits

3U Rackmount Kit	274338-B21
------------------	------------

Note: The 3U Rackmount Kit (PN 274338-B21) can support up to (2) full-height or (4) half-height tape drives and compatible with multiple Single-Ended and LVD SCSI Tape Drives including the 12/24-GB DAT, 20/40-GB DAT, 20/40-GB DAT DDS-4 8 Cassette Autoloader, AIT 35-GB LVD, AIT 50 GB, 20/40-GB DLT, 40/80-GB DLT, and the SDLT 110/220-GB Tape Drives.

5U Rackmount Kit	274339-B21
------------------	------------

Note: The 5U Rackmount Kit (PN 274339-B21) can support up to (4) full-height tape drives and is compatible with all Compaq DLT/SDLT tape drives including the 20/40-GB DLT, 35/70-GB DLT, 40/80-GB DLT, and the SDLT 110/220-GB tape drives.

Note: Please see the Rackmount Tape Drive Kits QuickSpecs for additional information regarding these kits, please see the following:

http://www5.compaq.com/products/quickspecs/10854_div/10854_div.HTML (Division/World Wide)

http://www5.compaq.com/products/quickspecs/10854_na/10854_na.HTML (North America)

Rackmount Tape Drive Cable Kits

LVD Cable Kit, VHDCI/HD68	168048-B21
---------------------------	------------

Note: For use with the 3U RM Storage Enclosure and DLT Tape Array III only.

LVD Cable Kit, HD68/HD68	242381-B21
--------------------------	------------

Note: For use with the 3U RM Storage Enclosure and DLT Tape Array III only.

Tape Automation

Entry Level Tape Libraries

SSL2020 AIT Library

SSL2020 AIT Mini-Library 1 drive, 20 slot Table Top	175195-B21
SSL2020 AIT Mini-Library 2 drive, 20 slot Table Top	175195-B22
SSL2020 AIT Mini-Library 1 drive, 20 slot Rackmount	175196-B21
SSL2020 AIT Mini-Library 2 drive, 20 slot Rackmount	175196-B22
SSL2020 AIT Library Pass Thru with Transport	175312-B21
SSL2020 AIT Library Pass Thru Extender	175312-B22
AIT 50-GB Drive Add-On LVD Drive for SSL2020 AIT Library	175197-B21

Options

Tape Automation (continued)

SSL2020 AIT Library (continued)

Required Adapters/Controllers for SSL2020 AIT Library

64-Bit/66Mhz Dual Channel Wide Ultra3 SCSI Adapter	129803-B21
SAN Access Module for Smart Array 5302 Controller	216687-B21
SAN Access Module for Smart Array 5302 Controller (Japan)	216687-291

Note: Please see the SSL2020 Automated AIT Tape Library Solution QuickSpecs for additional information including Upgrade Kits, Accessories, and SCSI Cable Kits and additional options needed for a complete solution at:

http://www5.compaq.com/products/quickspecs/10580_na/10580_na.HTML (North America)

http://www5.compaq.com/products/quickspecs/10580_div/10580_div.HTML (Division/World Wide)

MSL5000 Libraries

Mainstream Tape Library

MSL5026DLX DLT Library

MSL5026DLX, 1 40/80-GB DLT, LVD Table Top	231821-B21
MSL5026DLX, 2 40/80-GB DLT, LVD Table Top	231821-B22
MSL5026DLX, 1 40/80-GB DLT, LVD Rackmount	231891-B21
MSL5026DLX, 2 40/80-GB DLT, LVD Rackmount	231891-B22

MSL5026SL SDLT Library

MSL5026SL Library, SDLT 110/220, 1 Drive, LVD, Table Top	231822-B21
MSL5026SL Library, SDLT 110/220, 2 Drives, LVD, Table Top	231822-B22
MSL5026SL Library, SDLT 110/220, 1 Drive, LVD, Rackmount	231892-B21
MSL5026SL Library, SDLT 110/220, 2 Drives, LVD, Rackmount	231892-B22

Note: Please see the StorageWorks MSL5026DLX or MSL5026SL Library QuickSpecs for additional information including Upgrade Kits, Accessories, and SCSI Cable Kits and additional options needed for a complete solution at:

http://www5.compaq.com/products/quickspecs/10860_na/10860_na.HTML (North America)

http://www5.compaq.com/products/quickspecs/10860_div/10860_div.HTML (Division/World Wide)

MSL5026SL, Tabletop, 1 SDLT Drive (Graphite)	302511-B21
MSL5026SL, Tabletop, 2 SDLT Drives (Graphite)	302511-B22
MSL5026SL, Rackmount, 1 SDLT Drive (Graphite)	302512-B21
MSL5026SL, Rackmount, 2 SDLT Drive (Graphite)	302512-B22

Note: Please see the StorageWorks MSL5026SL Library QuickSpecs for additional information including Upgrade Kits, Accessories, and SCSI Cable Kits and additional options needed for a complete solution at:

http://www5.compaq.com/products/quickspecs/11440_na/11440_na.HTML (North America)

http://www5.compaq.com/products/quickspecs/11440_div/11440_div.HTML (Division/World Wide)

MSL5026S2 SDLT Library

MSL5026S2, Rackmount, 0 Drive Library	293472-B21
MSL5026S2, Rackmount, 1 Drive, SDLT2 Library	293472-B22
MSL5026S2, Rackmount, 2 Drives, SDLT2 Library	293472-B23
MSL5026S2FC, Rackmount, 1 Drive, SDLT2 Library	293472-B24
MSL5026S2FC, Rackmount, 2 Drives, SDLT2 Library	293472-B25
MSL5026S2, Tabletop, 1 Drive, SDLT2 Library	293473-B21
MSL5026S2, Tabletop, 2 Drives, SDLT2 Library	293473-B22

Note: Please see the StorageWorks MSL5026S2 Library QuickSpecs for additional information including Upgrade Kits, Accessories, and SCSI Cable Kits and additional options needed for a complete solution at:

http://www5.compaq.com/products/quickspecs/11453_na/11453_na.HTML (North America)

http://www5.compaq.com/products/quickspecs/11453_div/11453_div.HTML (Division/World Wide)

Options

Tape Automation (continued)

Departmental Tape Library

MSL5052SL SDLT Library

MSL5052, Rackmount, 0 Drive, SDLT ALL	255102-B21
MSL50502SL, SDLT, 110/220, 2 Drives, LVD, Table Top	249490-B21
MSL50502SL, SDLT, 110/220, 2 Drives, LVD, Rackmount	249491-B21

Note: Please see the StorageWorks MSL5052SL Library QuickSpecs for additional information including Upgrade Kits, Accessories, and SCSI Cable Kits and additional options needed for a complete solution at:
http://www5.compaq.com/products/quickspecs/11061_na/11061_na.HTML (North America)
http://www5.compaq.com/products/quickspecs/11061_div/11061_div.HTML (Division/World Wide)

MSL5052S2 SDLT Library

MSL5052S2, Tabletop, 2 Drives, SDLT2 Library	293476-B21
MSL5052S2, Rackmount, 2 Drives, SDLT2 Library	293474-B21
MSL5052S2FC, Rackmount, 2 Drives, SDLT2 Library	293474-B24

Note: Please see the StorageWorks MSL5052S2 Library QuickSpecs for additional information including Upgrade Kits, Accessories, and SCSI Cable Kits and additional options needed for a complete solution at:
http://www5.compaq.com/products/quickspecs/11442_na/11442_na.HTML (North America)
http://www5.compaq.com/products/quickspecs/11442_div/11442_div.HTML (Division/World Wide)

MSL5030 LTO Library

MSL5030L1, Rackmount, 0 Drive Library	301897-B21
MSL5030L1, Rackmount, 1 Drive, LTO1 Library	301897-B22
MSL5030L1, Rackmount, 2 Drives, LTO1 Library	301897-B23
MSL5030L1FC, Rackmount, 1 Drive, LTO1 Library	301897-B24
MSL5030L1FC, Rackmount, 2 Drives, LTO1 Library	301897-B25
MSL5030L1, Tabletop, 1 Drive, LTO1 Library	301898-B21
MSL5030L1, Tabletop, 2 Drives, LTO1 Library	301898-B22

Note: Please see the StorageWorks MSL5030 LTO Library QuickSpecs for additional information including Upgrade Kits, Accessories, and SCSI Cable Kits and additional options needed for a complete solution at:
http://www5.compaq.com/products/quickspecs/11439_na/11439_na.HTML (North America)
http://www5.compaq.com/products/quickspecs/11439_div/11439_div.HTML (Division/World Wide)

MSL5060 LTO Library

MSL5060L1, Rackmount, 0 Drive Library	301899-B21
MSL5060L1, Rackmount, 2 Drives, LTO1 Library	301899-B22
MSL5060L1FC, Rackmount, 2 Drives, LTO1 Library	301899-B23
MSL5060L1, Tabletop, 2 Drives, LTO1 Library	301900-B21

Note: Please see the StorageWorks MSL5060 LTO Library QuickSpecs for additional information including Upgrade Kits, Accessories, and SCSI Cable Kits and additional options needed for a complete solution at:
http://www5.compaq.com/products/quickspecs/11438_na/11438_na.HTML (North America)
http://www5.compaq.com/products/quickspecs/11438_div/11438_div.HTML (Division/World Wide)

MSL5000 series Libraries Options

MSL5K Field Upgrade SDLT 110/220 Drive, LVD	231823-B22
MSL5000 SDLT2 Upgrade Drive	293475-B21
MSL5000 LTO1 Upgrade Drive	301901-B21
MSL5000 Dual Magazine LTO	301902-B21
MSL5000 Dual Magazine DLT	232136-B21

Required Adapters for MSL5000 series Libraries

64-Bit/66Mhz Dual Channel Wide Ultra3 SCSI Adapter	129803-B21
64-Bit/66Mhz Dual Channel Wide Ultra3 SCSI Adapter (Japan)	129803-291

Options

Tape Automation (continued)

Enterprise 9000 System Library

ESL9198SL SDLT Library

ESL9198 Enterprise Library LVD, 0 Drives	194993-B21
ESL9198SL Enterprise Library, LVD 4 110/220 SDLT Drives	234618-B21
ESL9198SL Enterprise Library, LVD 8 110/220 SDLT Drives	234618-B22

Note: Please see the StorageWorks ESL9198SL Enterprise Library QuickSpecs for additional information including Tape Drives, Cartridges, Controllers, and SCSI Cables and additional options needed for a complete solution at:

http://www5.compaq.com/products/quickspecs/10867_na/10867_na.HTML (North America)

http://www5.compaq.com/products/quickspecs/10867_div/10867_div.HTML (World Wide)

ESL9322S2 SDLT Library

ESL9322S2, 222 slot, 2 Drives, SDLT2	293409-B22
ESL9322S2, 222 slot, 8 Drives, SDLT2	293409-B28
ESL9322S2, 322 slot, 2 Drives, SDLT2	293410-B22
ESL9322S2, 322 slot, 8 Drives, SDLT2	293410-B28

Note: Please see the StorageWorks ESL9322S2 Enterprise Library QuickSpecs for additional information including Tape Drives, Cartridges, Controllers, and SCSI Cables and additional options needed for a complete solution at:

http://www5.compaq.com/products/quickspecs/11437_na/11437_na.HTML (North America)

http://www5.compaq.com/products/quickspecs/11437_div/11437_div.HTML (World Wide)

ESL9322L1 SDLT Library

ESL9322L1, 222 slot, 2 Drives, LTO1	301927-B22
ESL9322L1, 222 slot, 8 Drives, LTO1	301927-B28
ESL9322L1, 322 slot, 2 Drives, LTO1	301928-B22
ESL9322L1, 322 slot, 8 Drives, LTO1	301928-B28

Note: Please see the StorageWorks ESL9322L1 Enterprise Library QuickSpecs for additional information including Tape Drives, Cartridges, Controllers, and SCSI Cables and additional options needed for a complete solution at:

http://www5.compaq.com/products/quickspecs/11445_na/11445_na.HTML (North America)

http://www5.compaq.com/products/quickspecs/11445_div/11445_div.HTML (World Wide)

ESL9595SL SDLT Library

ESL9595SL Enterprise Library, 400 slot, 16 Drive	274672-B22
ESL9595SL Enterprise Library, 500 slot, 2 Drive	281627-B22

Note: Please see the StorageWorks ESL9595SL Enterprise Library QuickSpecs for additional information including Tape Drives, Cartridges, Controllers, and SCSI Cables and additional options needed for a complete solution at:

http://www5.compaq.com/products/quickspecs/11332_na/11332_na.HTML (North America)

http://www5.compaq.com/products/quickspecs/11332_div/11332_div.HTML (World Wide)

ESL9595S2 SDLT Library

ESL9595S2, 400 slot, 2 Drives, SDLT2	293411-B22
ESL9595S2, 400 slot, 16 Drives, SDLT2	293411-B28
ESL9595S2, 500 slot, 2 Drives, SDLT2	293412-B22
ESL9595S2, 500 slot, 16 Drives, SDLT2	293412-B28
ESL9595S2, 595 slot, 2 Drives, SDLT2	293413-B22
ESL9595S2, 595 slot, 16 Drives, SDLT2	293413-B28

Note: Please see the StorageWorks ESL9595S2 Enterprise Library QuickSpecs for additional information including Tape Drives, Cartridges, Controllers, and SCSI Cables and additional options needed for a complete solution at:

http://www5.compaq.com/products/quickspecs/11436_na/11436_na.HTML (North America)

http://www5.compaq.com/products/quickspecs/11436_div/11436_div.HTML (World Wide)

Options

Tape Automation (continued)

Enterprise 9000 System Library (continued)

ESL9595L1 SDLT Library

ESL9595L1, 400 slot, 2 Drives, LTO1	301929-B22
ESL9595L1, 400 slot, 16 Drives, LTO1	301929-B28
ESL9595L1, 500 slot, 2 Drives, LTO1	301931-B22
ESL9595L1, 500 slot, 16 Drives, LTO1	301931-B28
ESL9595L1, 595 slot, 2 Drives, LTO1	301932-B22
ESL9595L1, 595 slot, 16 Drives, LTO1	301932-B28

Note: Please see the StorageWorks ESL9595L1 Enterprise Library QuickSpecs for additional information including Tape Drives, Cartridges, Controllers, and SCSI Cables and additional options needed for a complete solution at:

http://www5.compaq.com/products/quickspecs/11435_na/11435_na.HTML (North America)
http://www5.compaq.com/products/quickspecs/11435_div/11435_div.HTML (World Wide)

ESL9000 series Libraries Options

ESL9000 Field Upgrade SDLT 110/220, LVD Drive (ESL9198SL, ESL9326SL, ESL9595SL)	234617-B21
ESL9595 500 Slot Upgrade	274674-B21
ESL9595 595 Slot Upgrade	274674-B22
ESL9000 LTO1 Upgrade Drive	301930-B21
ESL9000 LVD SDLT-160 Drive Upgrade	293414-B21
ESL9000 HVD SDLT-160 Drive Upgrade	293415-B21
ESL9000 Universal Load Port	302254-B21
ESL9322 222 Slot to ESL9322 322 Slot Upgrade	293588-B21
ESL9000 6 Slot DLT Magazine	229909-B21

Required Adapters for ESL9000 Libraries

64-Bit/66-Mhz Dual Channel Wide Ultra3 SCSI Adapter	129803-B21
Note: 64-Bit/66-Mhz Dual Channel Wide Ultra3 SCSI Adapter is required to support the LVD based libraries (ESL9595SL).	
64-Bit/66-Mhz Dual Channel Wide Ultra3 SCSI Adapter (Japan)	129803-291
Note: 64-Bit/66-Mhz Dual Channel Wide Ultra3 SCSI Adapter is required to support the LVD based libraries (ESL9595SL).	

External Storage – Tower and Rack

StorageWorks Enclosure Model 4314T (tower) by Compaq	190210-001
StorageWorks Enclosure Model 4314T (tower) (Int'l)	190210-B31
StorageWorks Enclosure Model 4314T (tower) (Japan)	190210-291
StorageWorks Enclosure Model 4314R (rack-mountable)	190209-001
StorageWorks Enclosure Model 4314R (rack-mountable) (Int'l)	190209-B31
StorageWorks Enclosure Model 4314R (rack-mountable) (Japan)	190209-291
StorageWorks Enclosure Model 4354R (rack-mountable)	190211-001
StorageWorks Enclosure Model 4354R (rack-mountable) (Int'l)	190211-B31
StorageWorks Enclosure Model 4354R (rack-mountable) (Japan)	190211-291
Note: The StorageWorks Enclosure 4300 Family support the Wide Ultra2/Ultra3 1" Hot Plug Hard Drives.	
StorageWorks Enclosure 4200 Redundant Power Supply Option	119826-B21
StorageWorks Enclosure 4200 Ultra3 Single Bus I/O Module Option	190212-B21
StorageWorks Enclosure 4200 Ultra3 Dual Bus I/O Module Option	190213-B21
StorageWorks Enclosure Tower to Rack Conversion Kit	150213-B21

Options

MSA1000	MSA 1000	201723-B21
	MSA 1000 Controller	218231-B21
	MSA Fibre Channel I/O Module	218960-B21
	MSA1000 Fabric Switch	218232-B21
	MSA 1000 Fibre Channel Adapter (FCA) 2101	245299-B21
StorageWorks RAID Array 4100	StorageWorks Raid Array 4100 (rack)	146013-001
	StorageWorks Raid Array 4100 (rack) (Int'l)	146013-B31
	StorageWorks Raid Array 4100 (rack) (Japan)	146013-291
	Fibre Channel Storage Hub 7	234453-001
	Fibre Channel Storage Hub 7 (Int'l)	234453-B31
	Fibre Channel Storage Hub 7 (Japan)	234453-291
	Compaq Storage Hub 7 Universal Rack Mount Kit	136127-B21
	Fibre Channel Host Adapter Redundancy Kit	174681-B21
	StorageWorks Raid Array 4000 Redundant Array Controller	223187-B21
	StorageWorks Fibre Channel Arbitrated Loop Switch 8	177862-B21
	StorageWorks Fibre Channel Arbitrated Loop Switch 8 (Japan)	177862-291
	StorageWorks Fibre Channel Arbitrated Loop 3-Port Expansion Module	177863-B21
	StorageWorks Fibre Channel SAN Switch 8-EL	176219-B21
	GBIC-SW Connector Kit (two each)	234459-B21
	GBIC-LW Connector Kit (two each)	340412-B21
	Fibre Channel Connection Kit, 3 SW GBICS, 2 Cables	380579-B21
	Fibre Channel Connection Kit, 2 SW GBICS, 2 Cables	380596-B21
	Fibre Channel Short Wave GBIC	380561-B21
	Fibre Channel Long Wave GBIC	127508-B21
	2-meter Multi-Mode Fibre Channel Cable	234457-B21
	5-meter Multi-Mode Fibre Channel Cable	234457-B22
	15-meter Multi-Mode Fibre Channel Cable	234457-B23
	30-meter Multi-Mode Fibre Channel Cable	234457-B24
50-meter Multi-Mode Fibre Channel Cable	234457-B25	
<p>Note: Please see the StorageWorks RAID Array 4100 QuickSpecs for FC Hubs, FC switches, software support, host adapters/controllers, disks, and options for complete solutions at: http://www5.compaq.com/products/quickspecs/10435_na/10435_na.HTML (North America) http://www5.compaq.com/products/quickspecs/10435_div/10435_div.HTML (Division/World Wide)</p>		
StorageWorks Modular Array 8000/Enterprise Modular Array 12000	EMA12000 D14 60 Hz	175990-B21
	EMA12000 D14 50 Hz	175990-B22
	EMA12000 S14 60 Hz	175991-B21
	EMA12000 S14 50 Hz	175991-B22
	MA8000 60 Hz	175992-B21
	MA8000 50 Hz	175992-B22
	EMA12000 Blue 60 Hz	175993-B21
	EMA12000 Blue 50 Hz	175993-B22
	<p>Note: Options include controller, solution kits, ACS. MA8000/EMA12000 includes controller shelf, drive shelves and cabinet. Packaging upgrade to RA8000/ESA12000.</p> <p>Note: Please see the StorageWorks MA8000/EMA12000 QuickSpecs for FC Hubs, FC switches, platform software, host adapters, disks and options for complete solutions at: http://www5.compaq.com/products/quickspecs/10545_na/10545_na.HTML (North America) http://www5.compaq.com/products/quickspecs/10545_div/10545_div.HTML (Division/World Wide)</p>	

Options

StorageWorks Enterprise Modular Array 16000 FC	EMA16000 D14 50 Hz (opal)	238792-B22
	EMA16000 D14 60 Hz (opal)	238792-B21
	EMA16000 S14 50 Hz (opal)	238791-B22
	EMA16000 S14 60 Hz (opal)	238791-B21
<p>Note: Models include: Dual HSG80 controllers in each Model 2200 enclosure (2 pairs per single bus configuration, 4 pairs per dual bus configuration) with 1GB cache per controller pair, and 12 14-bay drive enclosures with redundant power supplies. Configure-to-Order (CTO) builds are available. Options include ACS, platform kits and <i>SANworks</i>™ software.</p> <p>Note: Please see the StorageWorks EMA16000 QuickSpecs for FC switches, platform software, host adapters, disks and options for complete solutions at: http://www5.compaq.com/products/quicksepcs/10812_na/10812_na.HTML (North America) http://www5.compaq.com/products/quicksepcs/10812_div/10812_div.HTML (Division/World Wide)</p>		
StorageWorks Options	StorageWorks Fibre Channel SAN Switches 8-EL	176219-B21
	StorageWorks SAN Switch 2/8-EL	258707-B21
	StorageWorks SAN Switch 2/8-EL Upgrade	288162-B21
	StorageWorks SAN Switch 2/16-EL	283056-B21
	StorageWorks SAN Switch 2/16-EL Upgrade	288250-B21
Compaq UPS Power Cord Reference Guide	<p><i>Please see the Compaq UPS Power Cord Reference Guide for that lists cable descriptions, requirements, and specifications for Compaq UPS units.</i> ftp://ftp.compaq.com/pub/products/servers/proliantstorage/power-protection/powercordmatrix.pdf</p>	
Uninterruptible Power Systems - Tower	UPS Model T1000 XR (1000VA, 700 Watt), Low Voltage (NA)	204155-001
	UPS Model T1000 XR (1000VA, 700 Watt), High Voltage (Int'l)	204155-B31
	UPS Model T1500 XR (1440VA, 1050 Watt), Low Voltage (NA)	204155-002
	UPS Model T1500 XR (1500VA, 1050 Watt), High Voltage (Int'l)	204155-B32
	UPS Model T1500 XR (1500VA, 1050 Watt), Low Voltage (Japan)	204155-291
	UPS Model T2200 XR (1920VA, 1600 Watt), Low Voltage (NA)	204451-001
	UPS Model T2200 XR (2080VA, 1600 Watt), High Voltage (NA)	204451-002
	UPS Model T2200 XR (2200VA, 1600 Watt), Low Voltage (NA)	204451-B31
	UPS Model T2200 XR (2200VA, 1600 Watt), Low Voltage (Japan)	204451-291
Uninterruptible Power Systems - Rack	Compaq UPS R1500 XR (1440VA, 1340 Watt), Low Voltage (NA)	204404-001
	Compaq UPS R1500 XR (1500VA, 1340 Watt), High Voltage (Int'l)	204404-B31
	Compaq UPS R1500 XR (1500VA, 1340 Watt), Low Voltage (Japan)	204404-291
	Compaq UPS R3000 XR (2880VA, 2700 Watt), Low Voltage (NA)	192186-001
	Compaq UPS R3000 XR (3000VA, 2700 Watt), High Voltage (NA)	192186-002
	Compaq UPS R3000 XR (2400VA, 2250 Watt), Low Voltage (Japan)	192186-291
	Compaq UPS R3000 XR (3000VA, 2700 Watt), High Voltage (Japan)	192186-292
	Compaq UPS R3000 XR (3000VA, 2700 Watt), High Voltage (Int'l - detachable cord)	192186-B31
	Compaq UPS R3000 XR (3000VA, 2700 Watt), High Voltage (16A IEC309 Plug)	192186-B32
	Compaq UPS R3000 XR (3000VA, 2700 Watt), High Voltage (16A CEE 7/7 SCHUKO Plug)	192186-B33
	Compaq UPS R3000 XR (3000VA, 2700 Watt), High Voltage (16A BS-546 Plug)	192186-AR1
	Rack-Mountable UPS R6000 (6000VA, 6000 Watt) High Voltage (NA)	347207-001
	Note: The UPS R6000 has a hardwired input.	
	Rack-Mountable UPS R6000 (6000VA, 6000 Watt) High Voltage (Int'l)	347207-B31
	Note: The UPS R6000 has a hardwired input.	
	Rack-Mountable UPS R6000 (6000VA, 6000 Watt) High Voltage (Japan)	347207-291
Note: The UPS R6000 has a hardwired input.		
UPS R12000 XR N+x (200-240V) (WW-hardwired)	207552-B22	
Note: The UPS R12000 XR has a hardwired input and output.		

Options

UPS Options	SNMP Serial Port Card <i>Note: Supports tower and rack UPS XR models ranging from 1000 – 3000VA.</i>	192189-B21	
	Six Port Card <i>Note: Supports tower and rack UPS XR models ranging from 1000 – 3000VA.</i>	192185-B21	
	High to Low Voltage Transformer (250VA) <i>Note: Supports R6000 UPS series only. 2.5 amps @ 125 Volts max output across two NEMA 5-15.</i>	388643-B21	
	Extended Runtime Module, T1000 XR <i>Note: 2U each, two ERM maximum.</i>	218967-B21	
	Extended Runtime Module, T1500 XR/T2200 XR <i>Note: 3U each, one ERM maximum.</i>	218969-B21	
	Extended Runtime Module, R1500 XR <i>Note: 2U each, two ERM maximum.</i>	218971-B21	
	Extended Runtime Module, R3000 XR <i>Note: 2U each, one ERM maximum.</i>	192188-B21	
	Extended Runtime Module, R6000 <i>Note: 3U each, two ERM maximum.</i>	347224-B21	
	Extended Runtime Module, R12000 XR, 4U <i>Note: 4U each, two ERM maximum.</i>	217800-B21	
	SNMP-EN Adapter <i>Note: Supports R6000 UPS series only.</i>	347225-B21	
	Multi-Server UPS Card <i>Note: Supports R6000 UPS series only.</i>	123508-B21	
	Scalable UPS Card <i>Note: Supports R6000 UPS s-eries only.</i>	123509-B21	
	Rack-Mountable PDUs – 1U/0U (Up to 12 outlets) <i>Note: 0U mounting brackets shipped with the unit (separate option kit for 1U mounting).</i>	Compaq Power Distribution Unit-16A (200 to 240V) (WW) <i>Note: The 16A PDU also connects to the high volt models of the UPS R3000 XR (need cable PN 340653-001 (NA)) and the UPS R6000 models. Cable PN 340653-001 required if connecting to UPS R3000 XR (192186-002 NA-High Volt model only).</i>	207590-B21
		Compaq Power Distribution Unit-24A (200 to 240V) (NA, Japan, LA) <i>Note: This PDU may also be used to connect to the low volt UPS R3000 XR model.</i>	207590-D72
Compaq Power Distribution Unit-32A (200 to 240V) (Int'l)		207590-B31	
Compaq Power Distribution Unit-40A (200 to 240V) (WW)		207590-B23	
Compaq Power Distribution Unit-24A (100 to 127V) (NA, Japan, LA)		207590-D71	
1U PDU Mounting Brackets <i>Note: The 1U PDU Mounting Brackets are required when mounting PDU's PN 207590-xxx series in 1U configurations.</i>		215852-B21	
<i>Note: Please see the following Power Distribution Unit (Zero-U/1U PDU) QuickSpecs for additional options including cables:</i> http://www5.compaq.com/products/quickspecs/10838_na/10838_na.HTML (North America) http://www5.compaq.com/products/quickspecs/10838_div/10838_div.HTML (Division/World Wide)			
Dual Input PDUs, 1U/0U (Up to 12 outlets) <i>Note: 1U/0U mounting brackets shipped with the unit (optimized for 10000 and 9000 series racks).</i>		Compaq Dual Input Power Distribution Unit-24A High Voltage (NA only)	191186-001
	Compaq Dual Input Power Distribution Unit-24A High Voltage (Int'l)	191186-B31	
	<i>Note: Please see the following Power Distribution Unit (Zero-U/1U PDU) QuickSpecs for additional options including cables:</i> http://www5.compaq.com/products/quickspecs/10838_na/10838_na.HTML (North America) http://www5.compaq.com/products/quickspecs/10838_div/10838_div.HTML (Division/World Wide)		

Options

Modular PDUs 1U/0U (Up to 32 outlets) Note: 1U/0U mounting brackets shipped with the unit (optimized for 10000 and 9000 series racks).	Modular Power Distribution Units (mPDU), Low Volt Model, 24A (100-127 VAC) (NA, Japan) Note: This mPDU (252663-D71) may also be used to connect the low volt model of the UPS R3000 XR.	252663-D71
	Modular Power Distribution Units (mPDU), High Volt Model, 24A (200-240 VAC) (NA, Japan)	252663-D72
	Modular Power Distribution Units (mPDU), High Volt Model, 32A (200-240 VAC) (Int'l)	252663-B31
	Modular Power Distribution Units (mPDU), High Volt Model, 40A (200-240 VAC) (WW) Note: This mPDU (252663-B21), 40A model has a hardwired input.	252663-B21
	Note: Please see the following Modular Power Distribution Unit (Zero-U/1U Modular PDUs) QuickSpecs for additional options including cables: http://www5.compaq.com/products/quickspecs/11041_na/11041_na.HTML (North America) http://www5.compaq.com/products/quickspecs/11041_div/11041_div.HTML (Division/World Wide)	
Rack Builder	Compaq Rack Builder for configuration assistance at http://www.compaq.com/rackbuilder/.	
Rack Conversion Kit	Compaq ProLiant Tower to Rack Conversion Kit Note: This Tower to Rack Conversion Kit (PN 128289-B21) supports the ProLiant ML570 and ML530 servers.	128289-B21
Compaq Rack 10000 Series (Graphite Metallic)	Compaq Rack 10842 (42U, 800mm wide) – Pallet	257415-B21
	Compaq Rack 10842 (42U, 800mm wide) – Shock Pallet	257415-B22
	Compaq Rack 10647 (47U) – Pallet	245160-B21
	Compaq Rack 10647 (47U) – Crated	245160-B23
	Compaq Rack 10642 (42U) – Pallet	245161-B21
	Compaq Rack 10642 (42U) – Shock Pallet	245161-B22
	Compaq Rack 10642 (42U) – Crated	245161-B23
	Compaq Rack 10636 (36U) – Pallet	245162-B21
	Compaq Rack 10636 (36U) – Shock Pallet	245162-B22
	Compaq Rack 10636 (36U) – Crate	245162-B23
	Compaq Rack 10622 (22U) – Pallet	245163-B21
	Compaq Rack 10622 (22U) – Shock Pallet	245163-B22
	Compaq Rack 10622 (22U) – Crated	245163-B23
	Note: -B21 (pallet) used to ship empty racks shipped on a truck -B22 (shock pallet) used to ship racks with equipment installed (by custom systems, VARs and Channels) -B23 (crated) used for air shipments of empty racks Note: It is mandatory to use a shock pallet in order to ship racks with equipment installed. Not all Compaq equipment is qualified to be shipped in the Rack 10000 series.	

Options

Compaq Rack 9000 Series (Opal)	Compaq Rack 9142 (42U) – Pallet	120663-B21
	Compaq Rack 9142 (42U) – Shock Pallet	120663-B22
	Compaq Rack 9142 (42U) – Crated	120663-B23
	Compaq Rack 9136 (36U) – Pallet	120664-B21
	Compaq Rack 9136 (36U) – Shock Pallet	120664-B22
	Compaq Rack 9136 (36U) – Crated	120664-B23
	Compaq Rack 9122 (22U) – Pallet	120665-B21
	Compaq Rack 9122 (22U) – Shock Pallet	120665-B22
	Compaq Rack 9122 (22U) – Crated	120665-B23
	Compaq Rack 9842 (800mm wide, 42U) - Pallet	222192-B21

Note: -B21 (pallet) used to ship empty racks shipped on a truck
 -B22 (shock pallet) used to ship racks with equipment installed (by custom systems, VARs and Channels)
 -B23 (crated) used for air shipments of empty racks

Rack Options for Compaq Rack 10000 Series	Rack Blanking Panels – Graphite (Multi)	253214-B26
	Note: Contains one each of 1U, 2U, 3U, and 4U panel.	
	Rack Blanking Panels – Graphite (1U)	253214-B21
	Note: The Rack Blanking Panels (PN 253214-B21) contains 10 each of (1U).	
	Rack Blanking Panels – Graphite (2U)	253214-B22
	Note: The Rack Blanking Panels (PN 253214-B21) contains 10 each of (2U).	
	Rack Blanking Panels – Graphite (3U)	253214-B23
	Note: The Rack Blanking Panels (PN 253214-B21) contains 10 each of (3U).	
	Rack Blanking Panels – Graphite (4U)	253214-B24
	Note: The Rack Blanking Panels (PN 253214-B21) contains 10 each of (4U).	
	Rack Blanking Panels – Graphite (5U)	253214-B25
	Note: The Rack Blanking Panels (PN 253214-B21) contains 10 each of (5U).	
	600mm Stabilizer Kit – Graphite	246107-B21
	800mm Wide Stabilizer Kit (Graphite)	255488-B21
	Note: Supported by the Rack 10842 cabinet only.	
	Baying Kit for Rack 10000 series (Carbon)	248929-B21
	42U Side Panel – Graphite Metallic	246099-B21
	110V Fan Kit (Graphite)	257413-B21
	Note: Roof Mount Includes power cord with IEC320-C13 to Nema 5-15P.	
220V Fan Kit (Graphite)	257414-B21	
Note: Roof Mount Includes power cord with IEC320-C13 to Nema 6-15P.		
36U Side Panel – Graphite Metallic	246102-B21	
47U Side Panel – Graphite Metallic	255486-B21	
9000/10000 Series Offset Baying Kit (42U)	248931-B21	
Note: This kit can be used to connect 9000 and 10000 series racks of the same U height together. Kit contents include hardware for connecting racks and a panel to cover the 100mm gap at the rear of the two racks.		

Options

Rack Options for Compaq Rack 9000 Series	Baying/Coupling Kit	120669-B21
	42U Side Panel	120670-B21
	<i>Note: The 42U Side Panel (PN 120670-B21) supports the Compaq Rack 9142 and Compaq Rack 9842.</i>	
	36U Side Panel	120671-B21
	<i>Note: The 36U Side Panel (PN 120671-B21) supports the Compaq Rack 9136.</i>	
	9142 Extension Kit	120679-B21
	<i>Note: The 9142 Extension Kit (PN 120679-B21) supports the Compaq Rack 9142 only.</i>	
	9142 Split Rear Door	254045-B21
	<i>Note: The 9142 Split Rear Door (PN 254045-B21) supports the 600 mm wide, 42U 9000 series rack.</i>	
	9136 Extension Kit	218216-B21
	9142 Short Rear Door	218217-B21
	<i>Note: The 9142 Short Rear Door (PN 218217-B21) supports the Compaq Rack 9142 only.</i>	
	9136 Short Rear Door	218218-B21
	9122 Short Rear Door (Opal)	218219-B21
	800mm Stabilizer Option Kit (Opal)	234493-B21
	<i>Note: The 800mm Stabilizer Kit (PN 234493-B21) supports the Rack 9842 only.</i>	
	600mm Stabilizer Option Kit	120673-B21
	Rack Blanking Panel (Multi)	169940-B21
	<i>Note: Kit includes four panels in 1U, 2U, 4U, and 8U.</i>	
	Rack Blanking Panels (1U)	189453-B21
<i>Note: The Rack Blanking Panels (PN 189453-B21) contains 10 each of (1U).</i>		
Rack Blanking Panels (2U)	189453-B22	
<i>Note: The Rack Blanking Panels (PN 189453-B22) contains 10 each of (2U).</i>		
Rack Blanking Panels (3U)	189453-B23	
<i>Note: The Rack Blanking Panels (PN 189453-B23) contains 10 each of (3U).</i>		
Rack Blanking Panels (4U)	189453-B24	
<i>Note: The Rack Blanking Panels (PN 189453-B24) contains 10 each of (4U).</i>		
Rack Blanking Panels (5U)	189453-B25	
<i>Note: The Rack Blanking Panels (PN 189453-B25) contains 10 each of (5U).</i>		
9000/10000 Series Offset Baying Kit (42U)	248931-B21	
<i>Note: This kit can be used to connect 9000 and 10000 series racks of the same U height together. Kit contents include hardware for connecting racks and a panel to cover the 100mm gap at the rear of the two racks.</i>		
Rack Options for Compaq Rack 7000 Series	High Air Flow Rack Door Insert for 7122	157847-B21
	High Air Flow Rack Door Insert for 7142	327281-B21
	High Air Flow Rack Door Insert for 7142 (6 pack)	327281-B22
	Compaq Networking Cable Management Kit	292407-B21
	Compaq Networking Recessed Rail Management Kit	292406-B21
	Compaq Rack Extension Kit for 7142	154392-B21

Options

Rack Options for Compaq Rack 7000, 9000 and 10000 Series		
	Monitor Utility Shelf	303606-B21
	Monitor/Utility Shelf - Graphite	253449-B21
	Depth Adjustable Fixed Rail	332558-B21
	Ballast Option Kit	120672-B21
	100kg Sliding Shelf	234672-B21
	Rack Rail Adapter Kit (25" depth)	120675-B21
	Cable Management D-Rings Kit	168233-B21
	Console Management Controller (CMC) Option Kit	203039-B21
	Console Management Controller (CMC) Sensors Option Kit	203039-B22
	Console Management Controller (CMC) Locking Option Kit	203039-B23
	Console Management Controller (CMC) Smoke Sensors Option Kit	203039-B24
	Server Console Switch 1 x 2 port (100-230 VAC)	120206-001
	Server Console Switch 1 x 2 port (100-230 VAC) (Int'l)	120206-B31
	Server Console Switch 1 x 2 port (100-230 VAC) (Japan)	120206-291
	Server Console Switch 1 x 4 port (100-230 VAC)	400336-001
	Server Console Switch 1 x 4 port (100-230 VAC) (Int'l)	400336-B31
	Server Console Switch 1 x 4 port (100-230 VAC) (Japan)	400336-291
	Server Console Switch 1 x 8 port (100-230 VAC)	400337-001
	Server Console Switch 1 x 8 port (100-230 VAC) (Int'l)	400337-B31
	Server Console Switch 1 x 8 port (100-230 VAC) (Japan)	400337-291
	Server Console Switch 2 x 8 port (100-230 VAC)	400338-001
	Server Console Switch 2 x 8 port (100-230 VAC) (Int'l)	400338-B31
	Server Console Switch 2 x 8 port (100-230 VAC) (Japan)	400338-291
	Server Console Switch 2 x 8 port (48VDC)	400542-B21
	IP Console Switch Box, 1x1x16	262585-B21
	IP Console Switch Box, 3x1x16	262586-B21
	IP Console Interface Adapter, 8 pack	262587-B21
	IP Console Interface Adapter, 1 pack	262588-B21
	IP Console Expansion Module	262589-B21
	KM 9 PIN Adapter (4 Pack)	149361-B21
	CPU to Server Console Cable, 12'	110936-B21
	CPU to Server Console Cable, 20'	110936-B22
	CPU to Server Console Cable, 40'	110936-B23
	CPU to Server Console Cable, 3'	110936-B24
	CPU to Server Console Cable, 7'	110936-B25
	CPU to Server Console Cable (Plenum Rated) 20'	149363-B21
	CPU to Server Console Cable (Plenum Rated) 40'	149364-B21
	IP CAT5 Cable 3', 4 pack	263474-B21
	IP CAT5 Cable 6', 8 pack	263474-B22
	IP CAT5 Cable 12', 8 pack	263474-B23
	IP CAT5 Cable 20', 4 pack	263474-B24
	IP CAT5 Cable 40', 1 pack	263474-B25
	Switch Box Connector Kit (115V)	144007-001
	Switch Box Connector Kit (230V)	144007-002
	Switch Box Connector Kit (high voltage) (Int'l)	144007-B33
	1U Rack Keyboard & Drawer (Carbon)	257054-001
	Note: The 1U Rack Keyboard & Drawer (PN 257054-xx1) is to be used with the Keyboards for Racks with Trackball (PN 158649-xxx).	

Options

Rack Options for Compaq Rack 7000, 9000 and 10000 Series
(continued)

Country Code Key (for 1U Rack Keyboard & Drawer (PN 257054-xx1))

XX = 001	US	XX = 091	Norway
XX = 031	UK	XX = 101	Sweden/Finland
XX = 041	Germany	XX = 111	Switzerland
XX = 051	France	XX = 131	Portugal
XX = 061	Italy	XX = 181	Belgium
XX = 071	Spain	XX = 291	Japan
XX = 081	Denmark	XX = B31	International

TFT5600 Rack Keyboard Monitor 221546-xx1

Country Code Key (for Keyboard with Hot Keys and Trackball (PN 158649-xxx))

XX = 001	US	XX = 009	Norway
XX = 003	UK	XX = 010	Sweden/Finland
XX = 004	Germany	XX = 011	Switzerland
XX = 005	France	XX = 013	Portugal
XX = 006	Italy	XX = 018	Belgium
XX = 007	Spain	XX = 291	Japan
XX = 008	Denmark	XX = B36	International

Keyboards for Racks with Trackball 158649-xx1

Country Code Key (for TFT5600 RKM Rack Keyboard Monitor (PN 221546-xx1))

XX = 001	US	XX = 091	Norway
XX = 031	UK	XX = 101	Sweden/Finland
XX = 041	Germany	XX = 111	Switzerland
XX = 051	France	XX = 131	Portugal
XX = 061	Italy	XX = 181	Belgium
XX = 071	Spain	XX = 291	Japan
XX = 081	Denmark	XX = B31	International

PCI KVM Management Card Kit 232983-B21

PCI KVM Remote Card Kit 232984-B21

Local Access Cable Kit 232985-B21

1U Rack Keyboard Drawer 338056-B21

Input Device Adjustable Rails 287139-B21

Input Device Telco Rail 287138-B21

Keyboard/Monitor/Mouse extension cables 169989-001

Options

Service and Support Offerings (CarePaq Services)	<i>Hardware Services 4-Hour On-site Service</i>	
	4-Hour On-site Service, 9-Hour x 5-Day Coverage, 3 Years (6-3 Part Number for US)	401783-002
	4-Hour On-site Service, 9-Hour x 5-Day Coverage, 3 Years (6-3 Part Number for Canada)	401783-122
	4-Hour On-site Service, 9-Hour x 5-Day Coverage, 3 Years (6-3 Part Number for EMEA)	324418-002
	4-Hour On-site Service, 24-Hour x 7-Day Coverage, 3 Years (6-3 Part Number for US)	401782-002
	4-Hour On-site Service, 24-Hour x 7-Day Coverage, 3 Years (6-3 Part Number for Canada)	401782-122
	4-Hour On-site Service, 24-Hour x 7-Day Coverage, 3 Years (6-3 Part Number for EMEA)	376911-022
	<i>Installation & Start-up Services</i>	
	Hardware Installation (6-3 Part Number for US)	401793-002
	Hardware Installation (6-3 Part Number for Canada)	401793-122
	Hardware Installation (6-3 Part Number for EMEA)	Quote
	Pre-installation planning; unpack equipment, install most current Compaq HW options internal to server at same time of server installation; assemble & test; basic user information provided; Install & configure basic functionality of Win NT Operating System plus up to 2 days start-up activity, configure print & network access services, and orientation (6-3 Part Number for U.S.)	240015-002
	Pre-installation planning; unpack equipment, install most current Compaq HW options internal to server at same time of server installation; assemble & test; basic user information provided; Install & configure basic functionality of Novell NetWare Operating System plus up to 2 days start-up activity, configure print & network access services, and orientation (6-3 Part Number for U.S.)	240010-002
	Server Installation and Set-Up (Installation of the server, installation of the appropriate service tools, check to ensure device SW and firmware is loaded and installation of the operating system software (6-3 Part Number for EMEA)	204564-022
	<i>CarePaq Priority Services for ProLiant Servers – Priority Level</i>	
	9 x 5 HW, 4-hr response, Next Available HW engineer; 9 x 5 Bronze Software Support 2-hr response for Windows NT, Windows 2000, Professional, Server or Advanced Server Operating System, Next Available Specialist (6-3 Part Number for U.S.)	239936-002
	9 x 5 HW, 4-hr response, Next Available HW engineer; 9 x 5 Bronze Software Support 2-hr response for Novell NetWare Operating System, Next Available Specialist (6-3 Part Number for U.S.)	239976-002
	5 x 9 4-hour H/W, 5 x 9 2-hour O/S (NT & NetWare), Three Years (6-3 Part Number for Canada)	155325-122
	5 x 9 4-hour H/W, 5 x 9 2-hour O/S (NT & NetWare), Three Years (6-3 Part Number for EMEA)	179836-022
	<i>CarePaq Priority Services for ProLiant Servers – Priority 24 Level</i>	
	24 x 7 HW, 4-hr response, Named HW engineer; 24 x 7 Bronze Software Support, 2-hr response for Windows NT, Windows 2000, Professional, Server or Advanced Server Operating System, Next Available Specialist (6-3 Part Number for U.S.)	239938-002
	24 x 7 HW, 4-hr response, Named HW engineer; 24 x 7 Bronze Software Support, 2-hr response for Novell NetWare Operating System, Next Available Specialist (6-3 Part Number for U.S.)	239978-002
	7 x 24 4-hour H/W, 7 x 24 2-hour O/S (NT & NetWare), Three years (6-3 Part Number for EMEA)	179841-022
	<i>CarePaq Priority Services for ProLiant Servers – Priority Plus Level</i>	
	7 x 24 4-hour H/W, 7 x 24 1-hour O/S (NT & NetWare), SPS account review, Three Years (6-3 Part Number for Canada)	155333-122

Options

Service and Support Offerings (CarePaq Services) <i>(continued)</i>	CarePaq Priority Services for ProLiant Servers – Priority Silver	
	24 x 7 HW, 4-hr response, Named HW engineer; 24 x 7 Silver Software Support, 1-hr response, Monday – Friday, 8AM – 5PM local time, 2-hr response after hours for Windows NT, Windows 2000, Professional, Server or Advanced Server Operating System, Technical Account Manager, Technical Newsletter, SW activity review, proactive patch notification, 1 System Healthcheck per year (6-3 Part Number for U.S.)	239940-002
	24 x 7 HW, 4-hr response, Named HW engineer; 24 x 7 Silver Subsequent System Support for Windows NT, Windows 2000, Professional, Server or Advanced Server Operating System (6-3 Part Number for U.S.)	239942-002
	24 x 7 HW, 4-hr response, Named HW engineer; 24 x 7 Silver Software Support, 1-hr response, Monday – Friday, 8AM – 5PM local time, 2-hr response after hours for Novell NetWare Operating System, Technical Account Manager, Technical Newsletter, SW activity review (6-3 Part Number for U.S.)	239980-002
	24 x 7 HW, 4-hr response, Named HW engineer; 24 x 7 Silver Subsequent System Support for Novell NetWare Operating System (6-3 Part Number for U.S.)	239982-002
	CarePaq Priority Services for ProLiant Servers – Priority Gold	
	24 x 7 HW, 4-hr response, Named HW engineer; 24 x 7 Gold Software Support, 30 minute response (critical), 1-hr response (non-critical), for Windows NT, Windows 2000, Professional, Server or Advanced Server Operating System, Technical Account Manager, Technical Newsletter, SW activity review, proactive revision management, Upgrade impact planning, 2 System Healthcheck per year (6-3 Part Number for U.S.)	239944-002
	24 x 7 HW, 4-hr response, Named HW engineer; 24 x 7 Gold Subsequent System Support for Windows NT, Windows 2000, Professional, Server or Advanced Server Operating System (6-3 Part Number for U.S.)	239946-002
	24 x 7 HW, 4-hr response, Named HW engineer; 24 x 7 Gold Software Support, 30 minute response (critical), 1-hr response (non-critical), for Novell NetWare Operating System, Technical Account Manager, Technical Newsletter, SW activity review, Upgrade impact planning (6-3 Part Number for U.S.)	239984-002
	24 x 7 HW, 4-hr response, Named HW engineer; 24 x 7 Gold Subsequent System Support for Novell NetWare Operating System (6-3 Part Number for U.S.)	239986-002
	CarePaq Priority Services for ProLiant Servers – Priority Gold Executive	
	24 x 7 HW, 2-hr response, Named HW engineer; 24 x 7 Gold Software Support, 30 minute response (critical), 1-hr response (non-critical), for Windows NT, Windows 2000, Professional, Server or Advanced Server Operating System, Technical Account Manager, Technical Newsletter, SW activity review, proactive revision management, Upgrade impact planning, 2 System Healthcheck per year (6-3 Part Number for U.S.)	239948-002
	24 x 7 HW, 2-hr response, Named HW engineer; 24 x 7 Gold Subsequent System Support for Windows NT, Windows 2000, Professional, Server or Advanced Server Operating System (6-3 Part Number for U.S.)	239950-002
	24 x 7 HW, 2-hr response, Named HW engineer; 24 x 7 Gold Software Support, 30 minute response (critical), 1-hr response (non-critical), for Novell NetWare Operating System, Technical Account Manager, Technical Newsletter, SW activity review, Upgrade impact planning (6-3 Part Number for U.S.)	239988-002
	24 x 7 HW, 2-hr response, Named HW engineer; 24 x 7 Gold Subsequent System Support for Novell NetWare Operating System (6-3 Part Number for U.S.)	239990-002
	CarePaq Priority Services for ProLiant Servers – Priority Premier Level	
	7 x 24 2-hour H/W, 7 x 24 1-hour O/S (NT & NetWare), SPS Account Review, Proactive Management Review, named S/w rep, Three Years (6-3 Part Number for Canada)	155337-122
	7 x 24 2-hour H/W, 7 x 24 30-minute O/S (NT & NetWare), SPS Account Review, Proactive Management Review, named S/w rep, Three Years (6-3 Part Number for Canada)	155341-122
	Note: For more information, customer/resellers can contact http://www.compaq.com/services .	

Memory

Compaq ProLiant ML530 Array Models

STANDARD MEMORY

256-MB PC133-MHz Registered ECC SDRAM DIMM installed (1 x 256-MB SDRAM DIMM)

STANDARD MEMORY PLUS OPTIONAL MEMORY

Up to 3840-MB memory is available with the optional installation of PC133-MHz Registered ECC SDRAM DIMM memory kits.

STANDARD MEMORY REPLACED WITH OPTIONAL MEMORY

Up to 4096-MB of memory is available with the removal of the standard 128-MB of memory and the optional installation of PC133-MHz Registered ECC SDRAM DIMM memory kits.

Caution: Exceeding 4-GB total memory will result in a substantial reduction in performance.

Note: This chart does not represent all possible memory configurations.

Memory		Slot							
		1	2	3	4	5	6	7	8
Standard	256 MB	256 MB	Empty	Empty	Empty	Empty	Empty	Empty	Empty
Optional	3840 MB	256 MB	512 MB	512 MB	512 MB	512 MB	512 MB	512 MB	512 MB
Maximum	4096 MB	512 MB	512 MB	512 MB	512 MB	512 MB	512 MB	512 MB	512 MB

Compaq ProLiant ML530 Non-Array Models

STANDARD MEMORY

128-MB PC133-MHz Registered ECC SDRAM DIMM installed (1 x 128-MB SDRAM DIMM)

STANDARD MEMORY PLUS OPTIONAL MEMORY

Up to 3712-MB memory is available with the optional installation of PC133-MHz Registered ECC SDRAM DIMM memory kits.

STANDARD MEMORY REPLACED WITH OPTIONAL MEMORY

Up to 4096-MB of memory is available with the removal of the standard 128-MB of memory and the optional installation of PC133-MHz Registered ECC SDRAM DIMM memory kits.

Caution: Exceeding 4-GB total memory will result in a substantial reduction in performance.

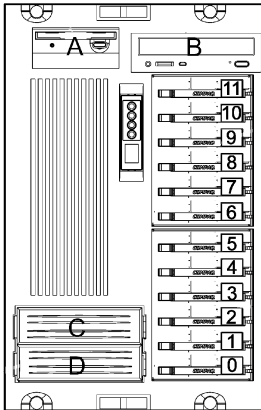
Note: This chart does not represent all possible memory configurations.

Memory		Slot							
		1	2	3	4	5	6	7	8
Standard	128 MB	128 MB	Empty	Empty	Empty	Empty	Empty	Empty	Empty
Optional	3712 MB	128 MB	512 MB	512 MB	512 MB	512 MB	512 MB	512 MB	512 MB
Maximum	4096 MB	512 MB	512 MB	512 MB	512 MB	512 MB	512 MB	512 MB	512 MB

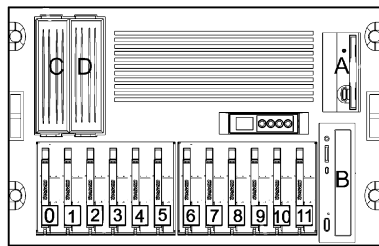
Following are memory options available from Compaq:

- 512-MB PC133-MHz Registered ECC SDRAM DIMM Memory Option Kit 128279-B21
- 256-MB PC133-MHz Registered ECC SDRAM DIMM Memory Option Kit 128278-B21
- 128-MB PC133-MHz Registered ECC SDRAM DIMM Memory Option Kit 128277-B21
- 64-MB PC133-MHz Registered ECC SDRAM DIMM Memory Option Kit 128276-B21

Storage



- 0 - 11 Two 6 x1 inch Wide Ultra2/ Ultra3 SCSI Hot Pluggable Hard Drive Cages
- A 1.44MB Diskette Drive
- B Low-profile 32x or 40x IDE CD-ROM
- C, D Two available half height bays for tape backup storage



- 0 - 11 Two 6 x1 inch Wide Ultra2/ Ultra3 SCSI Hot Pluggable Hard Drive Cages
- A 1.44MB Diskette Drive
- B Low-profile 32x or 40x IDE CD-ROM
- C, D Two available half height bays for tape backup storage

DRIVE SUPPORT

	Quantity Supported	Position Supported	Controller
Removable Media			
1.44-MB Diskette Drive	Up to 1	A	Integrated
IDE CD-ROM Drive	Up to 1	B	Integrated IDE
DVD-ROM Drive Option Kit	Up to 1	B	Integrated IDE
ML5xx Internal Two Bay Hot Plug Wide Ultra2/ Ultra3 SCSI Drive Cage (with fan)	Up to 1	C, D	Integrated SCSI

Hard Drives

Wide Ultra3 Hot Pluggable Drives

1-inch	Up to 6	0-5	Integrated Dual Channel Wide Ultra2 SCSI Adapter
72.8-GB 10,000 rpm	Up to 12	0-11	Smart Array 532 Controller
36.4-GB 10,000 rpm	(In Array Models or with optional Drive Cage Option Kit)	0-11 + C, D	Smart Array 5304/128 Controller
18.2-GB 10,000 rpm			Smart Array 5304/256 Controller
36.4-GB 15,000 rpm			Smart Array 5312 Controller
18.2-GB 15,000 rpm	Up to 14		64-bit/66-MHz Dual Channel Wide Ultra3 SCSI Adapter
	(With optional Drive Cage and ML5xx Internal Two Bay Hot Plug Wide Ultra2/ Ultra3 SCSI Drive Cage)		64-bit/66-MHz Single Channel Wide Ultra3 SCSI Adapter

Storage

DRIVE SUPPORT *(continued)*

	Quantity Supported	Position Supported	Controller
External Storage			
StorageWorks Enclosure 4300 Family (supports Ultra2/Ultra3 drives only)	Up to 24	External	Smart Array 532 Controller Smart Array 5304/128 Controller Smart Array 5304/256 Controller Smart Array 5312 Controller 64-bit/66-MHz Dual Channel Wide Ultra3 SCSI Adapter 64-bit/66-MHz Single Channel Wide Ultra3 SCSI Adapter
StorageWorks Raid Array 4100 Kit	Up to 10 (with optional StorageWorks Hubs or Switches)	External	64-Bit/66-Mhz Fibre Channel Host Adapter
MSA 1000	Please see the MSA 1000 QuickSpecs below to determine configuration requirements	External	Please see the MSA 1000 QuickSpecs (URL below) for the latest list of supported HBAs
MSA 1000: http://www5.compaq.com/products/quickspecs/11033_div/11033_div.HTML			

Maximum Storage Capacity – (Optional Ultra2/Ultra3 Drive Cage, Optional ML5xx Internal Two Bay Hot Plug Wide Ultra2/Ultra3 SCSI Drive Cage, & StorageWorks Enclosure)

Internal	1.019 TB (14 x 72.8-GB Wide Ultra3 1" Drives)
External	24.460 TB hot plug SCSI storage (24 x (14 x 72.8-GB Wide Ultra3 1" Drives))
Total	25.480 TB

Maximum Storage Capacity – (Ultra2/Ultra3 Drive Cage & StorageWorks Enclosure)

Internal	873.6 GB (12 x 72.8-GB Wide Ultra3 1" Drives) (Standard Drive cage & Optional Drive cage installed)
External	24.460 TB hot plug SCSI storage (24 x (14 x 72.8-GB Wide Ultra3 1" Drives))
Total	25.334 TB

Maximum Storage Capacity (Ultra2/Ultra3 Drive Cage & RAID Array 4100)

Internal	873.6 GB (12 x 72.8-GB Wide Ultra3 1" Drives) (Standard Drive cage & Optional Drive cage installed)
External	8.736 TB (10 x (12 x 72.8-GB Wide Ultra3 1" Drives))
Total	9.609 TB

	Quantity Supported	Position Supported	Controller
--	--------------------	--------------------	------------

Tape Drives

Note: For an up-to-date listing of the latest O/S Support details for each of the Tape Drives listed below, please see the following:

http://www5.compaq.com/products/quickspecs/North_America/10233.html (North America)

<http://www5.compaq.com/products/quickspecs/Division/10233.html> (Division/World Wide)

Note: For an up-to-date listing of the latest O/S Support details for each of the Tape Storage Systems listed below, please see the following:

http://www5.compaq.com/products/quickspecs/North_America/10809.html (North America)

<http://www5.compaq.com/products/quickspecs/Division/10809.html> (Division/World Wide)

Internal AIT 100-GB, Hot Plug	Up to 5	2-11	Smart Array 532 Controller
Internal AIT 50-GB, Hot Plug			Smart Array 5304/128 Controller
Internal AIT 35-GB, LVD Hot Plug			Smart Array 5304/256 Controller
Internal 20/40-GB DAT Drive, Hot Plug			Smart Array 5312 Controller
			*Note: The Smart Array 532 Controller does not support the AIT 100-GB Hot Plug Tape Drive.
Internal 20/40-GB DAT DDS-4	Up to 2	C, D	Integrated Dual Channel Wide Ultra2 Adapter
Internal 12/24-GB DAT			64-Bit/66-MHz Dual Channel Wide Ultra3 SCSI Adapter
			64-Bit/66-MHz Single Channel Wide Ultra3 SCSI Adapter
SDLT 110/220-GB, Internal	Up to 1	A, B	64-bit/66-MHz Dual Channel Wide Ultra3 SCSI Adapter
			64-bit/66-MHz Single Channel Wide Ultra3 SCSI Adapter

Storage

DRIVE SUPPORT *(continued)*

	Quantity Supported	Position Supported	Controller
Tape Drives <i>(continued)</i>			
Internal 40/80-GB DLT Enhanced	1	C + D (two bays)	Integrated Dual Channel Wide Ultra2 Adapter 64-Bit/66-MHz Dual Channel Wide Ultra3 SCSI Adapter 64-Bit/66-MHz Single Channel Wide Ultra3 SCSI Adapter
Internal AIT 100-GB Tape Drive Internal AIT 50-GB Tape Drive Internal AIT 35-GB LVD	Up to 2	C, D	Integrated Dual Channel Wide Ultra2 Adapter 64-Bit/66-MHz Dual Channel Wide Ultra3 SCSI Adapter 64-Bit/66-MHz Single Channel Wide Ultra3 SCSI Adapter
External AIT 100-GB Tape Drive External AIT 50-GB Tape Drive External AIT 35-GB LVD	Up to 2	External	Integrated Dual Channel Wide Ultra2 Adapter 64-Bit/66-MHz Dual Channel Wide Ultra3 SCSI Adapter 64-Bit/66-MHz Single Channel Wide Ultra3 SCSI Adapter
HP StorageWorks AIT 35 GB Autoloader	Up to 1 (for a single HBA) Up to 2 (for a dual HBA)	External	64-bit/66-MHz Dual Channel Wide Ultra3 SCSI Adapter 64-bit/66-MHz Single Channel Wide Ultra3 SCSI Adapter
SDLT 110/220-GB, External	Up to 2	External	64-bit/66-MHz Dual Channel Wide Ultra3 SCSI Adapter 64-bit/66-MHz Single Channel Wide Ultra3 SCSI Adapter
External 40/80-GB DLT Enhanced	Up to 3	External	Integrated Dual Channel Wide Ultra2 Adapter 64-Bit/66-MHz Dual Channel Wide Ultra3 SCSI Adapter 64-Bit/66-MHz Single Channel Wide Ultra3 SCSI Adapter
SSL2020 AIT Library	Up to 5	External	64-Bit/66-MHz Dual Channel Wide Ultra3 SCSI Adapter
MSL5026DLX (40/80GB DLT-based) MSL5026SL (SDLT-based) Library MSL5026S2 (SDLT-based) Library MSL5052SL (SDLT-based) Library MSL5052S2 (SDLT-based) Library MSL5030L1 (LTO-based) Library MSL5060L1 (LTO-based) Library	2 drives per SCSI channel	External	64-Bit Dual Channel Wide Ultra2 SCSI Adapter 64-Bit/66-MHz Dual Channel Wide Ultra3 SCSI Adapter
DLT1 1280 SuperLoader	Up to 2	External	64-bit/66-MHz Dual Channel Wide Ultra3 SCSI Adapter 64-bit/66-MHz Single Channel Wide Ultra3 SCSI Adapter
ESL9198SL ESL9322S2 ESL9322L1 ESL9326SL ESL9595SL ESL9595S2 ESL9595L1	Please see the ESL Library QuickSpecs below to determine configuration requirements	External	64-bit/66-MHz Dual Channel Wide Ultra3 SCSI Adapter
ESL9198SL:	http://www5.compaq.com/products/quickspecs/10867_div/10867_div.HTML		
ESL9326SL:	http://www5.compaq.com/products/quickspecs/10868_div/10868_div.HTML		
ESL9595SL:	http://www5.compaq.com/products/quickspecs/11332_div/11332_div.HTML		
ESL9322S2:	http://www5.compaq.com/products/quickspecs/11437_div/11437_div.HTML		
ESL9322L1:	http://www5.compaq.com/products/quickspecs/11445_div/11445_div.HTML		
ESL9595S2:	http://www5.compaq.com/products/quickspecs/11436_div/11436_div.HTML		
ESL9595L1:	http://www5.compaq.com/products/quickspecs/11435_div/11435_div.HTML		

Technical Specifications

System Unit Tower	Dimensions (H x W x D)	20 x 12.8 x 26.5 in/50.8 x 32.5 x 67.3 cm		
	Weight	100 lb/45.36 kg		
	No hard drives installed, one power supply			
	Input Requirements	Rated Input Voltage	100 to 127 VAC/200 to 240 VAC	
		Rated Input Frequency	47 to 63 Hz	
		Input Power	690W @ 110 VAC	
		Rated Input Current	7.6A	
	BTU Rating	2400 BTU/hr		
	SCSI Connectors	Two internal HD68 connectors (supporting Wide Ultra2) One external VHDCI connector (supporting Wide Ultra2) One SCSI knockout		
	Power Supply Output Power (per power supply)	Rated Steady-State Power	450W	
		Maximum Peak Power		
	Relative Humidity (non-condensing)	Operating	20% to 80%	
		Non-operating	5% to 90%	
	Maximum Wet Bulb Temperature	101.7° F/38.7° C		
	Acoustic Noise	Idle		
(Fixed Disk Drives Spinning)				
L_{WA} (BELS)		7.1		
L_{pAm} (dBA)		54		
Operating (Random Seeks to Fixed Disks)				
L_{WA} (BELS)		7.2		
L_{pAm} (dBA)	55			
System Unit Rack	Dimensions (H x W x D)	17.5 x 12.1 x 25.4 in/44.4 x 30.7 x 64.5 cm		
	Weight	87.4 lb/39.6 kg		
	No hard drives installed, one power supply			
	Input Requirements	Rated Input Voltage	100 to 127 VAC/200 to 240 VAC	
		Rated Input Frequency	47 to 63 Hz	
		Input Power	690W @ 110 VAC/670W @ 220 VAC	
		Rated Input Current	7.6A	
	BTU Rating	2400 BTU/hr		
	SCSI Connectors	Two internal HD68 connectors (supporting Wide Ultra2) One external VHDCI connector (supporting Wide Ultra2) One SCSI knockout		
	Power Supply Output Power (per power supply)	Rated Steady-State Power	450W	
		Maximum Peak Power		
	Temperature Range	Operating	50° to 95° F/10° to 35° C	
		Non-operating	-20° to 140° F/-29° to 60° C	
	Relative Humidity (non-condensing)	Operating	20% to 80%	
		Non-operating	5% to 90%	
Maximum Wet Bulb Temperature	101.7° F/38.7° C			
Acoustic Noise	Idle			
	(Fixed Disk Drives Spinning)			
	L_{WA} (BELS)	7.1		
	L_{pAm} (dBA)	54		
	Operating (Random Seeks to Fixed Disks)			
	L_{WA} (BELS)	7.2		
L_{pAm} (dBA)	55			

Technical Specifications

1.44-MB Diskette Drive	Diskette Size	3.5 in	
	LED Indicators (front panel)	Green	
	Read/Write Capacity per Diskette (high/low density)	1.44 MB/720 KB	
	Drive Supported	One	
	Drive Height	One-third	
	Drive Rotation	300 rpm	
	Transfer Rate (high/low)	500/250 Kb/s	
	Bytes/Sector	512	
	Sectors/Track (high/low)	18/9	
	Tracks/Side (high/low)	80/80	
	Access Times	Track-to-Track (high/low)	3/6 ms
		Average (high/low)	169/94 ms
		Settling Time	15 ms
Latency Average		100 ms	
Cylinders (high/low)	80/80		
Read/Write Heads	Two		

Hot Plug Wide Ultra3 SCSI Hard Drives	72.8 GB10K 232432-B22	Capacity	72837.2 MB	
		Height	1.0 in/2.54 cm	
		Width	4.0 in/10.16 cm	
		Interface	Wide Ultra3 SCSI	
		Transfer Rate	160 MB/s	
		Seek Time (typical reads, including settling)	Synchronous (Maximum)	
			Single Track	0.7 ms
			Average	5.4 ms
			Full-Stroke	11 ms
		Physical Configuration	Rotational Speed	10,000 rpm
			Bytes/Sector	512
		Operating Temperature	Logical Blocks	142,264,000
			50° to 95° F/10° to 35° C	

	36.4 GB 10K 176496-B22	Capacity	36419.2 MB	
		Height	1 in/2.54 cm	
		Width	4.0 in/10.16 cm	
		Interface	Wide Ultra3 SCSI	
		Transfer Rate	160 MB/s	
		Seek Time (typical reads, including settling)	Synchronous (Maximum)	
			Single Track	0.7 ms
			Average	5.4 ms
			Full-Stroke	11 ms
		Physical Configuration	Rotational Speed	10,000 rpm
			Logical Blocks	71,132,000
		Operating Temperature	50° to 95° F/10° to 35° C	

Technical Specifications

Hot Plug Wide Ultra3 SCSI Hard Drives <i>(continued)</i>	18.2 GB 10K 142673-B22	Capacity	18209.3 MB	
		Height	1 in/2.54 cm	
		Width	4.0 in/10.16 cm	
		Interface	Wide Ultra3 SCSI	
		Transfer Rate	160 MB/s	
		Seek Time		
		Synchronous (Maximum)		
		Single Track	0.7 ms	
		Average	5.4 ms	
		Full-Stroke	11 ms	
		Rotational Speed	10,000 rpm	
		Logical Blocks	35,566,080	
		Physical Configuration		
	Operating Temperature	50° to 95° F/10° to 35° C		
	36.4 GB 15K 232916-B22	Capacity	36419.2 MB	
		Height	1 in/2.54 cm	
		Width	4.0 in/10.16 cm	
		Interface	Wide Ultra3 SCSI	
		Transfer Rate	160 MB/s	
		Seek Time		
	Synchronous (Maximum)			
	Single Track	0.4 ms		
	Average	3.8 ms		
	Full-Stroke	8 ms		
	Rotational Speed	15,000 rpm		
	Bytes/Sector	512		
	Logical Blocks	71,132,000		
	Physical Configuration			
	Operating Temperature	50° to 95° F/10° to 35° C		
	18.2 GB 15K 188122-B22	Capacity	18209.3 MB	
		Height	1 in/2.54 cm	
		Width	4.0 in/10.16 cm	
		Interface	Wide Ultra3 SCSI	
		Transfer Rate	160 MB/s	
		Seek Time		
	Synchronous (Maximum)			
	Single Track	0.4 ms		
	Average	3.8 ms		
	Full-Stroke	8 ms		
	Rotational Speed	15,000 rpm		
	Logical Blocks	35,565,080		
	Physical Configuration			
	Operating Temperature	50° to 95° F/10° to 35° C		

Technical Specifications

40X Max IDE CD-ROM Drive	Disk	Applicable Disk	CD-ROM, CD-XA, CD-DA (Mode 1, Mode 2, Form 1 and 2) Photo CD (Single and Multi-session) Mixed Mode (Audio and Data combined)
		Capacity	CD-R 540 MB (Mode 1, 12 cm) 650 MB (Mode 2, 12 cm)
	Block Size	Mode 1	2,048 bytes
		Mode 2	2,340 bytes, 2,336 bytes
		CD-DA	2,352 bytes
		CD-XA	2,328 bytes
	Interface	IDE (ATAPI)	
	Access Times (typical)	Random	100 ms
		Full-Stroke	150 ms
	Audio Output Level	Line-Out	0.7 VRMS at 47 kOhms
	Data Transfer Rate	Sustained	150 KB/s (1X audio)
		Burst	16.67 Mbytes/sec
	Cache Buffer	128 KB	
	Start-up Time (typical)	< 7 seconds	
	Stop Time	< 4 seconds	
	Laser Parameters	Type	Semiconductor Laser GaAlAs
		Wave Length	780 ± 25 nm
	Operating Conditions	Temperature	41° to 113° F/5° to 45° C
		Humidity	10% to 80%
	Dimensions	(HxWxD, maximum)	1.7 x 5.85 x 8.11 in/4.29 x 150 x 208 cm
	Weight	2.09 lb/0.95 kg	
32X Max IDE CD-ROM Drive	Disk	Applicable Disk	CD-ROM (Mode 1 and 2) CD-DA, CD-XA (Mode 2, Form 1 and 2) Photo CD (Single and Multi-session) Mixed Mode (Audio and Data combined)
		Capacity	550 MB (Mode 1, 12 cm) 640 MB (Mode 2, 12 cm)
		Diameter	4.7 in, 3.15 in/12 cm, 8 cm
		Rotational Speed	4200 rpm maximum
		Center Hole	0.6 in/1.524 cm diameter
		Thickness	0.047 in/0.12 cm
		Track Pitch	1.6 µm
	Block Size	Mode 1	2,048 bytes
		Mode 2	2,340, 2,336, 1,024 bytes
		CD-DA	2,352 bytes
		CD-XA	2,328 bytes
	Interface	IDE (ATAPI)	
	Access Times (typical)	Random	100 ms
		Full-Stroke	150 ms
	Audio Output Level	Line-Out	0.7 VRMS at 47 kOhms
		Headphone	0.6 VRMS at 32 Ohms (maximum volume)
	Data Transfer Rate	Sustained	150 KB/s (1X audio)
		Burst	2100 to 4800 KB/s
	Cache Buffer	128 KB	
	Start-up Time (typical)	< 7 seconds	
Stop Time	< 4 seconds		
Laser Parameters	Type	Semiconductor Laser GaAlAs	
	Output Power	0.14mW	
Operating Conditions	Temperature	41° to 113° F/5° to 45° C	
	Humidity	10% to 80%	
Dimensions	(H x W x D, maximum)	1.88 x 5.85 x 8.11 in/4.29 x 15 x 20.8 cm	
	Weight	2.09 lb/0.95 kg	

Technical Specifications

Integrated 64-bit Dual Channel Wide-Ultra2 SCSI Adapter	Drives Supported	Up to 28 SCSI devices (14 per channel)
	Data Transfer Method	64-bit PCI bus-master
	SCSI Channel Transfer Rate	80 MB/s per channel
	Maximum Transfer Rate per PCI Bus (peak)	133 MB/s per channel
	SCSI Protocols	Wide Ultra2 SCSI Wide-Ultra SCSI-3 Fast-Wide SCSI-2 Fast SCSI-2
	Electrical Protocol	Low Voltage Differential (LVD)
	SCSI Termination	Active Termination
	External SCSI Connectors	Two 80-Pin VHDCI connectors
	Internal SCSI Connectors	Two 68-Pin Wide Ultra SCSI-3 connectors
	Video Controller	Controller Chip
Video DRAM		4 MB Video SDRAM
Data Transfer Method		32-bit PCI
Support Resolution		Supported Color Depths:
640 x 480		16.7M, 64K, 256, 16
800 x 600		16.7M, 64K, 256, 16
1024 x 768		16.7M, 64K, 256, 16
1152 x 864		16.7M, 64K, 256, 16
1280 x 1024		16.7M, 64K, 256, 16
1600 x 1200		64K, 256, 16
Connector	VGA	
Smart Array 5312 Controller	Data Compatible with all Smart Array Controllers	Yes
	Instant Upgrades to other Smart Array Controllers	Yes
	Consistent Software Manageability Tools	Yes
	PCI Bus	64-bit, 133-MHz PCI-X
	PCI Peak Data Transfer Rate	1066 MB/s
	SCSI Protocols Supported	Ultra3, Ultra2
	SCSI Peak Data Transfer Rate	320 MB/s total, 160 MB/s per channel
	Channels	2, 4
	SCSI Ports (external/internal)	2 channel model: 2/2
	Drives Supported (maximum)	28
	Cache	128-MB battery-backed read-write (optional 256 MB upgrade available)
	RAID Support	0, 1, 1+0, 5
	Logical Drives (maximum)	32
	Online Configuration	Yes
	Online Capacity Expansion	Yes
	Logical Drive Capacity Extension	Yes
	Online Stripe Size Migration	Yes
	Online RAID Level Migration	Yes
	Online Spare Support	Yes
	Automatic Data Recovery	Yes
	Drive Roaming	Yes
	Redundant Controllers	No

Technical Specifications

Smart Array 5300 Controller	Data Compatible with all Smart Array Controllers	Yes
	Instant Upgrades to other Smart Array Controllers	Yes
	Consistent Software Manageability Tools	Yes
	PCI Bus	64-bit, 66 MHz
	PCI Peak Data Transfer Rate	533 MB/s
	SCSI Protocols Supported	Ultra3, Ultra2, Wide-Ultra
	SCSI Peak Data Transfer Rate	640 MB/s total, 160 MB/s per channel
	Channels	2, 4
	SCSI Ports (external/internal)	2 channel model: 2/2 4 channel model: 4/2
	Drives Supported (maximum)	56
	Note: Drives Supported (maximum) is based on use of StorageWorks Enclosure 4200 family. (14 hard disk drive enclosure)	
	Cache	256, 128, 64 or 32-MB battery-backed read-write
	RAID Support	0, 1, 1+0, 5, Advanced Data Guarding
	Note: For customers who have purchased the SA-5304/128 a quick firmware upgrades to enable the technology will be available from http://www.compaq.com/smarrays .	
	Note: RAID Support: Advanced Data Guarding (RAID ADG) is available with 128-MB versions of the SA-5300 only.	
	Logical Drives (maximum)	32
	Online Configuration	Yes
	Online Capacity Expansion	Yes
	Logical Drive Capacity Extension	Yes
	Online Stripe Size Migration	Yes
	Online RAID Level Migration	Yes
	Online Spare Support	Yes
	Automatic Data Recovery	Yes
Drive Roaming	Yes	
Redundant Controllers	No	
Smart Array 532 Controller	Data Compatible with all Smart Array Controllers	Yes
	Instant Upgrades to other Smart Array Controllers	Yes
	Consistent Software Manageability Tools	Yes
	PCI Bus	64-bit, 66 MHz
	PCI Peak Data Transfer Rate	533 MB/s
	SCSI Protocols Supported	Ultra3, Ultra2
	SCSI Peak Data Transfer Rate	160 MB/s
	Channels	2
	SCSI Ports (external/internal)	1/1
	Drives Supported (maximum)	14
	Note: Drives Supported (maximum) is based on use of StorageWorks Enclosure 4300 family (14 hard disk drive enclosure).	
	Cache	32-MB cache engine
	RAID Support	0, 1, 1+0, 5
	Logical Drives (maximum)	32
	Online Configuration	Yes
	Online Capacity Expansion	Yes
	Logical Drive Capacity Extension	Yes
	Online Stripe Size Migration	Yes
	Online RAID Level Migration	Yes
	Online Spare Support	Yes
	Automatic Data Recovery	Yes
	Drive Roaming	Yes
	Redundant Controllers	No

Technical Specifications

64-bit/66-MHz Single Channel Wide Ultra3 SCSI Adapter	Drives Supported	Up to 14 SCSI devices
	Storage Capacity	254.8 GB
	Data Transfer Method	64-bit/66-MHz PCI bus-master
	Maximum SCSI Channel Transfer Rate	160 MB/s per channel
	Maximum Transfer Rate per PCI Bus (peak)	532 MB/s per channel
	SCSI Protocols	Wide Ultra3 SCSI Wide Ultra2 SCSI Wide-Ultra SCSI-3 Fast-Wide SCSI-2 Fast SCSI-2
	Electrical Protocol	Low Voltage Differential (LVD)
	SCSI Termination	Active Termination
	External SCSI Connectors	One 68-Pin Wide Ultra SCSI-3 connector
	Internal SCSI Connectors	Two 68-Pin Wide Ultra SCSI-3 connectors (one LVD and one SE) One 50-Pin Narrow Ultra connector

64-bit/66-MHz Dual Channel Wide Ultra3 SCSI Adapter	Drives Supported	Up to 28 SCSI devices (14 per channel)
	Storage Capacity	509.6 GB
	Data Transfer Method	64-bit/66-MHz PCI bus-master
	Maximum SCSI Channel Transfer Rate	160 MB/s per channel
	Maximum Transfer Rate per PCI Bus (peak)	532 MB/s per channel
	SCSI Protocols	Wide Ultra3 SCSI Wide Ultra2 SCSI Wide-Ultra SCSI-3 Fast-Wide SCSI-2 Fast SCSI-2
	Electrical Protocol	Low Voltage Differential (LVD)
	SCSI Termination	Active Termination
	External SCSI Connectors	Two 68-Pin VHDCI connectors
	Internal SCSI Connectors	Two 68-Pin Wide Ultra SCSI-3 connectors One 50-Pin Narrow Ultra connector

Compaq Rack 10842 (42U)(optional)	Dimensions	Total Cabinet	Shipping	Color
	Height	78.7 in/199.9 cm	85in/215.9 cm	
	Depth	39.691 in/100.82 cm	48 in/121.92 cm	Graphite Metallic – doors
	Width	31.5 in/80.01cm	43.5 in/110.49 cm	Carbon – frame
	Weight	295 lb/133.8 kg	335lb/151.95 kg	

Compaq Rack 10647 (47U)(optional)	Dimensions	Total Cabinet	Shipping	Color
	Height	89.96 in/228.5 cm	95.47 in/242.49 cm	
	Depth	39.691 in/100.82 cm	48 in/121.92 cm	Graphite Metallic – doors
	Width	24 in/60.96 cm	32 in/81.28 cm	Carbon – frame
	Weight	245 lb/111 kg	284 lb/129 kg	

Compaq Rack 10642 (42U)(optional)	Dimensions	Total Cabinet	Shipping	Color
	Height	78.7 in/199.90 cm	86.22 in/219 cm	
	Depth	39.691 in/100.82 cm	48 in/121.92 cm	Graphite Metallic – doors
	Width	24 in/60.96 cm	32 in/81.28 cm	Carbon – frame
	Weight	253 lb/114.84 kg	325 lb/147.52 kg	

Compaq Rack 10636 (36U)(optional)	Dimensions	Total Cabinet	Shipping	Color
	Height	68.6 in/174.24 cm	75.25 in/191.14 cm	
	Depth	39.691 in/100.82 cm	48 in/121.92 cm	Graphite Metallic – doors
	Width	24 in/60.96 cm	32 in/81.28 cm	Carbon – frame
	Weight	220 lb/100 kg	272 lb/123 kg	

Technical Specifications

Compaq Rack 10622 (22U)(optional)	Dimensions	Total Cabinet	Shipping	Color
	Height	43 in/109.22 cm	52.25 in/132.72 cm	
	Depth	39.691 in/100.82 cm	48 in/121.92 cm	Graphite Metallic – doors
	Width	24 in/60.96 cm	32 in/81.28 cm	Carbon – frame
	Weight	176 lb/79.89 kg	225 lb/102.13 kg	

Compaq Rack 9842 (42U)(optional)	Dimensions	Total Cabinet	Shipping	Color
	Height	78.7 in/199.9 cm	86.22 in/219 cm	
	Depth	35.8 in/90.932 cm	48 in/121.92 cm	Opal
	Width	31.5 in/80.01 cm	38.8 in/98.55 cm	
	Weight	374 lb/170 kg	440 lb/200 kg	

Compaq Rack 9142 (42U)(optional)	Dimensions	Total Cabinet	Shipping	Color
	Height	78.7 in/199.9 cm	83.38 in/211.79 cm	
	Depth	35.8 in/90.932 cm	48 in/121.92 cm	Opal
	Width	23.7 in/60.2 cm	32 in/81.28 cm	
	Weight	253 lb/114.84 kg	325 lb/147.52 kg	

Compaq Rack 9136 (36U)(optional)	Dimensions	Total Cabinet	Shipping	Color
	Height	68.6 in/174.24 cm	75.25 in/191.14 cm	
	Depth	35.8 in/90.932 cm	48 in/121.92 cm	Opal
	Width	23.7 in/60.2 cm	32 in/81.28 cm	
	Weight	165 lb/75 kg	234 lb/106 kg	

Compaq Rack 9122 (22U)(optional)	Dimensions	Total Cabinet	Shipping	Color
	Height	43 in/109.22 cm	52.25 in/132.72 cm	
	Depth	35.8 in/90.932 cm	48 in/121.92 cm	Opal
	Width	24 in/60.96 cm	32 in/81.28 cm	
	Weight	176 lb/79.89 kg	225 lb/102.13 kg	

© 2002 Compaq Information Technologies Group, LP.

Compaq, the Compaq logo, ActiveUpdate, CarePaq, Insight Manager, ProLiant, ROMPaq, SANworks, SmartStart, StorageWorks and Survey Utility are trademarks of Compaq Information Technologies Group, L.P. in the U.S. and/or other countries. Microsoft, Microsoft Logo, Windows, Windows 2000 and Windows NT are registered trademarks or trademarks of Microsoft Corporation in the U.S. and/or other countries. Intel, Pentium and Xeon are registered trademarks or trademarks of Intel Corporation in the U.S. and/or other countries. ServerWorks is a trademark of Broadcom Corporation in the U.S. Novell and NetWare are registered trademarks or trademarks of Novell, Inc in the U.S. and/or other countries. IBM is a registered trademark or trademark of IBM Corporation in the U.S. and/or other countries. S.U.S.E. and its logo are registered trademarks or trademarks of SuSE AG in the U.S. and/or other countries. Linux is a registered trademark or trademark of Linus Torvalds in the U.S. and/or other countries. Sun, Solaris, Ultra2 and Ultra3 are registered trademarks or trademarks of Sun Microsystems, Inc., in the U.S. and other countries. Caldera, SCO and OpenServer are trademarks or registered trademarks of Caldera International, Inc., in the U.S. and other countries. RedHat is a registered trademark or trademark of RedHat Inc., in the U.S. and other countries. UnixWare is a registered trademark or trademark of The Open Group in the United States and other countries. All other product names mentioned herein may be trademarks of their respective companies.

Compaq shall not be liable for technical or editorial errors or omissions contained herein. The information is provided "as is" without warranty of any kind and is subject to change without notice. The warranties for Compaq products are set forth in the express limited warranty statements accompanying such products. Nothing herein should be construed as constituting an additional warranty.