

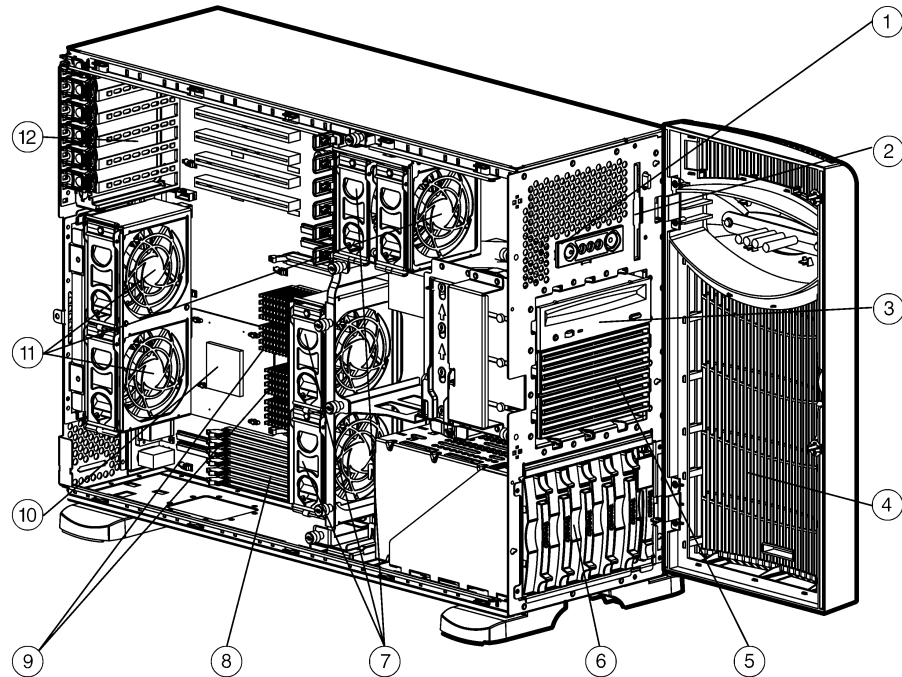
Overview

What's New

- New Smart Array 5i Plus Controller & Battery-Backed Write Cache (BBWC) Enabler bundle option kit

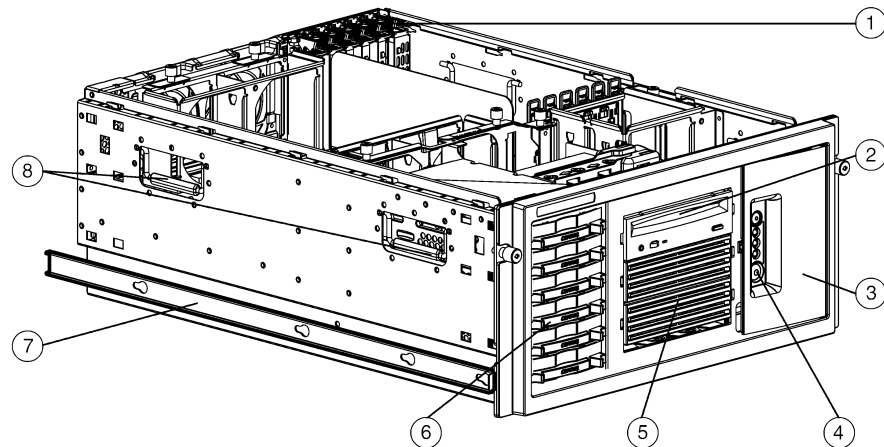
At A Glance

- First 2-way server with advanced memory protection and high availability features for demanding remote site and data center environments
- Intel® Pentium® III FC-PGA2 Processors - 1.40 GHz with 512-KB second level ECC cache (dual processing capable)
- Integrated Dual Channel Wide Ultra3 SCSI Adapter
- 2X1 Interleaved memory doubles the memory bandwidth; expandable to 6GB
- Compaq NC3163 Fast Ethernet NIC Embedded 10/100 WOL (Wake On LAN)
- ServerWorks HE SuperLite Chipset featuring a Triple Peer PCI bus Architecture with 133-MHz Front Side Bus and 64-Bit/66-Mhz slots for ultimate data throughput
- Versatile availability features deliver the right amount protection to end users – PCI hot plug, hot plug redundant power supplies, hot plug redundant fans, Online Spare Memory
- 6x1" Hot Plug Wide Ultra2/Ultra3 Drive Cage standard
- First in class to offer multiple racking solutions – Compaq Standard, Telco, and Third Party
- Support for Hot Plug 2-Bay SCSI Drive Cage; increases internal hot pluggable storage capacity to an unprecedented 1.174 TB of internal storage and allows separation of boot and OS hard drives or hot plug tape to run on a separate channel from data drives
- *Insight Manager™ 7 SmartStart™*, Automatic Server Recovery (ASR), ROM Based Setup Utility (RBSU)
- Protected by HP Services, including a three-year, Next Business Day on-site, limited, Global warranty and extended Pre-Failure Warranty that covers processors, memory and disk drives — Certain restrictions and exclusions apply. Consult the HP Customer Support Center at 1-800-345-1518 for details.



Tower

- | | |
|---|--|
| 1. Front Panel LED's (show server status) | 8. Memory Slots |
| 2. 1.44 MB (3.5'') Floppy Drive | 9. Pentium III FC-PGA Processors (two shown, one ships standard) |
| 3. 40x Max CD-ROM Drive | 10. Smart Array 5i Controller (optional) |
| 4. Front Bezel | 11. Hot Plug Redundant Fans (Optional) |
| 5. Removable Media Bays | 12. 6 PCI Slots (2 64-Bit/66MHz Hot Plug, 4 64-Bit/33MHz Non Hot Plug) |
| 6. Six 1'' Hot Plug Drive Bays | |
| 7. Hot Plug Fans Standard | |



Rack

- | | |
|---|---|
| 1. 6 PCI Slots (2 64-Bit/66MHz Hot Plug, 4 64-Bit/33MHz Non Hot Plug) | 4. Front Panel LED's (show server status) |
| 2. 40x Max CD-ROM Drive | 5. Removable Media Bays |
| 3. 1.44MB Floppy Drive (not shown on graphic) | 6. Six 1'' Hot Plug Drive Bays |
| | 7. Rails |
| | 8. Handles |

Standard Features

Processor	Intel Pentium III FC-PGA2 1.40 GHz Processor	
Cache Memory	512-KB second level ECC cache (full speed)	
Upgradability	Upgradable to dual processing	
Chipset	ServerWorks HE SuperLite Chipset featuring a Triple Peer PCI bus Architecture with 133-MHz Front Side Bus NOTE: For more information regarding ServerWorks, please see the following URL: http://www.serverworks.com/products/overview.html	
Memory	Standard	256 MB (PC133-MHz Registered ECC SDRAM memory) (2 x 1 Interleaved Memory)
	Maximum	6 GB
Network Controller	Compaq NC3163 Fast Ethernet NIC (embedded) 10/100 WOL (Wake On LAN)	
Expansion Slots	I/O (6 Total, 6 available)	PCI Voltage:
	64-bit/66-MHz, Hot Plug PCI 2	3.3 Volt or universal cards
	64-bit/33-MHz, Non Hot Plug 4 PCI	5 Volt or universal cards
Storage Controller	Integrated Dual Channel Wide Ultra3 SCSI Adapter (upgradable with optional Compaq Smart Array 5i Controller Option Kit)	
Storage	Diskette Drives	1.44 MB
	CD-ROM	40x IDE CD-ROM Drive
	Hard Drives	None
	Maximum Internal Storage	1.174 TB ((6 x 146.8 GB 1" with standard internal hot plug drive cage + (2 x 146.8 GB 1") with optional ML3xx Internal Two Bay Hot Plug SCSI Drive Cage) 953.6 GB (6 x 146.8 GB 1" internal hot plug drive cage + 2 x 36.4 internal non-hot plug drives in the removable media bays)
Interfaces	Parallel	1
	Serial	2
	Pointing Device (Mouse)	1
	Graphics	1
	Keyboard	1
	External SCSI	1
	Network RJ-45	1
	USB Ports	2
	NOTE: Please see the following URL for additional information regarding USB support: http://www.compaq.com/products/servers/platforms/usb-support.html .	
Graphics	Integrated ATI Rage XL Video Controller with 8MB SDRAM Video Memory	
Form Factor	Tower or Rack (5U)	
Product Demo	To view the Product Demo, please see the following URL, then click on "PRODUCT DEMO": http://www5.compaq.com/products/servers/ProLiantml370/index.html	

Standard Features

ProLiant™ Essentials Foundation Pack Software	Insight Manager 7	Insight Manager 7 helps maximize system uptime and performance and reduces the cost of maintaining the IT infrastructure by providing proactive notification of problems before those problems result in costly downtime and reduced productivity. Insight Manager 7 is easy to set up and provides rapid access to detailed fault and performance information gathered by the Management Agents. One-click-access to the Integrated Lights-Out or Remote Insight Lights Out Edition board allows systems administrators to take full graphical control of ProLiant servers in remote locations or lights-out data centers. Finally, Insight Manager 7 in concert with the Version Control Agents and Version Control Repository Manager enables systems administrators to version manage and update system software across groups of ProLiant servers.
	SmartStart	SmartStart is a tool that simplifies server setup, providing a rapid way to deploy reliable and consistent server configurations. For more information, please visit the SmartStart website at http://www.hp.com/servers/smartstart . SmartStart version supported (minimum): SmartStart 5.10
	Management Agents	The Management Agents form the foundation for HP's Intelligent Manageability strategy. They provide direct, browser-based access to in-depth instrumentation built into HP servers, workstations, desktops, and portables, and send alerts to Insight Manager 7 and other enterprise management applications in case of subsystem or environmental failures. For additional information about the Management Agents and other management products from HP, please visit the management website at http://www.hp.com/servers/manage .
	<i>ActiveUpdate™</i>	ActiveUpdate is a web-based application that keeps IT managers directly connected to HP for proactive notification and delivery of the latest software updates.
	<i>ROMPaq™</i> , support software, and configuration utilities	The latest software, drivers, and firmware fully optimized and tested for your ProLiant server and options.
	Compaq Survey Utility and diagnostics utilities	The most advanced configuration analysis, reporting and troubleshooting utilities used by HP and at your fingertips.
	<i>Optional ProLiant Essentials Value Packs</i>	Optional software offerings that selectively extend the functionality of an Adaptive Infrastructure to address specific business problems and needs: <ul style="list-style-type: none"> • Rapid Deployment Pack – an automated solution for multi-server deployment and provisioning, enabling companies to quickly and easily adapt to changing business demands. • Workload Management Pack – provides easier management of complex environments, improving overall server utilization and enabling Windows® 2000 customers for the first time to confidently deploy multiple applications on a single multiprocessor ProLiant Server. • Recovery Server Option Pack – entry-level high availability software that will provide reliable protection and increased uptime against server hardware and operating system failures. • Performance Management Pack – a performance management solution that identifies and explains hardware performance bottlenecks on ProLiant servers and attached options enabling users to better utilize their valuable resources.
	NOTE: Flexible and volume quantity license kits are available for ProLiant Essentials Value Packs. Refer to http://www.hp.com/servers/proliantessentials or the various ProLiant Essentials Value Pack product QuickSpecs for more information.	
	NOTE: For more information regarding ProLiant Essentials Software, please see the following URL: http://www.hp.com/servers/proliantessentials .	
	NOTE: These Web sites are available in English only.	

Industry Standard Compliance	ACPI 1.0b Compliant PCI 2.2 Compliant WOL Support Microsoft® Logo certifications PXE Support
-------------------------------------	--

Standard Features

Manageability	Insight Manager 7 Management Agent Redundant ROM Remote Flash ROM Remote Lights-Out Edition (optional) Automatic Server Recovery (ASR) ROM-Based Setup Utility (RBSU) Integrated Management Log Drive Parameter Tracking (with Smart Array controller) Dynamic Sector Repairing (with Smart Array controller) Hot Spare Boot (NOTE: Upon the event of a failed processor or VRM in a multi-processing environment, the system will automatically reboot and use the remaining good processor(s).) Pre-Failure Warranty (covers processors, hard drives and memory)
Security	Power-on password Keyboard password Diskette drive control Diskette boot control QuickLock, Network Server Mode Parallel and serial interface control Administrator's password Disk configuration lock
Server Power Cords	One Lowline power cord ships standard. NOTE: Purchase of the optional Redundant Power Supply (PN 225075-xx1) will provide a second power cord if installed.
Power Supply	500 Watt-CE Mark Compliant Hot Plug Power Supply Optional Redundant Capability
System Fans	3 fans ship standard. 6 total supported internally for full redundancy. NOTE: The additional 3 fans are available via Option Kit (PN 225073-xx1).
Required Cabling	For required cabling information, refer to the Compaq Web site at http://www.compaq.com/products/servers/ProLiantML370 NOTE: This Web site is available in English only.
OS Support	Microsoft Windows NT® Server Microsoft Windows 2000 Microsoft Small Business Server 2000 Novell® NetWare® Novell NetWare Small Business Suite SCO® OpenServer® SCO® UnixWare® IBM OS/2 Warp Family LINUX® (RedHat®, SuSE®, Caldera® Server) Sun™ Solaris™ Intel Platform Edition* *NOTE: Not all storage controllers are supported under Solaris 7 and 8. Please refer to the Supported Devices list on the Solaris Driver Update download page. For Solaris 7 please see the following: http://www.compaq.com/support/files/server/us/locOsCat/36.html For Solaris 8 please see the following: http://www.compaq.com/support/files/server/us/locOsCat/38.html NOTE: For a more complete and up-to-date listing of supported OSs and versions, please visit our OS Support Matrix at: ftp://ftp.compaq.com/pub/products/servers/os-support-matrix-310.pdf NOTE: For an up-to-date listing of the latest drivers available for the Compaq ProLiant ML370, please see: http://www.compaq.com/support/files/server/us/index.html .

Standard Features

Rack Airflow Requirements

- Rack 9000 and 10000 series Cabinets
The increasing power of new high-performance processor technology requires increased cooling efficiency for rack-mounted servers. The Compaq 9000 Series Rack and the new 10000 Series Racks provides enhanced airflow for maximum cooling, allowing these racks to be fully loaded with servers using the latest processors.
- Rack 7000 series Cabinets
When installing a server with processors running at speeds of 550 MHz or greater in Compaq Rack 7000 series racks with glass doors (165753-001 (42U), and 163747-001 (22U)), the new processor technology requires the installation of Compaq's new High Airflow Rack Door Inserts (327281-B21 (42U), 327281-B22 (42U 6 pack), or 157847-B21 (22U)) to promote enhanced airflow for maximum cooling.

CAUTION: If a third-party rack is used, observe the following additional requirements to ensure adequate airflow and to prevent damage to the equipment:

- **Front and rear doors:** If your 42U server rack includes closing front and rear doors, you must allow 5,350 sq cm (830 square inches) of hole evenly distributed from top to bottom to permit adequate airflow (equivalent to the required 64 percent open area for ventilation).
- **Side:** The clearance between the installed rack component and the side panels of the rack must be a minimum of 7 cm (2.75 inches)

CAUTION: Always use blanking panels to fill all remaining empty front panel U-spaces in the rack. This arrangement ensures proper airflow. Using a rack without blanking panels results in improper cooling that can lead to thermal damage.

NOTE: For additional information, refer to the Setup and Installation Guide or the Documentation CD provided with the server, or to the server documentation located in the Support section at the following URL:
<http://www5.compaq.com/products/servers/ProLiantml370/index.html>

Service and Support

HP Services provides a three-year, limited warranty, including Pre-Failure Warranty (coverage of hard drives, memory and processors) fully supported by a worldwide network of resellers and service providers. HP technical assistance is available 7x24, toll free in the United States and Canada. Telephone support services may be covered under warranty or available for an additional fee.

NOTE: Limited Warranty includes 3 year Parts, 3 year Labor, 3-year on-site support.

A full range of *CarePaq*™ packaged hardware and software services:

- Installation and start up
- Extended coverage hours and enhanced response times
- System management and performance services
- Availability and recovery services

NOTE: For more information, customer/resellers can contact <http://www.compaq.com/services>.

Please see the following URL regarding Warranty Information For Your HP Products:
http://www.compaq.com/support/warranty_upgrades/web_statements/176738.html

For additional information regarding Worldwide Limited Warranty and Technical Support, please see the following URL: <ftp://ftp.compaq.com/pub/supportinformation/ejourney/176738.pdf>

NOTE: Certain restrictions and exclusions apply. Consult the Customer Support Center at 1-800-345-1518 for details.

Models

ML370T02P1400-512KB, 256MB <i>235439-xx1</i>	Processor	Intel Pentium III FC-PGA 2 1.40 GHz Processor standard (up to 2 supported)
	Cache Memory	512-KB second-level ECC cache
	Memory	256 MB (Standard) to 6 GB (Maximum) PC133-MHz Registered ECC SDRAM (2 x 1 Interleaved Memory)
	Network Controller	Compaq NC3163 Fast Ethernet NIC (embedded) 10/100 WOL
	Storage Controller	Integrated Dual Channel Wide Ultra3 SCSI Adapter
	Hard Drive	None ship standard
	Internal Storage	1.174 TB maximum hot plug (with optional hard drives & drive cage) 953.6 GB maximum hot plug & non-hot plug (with optional hard drives)
	Optical Drive	40x IDE CD-ROM Drive
	Form Factor	Tower (5U)
ML370R02P1400-512KB, 256MB <i>235440-xx1</i>	Processor	Intel Pentium III FC-PGA 2 1.40 GHz Processor standard (up to 2 supported)
	Cache Memory	512-KB second-level ECC cache
	Memory	256 MB (Standard) to 6 GB (Maximum) PC133-MHz Registered ECC SDRAM (2 x 1 Interleaved Memory)
	Network Controller	Compaq NC3163 Fast Ethernet NIC (embedded) 10/100 WOL
	Storage Controller	Integrated Dual Channel Wide Ultra3 SCSI Adapter
	Hard Drive	None ship standard
	Internal Storage	1.174 TB maximum hot plug (with optional hard drives & drive cage) 953.6 GB maximum hot plug & non-hot plug (with optional hard drives)
	Optical Drive	40x IDE CD-ROM Drive
	Form Factor	Rack (5U)
Country Code Key	XX=00	U.S.
	XX=01	Australia
	XX=42	EURO
	XX=03	UK
	XX=04	German (not available for Rack Models – please use EURO part number)
	XX=05	France (not available for Rack Models – please use EURO part number)
	XX=37	APD
	XX=AA	PRC

Options

ProLiant ML370 G2 Unique Options	Smart Array 5i Plus Controller & Battery-Backed Write Cache (BBWC) Enabler Bundle NOTE: This option kit (PN 263697-xx1) supports the ProLiant ML370 G2 only.	263697-B21
	Smart Array 5i Plus Controller & Battery-Backed Write Cache (BBWC) Enabler Bundle (Japan) NOTE: This option kit (PN 263697-xx1) supports the ProLiant ML370 G2 only.	263697-291
	Tower to Rack Conversion Kit	225074-B22
	ML370 Round Hole Rail Kit	231122-B21
	ML370 Telco Rail Kit	231121-B21
	Compaq Hot Plug Redundant Power Supply Option Kit (U.S.)	225075-001
	Compaq Hot Plug Redundant Power Supply Option Kit (Australia)	225075-011
	Compaq Hot Plug Redundant Power Supply Option Kit (EURO)	225075-021
	Compaq Hot Plug Redundant Power Supply Option Kit (UK)	225075-031
	Compaq Hot Plug Redundant Power Supply Option Kit (Japan)	225075-291
	Compaq Hot Plug Redundant Fan Option Kit	225073-B21
ProLiant Essentials Value Pack Software	Rapid Deployment Pack, 1 User, V1.x NOTE: This license allows 1 server to be managed and deployed via the Deployment Server.	267196-B21
	Rapid Deployment Pack, 1 User, V1.x (Japan) NOTE: This license allows 1 server to be managed and deployed via the Deployment Server.	267196-291
	Rapid Deployment Pack, 10 Users, V1.x NOTE: This license allows 10 servers to be managed and deployed via the Deployment Server.	269817-B21
	Rapid Deployment Pack, 10 Users, V1.x (Japan) NOTE: This license allows 10 servers to be managed and deployed via the Deployment Server.	269817-291
	ProLiant Essentials Workload Management Pack (Featuring Resource Partitioning Manager version 2.0)	303284-B21
	ProLiant Essentials Recovery Server Option Pack	280189-B21
	ProLiant Essentials Performance Management Pack v2.0, Single License	306696-B21
	NOTE: Flexible and volume quantity license kits are available for ProLiant Essentials Value Packs. Refer to http://www.hp.com/servers/proliantessentials or the various ProLiant Essentials Value Pack product QuickSpecs for more information.	
	NOTE: For more information regarding ProLiant Essentials Software, please see the following URL: http://www.hp.com/servers/proliantessentials .	
	NOTE: These Web sites are available in English only.	
Software	HP digital asset protection	302316-001
NetServer to ProLiant integrations services	HP NetServer to ProLiant integration and assessment service NOTE: HP identifies current levels of NetServer support, services, and management. This service helps maximize customer's ability to add ProLiant platforms into their current environment	304164-002
	HP TopTools to Insight Manager 7 installation and startup service NOTE: Provides on-site review, installation and configuration services for Insight Manager 7. HP will also re-create, as closely as possible, the views and reports from the customer's current TopTools configuration. This service assures a smooth transition to the ProLiant Essentials software.	304163-002
	HP NetServer to ProLiant Essentials Rapid Deployment Pack installation and startup service NOTE: Install and configure Rapid Deployment Pack in a test environment, then deploy a server image to a maximum of 250 systems in the production environment. This service helps to assure successful system deployment.	304162-002

Options

Processor	Pentium III P1400-512K Processor Option Kit	231118-B21	
	Pentium III P1266-512K Processor Option Kit	231117-B21	
	Pentium III P1133-512K Processor Option Kit	238888-B21	
Memory	256-MB PC133-MHz Registered ECC SDRAM Memory Option Kit (2 x 128 MB)	201692-B21	
	512-MB PC133-MHz Registered ECC SDRAM Memory Option Kit (2 x 256 MB)	201693-B21	
	1024-MB PC133-MHz Registered ECC SDRAM Memory Option Kit (2 x 512 MB)	201694-B21	
	2048-MB PC133-MHz Registered ECC SDRAM Memory Option Kit (2 x 1024 MB)	201695-B21	
Internal Storage	ML3xx Two Bay Hot Plug SCSI Drive Cage	244059-B21	
	NOTE: The drive cage option kit (PN 244059-B21) has one 1" drive bay and one 1.6" drive bay, installed in two available removable media bays.		
Optical Drives	16X DVD-ROM Drive Option Kit (Carbon)	217053-B21	
Hard Drives	Ultra320 SCSI – Universal Hot Plug		
	36.4GB 10,000 rpm, U320 Universal Hard Drive, 1"	286713-B22	
	72.8GB 10,000 rpm, U320 Universal Hard Drive, 1"	286714-B22	
	146.8GB 10,000 rpm, U320 Universal Hard Drive, 1"	286716-B22	
	18.2GB 15,000 rpm, U320 Universal Hard Drive, 1"	286775-B22	
	36.4GB 15,000 rpm, U320 Universal Hard Drive, 1"	286776-B22	
	72.8GB 15,000 rpm, U320 Universal Hard Drive, 1"	286778-B22	
	Ultra320 SCSI – Non-Hot Plug		
	36.4GB 10,000 rpm, U320 Non-Hot Plug Hard Drive, 1"	271832-B21	
	NOTE: All U320 Universal Hard Drives are backward compatible to U2 or U3 speeds. U320 drives require an optional U320 Smart Array Controller or U320 SCSI HBA to support U320 transfer rates.		
	NOTE: Please see the Hard Drive QuickSpecs for Technical Specifications such as capacity, height, width, interface, transfer rate, seek time, physical configuration, and operating temperature: U320 Hard Drive QS: http://www5.compaq.com/products/quickspecs/11531_div/11531_div.HTML (Division/World Wide) http://www5.compaq.com/products/quickspecs/11531_na/11531_na.HTML (North America)		
	Storage Controllers	Smart Array 5I Plus Controller & Battery Backed Write Cache (BBWC) Enabler Bundle	263697-B21
	NOTE: This option kit (PN 263697-xx1) supports the ProLiant ML370 G2 only.		
Smart Array 5I Plus Controller & Battery Backed Write Cache (BBWC) Enabler Bundle (Japan)	263697-291		
NOTE: This option kit (PN 263697-xx1) supports the ProLiant ML370 G2 only.			
Smart Array 532 Controller	225338-B21		
Smart Array 532 Controller (Japan)	225338-291		
Smart Array 5302/128 Controller	283552-B21		
Smart Array 5302/128 Controller (Japan)	283552-291		
Smart Array 5304/256 Controller	283551-B21		
Smart Array 5304/256 Controller (Japan)	283551-291		
Smart Array 5312 Controller	238633-B21		
Smart Array 5312 Controller (Japan)	238633-291		
Ultra3 Channel Expansion Module for Smart Array 5300 Controller	153507-B21		
128-MB Cache Module for Smart Array 5302 Controller	153506-B21		
RAID ADG Upgrade for Smart Array 5302	288601-B21		
256-MB Battery-Backed Cache Module	254786-B21		
NOTE: This 256-MB Battery-Backed Cache Module supports the Smart Array 5300 series controllers, MSA 1000 and the Smart Array Cluster Storage			

Options

Storage Controllers <i>(continued)</i>	64-bit/66-MHz Single Channel Wide Ultra3 SCSI Adapter	154457-B21
	64-bit/66-MHz Dual Channel Wide Ultra3 SCSI Adapter	129803-B21
	64-Bit/66-MHz Dual Channel Wide Ultra3 SCSI Adapter, Alternate OS	284688-B21
	NOTE: Please see the following Controller or SCSI Adapter QuickSpecs for Technical Specifications such as PCI Bus, PCI Peak Data Transfer Rate, SCSI Protocols supported, SCSI Peak Data Transfer Rate, Channels, SCSI Ports, Drives supported, Cache, RAID support, and additional information:	
	http://www5.compaq.com/products/quickspecs/11063_div/11063_div.HTML (Smart Array 5i Plus) http://www5.compaq.com/products/quickspecs/10851_div/10851_div.HTML (Smart Array 532) http://www5.compaq.com/products/quickspecs/10640_div/10640_div.HTML (Smart Array 5300 Series) http://www5.compaq.com/products/quickspecs/11328_div/11328_div.HTML (Smart Array 5312) http://www5.compaq.com/products/quickspecs/10429_div/10429_div.HTML (SCSI Adapter)	
Communications	Compaq NC3123 Fast Ethernet NIC PCI 10/100 WOL	174830-B21
	Compaq NC3134 Fast Ethernet NIC 64 PCI Dual Port 10/100	138603-B21
	Compaq NC3135 Fast Ethernet Module Dual 10/100 Upgrade Module for NC3134 and NC3131	138604-B21
	Compaq NC6132 Gigabit Module 1000 SX Upgrade Module for NC3134 and NC3131	338456-B23
	Compaq NC6133 Gigabit Module 1000LX Upgrade Module for NC3134 and NC3131	338456-B24
	Compaq NC3133 Fast Ethernet Module 100FX Upgrade Module for NC3134 and NC3131	338456-B25
	Compaq NC7132 10/100/1000-T Upgrade Module for NC3134 and NC3131	153543-B21
	Compaq NC6136 Gigabit Server Adapter, 64-bit/66-MHz, PCI, 1000 SX	203539-B21
	Compaq NC7131 Gigabit Server Adapter, 64-bit/66-MHz, PCI, 10/100/1000-T	158575-B21
	NOTE: Any NC31XX, NC61XX or NC71XX NIC can be used for redundancy with the embedded NC3163 Network Controller	
Redundant Options	Compaq Hot Plug Redundant Power Supply Option Kit (U.S.)	225075-001
	Compaq Hot Plug Redundant Power Supply Option Kit (Australia)	225075-011
	Compaq Hot Plug Redundant Power Supply Option Kit (EURO)	225075-021
	Compaq Hot Plug Redundant Power Supply Option Kit (UK)	225075-031
	Compaq Hot Plug Redundant Power Supply Option Kit (Japan)	225075-291
	Compaq Redundant Hot Plug Fan Option Kit	225073-B21
Management Options	Remote Insight Lights-Out Edition II (NA, LA)	227251-001
	Remote Insight Lights-Out Edition II (EMEA)	227251-021
	Remote Insight Lights-Out Edition II (ROW)	227251-371
	Compaq Remote Insight Lights-Out Edition (NA, LA)	157866-001
	Compaq Remote Insight Lights-Out Edition (EURO)	157866-021
	Compaq Remote Insight Lights-Out Edition (APD, Japan)	157866-371
Security	HP/Atalla AXL600L SSL Accelerator Card for ProLiant Servers	524545-B21
	Compaq AXL300 Accelerator PCI Card for ProLiant Servers	227933-B21
Monitors	<i>Essential Series</i>	
	Compaq S9500 CRT Monitor (19-inch, Carbon/Silver)	261615-XXX
	Compaq S7500 CRT Monitor (17-inch, Carbon/Silver)	261606-XXX
	Compaq S5500 CRT Monitor (15-inch Carbon/Silver)	261602-XXX
	Compaq TFT1501 Flat Panel Monitor (15-inch, Carbon/Silver, North America)	301042-003
	Compaq TFT1501 Flat Panel Monitor (15-inch, Carbon/Silver, Outside North America)	P4825D-XXX
	Compaq TFT1701 Flat Panel Monitor (17-inch, Carbon/Silver, North America)	292847-003
	Compaq TFT1701 Flat Panel Monitor (17-inch, Carbon/Silver, Outside North America)	P9019A-XXX

Options

Monitors <i>(continued)</i>		
<i>Advantage Series</i>		
Compaq V7550 CRT Color Monitor (17-inch, Carbon/Silver)		261611-XXX
Compaq TFT1720 Flat Panel Monitor (17-inch, Carbon/Silver, North America)		295926-003
Compaq TFT1720 Flat Panel Monitor (17-inch, Carbon/Silver, outside North America)		D5064D-XXX
Compaq FT1720M Flat Panel Monitor (17-inch, (Carbon/Silver, includes speaker, USB port, headphone, North America)		301958-003
Compaq TFT1720M Flat Panel Monitor (17-inch, (Carbon/Silver, includes speaker, USB port, headphone, outside North America)		D5064P-XXX
Compaq TFT1520 Flat Panel Monitor (15-inch, Carbon/Silver, North America)		295925-003
Compaq TFT1520 Flat Panel Monitor (15-inch, Carbon/Silver, outside North America)		D5063D-XXX
Compaq TFT1520M Flat Panel Monitor (15-inch, (Carbon/Silver includes speaker, USB port, headphone, North America)		301957-003
Compaq TFT1520M Flat Panel Monitor (15-inch, (Carbon/Silver includes speaker, USB port, headphone, outside North America)		D5063P-XXX
<i>Performance Series</i>		
HP P930 CRT Monitor (19-inch, Flat-screen, Carbon/Silver, North America)		302268-003
HP P930 CRT Monitor (19-inch, Flat-screen, Carbon/Silver, Outside North America)		P909W-XXX
HP P1130 CRT Monitor (21-inch, Flat-screen, Carbon/Silver, North America)		302270-003
HP P1130 CRT Monitor (21-inch, Flat-screen, Carbon/Silver, Outside North America)		P4819-XXX
HP L1825 Flat Panel Monitor (18-inch, Carbon/Silver, North America)		303486-003
HP L1825 Flat Panel Monitor (18-inch, Carbon/Silver, Outside North America)		P9021W-XXX
HP L2025 Flat Panel Monitor (20-inch, Carbon/Silver, North America)		303102-003
HP L2025 Flat Panel Monitor (20-inch, Carbon/Silver, Outside North America)		P4831W-XXX
Compaq TFT1825 Flat Panel Monitor (18-inch, Carbon/Silver, North America)		296751-003
Compaq TFT1825 Flat Panel Monitor (18-inch, Carbon/Silver, Outside North America)		P9021A-XXX
Compaq TFT2025 Flat Panel Monitor (20-inch, Carbon/Silver, North America)		285550-003
Compaq TFT2025 Flat Panel Monitor (20-inch, Carbon/Silver, Outside North America)		P4831D-XXX
<i>Rackmount Flat Panel Monitors</i>		
TFT5110R Flat Panel Monitor (Carbon)		281683-B21
NOTE: Monitors larger than 17" may be too heavy for use in rack systems.		

Options

Tape Drives

NOTE: In order to install certain tape drives internally, you may need to remove the rails that come standard on the drives and then re-insert the screws in the mounting holes. Mounting screws are shipped standard with server.

Internal and External DAT Tape Drives

Internal 12/24-GB DAT Drive (opal)	295513-B22
Internal 12/24-GB DAT Drive (opal) (Japan)	295513-292

NOTE: Please see the 12/24-GB DAT Drive QuickSpecs for additional options such as cassettes and for an up-to-date listing of the latest O/S Support details, please see the following:

http://www5.compaq.com/products/quickspecs/10239_div/10239_div.HTML (Division/World Wide)

http://www5.compaq.com/products/quickspecs/10239_na/10239_na.HTML (North America)

HP StorageWorks 20/40-GB DAT DDS-4 Tape Drive, Internal (Carbon) (WW)	157769-B22
HP StorageWorks 20/40-GB DAT DDS-4 Tape Drive, External (Carbon) (NA)	157770-002
HP StorageWorks 20/40-GB DAT DDS-4 Tape Drive, External (Int'l) (Carbon)	157770-B32
HP StorageWorks 20/40-GB DAT DDS-4 Tape Drive, External (Japan) (Carbon)	157770-292
HP StorageWorks Internal 20/40-GB DAT, Hot Plug (Carbon)	215488-B21

NOTE: Please see the 20/40-GB DAT Tape Drive QuickSpecs for additional options such as host bus adapters, controllers, cassettes, and for an up-to-date listing of the latest O/S Support details, please see the following:

http://www5.compaq.com/products/quickspecs/10426_div/10426_div.HTML (Division/World Wide)

http://www5.compaq.com/products/quickspecs/10426_na/10426_na.HTML (North America)

Internal and External AIT Tape Drives

HP StorageWorks Internal AIT 35-GB, LVD Tape Drive (Carbon)	216884-B21
HP StorageWorks External AIT 35-GB, LVD Tape Drive (Carbon)	216885-001
HP StorageWorks External AIT 35-GB, LVD Tape Drive (Carbon) (Int'l)	216885-B31
HP StorageWorks External AIT 35-GB, LVD Tape Drive (Carbon) (Japan)	216885-291
HP StorageWorks Internal AIT 35-GB, LVD, Hot Plug (Carbon)	216886-B21

NOTE: Please see the AIT 35-GB, LVD Tape Drive QuickSpecs for additional options such as adapters, controllers, and cassettes, and for an up-to-date listing of the latest O/S Support details, please see the following:

http://www5.compaq.com/products/quickspecs/10712_div/10712_div.HTML (Division/World Wide)

http://www5.compaq.com/products/quickspecs/10712_na/10712_na.HTML (North America)

HP StorageWorks AIT 50-GB Tape Drive, Internal (Carbon) (WW)	157766-B22
HP StorageWorks AIT 50-GB Tape Drive, External (Carbon) (NA)	157767-002
HP StorageWorks AIT 50-GB Tape Drive, External (Int'l) (Carbon)	157767-B32
HP StorageWorks AIT 50-GB Tape Drive, External (Japan) (Carbon)	157767-292
HP StorageWorks Internal AIT 50-GB, Hot Plug (Carbon)	215487-B21
HP StorageWorks AIT 50GB Tape Drive, 3U Rackmount	274333-B21

NOTE: Please see the AIT 50-GB Tape Drive QuickSpecs for additional options such as adapters, controllers, and cassettes, and for an up-to-date listing of the latest O/S Support details, please see the following:

http://www5.compaq.com/products/quickspecs/10425_div/10425_div.HTML (Division/World Wide)

http://www5.compaq.com/products/quickspecs/10425_na/10425_na.HTML (North America)

HP StorageWorks Internal AIT 100-GB Tape Drive (Carbon)	249189-B21
HP StorageWorks External AIT 100-GB Tape Drive (Carbon)	249160-001
HP StorageWorks External AIT 100-GB Tape Drive (Carbon) (Int'l)	249160-B31
HP StorageWorks Internal AIT 100-GB, Hot Plug (Carbon)	249161-B21

NOTE: Please see the AIT 100-GB Tape Drive QuickSpecs for additional options such as adapters, controllers, and cassettes, and for an up-to-date listing of the latest O/S Support details, please see the following:

http://www5.compaq.com/products/quickspecs/11062_div/11062_div.HTML (Division/World Wide)

http://www5.compaq.com/products/quickspecs/11062_na/11062_na.HTML (North America)

Options

Tape Drives (continued)

Internal and External DLT/SDLT Tape Drives

NOTE: Please see the 20/40-GB DLT Drive QuickSpecs for additional options such as data and cleaning cartridges, and for an up-to-date listing of the latest O/S Support details, please see the following:
http://www5.compaq.com/products/quickspecs/10234_div/10234_div.HTML (Division/World Wide)
http://www5.compaq.com/products/quickspecs/10234_na/10234_na.HTML (North America)

HP StorageWorks 40/80-GB DLT Tape Drive, Internal (Carbon)	146196-B22
HP StorageWorks 40/80-GB DLT Tape Drive, External (Carbon) (NA)	146197-B22
HP StorageWorks 40/80-GB DLT Tape Drive, External (Carbon) (Japan)	146197-293
HP StorageWorks Rackmount DLT 40/80, 3U (Single Drive)	274332-B21
HP StorageWorks Rackmount DLT 40/80, Dual Drive 3U (Two Drives)	274335-B21
HP StorageWorks Rackmount DLT 40/80, Tape Array III, 5U (Four Drives)	274337-B21

NOTE: Please see the 40/80-GB DLT Drive QuickSpecs for additional options such as host bus adapters, controllers, cassettes, and for an up-to-date listing of the latest O/S Support details, please see the following:
http://www5.compaq.com/products/quickspecs/10658_div/10658_div.HTML (Division/World Wide)
http://www5.compaq.com/products/quickspecs/10658_na/10658_na.HTML (North America)

Internal and External DLT VS Tape Drives

HP StorageWorks DLT VS 40/80 Tape Drive, Internal (Carbon) (WW)	280129-B21
HP StorageWorks DLT VS 40/80 Tape Drive, External (Carbon) (NA)	280129-B22
HP StorageWorks DLT VS 40/80 Tape Drive, External (Carbon) (Int'l)	280129-B31
HP StorageWorks DLT VS 40/80 Tape Drive, External (Carbon) (Japan)	280129-291

NOTE: Please see the DLT VS 40/80 Tape Drive QuickSpecs for additional options such as host bus adapters, controllers, cassettes, and for an up-to-date listing of the latest O/S Support details, please see the following:
http://www5.compaq.com/products/quickspecs/11403_div/11403_div.HTML (Division/World Wide)
http://www5.compaq.com/products/quickspecs/11403_na/11403_na.HTML (North America)

HP StorageWorks Rackmount SDLT 110/220, 3U (Single Drive)	274331-B21
HP StorageWorks Rackmount SDLT 110/220, Dual-Drive, 3U (Two Drives)	274334-B21
HP StorageWorks Rackmount SDLT 110/220, Tape Array III, 5U (Four Drives)	274336-B21

NOTE: Please see the SDLT 110/220-GB Tape Drive QuickSpecs for additional options such as adapters, controllers, and media, and for an up-to-date listing of the latest O/S Support details, please see the following:
http://www5.compaq.com/products/quickspecs/10772_div/10772_div.HTML (Division/World Wide)
http://www5.compaq.com/products/quickspecs/10772_na/10772_na.HTML (North America)

HP StorageWorks SDLT 160/320, Internal (carbon) (WW)	257319-B21
HP StorageWorks SDLT 160/320, External NA (carbon)	257319-001
HP StorageWorks SDLT 160/320, External WW (carbon)	257319-B31
HP StorageWorks SDLT 160/320, External Japan (carbon)	257319-291

NOTE: Please see the SDLT 160/320-GB Tape Drive QuickSpecs for additional options such as adapters, controllers, and media, and for an up-to-date listing of the latest O/S Support details, please see the following:
http://www5.compaq.com/products/quickspecs/11406_div/11406_div.HTML (Division/World Wide)
http://www5.compaq.com/products/quickspecs/11406_na/11406_na.HTML (North America)

External SuperLoader

DLT1 1280 SuperLoader	268664-B21
-----------------------	------------

NOTE: Please see the StorageWorks™ DLT1 1280 SuperLoader by Compaq QuickSpecs for additional options and for an up-to-date listing of the latest O/S Support details, please see the following:
http://www5.compaq.com/products/quickspecs/11330_div/11330_div.HTML (Division/World Wide)
http://www5.compaq.com/products/quickspecs/11330_na/11330_na.HTML (North America)

Options

Tape Drives *(continued)*

Internal and External LTO Ultrium Tape Drives

HP StorageWorks LTO Ultrium 230 Tape Drive, Internal (Carbon) WW	Q1515A
HP StorageWorks LTO Ultrium 230 Tape Drive, External (Carbon) NA	Q1516A
HP StorageWorks LTO Ultrium 230 Tape Drive, External (Carbon) Int'l	Q1517A

NOTE: Please see the HP StorageWorks LTO Ultrium Tape Drive QuickSpecs for additional options such as controllers, and other related items, and for an up-to-date listing of the latest O/S Support details, please see the following:

http://www5.compaq.com/products/quickspecs/11415_div/11415_div.HTML (Division/World Wide)

http://www5.compaq.com/products/quickspecs/11415_na/11415_na.HTML (North America)

HP StorageWorks Ultrium 460 Tape Drive for ProLiant, Internal (Carbon) WW	Q1518A
HP StorageWorks Ultrium 460 Tape Drive for ProLiant, External (Carbon) NA	Q1519A
HP StorageWorks Ultrium 460 Tape Drive for ProLiant, External (Carbon) Int'l	Q1520A

NOTE: Please see the HP StorageWorks Ultrium 460 Tape Drives for ProLiant QuickSpecs for additional options such as data and cleaning cartridges, and for an up-to-date listing of the latest O/S Support details, please see the following:

http://www5.compaq.com/products/quickspecs/11530_div/11530_div.HTML (Division/World Wide)

http://www5.compaq.com/products/quickspecs/11530_na/11530_na.HTML (North America)

Internal and External DAT Autoloader

20/40-GB DAT 8 Cassette Autoloader Internal (Opal)	166504-B21
20/40-GB DAT 8 Cassette Autoloader External (Opal)	166505-001
20/40-GB DAT 8 Cassette Autoloader External (Opal) (Int'l)	166505-B31
20/40-GB DAT 8 Cassette Autoloader External (Opal) (Japan)	166505-291

NOTE: Please see the 20/40-GB DAT DDS-4 8 Cassette Autoloader QuickSpecs for additional options such as adapters, controllers, and cassettes, and for an up-to-date listing of the latest O/S Support details, please see the following:

http://www5.compaq.com/products/quickspecs/10518_div/10518_div.HTML (Division/World Wide)

http://www5.compaq.com/products/quickspecs/10518_na/10518_na.HTML (North America)

AIT Autoloader

HP StorageWorks AIT 35 GB Autoloader, Rackmount (Carbon) (NA)	280349-001
HP StorageWorks AIT 35 GB Autoloader, Rackmount (Carbon) (Int'l)	280349-B31
HP StorageWorks AIT 35 GB Autoloader Tabletop (Carbon) (NA)	292355-001
HP StorageWorks AIT 35 GB Autoloader, Tabletop (Carbon) (Int'l)	292355-B31

NOTE: Please see the AIT 35-GB Autoloader QuickSpecs for additional options such as adapters, controllers, and cassettes, and for an up-to-date listing of the latest O/S Support details, please see the following:

http://www5.compaq.com/products/quickspecs/11404_div/11404_div.HTML (Division/World Wide)

http://www5.compaq.com/products/quickspecs/11404_na/11404_na.HTML (North America)

HP StorageWorks 1/8 Autoloader

HP StorageWorks 1/8 Autoloader, Tabletop, Ultrium 230	C9572CB
HP StorageWorks 1/8 Autoloader, Tabletop, DLT VS80	C9264CB
HP StorageWorks 1/8 Autoloader, Rackmount kit	C9266R

Options

Tape Drives <i>(continued)</i>	Rackmount Tape Drive Kits	
	3U Rackmount Kit	274338-B21
	<p>NOTE: The 3U Rackmount Kit (PN 274338-B21) can support up to (2) full-height or (4) half-height tape drives and compatible with multiple Single-Ended and LVD SCSI Tape Drives including the 12/24-GB DAT, 20/40-GB DAT, 20/40-GB DAT DDS-4 8 Cassette Autoloader, AIT 35-GB LVD, AIT 50 GB, 20/40-GB DLT, 40/80-GB DLT, and the SDLT 110/220-GB Tape Drives.</p>	
	5U Rackmount Kit	274339-B21
	<p>NOTE: The 5U Rackmount Kit (PN 274339-B21) can support up to (4) full-height tape drives and is compatible with all Compaq DLT/SDLT tape drives including the 20/40-GB DLT, 35/70-GB DLT, 40/80-GB DLT, and the SDLT 110/220-GB tape drives.</p>	
	<p>NOTE: Please see the Compaq Rackmount Tape Drive Kits QuickSpecs for additional information regarding these kits, please see the following: http://www5.compaq.com/products/quickspecs/10854_div/10854_div.HTML (Division/World Wide) http://www5.compaq.com/products/quickspecs/10854_na/10854_na.HTML (North America)</p>	
	Rackmount Tape Drive Cable Kits	
	LVD Cable Kit, VHDCI/HD68	168048-B21
	NOTE: For use with the 3U RM Storage Enclosure and DLT Tape Array III only.	
	LVD Cable Kit, HD68/HD68	242381-B21
	NOTE: For use with the 3U RM Storage Enclosure and DLT Tape Array III only.	

Options

Tape Automation

Entry Level Tape Libraries

SSL2020 AIT Library

SSL2020 AIT Mini-Library 1 drive, 20 slot Table Top	175195-B21
SSL2020 AIT Mini-Library 2 drive, 20 slot Table Top	175195-B22
SSL2020 AIT Mini-Library 1 drive, 20 slot Rackmount	175196-B21
SSL2020 AIT Mini-Library 2 drive, 20 slot Rackmount	175196-B22
SSL2020 AIT Library Pass Thru with Transport	175312-B21
SSL2020 AIT Library Pass Thru Extender	175312-B22
AIT 50-GB Drive Add-On LVD Drive for SSL2020 AIT Library	175197-B21

Required Adapters/Controllers for SSL2020 AIT Library

SAN Access Module for Smart Array 5302 Controller	216687-B21
SAN Access Module for Smart Array 5302 Controller (Japan)	216687-291

NOTE: Please see the SSL2020 Automated AIT Tape Library Solution QuickSpecs for additional information including Upgrade Kits, Accessories, and SCSI Cable Kits and additional options needed for a complete solution at:

http://www5.compaq.com/products/quickspecs/10580_na/10580_na.HTML (North America)

http://www5.compaq.com/products/quickspecs/10580_div/10580_div.HTML (Division/World Wide)

MSL5000 Libraries

Mainstream Tape Library

MSL5026DLX DLT Library

MSL5026DLX, 1 40/80-GB DLT, LVD Table Top	231821-B21
MSL5026DLX, 2 40/80-GB DLT, LVD Table Top	231821-B22
MSL5026DLX, 1 40/80-GB DLT, LVD Rackmount	231891-B21
MSL5026DLX, 2 40/80-GB DLT, LVD Rackmount	231891-B22

MSL5026SLSDLT Library

MSL5K Field Upgrade SDLT 110/220 Drive, LVD	231823-B22
---	------------

NOTE: Please see the StorageWorks MSL5026DLX or MSL5026SL Library QuickSpecs for additional information including Upgrade Kits, Accessories, and SCSI Cable Kits and additional options needed for a complete solution at:

http://www5.compaq.com/products/quickspecs/10860_na/10860_na.HTML (North America)

http://www5.compaq.com/products/quickspecs/10860_div/10860_div.HTML (Division/World Wide)

MSL5026SL, Tabletop, 1 SDLT Drive (Graphite)	302511-B21
MSL5026SL, Tabletop, 2 SDLT Drives (Graphite)	302511-B22
MSL5026SL, Rackmount, 1 SDLT Drive (Graphite)	302512-B21
MSL5026SL, Rackmount, 2 SDLT Drive (Graphite)	302512-B22

NOTE: Please see the StorageWorks MSL5026SL Library QuickSpecs for additional information including Upgrade Kits, Accessories, and SCSI Cable Kits and additional options needed for a complete solution at:

http://www5.compaq.com/products/quickspecs/11440_na/11440_na.HTML (North America)

http://www5.compaq.com/products/quickspecs/11440_div/11440_div.HTML (Division/World Wide)

Options

Tape Automation (continued)

MSL5000 Libraries (continued)

MSL5026S2 SDLT Library

MSL5026S2, Rackmount, 0 Drive Library	293472-B21
MSL5026S2, Rackmount, 1 Drive, SDLT2 Library	293472-B22
MSL5026S2, Rackmount, 2 Drives, SDLT2 Library	293472-B23
MSL5026S2FC, Rackmount, 1 Drive, SDLT2 Library	293472-B24
MSL5026S2FC, Rackmount, 2 Drives, SDLT2 Library	293472-B25
MSL5026S2, Tabletop, 1 Drive, SDLT2 Library	293473-B21
MSL5026S2, Tabletop, 2 Drives, SDLT2 Library	293473-B22

NOTE: Please see the StorageWorks MSL5026S2 Library QuickSpecs for additional information including Upgrade Kits, Accessories, and SCSI Cable Kits and additional options needed for a complete solution at:
http://www5.compaq.com/products/quickspecs/11453_na/11453_na.HTML (North America)
http://www5.compaq.com/products/quickspecs/11453_div/11453_div.HTML (Division/World Wide)

Departmental Tape Library

MSL5052SL SDLT Library

MSL5052, Rackmount, 0 Drive, SDLT ALL	255102-B21
MSL5052SL, SDLT, 110/220, 2 Drives, LVD, Table Top	249490-B21
MSL5052SL, SDLT, 110/220, 2 Drives, LVD, Rackmount	249491-B21

NOTE: Please see the StorageWorks MSL5052SL Library QuickSpecs for additional information including Upgrade Kits, Accessories, and SCSI Cable Kits and additional options needed for a complete solution at:
http://www5.compaq.com/products/quickspecs/11061_na/11061_na.HTML (North America)
http://www5.compaq.com/products/quickspecs/11061_div/11061_div.HTML (Division/World Wide)

MSL5052S2 SDLT Library

MSL5052S2, Tabletop, 2 Drives, SDLT2 Library	293476-B21
MSL5052S2, Rackmount, 2 Drives, SDLT2 Library	293474-B21
MSL5052S2FC, Rackmount, 2 Drives, SDLT2 Library	293474-B24

NOTE: Please see the StorageWorks MSL5052S2 Library QuickSpecs for additional information including Upgrade Kits, Accessories, and SCSI Cable Kits and additional options needed for a complete solution at:
http://www5.compaq.com/products/quickspecs/11442_na/11442_na.HTML (North America)
http://www5.compaq.com/products/quickspecs/11442_div/11442_div.HTML (Division/World Wide)

MSL5030 LTO Library

MSL5030L1, Rackmount, 0 Drive Library	301897-B21
MSL5030L1, Rackmount, 1 Drive, LTO1 Library	301897-B22
MSL5030L1, Rackmount, 2 Drives, LTO1 Library	301897-B23
MSL5030L1FC, Rackmount, 1 Drive, LTO1 Library	301897-B24
MSL5030L1FC, Rackmount, 2 Drives, LTO1 Library	301897-B25
MSL5030L1, Tabletop, 1 Drive, LTO1 Library	301898-B21
MSL5030L1, Tabletop, 2 Drives, LTO1 Library	301898-B22

NOTE: Please see the StorageWorks MSL5030 LTO Library QuickSpecs for additional information including Upgrade Kits, Accessories, and SCSI Cable Kits and additional options needed for a complete solution at:
http://www5.compaq.com/products/quickspecs/11439_na/11439_na.HTML (North America)
http://www5.compaq.com/products/quickspecs/11439_div/11439_div.HTML (Division/World Wide)

Options

Tape Automation <i>(continued)</i>	MSL5000 Libraries <i>(continued)</i>	
	MSL5060 LTO Library	
	MSL5060L1, Rackmount, 0 Drive Library	301899-B21
	MSL5060L1, Rackmount, 2 Drives, LTO1 Library	301899-B22
	MSL5060L1FC, Rackmount, 2 Drives, LTO1 Library	301899-B23
	MSL5060L1, Tabletop, 2 Drives, LTO1 Library	301900-B21
	NOTE: Please see the StorageWorks MSL5060 LTO Library QuickSpecs for additional information including Upgrade Kits, Accessories, and SCSI Cable Kits and additional options needed for a complete solution at: http://www5.compaq.com/products/quickspecs/11438_na/11438_na.HTML (North America) http://www5.compaq.com/products/quickspecs/11438_div/11438_div.HTML (Division/World Wide)	
	MSL5000 series Libraries Options	
	MSL5K Field Upgrade SDLT 110/220 Drive, LVD	231823-B22
	MSL5000 SDLT2 Upgrade Drive	293475-B21
	MSL5000 LTO1 Upgrade Drive	301901-B21
	MSL5000 Dual Magazine LTO	301902-B21
MSL5000 Dual Magazine DLT	232136-B21	
Required Adapters for MSL5000 series Libraries		
64-Bit/66Mhz Dual Channel Wide Ultra3 SCSI Adapter	129803-B21	
Smart Array Cluster Storage	Smart Array Cluster Storage	201724-B21
	Smart Array Cluster Storage Redundant Controller Option Kit	218252-B21
	4-Port Shared Storage Module with Smart Array Multipath Software for Smart Array Cluster Storage	292944-B21
	128-MB Cache Module for Smart Array 5302 Controller	153506-B21
	256-MB Battery-Backed Cache Module	254786-B21
Cluster Options	Compaq ProLiant Cluster HA/F100 for Windows NT and 2000 Advanced Server	309816-B21
	Compaq ProLiant Cluster HA/F200 Upgrade Kit (NT 4.0EE to W2K AS)	176848-B22
	Compaq ProLiant Cluster HA/F200 for Windows NT and 2000 Advanced Server	380357-B23
	Compaq ProLiant Cluster HA/F200 for Windows NT and 2000 Advanced Server (Japan)	380357-293
	NOTE: For additional information regarding the Compaq ProLiant Cluster for HA/F100, HA/F200 for Windows NT and 2000 Advanced Server please see the following QuickSpecs at: http://www5.compaq.com/products/quickspecs/10777_na/10777_na.html (North America) http://www5.compaq.com/products/quickspecs/10777_div/10777_div.html (Division/World Wide)	
	ProLiant Cluster HA/F500 Enhanced Kit for Enterprise Virtual Array v.2	254623-B22
	ProLiant Cluster HA/F500 Basic Kit for Enterprise Virtual Array (v.2)	313047-B21
	ProLiant Cluster HA/F500 Basic Kit for MA8000/EMA16000	103250-B25
	ProLiant Cluster HA/F500 Enhanced Kit for MA8000/EMA16000	379937-B25
	ProLiant Cluster HA/F500 Enhanced DT Kit for MA8000/EMA16000	164227-B23
	NOTE: For additional information regarding the Compaq ProLiant Cluster for HA/F500 please see the following QuickSpecs at: http://www5.compaq.com/products/quickspecs/10232_na/10232_na.html (North America) http://www5.compaq.com/products/quickspecs/10232_div/10232_div.html (Division/World Wide)	
	ProLiant Cluster HA/F500 Basic Kit for MA8000/EMA16000	103250-B25
NOTE: For additional information regarding the Compaq ProLiant Cluster HA/F500 for Enterprise Virtual Array please see the following QuickSpecs at: http://www5.compaq.com/products/quickspecs/11055_na/11055_na.html (North America) http://www5.compaq.com/products/quickspecs/11055_div/11055_div.html (Division/World Wide)		

Options

Cluster Options <i>(continued)</i>	ProLiant Cluster HA/F100 for MSA1000 v2	252408-B22	
	ProLiant Cluster HA/F100 for MSA1000 v2 (Japan)	252408-292	
	ProLiant Cluster HA/F200 for MSA1000 v2	252409-B22	
	ProLiant Cluster HA/F200 for MSA1000 v2 (Japan)	252409-292	
	ProLiant Cluster HA/F100 for MSA1000	252408-B21	
	ProLiant Cluster HA/F100 for MSA1000 (Japan)	252408-291	
	ProLiant Cluster HA/F200 for MSA1000	252409-B21	
	ProLiant Cluster HA/F200 for MSA1000 (Japan)	252409-291	
NOTE: For additional information regarding the Compaq ProLiant Cluster HA/F100 and HA/F200 for MSA1000, please see the following QuickSpecs at: http://www5.compaq.com/products/quickspecs/11035_na/11035_na.html (North America) http://www5.compaq.com/products/quickspecs/11035_div/11035_div.html (Division/World Wide)			
	ProLiant Cluster HA/L100 LifeKeeper for Linux	303523-B21	
NOTE: For additional information regarding the ProLiant Cluster HA/L100 LifeKeeper for Linux, please see the following QuickSpecs at: http://www5.compaq.com/products/quickspecs/11533_na/11533_na.html (North America) http://www5.compaq.com/products/quickspecs/11533_div/11533_div.html (Division/World Wide)			
External Storage – Tower and Rack	StorageWorks Enclosure Model 4314T (tower)	190210-001	
	StorageWorks Enclosure Model 4314T (tower) (Int'l)	190210-B31	
	StorageWorks Enclosure Model 4314T (tower) (Japan)	190210-291	
	StorageWorks Enclosure Model 4314R (rack-mountable)	190209-001	
	StorageWorks Enclosure Model 4314R (rack-mountable) (Int'l)	190209-B31	
	StorageWorks Enclosure Model 4314R (rack-mountable) (Japan)	190209-291	
	StorageWorks Enclosure Model 4354R (rack-mountable)	190211-001	
	StorageWorks Enclosure Model 4354R (rack-mountable) (Int'l)	190211-B31	
	StorageWorks Enclosure Model 4354R (rack-mountable) (Japan)	190211-291	
	NOTE: The StorageWorks Enclosure 4300 Family supports the Wide Ultra2/Ultra3 1" Hot Plug Hard Drives.		
		StorageWorks Enclosure 4200 Redundant Power Supply Option	119826-B21
		StorageWorks Enclosure 4200 Ultra3 Single Bus I/O Module Option	190212-B21
		StorageWorks Enclosure 4200 Ultra3 Dual Bus I/O Module Option	190213-B21
		StorageWorks Enclosure Tower to Rack Conversion Kit	150213-B21
MSA1000	MSA 1000	201723-B22	
	MSA 1000 Controller	218231-B22	
	MSA Fibre Channel I/O Module	218960-B21	
	MSA1000 Fabric Switch	218232-B21	
	MSA 1000 Fibre Channel Adapter (FCA) 2101	245299-B21	
	HP StorageWorks msa hub 2/3	286763-B21	
	NOTE: Please see the HP StorageWorks modular SAN array 1000 QuickSpecs for additional options and configuration information at: http://www5.compaq.com/products/quickspecs/11033_na/11033_na.HTML (North America) http://www5.compaq.com/products/quickspecs/11033_div/11033_div.HTML (Division/World Wide)		

Options

StorageWorks Modular Array 8000/Enterprise Modular Array 12000	EMA12000 D14 60Hz	175990-B21
	EMA12000 D14 50Hz	175990-B22
	EMA12000 S14 60Hz	175991-B21
	EMA12000 S14 50Hz	175991-B22
	MA8000 60Hz	175992-B21
	MA8000 50Hz	175992-B22
	EMA12000 Blue 60Hz	175993-B21
	EMA12000 Blue 50Hz	175993-B22

NOTE: Options include controller, solution kits, ACS. MA8000/EMA12000 includes controller shelf, drive shelves and cabinet. Packaging upgrade to RA8000/ESA12000.

NOTE: Please see the StorageWorks MA8000/EMA12000 QuickSpecs for FC Hubs, FC switches, platform software, host adapters, disks and options for complete solutions at:

http://www5.compaq.com/products/quickspecs/10545_na/10545_na.HTML (North America)

http://www5.compaq.com/products/quickspecs/10545_div/10545_div.HTML (Division/World Wide)

StorageWorks Enterprise Modular Array 16000 FC	EMA16000 D14 50Hz (opal)	238792-B22
	EMA16000 D14 60Hz (opal)	238792-B21
	EMA16000 S14 50Hz (opal)	238791-B22
	EMA16000 S14 60Hz (opal)	238791-B21

NOTE: Models include: Dual HSG80 controllers in each Model 2200 enclosure (2 pairs per single bus configuration, 4 pairs per dual bus configuration) with 1GB cache per controller pair, and 12 14-bay drive enclosures with redundant power supplies. Configure-to-Order (CTO) builds are available. Options include ACS, platform kits and software by HP.

NOTE: Please see the StorageWorks EMA16000 QuickSpecs for FC switches, platform software, host adapters, disks and options for complete solutions at:

http://www5.compaq.com/products/quickspecs/10812_na/10812_na.HTML (North America)

http://www5.compaq.com/products/quickspecs/10812_div/10812_div.HTML (Division/World Wide)

StorageWorks Options	64-bit/66-MHz Fibre Channel Host Adapter	120186-B21
	NOTE: The 64-bit/66-Mhz Fibre Channel Host Adapter has been qualified for use with the Compaq RAID Array 4000 family of products, the Enterprise Backup Solution, and the RAID Array 8000 under NetWare.	
	64-bit/66-MHz Fibre Channel Host Adapter (Japan)	120186-291
	NOTE: The 64-bit/66-Mhz Fibre Channel Host Adapter has been qualified for use with the Compaq RAID Array 4000 family of products, the Enterprise Backup Solution (EBS) offerings, and the RAID Array 8000 under NetWare.	
	StorageWorks SAN Switch 2/8-EL	258707-B21
	StorageWorks SAN Switch 2/8-EL Upgrade	288162-B21
	StorageWorks SAN Switch 2/16-EL	283056-B21
	StorageWorks SAN Switch 2/16-EL Upgrade	288250-B21

UPS and PDU Power Cord Matrix *Please see the UPS and PDU cable matrix that lists cable descriptions, requirements, and specifications for UPS and PDU units.that lists cable descriptions, requirements, and specifications for UPS units.*
<ftp://ftp.compaq.com/pub/products/servers/ProLiantstorage/power-protection/powercordmatrix.pdf>.

Options

Uninterruptible Power Systems – Tower	HP UPS Model T700 (700VA, 500 Watt), Low Voltage (NA)	204015-001
	HP UPS Model T700 (700VA, 500 Watt), High Voltage (Int'l)	204015-B31
	HP UPS Model T700 (700VA, 500 Watt), Low Voltage (Japan)	204015-291
	HP UPS Model T1000 XR (1000VA, 700 Watt), Low Voltage (NA)	204155-001
	HP UPS Model T1000 XR (1000VA, 700 Watt), High Voltage (Int'l)	204155-B31
	HP UPS Model T1000 XR (1000VA, 700 Watt), Low Voltage (Japan)	312803-291
	HP UPS Model T1500 XR (1440VA, 1050 Watt), Low Voltage (NA)	204155-002
	HP UPS Model T1500 XR (1500VA, 1050 Watt), High Voltage (Int'l)	204155-B32
	HP UPS Model T1500 XR (1500VA, 1050 Watt), Low Voltage (Japan)	204155-291
	HP UPS Model T2200 XR (1920VA, 1600 Watt), Low Voltage (NA)	204451-001
	HP UPS Model T2200 XR (2080VA, 1600 Watt), High Voltage (NA)	204451-002
	HP UPS Model T2200 XR (2200VA, 1600 Watt), Low Voltage (NA)	204451-B31
	HP UPS Model T2200 XR (2200VA, 1600 Watt), Low Voltage (Japan)	204451-291
Uninterruptible Power Systems – Rack	Compaq UPS R1500 XR (1440VA, 1340 Watt), Low Voltage (NA)	204404-001
	Compaq UPS R1500 XR (1500VA, 1340 Watt), High Voltage (Int'l)	204404-B31
	Compaq UPS R1500 XR (1500VA, 1340 Watt), Low Voltage (Japan)	204404-291
	Compaq UPS R3000 XR (2880VA, 2700 Watt), Low Voltage (NA)	192186-001
	Compaq UPS R3000 XR (3000VA, 2700 Watt), High Voltage (NA)	192186-002
	Compaq UPS R3000 XR (2400VA, 2250 Watt), Low Voltage (Japan)	192186-291
	Compaq UPS R3000 XR (3000VA, 2700 Watt), High Voltage (Japan)	192186-292
	Compaq UPS R3000 XR (3000VA, 2700 Watt), High Voltage (Int'l - detachable cord)	192186-B31
	Compaq UPS R3000 XR (3000VA, 2700 Watt), High Voltage (16A IEC309 Plug)	192186-B32
	Compaq UPS R3000 XR (3000VA, 2700 Watt), High Voltage (16A CEE 7/7 SCHUKO Plug)	192186-B33
	Compaq UPS R3000 XR (3000VA, 2700 Watt), High Voltage (16A BS-546 Plug)	192186-AR1
	Rack-Mountable UPS R6000 (6000VA, 6000 Watt) High Voltage (NA) NOTE: The UPS R6000 has a hardwired input.	347207-001
	Rack-Mountable UPS R6000 (6000VA, 6000 Watt) High Voltage (Int'l) NOTE: The UPS R6000 has a hardwired input.	347207-B31
	Rack-Mountable UPS R6000 (6000VA, 6000 Watt) High Voltage (Japan) NOTE: The UPS R6000 has a hardwired input.	347207-291
	UPS R12000 XR N+x (200-240V) (WW-hardwired) NOTE: The UPS R12000 XR has a hardwired input and output.	207552-B22
	UPS Options	SNMP Serial Port Card NOTE: Supports tower and rack UPS XR models ranging from 1000 – 3000VA
Six Port Card NOTE: Supports tower and rack UPS XR models ranging from 1000 – 3000VA		192185-B21
High to Low Voltage Transformer (250VA) NOTE: Supports R6000 UPS series only. 2.5 amps @ 125 Volts max output across two NEMA 5-15.		388643-B21
Extended Runtime Module, T1000 XR NOTE: 2U each, two ERM maximum.		218967-B21
Extended Runtime Module, T1500 XR/T2200 XR NOTE: 3U each, one ERM maximum.		218969-B21
Extended Runtime Module, R1500 XR NOTE: 2U each, two ERM maximum.		218971-B21
Extended Runtime Module, R3000 XR NOTE: 2U each, one ERM maximum.		192188-B21
Extended Runtime Module, R6000 NOTE: 3U each, two ERM maximum.		347224-B21

Options

UPS Options <i>(continued)</i>	Extended Runtime Module, R12000 XR, 4U NOTE: 4U each, two ERM maximum.	217800-B21
	SNMP-EN Adapter NOTE: Supports R6000 UPS series only.	347225-B21
	Multi-Server UPS Card NOTE: Supports R6000 UPS series only.	123508-B21
	Scalable UPS Card NOTE: Supports R6000 UPS series only.	123509-B21
Rack-Mountable PDUs – 1U/0U (Up to 12 outlets) NOTE: 0U mounting brackets shipped with the unit (separate option kit for 1U mounting).	Compaq Power Distribution Unit-16A (200 to 240V) (WW) NOTE: The 16A PDU also connects to the high volt models of the UPS R3000 XR (need cable PN 340653-001 (NA) and the UPS R6000 models. Cable PN 340653-001 required if connecting to UPS R3000 XR (192186-002 NA-High Volt model only).	207590-B21
	Compaq Power Distribution Unit-32A (200 to 240V) (Int'l)	207590-B31
	Compaq Power Distribution Unit-40A (200 to 240V) (WW) NOTE: Please see the following Power Distribution Unit (Zero-U/1U PDU) QuickSpecs for additional options including cables: http://www5.compaq.com/products/quickspecs/10838_na/10838_na.HTML (North America) http://www5.compaq.com/products/quickspecs/10838_div/10838_div.HTML (Division/World Wide)	207590-B23
Modular PDUs -1U/0U (Up to 32 outlets) NOTE: 1U/0U mounting brackets shipped with the unit (optimized for 10000 and 9000 series racks).	HP Modular Power Distribution Units (mPDU), Low Volt Model, 24A (100-127 VAC) (NA, Japan) NOTE: This mPDU (252663-D71) may also be used to connect the low volt model of the UPS R3000 XR.	252663-D71
	HP Modular Power Distribution Units (mPDU), High Volt Model, 24A (200-240 VAC) (NA, Japan)	252663-D72
	HP Modular Power Distribution Units (mPDU), High Volt Model, 32A (200-240 VAC) (Int'l)	252663-B31
	HP Modular Power Distribution Units (mPDU), High Volt Model, 40A (200-240 VAC) (WW) NOTE: This mPDU (252663-B21), 40A model has a hardwired input.	252663-B21
	HP Modular Power Distribution Units (mPDU), High Volt Model, 16A (200-240 VAC) (WW) NOTE: This PDU has a detachable input power cord and allows for adaptability to country specific power requirements. This model may also be used with the high volt UPSs R3000 XR and R6000.	252663-B24
	NOTE: Please see the following Modular Power Distribution Unit (Zero-U/1U Modular PDUs) QuickSpecs for additional options including shorter jumper cables and country specific power cords: http://www5.compaq.com/products/quickspecs/11041_na/11041_na.HTML (North America) http://www5.compaq.com/products/quickspecs/11041_div/11041_div.HTML (Division/World Wide)	
PDU Options	1U PDU Mounting Brackets Kit NOTE: The 1U PDU Mounting Brackets are required when mounting PDU's PN 207590-xxx series in 1U configurations.	215852-B21
	Third Party PDU Mounting Kit NOTE: This kit allows you to mount the Modular PDUs in racks other than the 9000/10000 Series racks (any racks using the standard 19" rail). For more details please refer the Modular PDU QuickSpecs.	310777-B21

Options

Other	Enhanced Keyboard (Carbon)	296435-xx5
-------	----------------------------	------------

Enhanced Keyboard (Carbon) Country Key Code	Dash #	Description	Dash #	Description
	-005	US	-175	Arabic
	-035	UK	-185	Belgium
	-045	Germany	-215	Hungary
	-055	France	-225	Czech
	-065	Italy	-235	Solvac
	-075	Spain	-245	Polish
	-085	Denmark	-255	Russian
	-085	Norway	-295	Japan
	-105	Sweden/Finland	-335	Dutch
	-125	French Canadian	-355	Finish
	-135	Portugal	-B35	Int'l
	-145	Turkey	-B45	BHCSY
	-155	Greek		

Rack Builder	<i>Please see the Rack Builder for configuration assistance at http://www.compaq.com/rackbuilder/.</i>	
--------------	---	--

Rack Conversion Kit	Tower to Rack Conversion Kit	225074-B22
---------------------	------------------------------	------------

HP Rack 10000 Series (Graphic Metallic)		
	HP Rack 10842 (42U, 800mm wide) – Pallet	257415-B21
	HP Rack 10842 (42U, 800mm wide) – Shock Pallet	257415-B22
	HP Rack 10647 (47U) – Pallet	245160-B21
	HP Rack 10647 (47U) – Crated	245160-B23
	HP Rack 10642 (42U) – Pallet	245161-B21
	HP Rack 10642 (42U) – Shock Pallet	245161-B22
	HP Rack 10642 (42U) – Crated	245161-B23
	HP Rack 10636 (36U) – Pallet	245162-B21
	HP Rack 10636 (36U) – Shock Pallet	245162-B22
	HP Rack 10636 (36U) – Crated	245162-B23
	HP Rack 10622 (22U) – Pallet	245163-B21
	HP Rack 10622 (22U) – Shock Pallet	245163-B22
	HP Rack 10622 (22U) – Crated	245163-B23

NOTE: -B21 (pallet) used to ship empty racks shipped on a truck
 -B22 (shock pallet) used to ship racks with equipment installed (by custom systems, VARs and Channels)
 -B23 (crated) used for air shipments of empty racks

NOTE: It is mandatory to use a shock pallet in order to ship racks with equipment installed. Not all Compaq equipment is qualified to be shipped in the Rack 10000 series.

NOTE: Please see the Rack 10000 QuickSpecs for Technical Specifications such as height, width, depth, weight, and color:

http://www5.compaq.com/products/quickspecs/10995_div/10995_div.HTML (Division/World Wide)
http://www5.compaq.com/products/quickspecs/10995_na/10995_na.HTML (North America)

NOTE: For additional information regarding Rack Cabinets, please see the following URL:
<http://www.compaq.com/racks>

Options

Compaq Rack 9000 Series (Opal)	Compaq Rack 9142 (42U) – Pallet	120663-B21	
	Compaq Rack 9142 (42U) – Shock Pallet	120663-B22	
	Compaq Rack 9142 (42U) – Crated	120663-B23	
	Compaq Rack 9136 (36U) – Pallet	120664-B21	
	Compaq Rack 9136 (36U) – Shock Pallet	120664-B22	
	Compaq Rack 9136 (36U) – Crated	120664-B23	
	Compaq Rack 9122 (22U) – Pallet	120665-B21	
	Compaq Rack 9122 (22U) – Shock Pallet	120665-B22	
	Compaq Rack 9122 (22U) – Crated	120665-B23	
	Compaq Rack 9842 (800mm wide, 42U) – Pallet	222192-B21	
	NOTE: -B21 (pallet) used to ship empty racks shipped on a truck		
	-B22 (shock pallet) used to ship racks with equipment installed (by custom systems, VARs and Channels)		
	-B23 (crated) used for air shipments of empty racks		
	NOTE: Please see the Rack 9000 QuickSpecs for Technical Specifications such as height, width, depth, weight, and color:		
http://www5.compaq.com/products/quickspecs/10366_div/10366_div.HTML (Division/World Wide)			
http://www5.compaq.com/products/quickspecs/10366_na/10366_na.HTML (North America)			
NOTE: For additional information regarding Rack Cabinets, please see the following URL:			
http://www.compaq.com/racks			
Rack Options for HP Rack 10000 Series	Rack Blanking Panels – Graphite (Multi)	253214-B26	
	NOTE: Contains one each of 1U, 2U, 3U, and 4U panel.		
	Rack Blanking Panels – Graphite (1U)	253214-B21	
	NOTE: The Rack Blanking Panels (PN 253214-B21) contains 10 each of (1U).		
	Rack Blanking Panels – Graphite (2U)	253214-B22	
	NOTE: The Rack Blanking Panels (PN 253214-B21) contains 10 each of (2U).		
	Rack Blanking Panels – Graphite (3U)	253214-B23	
	NOTE: The Rack Blanking Panels (PN 253214-B21) contains 10 each of (3U).		
	Rack Blanking Panels – Graphite (4U)	253214-B24	
	NOTE: The Rack Blanking Panels (PN 253214-B21) contains 10 each of (4U).		
	Rack Blanking Panels – Graphite (5U)	253214-B25	
	NOTE: The Rack Blanking Panels (PN 253214-B21) contains 10 each of (5U).		
	800mm Wide Stabilizer Kit (Graphite)	255488-B21	
	NOTE: Supported by the Rack 10842 cabinet only.		
	600mm Stabilizer Kit – Graphite	246107-B21	
	Baying Kit for Rack 10000 series (Carbon)	248929-B21	
	42U Side Panel – Graphite Metallic	246099-B21	
	110V Fan Kit (Graphite)	257413-B21	
	NOTE: Roof Mount Includes power cord with IEC320-C13 to Nema 5-15P.		
	220V Fan Kit (Graphite)	257414-B21	
NOTE: Roof Mount Includes power cord with IEC320-C13 to Nema 6-15P.			
36U Side Panel – Graphite Metallic	246102-B21		
47U Side Panel – Graphite Metallic	255486-B21		
9000/10000 Series Offset Baying Kit (42U)	248931-B21		
NOTE: This kit can be used to connect 9000 and 10000 series racks of the same U height together. Kit contents include hardware for connecting racks and a panel to cover the 100mm gap at the rear of the two racks.			
NOTE: For additional information regarding Rack Cabinets, please see the following URL: http://www.compaq.com/rackoptions .			

Options

Rack Options for Compaq Rack 9000 Series	Baying/Coupling Kit	120669-B21
	42U Side Panel	120670-B21
	NOTE: The 42U Side Panel (PN 120670-B21) supports the Compaq Rack 9142 and Compaq Rack 9842.	
	36U Side Panel	120671-B21
	NOTE: The 36U Side Panel (PN 120671-B21) supports the Compaq Rack 9136.	
	800mm Stabilizer Option Kit (Opal)	234493-B21
	NOTE: The 800mm Stabilizer Kit (PN 234493-B21) supports the Rack 9842 only.	
	600mm Stabilizer Option Kit	120673-B21
	9142 Extension Kit	120679-B21
	NOTE: The 9142 Extension Kit (PN 120679-B21) supports the Compaq Rack 9142 only.	
	9142 Split Rear Door (Opal)	254045-B21
	NOTE: The 9142 Split Rear Door (PN 254045-B21) supports the 600 mm wide, 42U 9000 series rack.	
	9136 Extension Kit	218216-B21
	9142 Short Rear Door	218217-B21
	NOTE: The 9142 Short Rear Door (PN 218217-B21) supports the Compaq Rack 9142 only.	
	9136 Short Rear Door	218218-B21
	Rack Blanking Panel (Multi)	169940-B21
	NOTE: Kit includes four panels in 1U, 2U, 4U, and 8U.	
	Rack Blanking Panels (1U)	189453-B21
	NOTE: The Rack Blanking Panels (PN 189453-B21) contains 10 each of (1U).	
	Rack Blanking Panels (2U)	189453-B22
NOTE: The Rack Blanking Panels (PN 189453-B22) contains 10 each of (2U).		
Rack Blanking Panels (3U)	189453-B23	
NOTE: The Rack Blanking Panels (PN 189453-B23) contains 10 each of (3U).		
Rack Blanking Panels (4U)	189453-B24	
NOTE: The Rack Blanking Panels (PN 189453-B24) contains 10 each of (4U).		
Rack Blanking Panels (5U)	189453-B25	
NOTE: The Rack Blanking Panels (PN 189453-B25) contains 10 each of (5U).		
9000/10000 Series Offset Baying Kit(42U)	248931-B21	
NOTE: This kit can be used to connect 9000 and 10000 series racks of the same U height together. Kit contents include hardware for connecting racks and a panel to cover the 100mm gap at the rear of the two racks.		
NOTE: For additional information regarding Rack Cabinets, please see the following URL: http://www.compaq.com/rackoptions		
Rack Options for Compaq Rack 7000 Series	High Air Flow Rack Door Insert for 7122	157847-B21
	High Air Flow Rack Door Insert for 7142	327281-B21
	High Air Flow Rack Door Insert for 7142 (6 pack)	327281-B22
	Compaq Networking Cable Management Kit	292407-B21
	Compaq Rack Extension Kit for 7142	154392-B21
	NOTE: For additional information regarding Rack Cabinets, please see the following URL: http://www.compaq.com/rackoptions	

Options

Rack Options for Rack 7000, 9000 and 10000 Series	Monitor Utility Shelf	303606-B21
	Ballast Option Kit	120672-B21
	100kg Sliding Shelf	234672-B21
	Rack Rail Adapter Kit (25" depth)	120675-B21
	Monitor/Utility Shelf - Graphite	253449-B21
	Depth Adjustable Fixed Rail	332558-B21
	Cable Management D-Rings Kit	168233-B21
	Console Management Controller (CMC) Option Kit	203039-B21
	Console Management Controller (CMC) Sensors Option Kit	203039-B22
	Console Management Controller (CMC) Locking Option Kit	203039-B23
	Console Management Controller (CMC) Smoke Sensors Option Kit	203039-B24
	Server Console Switch 1 x 2 port (100 to 230 VAC)	120206-001
	Server Console Switch 1 x 2 port (100 to 230 VAC) (Int'l)	120206-B31
	Server Console Switch 1 x 2 port (100 to 230 VAC) (Japan)	120206-291
	Server Console Switch 1 x 4 port (100 to 230 VAC)	400336-001
	Server Console Switch 1 x 4 port (100 to 230 VAC) (Int'l)	400336-B31
	Server Console Switch 1 x 4 port (100 to 230 VAC) (Japan)	400336-291
	Server Console Switch 1 x 8 port (100 to 230 VAC)	400337-001
	Server Console Switch 1 x 8 port (100 to 230 VAC) (Int'l)	400337-B31
	Server Console Switch 1 x 8 port (100 to 230 VAC) (Japan)	400337-291
	Server Console Switch 2 x 8 port (100 to 230 VAC)	400338-001
	Server Console Switch 2 x 8 port (100 to 230 VAC) (Int'l)	400338-B31
	Server Console Switch 2 x 8 port (100 to 230 VAC) (Japan)	400338-291
	Server Console Switch 2 x 8 port (48 VDC)	400542-B21
	IP Console Switch Box, 1x1x16	262585-B21
	IP Console Switch Box, 3x1x16	262586-B21
	IP Console Interface Adapter, 8 pack	262587-B21
	IP Console Interface Adapter, 1 pack	262588-B21
	IP Console Expansion Module	262589-B21

Options

Rack Options for Rack 7000, 9000 and 10000 Series (continued)	KVM 9 PIN Adapter (4 Pack)	149361-B21	
	CPU to Server Console Cable, 12'	110936-B21	
	CPU to Server Console Cable, 20'	110936-B22	
	CPU to Server Console Cable, 40'	110936-B23	
	CPU to Server Console Cable, 3'	110936-B24	
	CPU to Server Console Cable, 7'	110936-B25	
	CPU to Server Console Cable (Plenum Rated) 20'	149363-B21	
	CPU to Server Console Cable (Plenum Rated) 40'	149364-B21	
	IP CAT5 Cable 3', 4 pack	263474-B21	
	IP CAT5 Cable 6', 8 pack	263474-B22	
	IP CAT5 Cable 12', 8 pack	263474-B23	
	IP CAT5 Cable 20', 4 pack	263474-B24	
	IP CAT5 Cable 40', 1 pack	263474-B25	
	Switch Box Connector Kit (115 V)	144007-001	
	Switch Box Connector Kit (230 V)	144007-002	
	Switch Box Connector Kit (High Voltage) (Int'l)	144007-B33	
	1U Rack Keyboard Drawer	338056-B21	
	Keyboard/Monitor/Mouse extension cables	169989-001	
	1U Rack Keyboard & Drawer (Carbon)	257054-xx1	
<p>NOTE: The 1U Rack Keyboard & Drawer (PN 257054-xx1) is to be used with the Keyboards for Racks with Trackball (PN 158649-xxx).</p>			
<p>Country Code Key (for 1U Rack Keyboard & Drawer (PN 257054-xx1))</p>			
XX = 001	US	XX = 091	Norway
XX = 031	UK	XX = 101	Sweden/Finland
XX = 041	Germany	XX = 111	Switzerland
XX = 051	France	XX = 131	Portugal
XX = 061	Italy	XX = 181	Belgium
XX = 071	Spain	XX = 291	Japan
XX = 081	Denmark	XX = B31	International
	TFT5600 Rack Keyboard Monitor	221546-xx1	
<p>Country Code Key (for TFT5600 RKM Rack Keyboard Monitor (PN 221546-xx1))</p>			
XX = 001	US	XX = 091	Norway
XX = 031	UK	XX = 101	Sweden/Finland
XX = 041	Germany	XX = 111	Switzerland
XX = 051	France	XX = 131	Portugal
XX = 061	Italy	XX = 181	Belgium
XX = 071	Spain	XX = 291	Japan
XX = 081	Denmark	XX = B31	International
	Input Device Adjustable Rails	287139-B21	
<p>NOTE: Input Device Adjustable Rails (287139-B21) are for use ONLY with the TFT5110R, TFT5600RKM and integrated keyboard/drawer which is used in mounting into third party racks.</p>			
	Input Device Telco Rail	287138-B21	
<p>NOTE: Input Device Telco Rails (287138-B21) are for use ONLY with the TFT5110R, TFT5600RKM and integrated keyboard/drawer which is used in mounting into third party racks.</p>			
	Keyboard/Monitor/Mouse extension cables	169989-001	
<p>NOTE: For additional information regarding Rack Cabinets, please see the following URL: http://www.compaq.com/rackoptions</p>			

Options

Rack Options for Third Party Cabinet Racks	Round Hole Rail Kit	231122-B21
	Telco Rail Kit	231121-B21
Service and Support Offerings (CarePaq Services)	Hardware Services 4-Hour On-site Service	
	4-Hour On-site Service, 5-Day x 9-Hour, 3 Years (6-3 Part Number for U.S.)	162658-002
	4-Hour On-site Service, 5-Day x 9-Hour Coverage, 3 Years (6-3 Part Number for Canada)	162658-122
	4-Hour On-site Service, 5-Day x 9-Hour Coverage, 3 Years (6-3 Part Number for EMEA)	324417-002
	4-Hour On-site Service, 7-Day x 24-Hour Coverage, 3 Years (6-3 Part Number for U.S.)	162657-002
	4-Hour On-site Service, 7-Day x 24-Hour Coverage, 3 Years (6-3 Part Number for Canada)	162657-122
	4-Hour On-site Service, 7-Day x 24-Hour Coverage, 3 Years (6-3 Part Number for EMEA)	376912-022
	Installation & Start-up Services	
	Hardware Installation (6-3 Part Number for U.S.)	401792-002
	Hardware Installation (6-3 Part Number for Canada)	401792-122
	Hardware Installation (6-3 Part Number for EMEA)	Quote
	Pre-installation planning; unpack equipment, install most current Compaq HW options internal to server at same time of server installation; assemble & test; basic user information provided; Install & configure basic functionality of Win NT Operating System plus up to 1 day start-up activity, configure print & network access services, and orientation (6-3 Part Number for Canada.)	FM-MSTEC-02
	Pre-installation planning; unpack equipment, install most current Compaq HW options internal to server at same time of server installation; assemble & test; basic user information provided; Install & configure basic functionality of Win NT Operating System plus up to 1 day start-up activity, configure print & network access services, and orientation (6-3 Part Number for U.S.)	240014-002
	Pre-installation planning; unpack equipment, install most current Compaq HW options internal to server at same time of server installation; assemble & test; basic user information provided; Install & configure basic functionality of Novell NetWare Operating System plus up to 1 day start-up activity, configure print & network access services, and orientation (6-3 Part Number for Canada)	FM-NSTEC-02
	Pre-installation planning; unpack equipment, install most current Compaq HW options internal to server at same time of server installation; assemble & test; basic user information provided; Install & configure basic functionality of Novell NetWare Operating System plus up to 1 day start-up activity, configure print & network access services, and orientation (6-3 Part Number for U.S.)	240009-002
	Server Installation and Set-Up (Installation of the server, installation of the appropriate service tools, check to ensure device SW and firmware is loaded and installation of the operating system software (6-3 Part Number for EMEA)	204563-022
	CarePaq Priority Services for ProLiant Servers – Priority Level	
	9 x 5 HW, 4-hr response, Next Available HW engineer; 9 x 5 Bronze Software Support 2-hr response for Windows NT, Windows 2000, Professional, Server or Advanced Server Operating System, Next Available Specialist (6-3 Part Number for Canada)	FM-M01E2-36
	9 x 5 HW, 4-hr response, Next Available HW engineer; 9 x 5 Bronze Software Support 2-hr response for Windows NT, Windows 2000, Professional, Server or Advanced Server Operating System, Next Available Specialist (6-3 Part Number for U.S.)	239929-002
	9 x 5 HW, 4-hr response, Next Available HW engineer; 9 x 5 Bronze Software Support 2-hr response for Novell NetWare Operating System, Next Available Specialist (6-3 Part Number for Canada)	FM-N01E2-36
9 x 5 HW, 4-hr response, Next Available HW engineer; 9 x 5 Bronze Software Support 2-hr response for Novell NetWare Operating System, Next Available Specialist (6-3 Part Number for U.S.)	239969-002	
5 x 9 4-hour H/W, 5 x 9 2-hour O/S (NT & NetWare), three years (6-3 Part Number for EMEA)	179835-022	

Options

Service and Support Offerings (CarePaq Services) <i>(continued)</i>	CarePaq Priority Services for ProLiant Servers – Priority 24 Level	
	24 x 7 HW, 4-hr response, Named HW engineer; 24 x 7 Bronze Software Support, 2-hr response for Windows NT, Windows 2000, Professional, Server or Advanced Server Operating System, Next Available Specialist (6-3 Part Number for U.S.)	239931-002
	24 x 7 HW, 4-hr response, Named HW engineer; 24 x 7 Bronze Software Support, 2-hr response for Novell NetWare Operating System, Next Available Specialist (6-3 Part Number for U.S.)	239971-002
	7 x 24 4-hour H/W, 7 x 24 2-hour O/S (NT & NetWare), three years (6-3 Part Number for EMEA)	179840-022
	CarePaq Priority Services for ProLiant Servers – Priority Silver	
	24 x 7 HW, 4-hr response, Named HW engineer; 24 x 7 Silver Software Support, 1-hr response, Monday – Friday, 8AM – 5PM local time, 2-hr response after hours for Windows NT, Windows 2000, Professional, Server or Advanced Server Operating System, Technical Account Manager, Technical Newsletter, SW activity review, proactive patch notification, 1 System Healthcheck per year (6-3 Part Number for U.S.)	239933-002
	24 x 7 HW, 4-hr response, Named HW engineer; 24 x 7 Silver Subsequent System Support for Windows NT, Windows 2000, Professional, Server or Advanced Server Operating System (6-3 Part Number for U.S.)	239935-002
	24 x 7 HW, 4-hr response, Named HW engineer; 24 x 7 Silver Software Support, 1-hr response, Monday – Friday, 8AM – 5PM local time, 2-hr response after hours for Novell NetWare Operating System, Technical Account Manager, Technical Newsletter, SW activity review (6-3 Part Number for U.S.)	239973-002
	24 x 7 HW, 4-hr response, Named HW engineer; 24 x 7 Silver Subsequent System Support for Novell NetWare Operating System (6-3 Part Number for U.S.)	239975-002
	NOTE: For more information, customer/resellers can contact http://www.compaq.com/services .	

Memory

Compaq ProLiant ML370 Generation 2 (G2) All Models

STANDARD MEMORY

256-MB PC133-MHz Registered ECC SDRAM DIMM comes installed (2 x 128-MB SDRAM)

STANDARD MEMORY PLUS OPTIONAL MEMORY

Up to 4,352-MB of memory is available with the optional installation of PC133-MHz Registered ECC SDRAM memory kits.

STANDARD MEMORY REPLACED WITH OPTIONAL MEMORY

Up to 6,144-MB of memory is available with the removal of the standard 256 MB of memory and the optional installation of PC133-MHz Registered ECC SDRAM memory kits.

NOTE: This chart does not represent all possible memory configurations.

Memory		Slot					
		1	2	3	4	5	6
Standard	256 MB	128 MB	128 MB	Empty	Empty	Empty	Empty
Optional	4,352 MB	128 MB	128 MB	1024 MB	1024 MB	1024 MB	1024 MB
Maximum	6,144 MB	1024 MB	1024 MB	1024 MB	1024 MB	1024 MB	1024 MB

Following are memory options available from Compaq:

- 2048-MB PC133-MHz Registered ECC SDRAM Memory Option Kit (2 x 1024 MB) 201695-B21
- 1024-MB PC133-MHz Registered ECC SDRAM Memory Option Kit (2 x 512 MB) 201694-B21
- 512-MB PC133-MHz Registered ECC SDRAM Memory Option Kit (2 x 256 MB) 201693-B21
- 256-MB PC133-MHz Registered ECC SDRAM Memory Option Kit (2 x 128 MB) 201692-B21

Storage

	<p>0 - 5 6 x 1" Hot Pluggable Hard Drive Bays A 40x IDE CD-ROM Drive B, C Two available half height bays D 3.5" Diskette Drive</p>
	<p>0 - 5 6 x 1" Wide Ultra2 Hot Pluggable Hard Drive Bays A 40x IDE CD-ROM Drive B, C Two available half height bays</p>
	<p>A 40x IDE CD-ROM Drive 0 - 7 6 x 1" Wide Ultra2 Hot Pluggable Hard Drive Bays plus the ML3xx Two Bay Hot Plug SCSI Drive Cage</p>

DRIVE SUPPORT

	Quantity Supported	Position Supported	Controller
Removable Media			
1.44-MB Diskette Drive	Up to 1	D	Integrated
IDE CD-ROM Drive	Up to 2	A, B	Integrated IDE
DVD-ROM Drive Option Kit	Up to 2	A, B	Integrated IDE
ML3xx Internal Two Bay Hot Plug SCSI Drive Cage	Up to 1	B, C	Integrated SCSI
Hard Drives			
<i>Ultra320 Hot Pluggable Drives</i>			
1-inch	Up to 8	0-7	Integrated Dual Channel Wide Ultra3 SCSI Adapter
146.8-GB 10,000 rpm	(With optional ML3xx		Smart Array 532 Controller
72.8-GB 10,000 rpm	Two Bay Hot Plug		Smart Array 5302/128 Controller
36.4-GB 10,000 rpm	SCSI Drive Cage)		Smart Array 5304/256 Controller
72.8-GB 15,000 rpm			Smart Array 5312 Controller
36.4-GB 15,000 rpm			64-bit/66-MHz Dual Channel Wide Ultra3 SCSI Adapter
18.2-GB 15,000 rpm			64-bit/66-MHz Single Channel Wide Ultra3 SCSI Adapter
<i>Ultra320 - Non-Hot Plug</i>			
1-inch	Up to 3	A, B, C	Integrated Dual Channel Wide Ultra3 SCSI Adapter
36.4-GB 10,000 rpm		(Using the A position requires the removal of CD-ROM)	Smart Array 532 Controller
			Smart Array 5302/128 Controller
			Smart Array 5304/256 Controller
			Smart Array 5312 Controller
			64-bit/66-MHz Dual Channel Wide Ultra3 SCSI Adapter
			64-bit/66-MHz Single Channel Wide Ultra3 SCSI Adapter

NOTE: All U320 Universal Hard Drives are backward compatible to U2 or U3 speeds. U320 drives require an optional U320 Smart Array Controller or U320 SCSI HBA to support U320 transfer rates.

Storage

DRIVE SUPPORT *(continued)*

	Quantity Supported	Position Supported	Controller
External Storage			
StorageWorks Enclosure 4300 Family (supports Ultra2/Ultra3 drives only)	Up to 25	External	Smart Array 5302/128 Controller Smart Array 5304/256 Controller Smart Array 5312 Controller 64-bit/66-MHz Dual Channel Wide Ultra3 SCSI Adapter 64-bit/66-MHz Single Channel Wide Ultra3 SCSI Adapter
MSA 1000	Please see the MSA 1000 QuickSpecs below to determine configuration requirements	External	Please see the MSA 1000 QuickSpecs (URL below) for the latest list of supported HBA's
MSA 1000: http://www5.compaq.com/products/quickspecs/11033_div/11033_div.HTML			

Maximum Storage Capacity *(StorageWorks Enclosure 4300) (Hot Plug)*

Internal	1.174 TB (6 x 146GB 1" Ultra 320 hot plug hard drives with standard internal drive cage + 2 x 146.8GB 1" Ultra 320 Hot plug hard drive using the optional ML3xx Two Bay Hot Plug SCSI Drive Cage)		
External	51.380 TB (25 Storage Works Enclosures, each with 14 x 146.8GB Ultra 320 1" drives, utilizing 6 x 4 channel 5300 SCSI controllers, plus integrated external channel for the 25th channel)		
Total	52.554 TB		

	Quantity Supported	Position Supported	Controller
Tape Drives			

NOTE: For an up-to-date listing of the latest O/S Support details for each of the Tape Drives listed below, please see the following:

http://www5.compaq.com/products/quickspecs/North_America/10233.html (North America)

<http://www5.compaq.com/products/quickspecs/Division/10233.html> (Division/World Wide)

NOTE: For an up-to-date listing of the latest O/S Support details for each of the Tape Storage Systems listed below, please see the following:

http://www5.compaq.com/products/quickspecs/North_America/10809.html (North America)

<http://www5.compaq.com/products/quickspecs/Division/10809.html> (Division/World Wide)

Internal AIT 100-GB, Hot Plug	Up to 2	0+1, 2+3	Smart Array 532 Controller
Internal AIT 50-GB, Hot Plug	Up to 3	0+1, 2+3, 6+7	Smart Array 5302/128 Controller
Internal AIT 35-GB, LVD Hot Plug	(With optional ML3xx		Smart Array 5304/256 Controller
Internal 20/40-GB DAT Drive, Hot Plug	Two Bay Hot Plug SCSI Drive Cage)		Smart Array 5312 Controller 64-bit/66-MHz Dual Channel Wide Ultra3 SCSI Adapter 64-bit/66-MHz Single Channel Wide Ultra3 SCSI Adapter NOTE: The Smart Array 532 Controller does not support the AIT 100-GB Hot Plug Tape Drive.
AIT 100-GB Internal	Up to 2	B, C	Integrated Dual Channel Wide Ultra3 SCSI Adapter
AIT 50-GB Internal			64-bit/66-MHz Dual Channel Wide Ultra3 SCSI Adapter
AIT 35-GB LVD Internal			64-bit/66-MHz Single Channel Wide Ultra3 SCSI Adapter
SDLT 110/220-GB, Internal	Up to 1	B, C	64-bit/66-MHz Dual Channel Wide Ultra3 SCSI Adapter 64-bit/66-MHz Single Channel Wide Ultra3 SCSI Adapter
20/40-GB DAT DDS-4 8 Cassette Autoloader	Up to 1	B, C	Integrated Dual Channel Wide Ultra3 SCSI Adapter 64-bit/66-MHz Dual Channel Wide Ultra3 SCSI Adapter 64-bit/66-MHz Single Channel Wide Ultra3 SCSI Adapter
20/40-GB DAT DDS-4 8 Cassette Autoloader	1	External	Integrated Dual Channel Wide Ultra3 SCSI Adapter 64-bit/66-MHz Dual Channel Wide Ultra3 SCSI Adapter 64-bit/66-MHz Single Channel Wide Ultra3 SCSI Adapter
Internal 40/80-GB DLT Enhanced	1	B, C (two bays)	Integrated Dual Channel Wide Ultra3 SCSI Adapter 64-bit/66-MHz Dual Channel Wide Ultra3 SCSI Adapter 64-bit/66-MHz Single Channel Wide Ultra3 SCSI Adapter
AIT 100-GB External	1	External	Integrated Dual Channel Wide Ultra3 SCSI Adapter
AIT 50-GB External			64-bit/66-MHz Dual Channel Wide Ultra3 SCSI Adapter
AIT 35-GB, LVD External			64-bit/66-MHz Single Channel Wide Ultra3 SCSI Adapter
HP StorageWorks AIT 35 GB Autoloader	Up to 1 (for a single HBA) Up to 2 (for a dual HBA)	External	64-bit/66-MHz Dual Channel Wide Ultra3 SCSI Adapter 64-bit/66-MHz Single Channel Wide Ultra3 SCSI Adapter
SDLT 110/220-GB, External	Up to 2	External	64-bit/66-MHz Dual Channel Wide Ultra3 SCSI Adapter 64-bit/66-MHz Single Channel Wide Ultra3 SCSI Adapter

Storage

DRIVE SUPPORT *(continued)*

	Quantity Supported	Position Supported	Controller
Tape Drives <i>(continued)</i>			
External 40/80-GB DLT Enhanced	Up to 3	External	Integrated Dual Channel Wide Ultra3 SCSI Adapter 64-bit/66-MHz Dual Channel Wide Ultra3 SCSI Adapter 64-bit/66-MHz Single Channel Wide Ultra3 SCSI Adapter
DLT1 1280 SuperLoader	Up to 2	External	64-bit/66-MHz Dual Channel Wide Ultra3 SCSI Adapter 64-bit/66-MHz Single Channel Wide Ultra3 SCSI Adapter
SSL2020 AIT Library	Up to 5	External	64-bit Dual Channel Wide Ultra2 SCSI Adapter 64-bit/66-MHz Dual Channel Wide Ultra3 SCSI Adapter SAN Access Module for Smart Array 5302 Controller
MSL5026DLX (40/80GB DLT-based) MSL5026SL (SDLT-based) Library MSL5052SL (SDLT-based) Library MSL5052SL (SDLT-based) Library MSL5052S2 (SDLT-based) Library MSL5030L1 (LTO-based) Library MSL5060L1 (LTO-based) Library	2 drives per SCSI channel	External	64-Bit/66-MHz Dual Channel Wide Ultra3 SCSI Adapter

Power Specifications

POWER SPECIFICATIONS

Part Number	216068-001
Spare Kit	230993-B21
Operational Input Voltage Range (V rms)	90 to 264
Frequency Range (Nominal) (Hz)	47 to 63 (50/60)

Nominal Input Voltage (Vrms)	100	115	208	220	230	240
Max Rated Output Wattage Rating	500	500	500	500	500	500
Nominal Input Current (A rms)	8.1	6.9	3.8	3.5	3.4	3.2
Max Rated Input Wattage Rating (Watts)	794	781	769	758	758	758
Max. Rated VA (Volt-Amp)	810	797	785	773	773	773
Efficiency (%)	63	64	65	66	66	66
Power Factor	0.98	0.98	0.98	0.98	0.98	0.98
Leakage Current (mA)	0.30	0.35	0.63	0.67	0.70	0.73
Maximum Inrush Current (A peak)	25	25	25	25	25	25
Maximum Inrush Current duration	20	20	20	20	20	20

SYSTEM SPECIFICATIONS

ProLiant ML370 Generation 2 Fully Configured

Up to 2 Processors, 6 Memory Slots, 8 Hard Drives, 4 PCI Slots, and 2 Hot Plug Power Supplies

Nominal Input Voltage (Vrms)	100	115	208	220	230	240
Fully Loaded System Input Wattage (W)	704	693	682	672	672	672
Fully Loaded System Thermal (BTU-Hr)	2399	2362	2325	2290	2290	2290
System Leakage with all power supplies loaded (mA)	0.61	0.70	1.27	1.34	1.40	1.46
System Inrush Current with all power supplies loaded (A)	50	50	50	50	50	50
Power cord requirements	Nema 5-15P to IEC320-C13 Option no./Spare no.: See Chart below					
	IEC320-C13 to IEC320-C14 Option no./Spare no.: 142257-002/142258-B21					

Notes:

* - To review typical system power ratings use the Active Answers Power Calculator which is available via the online tool located at URL:

<http://activeanswers.compaq.com/aaconfiguratorcode/>

To drill down to calculators:

- Click on: "ProLiant Servers"
- Click on the Server of interest. Example: ML370 G2
- Click on: "Power Calculator" link. (You may need to scroll down to see it)

Technical Specifications

System Unit Tower	Dimensions	18.46 x 8.69 x 28 in/46.88 x 22.07 x 71.12 cm		
	Weight	70 lb/31.75 kg (without hard drives, no RPS)		
	Input Requirements	Range Line Voltage	90 to 264 VAC	
		Rated Input Voltage	90 to 264 VAC	
		Rated Input Frequency	47 to 63 Hz	
		Rated Input Current	7.3A (110 V) to 3.6A (220 V)	
		Rated Input Power	800W	
	BTU Rating	2,732 BTU/HR		
	SCSI Connectors	Two Internal HD68 connectors and One External VHDCI Connector supporting Ultra3		
	Power Supply Output Power	Steady State Power	500 W	
		Maximum Peak Power	550W	
	Temperature Range	Operating	41° to 95° F/5° to 35° C	
		Shipping	-40° to 185° F/-40° to 85° C	
	Relative Humidity (non-condensing)	Operating	5% to 95%	
		Non-operating	5% to 95%	
Maximum Wet Bulb Temperature	101.7°F/38.7°C			
Acoustic Noise	Idle			
	(Fixed Disk Drives Spinning)			
	L_{WA}d (BELS)	5.9		
	L_{pAm} (dBA)	41		
	Operating			
	(Random Seeks to Fixed Disks)			
L_{WA}d (BELS)	6.0			
L_{pAm} (dBA)	42			

Technical Specifications

System Unit Rack	Dimensions	8.69 x 19.0 x 25.75 in/22.07 x 48.26 x 65.43 cm		
	Weight	65 lb/29.48 (without hard drives, no RPS)		
	Input Requirements	Range Line Voltage	90 to 264 VAC	
		Rated Input Voltage	90 to 264 VAC	
		Rated Input Frequency	47 to 63 Hz	
		Rated Input Current	7.3A (110 V) to 3.6A (220 V)	
		Rated Input Power	800W	
	BTU Rating	2,732 BTU/HR		
	SCSI Connectors	Two Internal HD68 connectors and One External VHDCI Connector supporting Ultra3		
	Power Supply Output Power	Steady-State Power	500 W	
		Maximum Peak Power	550W	
	Temperature Range	Operating	41° to 95° F/5° to 35° C	
		Shipping	-40° to 185° F/-40° to 85° C	
	Relative Humidity (non-condensing)	Operating	5% to 95%	
Non-operating		5% to 95%		
Maximum Wet Bulb Temperature	101.7°F/38.7°C			
Acoustic Noise	Idle			
	(Fixed Disk Drives Spinning)			
	L _{WA} d (BELS)	5.9		
	L _{pAm} (dBA)	41		
	Operating			
	(Random Seeks to Fixed Disks)			
L _{WA} d (BELS)	6.0			
L _{pAm} (dBA)	42			
Optional Redundant Power Supply	Input Requirements	Rated Input Voltage	90 to 264 VAC	
		Rated Input Frequency	47 to 63 Hz	
		Rated Input Current	7.3A (110 V) to 3.6A (220 V)	
		Rated Input Power	800W	
	BTU Rating	2,732 BTU/HR		
	Power Supply Output Power	Steady State Power	500 W	
		Maximum Peak Power	550W	
	Temperature Range	Operating	41° to 95° F/5° to 35° C	
		Shipping	-40° to 185° F/-40° to 85° C	
	Relative Humidity (non-condensing)	Operating	5% to 95%	
Non-operating		5% to 95%		
Maximum Wet Bulb Temperature	101.7° F/38.7° C			

Technical Specifications

1.44-MB Diskette Drive	Diskette Size	3.5 in		
	LED Indicators (front panel)	Green		
	Read/Write Capacity per Diskette (high/low density)	1.44 MB/720 KB		
	Drive Supported	One		
	Drive Height	One-third		
	Drive Rotation	300 rpm		
	Transfer Rate (high/low)	500/250 Kb/s		
	Bytes/Sector	512		
	Sectors/Track (high/low)	18/9		
	Tracks/Side (high/low)	80/80		
	Access Times	Track-to-Track (high/low)	3/6 ms	
		Average (high/low)	94/169 ms	
		Settling Time	15 ms	
		Latency Average	100 ms	
Cylinders (high/low)	80/80			
Read/Write Heads	Two			
40X Max IDE CD-ROM Drive	Disk	Applicable Disk	CD-ROM, CD-XA, CD-DA (Mode 1, Mode 2, Form 1 and 2) Photo CD (Single and Multi-session) Mixed Mode (Audio and Data combined) CD-R	
		Capacity	540 MB (Mode 1, 12 cm) 650 MB (Mode 2, 12 cm)	
	Block Size	Mode 1	2,048 bytes	
		Mode 2	2,340 bytes, 2,336 bytes	
		CD-DA	2,352 bytes	
		CD-XA	2,328 bytes	
	Interface	IDE (ATAPI)		
	Access Times (typical)	Random	100 ms	
		Full-Stroke	150 ms	
	Audio Output Level	Line-Out	0.7 VRMS at 47 kOhms	
	Data Transfer Rate	Sustained	150 KB/s (1X audio)	
		Burst	16.67 Mbytes/sec	
	Cache Buffer	128 KB		
	Start-up Time (typical)	< 7 seconds		
	Stop Time	< 4 seconds		
	Laser Parameters	Type	Semiconductor Laser GaAlAs	
		Wave Length	780 ± 25 nm	
	Operating Conditions	Temperature	41° to 113° F/5° to 45° C	
		Humidity	10% to 80%	
Dimensions	(HxWxD, maximum)	1.7 x 5.85 x 8.11 in/4.29 x 150 x 208 cm		
	Weight	2.09 lb/0.95 kg		

Technical Specifications

Integrated Dual Channel Wide Ultra3 SCSI Adapter	Drives Supported	Up to 15 SCSI devices per channel
	Data Transfer Method	64-bit PCI bus-master
	SCSI Channel Transfer Rate	160 MB/s per channel
	Maximum Transfer Rate per PCI Bus (peak)	267 MB/s
	SCSI Termination	Active Termination
	SCSI Connectors	1 external, 2 internal (68-pin)
Compaq NC3163 Fast Ethernet NIC Embedded 10/100 WOL (Wake On LAN)	Network Interface	10Base-T/100Base-TX
	Compatibility	IEEE 802.3/802.3u compliant
	Data Transfer Method	32-bit bus-master PCI
	Network Transfer Rate	
	10Base-T (Half-Duplex)	10 Mb/s
	10Base-T (Full-Duplex)	20 Mb/s
	100Base-TX (Half-Duplex)	100 Mb/s
	100Base-TX (Full-Duplex)	200 Mb/s
	Connector	RJ-45
	Cable Support	
10Base-T	Categories 3, 4 or 5 UTP; up to 328 feet (100 meters)	
100Base-TX	Category 5 UTP; up to 328 feet (100 meters)	
Video Controller	Controller Chip	ATI RAGE XL
	Video DRAM	8 MB Video SDRAM
	Data Transfer Method	32-bit PCI
	Support Resolution	Supported Color Depths:
	640 x 480	16.7M, 64K, 256, 16
	800 x 600	16.7M, 64K, 256, 16
	1024 x 768	16.7M, 64K, 256, 16
	1152 x 864	16.7M, 64K, 256, 16
	1280 x 1024	16.7M, 64K, 256, 16
	1600 x 1200	64K, 256, 16
Connector	VGA	

© 2003 Hewlett-Packard Company

Hewlett-Packard, the Hewlett-Packard logo, ActiveUpdate, Insight Manager, CarePaq, ProLiant, ROMPaq, SmartStart and StorageWorks are trademarks of Hewlett-Packard Company in the U.S. and/or other countries. Microsoft and Windows NT are registered trademarks or trademarks of Microsoft Corporation in the U.S. and/or other countries. Intel and Pentium are registered trademarks or trademarks of Intel Corporation in the U.S. and/or other countries. Novell and NetWare are registered trademarks or trademarks of Novell, Inc. in the U.S. and/or other countries. SuSE and its logo are registered trademarks or trademarks of SuSE AG in the U.S. and/or other countries. Linux is a registered trademark or trademark of Linus Torvalds in the U.S. and/or other countries. Caldera and SCO are registered trademarks or trademarks of Caldera International, Inc., in the U.S. and/or other countries. Red Hat is a registered trademark or trademark of Red Hat Inc., in the U.S. and/or other countries. All other product names mentioned herein may be trademarks of their respective companies.

Hewlett-Packard shall not be liable for technical or editorial errors or omissions contained herein. The information is provided "as is" without warranty of any kind and is subject to change without notice. The warranties for Hewlett-Packard products are set forth in the express limited warranty statements accompanying such products. Nothing herein should be construed as constituting an additional warranty.