

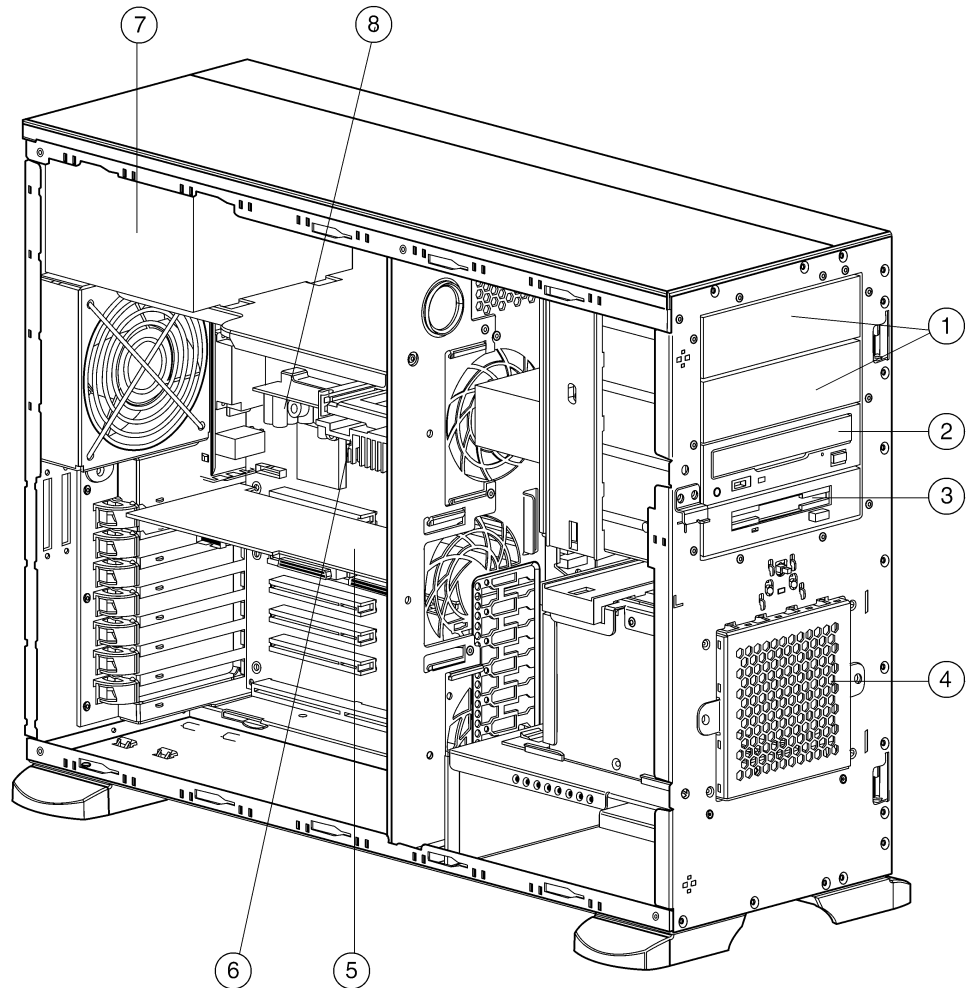
Overview

What's New

- Intel Pentium® III 933 MHz processors
(dual processor capability)

At A Glance

- The affordable two-way server that powers your applications today and anticipates your needs for tomorrow
- Intel Pentium III 933 MHz, 866 MHz, or 800 MHz processors
- ServerWorks (RCC) 3.0 Chipset with 133-MHz Front Side Bus
- Hot Plug Models available
- "Price Break" Bundled Models with 12/24-GB DAT Tape Drive and Veritas Backup Exec QuickStart Edition software (NA only)
- 256-KB second-level ECC cache standard (full speed)
- 133-MHz GTL Bus Design
- 128-MB PC133-MHz Registered ECC SDRAM DIMM memory standard, expandable to 2-GB
- Seven total slots: two 64-bit PCI, four 32-bit PCI, and one ISA slot (ISA slot dimensions: 12.283 in / 312 mm)
- Compaq NC3163 Fast Ethernet NIC (embedded) PCI 10/100 WOL (Wake On LAN)
- Integrated Dual Channel Wide Ultra2 SCSI Adapter
- Support for up to four 1" Wide Ultra2/Ultra3 SCSI hard drives
- Internal storage capacity of up to 145.6-GB
- Internal mass storage capacity of up to 218.4 GB (including the two removable media bays)
- Standard 4 x 1" Drive Cage (Hot Plug or Non-Hot Plug depending on model)
- Compaq Insight Manager, SmartStart and Automatic Server Recovery (ASR)
- Protected by Compaq Services, including a three-year, next business day, on-site, limited global warranty and extended Pre-Failure Warranty which covers processors, memory, and hard drives — Certain restrictions and exclusions apply. Consult the Compaq Customer Support Center at 1-800-345-1518 for details.



1. 5.25-inch Available Removable Media Bays
2. 32x or 40x IDE CD-ROM
3. 1.44-MB Diskette Drive
4. 4 x 1" Hot Plug or Non-Hot Plug Hard Drive Cage
5. Server Feature Board
6. Processor with Heatsink
7. 300-Watt Power Factor Correction (PFC) Power Supply
8. Processor Power Module

Standard Features

Processor <i>One of the following</i>	Intel Pentium III 933 MHz Processor Intel Pentium III 866 MHz Processor Intel Pentium III 800 MHz Processor	
Cache Memory	Integrated 256-KB Level 2 ECC cache (full speed)	
Upgradability	Upgradable to dual processing	
Memory	Standard Maximum	128 MB (PC133-MHz ECC Registered SDRAM DIMM memory) 2 GB
Network Controller	Compaq NC3163 Fast Ethernet NIC (embedded) PCI 10/100 WOL (Wake On LAN)	
Expansion Slots	I/O (Total) 64-bit, PCI 32-bit, PCI ISA <i>(ISA slot dimensions: 12.283 in /312 mm)</i>	7 (6 available) 2 (2 available) 4 (3 available) 1 (1 available)
Storage Controller	Integrated Dual Channel Wide Ultra2 SCSI Adapter	
Storage <i>One of the following</i>	Diskette Drives CD-ROM Hard Drives Maximum Internal Storage	1.44 MB 32x or 40x IDE CD-ROM Drive None 9.1 GB Wide Ultra2 SCSI (7200 rpm) 1" NHP Hard Drive 145.6 GB (internal drive cage only) 218.4 GB (internal drive cage in addition to placing 36.4-GB (1") hard drives in the two removable media bays; brackets required to place these drives come in the bezel blanks that come with the server)
Interfaces	Parallel Serial Pointing Device (Mouse) Graphics Hot Plug Keyboard Network RJ-45	1 2 1 1 1 1
Graphics	Integrated ATI RAGE IIC Video Controller with 4-MB Video Memory	
Form Factor	Tower or optional 5U rack conversion kit (158438-B21)	
Compaq Software	Compaq <i>Insight Manager</i> [™] Compaq <i>Insight Manager XE</i> [™] Compaq <i>SmartStart</i> [™] Array Configuration Utility (ACU) with Smart Array Controllers	The comprehensive system management tool that monitors the operation of Compaq servers, and clients Compaq Insight Manager XE leverages the power of the Internet to provide web-based systems management, and plays a key role in Compaq's strategy to simplify IT management. Compaq Insight Manager XE reduces systems management cost, improves operational efficiency and effectiveness, and minimizes systems downtime. The server configuration and software integration tool from Compaq SmartStart version supported (minimum): SmartStart 4.80 Same easy to use yet powerful graphical user interface (GUI) configuration utility and easy to navigate wizards for all Smart Array Controllers

Standard Features

Industry Standard Compliance ACPI 2.0 Compliant
PCI 2.2 Compliant
WOL Support
Microsoft Logo certifications

Manageability Compaq Insight Manager
Compaq Insight Manager XE
Automatic Server Recovery (ASR)
Drive Parameter Tracking (with Smart Array Controller)
Dynamic Sector Repairing (with Smart Array Controller)
Pre-Failure Warranty (covers processors, memory and hard drives)

Security Power-on password
Setup password
Diskette boot control
Parallel and serial interface control
Disk configuration lock
Power switch security

Power Supply 300 Watts, Power Factor Correction (PFC), 100 to 240 VAC Rated Input Voltage (Auto-sensing), CE Mark Compliant

Required Cabling For required cabling information, refer to the Compaq Web site at <http://www.compaq.com/products/servers/proliantML350>.
Note: This Web site is available in English only.

OS Support Microsoft Windows NT Server
Microsoft BackOffice Small Business Server
Microsoft Windows 2000
Novell NetWare
Novell NetWare Small Business Suite
SCO OpenServer 5.0.5
SCO UnixWare
IBM OS/2 Warp Family
LINUX (RedHat, S.U.S.E., TurboLinux Server, Caldera eServer)

Note: For a more complete and up-to-date listing of supported OSs and versions, please visit our OS Support Matrix at: <ftp://ftp.compaq.com/pub/products/servers/os-support-matrix-310.pdf>.

Note: For an up-to-date listing of the latest drivers available for the Compaq ProLiant ML350, please see: <http://www.compaq.com/support/files/server/us/index.html>.

Bundled Models include Certain ProLiant ML350 Models ship with a Tape Bundle package at a substantially discounted price (available in North America only). This package includes the Compaq 12/24-GB DAT Tape Drive and VERITAS Backup Exec Quick Start Edition Software.

Note: For details on the software, please see: ftp://ftp.compaq.com/pub/products/servers/QuickStart_Edition_Details.pdf

Service and Support Compaq Services provides a wide range of service offerings, including a three-year, limited warranty, fully supported by a worldwide network of resellers and service providers, lifetime toll-free 7 x 24 hardware technical phone support, and Pre-Failure Warranty coverage of hard drives, memory, and processors. Disaster recovery services are available through partnership with Comdisco.

Note: Certain restrictions and exclusions apply. Consult the Compaq Customer Support Center at 1-800-345-1518 for details.

Standard Features

ML350T01 P933-256KB, 128MB HP <i>170476-xx1</i>	Processor	(1) Intel Pentium III 933 MHz Processor standard (up to 2 supported)
	Cache Memory	Integrated 256-KB Level 2 ECC
	Memory	128 MB (Standard) to 2 GB (Maximum) PC133-MHz ECC Registered SDRAM DIMM
	Network Controller	Compaq NC3163 Fast Ethernet NIC (embedded) PCI 10/100 WOL
	Storage Controller	Integrated Dual Channel Wide Ultra2 SCSI Adapter
	Hard Drive	None ship standard
	Internal Storage	218.4 GB maximum (with optional hard drives)
	Optical Drive	32x or 40x IDE CD-ROM Drive
	Form Factor	Tower or optional 5U rack conversion kit

ML350T01 P933-256KB, 128MB NHP 9.1GB Tape <i>170475-003</i> Note: NA Model only.	Processor	(1) Intel Pentium III 933 MHz Processor standard (up to 2 supported)
	Cache Memory	Integrated 256-KB Level 2 ECC
	Memory	128 MB (Standard) to 2 GB (Maximum) PC133-MHz ECC Registered SDRAM DIMM
	Network Controller	Compaq NC3163 Fast Ethernet NIC (embedded) PCI 10/100 WOL
	Storage Controller	Integrated Dual Channel Wide Ultra2 SCSI Adapter
	Hard Drive	(1) 9.1 GB Wide Ultra2 (7200 rpm) SCSI 1" NHP Hard Drive ships standard
	Internal Storage	218.4 GB maximum (with optional hard drives)
	Bundled with	12/24-GB DAT Tape Drive and VERITAS Backup Exec Quick Start Edition Software Note: For details on the software, please see: ftp://ftp.compaq.com/pub/products/servers/QuickStart_Edition_Details.pdf
	Optical Drive	32x or 40x IDE CD-ROM Drive
Form Factor	Tower or optional 5U rack conversion kit	

ML350T01 P933-256KB, 128MB 9.1GB NHP <i>170475-xx2</i> Note: Model not available in North America.	Processor	(1) Intel Pentium III 933 MHz Processor standard (up to 2 supported)
	Cache Memory	Integrated 256-KB Level 2 ECC
	Memory	128 MB (Standard) to 2 GB (Maximum) PC133-MHz ECC Registered SDRAM DIMM
	Network Controller	Compaq NC3163 Fast Ethernet NIC (embedded) PCI 10/100 WOL
	Storage Controller	Integrated Dual Channel Wide Ultra2 SCSI Adapter
	Hard Drive	(1) 9.1 GB Wide Ultra2 (7200 rpm) 1" NHP Hard Drive ships standard
	Internal Storage	218.4 GB maximum (with optional hard drives)
	Optical Drive	32x or 40x IDE CD-ROM Drive
	Form Factor	Tower or optional 5U rack conversion kit

ML350T01 P933-256KB, 128MB NHP <i>170475-xx1</i>	Processor	(1) Intel Pentium III 933 MHz Processor standard (up to 2 supported)
	Cache Memory	Integrated 256-KB Level 2 ECC
	Memory	128 MB (Standard) to 2 GB (Maximum) PC133-MHz ECC Registered SDRAM DIMM
	Network Controller	Compaq NC3163 Fast Ethernet NIC (embedded) PCI 10/100 WOL
	Storage Controller	Integrated Dual Channel Wide Ultra2 SCSI Adapter
	Hard Drive	None ship standard
	Internal Storage	218.4 GB maximum (with optional hard drives)
	Optical Drive	32x or 40x IDE CD-ROM Drive
	Form Factor	Tower or optional 5U rack conversion kit

Standard Features

**ML350T01 P866-256KB,
128MB 9.1GB HP**

159843-xx2

Note: Model not available in
North America.

Processor	(1) Intel Pentium III 933 MHz Processor standard (up to 2 supported)
Cache Memory	Integrated 256-KB Level 2 ECC
Memory	128 MB (Standard) to 2 GB (Maximum) PC133-MHz ECC Registered SDRAM DIMM
Network Controller	Compaq NC3163 Fast Ethernet NIC (embedded) PCI 10/100 WOL
Storage Controller	Integrated Dual Channel Wide Ultra2 SCSI Adapter
Hard Drive	(1) 9.1 GB Wide Ultra2 (7200 rpm) SCSI 1" HP Hard Drive
Internal Storage	218.4 GB maximum (with optional hard drives)
Optical Drive	32x or 40x IDE CD-ROM Drive
Form Factor	Tower or optional 5U rack conversion kit

**ML350T01 P866-256KB,
128MB HP**

159843-xx1

Processor	(1) Intel Pentium III 866 MHz Processor standard (up to 2 supported)
Cache Memory	Integrated 256-KB Level 2 ECC
Memory	128 MB (Standard) to 2 GB (Maximum) PC133-MHz ECC Registered SDRAM DIMM
Network Controller	Compaq NC3163 Fast Ethernet NIC (embedded) PCI 10/100 WOL
Storage Controller	Integrated Dual Channel Wide Ultra2 SCSI Adapter
Hard Drive	None ship standard
Internal Storage	218.4 GB maximum (with optional hard drives)
Optical Drive	32x or 40x IDE CD-ROM Drive
Form Factor	Tower or optional 5U rack conversion kit

**ML350T01 P866-256KB,
128MB NHP 9.1GB Tape**

159844-003

Note: NA Model only.

Processor	(1) Intel Pentium III 866 MHz Processor standard (up to 2 supported)
Cache Memory	Integrated 256-KB Level 2 ECC
Memory	128 MB (Standard) to 2 GB (Maximum) PC133-MHz ECC Registered SDRAM DIMM
Network Controller	Compaq NC3163 Fast Ethernet NIC (embedded) PCI 10/100 WOL
Storage Controller	Integrated Dual Channel Wide Ultra2 SCSI Adapter
Hard Drive	(1) 9.1 GB Wide Ultra2 (7200 rpm) SCSI 1" NHP Hard Drive
Internal Storage	218.4 GB maximum (with optional hard drives)
Bundled with	12/24-GB DAT Tape Drive and VERITAS Backup Exec Quick Start Edition Software Note: For details on the software, please see: ftp://ftp.compaq.com/pub/products/servers/QuickStart_Edition_Details.pdf
Optical Drive	32x or 40x IDE CD-ROM Drive
Form Factor	Tower or optional 5U rack conversion kit

**ML350T01 P866-256KB,
128MB 9.1GB NHP**

159844-xx2

Note: Model not available in
North America.

Processor	(1) Intel Pentium III 866 MHz Processor standard (up to 2 supported)
Cache Memory	Integrated 256-KB Level 2 ECC
Memory	128 MB (Standard) to 2 GB (Maximum) PC133-MHz ECC Registered SDRAM DIMM
Network Controller	Compaq NC3163 Fast Ethernet NIC (embedded) PCI 10/100 WOL
Storage Controller	Integrated Dual Channel Wide Ultra2 SCSI Adapter
Hard Drive	(1) 9.1 GB Wide Ultra2 (7200 rpm) SCSI 1" NHP Hard Drive
Internal Storage	218.4 GB maximum (with optional hard drives)
Optical Drive	32x or 40x IDE CD-ROM Drive
Form Factor	Tower or optional 5U rack conversion kit

Standard Features

ML350T01 P866-256KB, 128MB NHP <i>159844-xx1</i>	Processor	(1) Intel Pentium III 866 MHz Processor standard (up to 2 supported)
	Cache Memory	Integrated 256-KB Level 2 ECC
	Memory	128 MB (Standard) to 2 GB (Maximum) PC133-MHz ECC Registered SDRAM DIMM
	Network Controller	Compaq NC3163 Fast Ethernet NIC (embedded) PCI 10/100 WOL
	Storage Controller	Integrated Dual Channel Wide Ultra2 SCSI Adapter
	Hard Drive	None ship standard
	Internal Storage	218.4 GB maximum (with optional hard drives)
	Optical Drive	32x or 40x IDE CD-ROM Drive
	Form Factor	Tower or optional 5U rack conversion kit

ML350T01 P800-256KB, 128MB 9.1GB HP <i>159845-xx2</i> Note: Model not available in North America.	Processor	(1) Intel Pentium III 800 MHz Processor standard (up to 2 supported)
	Cache Memory	Integrated 256-KB Level 2 ECC
	Memory	128 MB (Standard) to 2 GB (Maximum) PC133-MHz ECC Registered SDRAM DIMM
	Network Controller	Compaq NC3163 Fast Ethernet NIC (embedded) PCI 10/100 WOL
	Storage Controller	Integrated Dual Channel Wide Ultra2 SCSI Adapter
	Hard Drive	(1) 9.1 GB Wide Ultra2 (7200 rpm) SCSI 1" HP Hard Drive
	Internal Storage	218.4 GB maximum (with optional hard drives)
	Optical Drive	32x or 40x IDE CD-ROM Drive
	Form Factor	Tower or optional 5U rack conversion kit

ML350T01 P800-256KB, 128MB HP <i>159845-xx1</i>	Processor	(1) Intel Pentium III 800 MHz Processor standard (up to 2 supported)
	Cache Memory	Integrated 256-KB Level 2 ECC
	Memory	128 MB (Standard) to 2 GB (Maximum) PC133-MHz ECC Registered SDRAM DIMM
	Network Controller	Compaq NC3163 Fast Ethernet NIC (embedded) PCI 10/100 WOL
	Storage Controller	Integrated Dual Channel Wide Ultra2 SCSI Adapter
	Hard Drive	None ship standard
	Internal Storage	218.4 GB maximum (with optional hard drives)
	Optical Drive	32x or 40x IDE CD-ROM Drive
	Form Factor	Tower or optional 5U rack conversion kit

ML350T01 P800-256KB, 128MB NHP 9.1GB Tape <i>159846-003</i> Note: NA Model only.	Processor	Intel Pentium III 800 MHz Processor standard (up to 2 supported)
	Cache Memory	Integrated 256-KB Level 2 ECC
	Memory	128 MB (Standard) to 2 GB (Maximum) PC133-MHz ECC Registered SDRAM DIMM
	Network Controller	Compaq NC3163 Fast Ethernet NIC (embedded) PCI 10/100 WOL
	Storage Controller	Integrated Dual Channel Wide Ultra2 SCSI Adapter
	Hard Drive	(1) 9.1 GB Wide Ultra2 (7200 rpm) SCSI 1" NHP Hard Drive
	Internal Storage	218.4 GB maximum (with optional hard drives)
	Bundled with	12/24-GB DAT Tape Drive and VERITAS Backup Exec Quick Start Edition Software Note: For details on the software, please see: ftp://ftp.compaq.com/pub/products/servers/QuickStart_Edition_Details.pdf
	Optical Drive	32x or 40x IDE CD-ROM Drive
Form Factor	Tower or optional 5U rack conversion kit	

Standard Features

**ML350T01 P800-256KB,
128MB 9.1GB NHP**

159846-xx2

Note: Model not available in
North America.

Processor	(1) Intel Pentium III 800 MHz Processor standard (up to 2 supported)
Cache Memory	Integrated 256-KB Level 2 ECC
Memory	128 MB (Standard) to 2 GB (Maximum) PC133-MHz ECC Registered SDRAM DIMM
Network Controller	Compaq NC3163 Fast Ethernet NIC (embedded) PCI 10/100 WOL
Storage Controller	Integrated Dual Channel Wide Ultra2 SCSI Adapter
Hard Drive	(1) 9.1 GB Wide Ultra2 (7200 rpm) SCSI 1" NHP Hard Drive
Internal Storage	218.4 GB maximum (with optional hard drives)
Optical Drive	32x or 40x IDE CD-ROM Drive
Form Factor	Tower or optional 5U rack conversion kit

**ML350T01 P800-256KB,
128MB NHP**

159846-xx1

Processor	(1) Intel Pentium III 800 MHz Processor standard (up to 2 supported)
Cache Memory	Integrated 256-KB Level 2 ECC
Memory	128 MB (Standard) to 2 GB (Maximum) PC133-MHz ECC Registered SDRAM DIMM
Network Controller	Compaq NC3163 Fast Ethernet NIC (embedded) PCI 10/100 WOL
Storage Controller	Integrated Dual Channel Wide Ultra2 SCSI Adapter
Hard Drive	None ship standard
Internal Storage	218.4 GB maximum (with optional hard drives)
Optical Drive	32x or 40x IDE CD-ROM Drive
Form Factor	Tower or optional 5U rack conversion kit

Country Code Key

XX=00	U.S. English
XX=01	Australia
XX=02	Int'l
XX=03	UK
XX=04	Germany
XX=05	France
XX=37	APD
XX=29	Japan
XX=AA	PRC

Options

ProLiant ML350 Unique Options	Compaq ProLiant ML350 Hot Plug Drive Cage Upgrade Option Kit (4 x 1")	161275-B21
	Compaq ProLiant ML350 Tower to Rack Conversion Kit	158438-B21
	ProLiant ML350 Internal to External SCSI Cable Option Kit	159547-B21
Processor	P933 Pentium III 256K Processor Option Kit <i>Note: This processor option kit (PN 161086-B21) supports the ProLiant ML350 (1st generation), ProLiant ML370, and ProLiant DL380 servers.</i>	161086-B21
	P866 Pentium III 256K Processor Option Kit <i>Note: This processor option kit (PN 161085-B21) supports the ProLiant ML350 (1st generation), ProLiant ML370, and ProLiant DL380 servers.</i>	161085-B21
	P800 Pentium III 256K Processor Option Kit <i>Note: This processor option kit (PN 161084-B21) supports the ProLiant ML350 (1st generation), ProLiant ML370, and ProLiant DL380 servers.</i>	161084-B21
	P733 Pentium III 256K Processor Option Kit <i>Note: This processor option kit (PN 161083-B21) supports the ProLiant ML350 (1st generation), ProLiant ML370, and ProLiant DL380 servers.</i>	161083-B21
	P667 Pentium III 256K Processor Option Kit <i>Note: This option kit is made available for those customers that have purchased a ProLiant ML350 667 MHz (667-MHz models are <i>only</i> available directly or configured through the Web from Compaq). <i>Note: This processor option kit (PN 159756-B21) supports the ProLiant ML350 (1st generation), and ProLiant ML370 servers.</i></i>	159756-B21
Memory (DIMMs)	512-MB PC133-MHz Registered ECC SDRAM DIMM Memory Option Kit	128279-B21
	256-MB PC133-MHz Registered ECC SDRAM DIMM Memory Option Kit	128278-B21
	128-MB PC133-MHz Registered ECC SDRAM DIMM Memory Option Kit	128277-B21
	64-MB PC133M-Hz Registered ECC SDRAM DIMM Memory Option Kit	128276-B21
Optical Drives	12X DVD-ROM Drive Option Kit (Carbon)	217053-B21
Internal Storage	Compaq ProLiant ML350 Hot Plug Drive Cage Upgrade Option Kit (4 x 1") <i>Note: When upgrading a Non-Hot Plug Model to Hot Plug, the purchase of the Hot Plug Drive Cage Upgrade Option Kit (161275-B21) is required to support hot plug (Ultra2/Ultra3) hard drives.</i>	161275-B21
Hard Drives	Wide Ultra3 SCSI – Universal Hot Plug	
	36.4-GB Wide Ultra3 SCSI 10,000 rpm Drive (1")	176496-B22
	18.2-GB Wide Ultra3 SCSI 10,000 rpm Drive (1")	142673-B22
	9.1-GB Wide Ultra3 SCSI 10,000 rpm Drive (1")	142671-B22
	<i>Note: When upgrading a Non-Hot Plug Model to Hot Plug, the purchase of the Hot Plug Drive Cage Upgrade Option Kit (161275-B21) is required to support hot plug (Ultra2/Ultra3) hard drives.</i>	
	Wide Ultra3 SCSI – Non-Hot Plug	
	36.4-GB Wide Ultra3 SCSI 10,000 rpm Drive (1")	176497-B21
	18.2-GB Wide Ultra3 SCSI 10,000 rpm Drive (1")	142674-B21
	9.1-GB Wide Ultra3 SCSI 10,000 rpm Drive (1")	142672-B21

Options

Hard Drives *(continued)*

Wide Ultra2 SCSI – Universal Hot Plug

18.2-GB Wide Ultra2 SCSI Drive (1")	388144-B22
9.1-GB Wide Ultra2 SCSI Drive (1")	123065-B22

Note: When upgrading a Non-Hot Plug Model to Hot Plug, the purchase of the Hot Plug Drive Cage Upgrade Option Kit (161275-B21) is required to support hot plug (Ultra2/Ultra3) hard drives.

Wide Ultra2 SCSI – Non-Hot Plug

18.2-GB Wide Ultra2 SCSI Drive (1")	388143-B21
9.1-GB Wide Ultra2 SCSI Drive (1")	349526-B21

Storage Controllers

Compaq RAID LC2 Controller	188044-B21
Compaq RAID LC2 Controller (Japan)	188044-291
Smart Array 431 Controller	127695-B21
Smart Array 431 Controller (Japan)	127695-291
Smart Array 3200 Controller	295643-B21
Smart Array 3200 Controller (Japan)	295643-291
64-bit/66-MHz Single Channel Wide Ultra3 SCSI Adapter	154457-B21
64-bit/66-MHz Single Channel Wide Ultra3 SCSI Adapter (Japan)	154457-291
64-bit/66-MHz Dual Channel Wide Ultra3 SCSI Adapter	129803-B21
64-bit/66-MHz Dual Channel Wide Ultra3 SCSI Adapter (Japan)	129803-291

Wireless HAP Solution

Compaq WL410 Wireless SMB Access Point (US)	191811-001
Compaq WL410 Wireless SMB Access Point (Australia)	191811-011
Compaq WL410 Wireless SMB Access Point (Europe)	191811-021
Compaq WL410 Wireless SMB Access Point (UK)	191811-031
Compaq WL410 Wireless SMB Access Point (Japan)	191811-291
Compaq WL410 Wireless SMB Access Point (China)	191811-AA1
Compaq WL410 Wireless SMB Access Point (Korea)	191811-AD1
Compaq WL410 Wireless SMB Access Point (S. Africa)	191811-AR1
Compaq WL510 Wireless Enterprise Access Point (US)	216709-001
Compaq WL510 Wireless Enterprise Access Point (Australia)	216709-011
Compaq WL510 Wireless Enterprise Access Point (Europe)	216709-021
Compaq WL510 Wireless Enterprise Access Point (UK)	216709-031
Compaq WL510 Wireless Enterprise Access Point (Italy)	216709-061
Compaq WL510 Wireless Enterprise Access Point (Denmark)	216709-081
Compaq WL510 Wireless Enterprise Access Point (Switzerland)	216709-111
Compaq WL510 Wireless Enterprise Access Point (Japan)	216709-291
Compaq WL510 Wireless Enterprise Access Point (China)	216709-AA1
Compaq WL510 Wireless Enterprise Access Point (Korea)	216709-AD1
Compaq WL510 Wireless Enterprise Access Point (S. Africa)	216709-AR1

Options

Communications	Compaq NC3122 Dual Port Fast Ethernet NIC	317450-B21
	Compaq NC3123 Fast Ethernet NIC PCI 10/100 WOL	174830-B21
	Compaq NC3134 Fast Ethernet NIC 64 PCI Dual Port 10/100	138603-B21
	Compaq NC3135 Fast Ethernet Module Dual 10/100 Upgrade Module for NC3134	138604-B21
	Compaq NC6132 Gigabit Module 1000 SX Upgrade Module for NC3134 and NC3131	338456-B23
	Compaq NC6136 Gigabit Server Adapter, 64-bit/66MHz, PCI, 1000 SX	203539-B21
	Compaq NC7131 Gigabit Server Adapter, 64-bit/66MHz, PCI, 10/100/1000-T	158575-B21
	Compaq NC3133 Fast Ethernet Module 100FX Upgrade Module for NC3134 and NC3131	338456-B25
	Compaq NC4621 Token Ring NIC PCI WOL	379956-B21
	IBM 16/4 Token Ring PCI Special	133749-B21
	56K v.90 PCI Modem (NA only)	171914-001

Internal Tape Drives	Note: In order to install certain tape drives internally, you may need to remove the rails that come standard on the drives and then re-insert the screws in the mounting holes.	
	Internal 20/40-GB DAT DDS-4 Tape Drive	157769-B21
	Internal 12/24-GB DAT Drive (Opal)	295513-B22
	Internal 12/24-GB DAT Drive (Opal) (Japan)	295513-292
	Internal AIT 50-GB Tape Drive	157766-B21
	Internal AIT-35GB, LVD Tape Drive	216884-B21
	Internal 40/80-GB DLT Enhanced Drive	146196-B24
	20/40-GB DAT DDS-4 8 Cassette Autoloader, Internal	166504-B21
	Internal 20/40-GB DLT Drive (Opal)	340743-B22
	Internal 20/40-GB DLT Drive (Opal) (Japan)	340743-292
	12-GB DDS-3 DAT Cassette (10 pack)	295515-B21
	DAT Cleaning Cassette	242781-001
	DDS-4 Media (10 pack)	152842-001
	20/40-GB DAT DDS-4 8 Cassette Magazine with Media	171532-B21
	AIT 50-GB Data Cassette (5 pack)	152841-001
	AIT 35-GB Data Cassette (5 pack)	402371-B21
	AIT Cleaning Cassette	402374-B21
	DLT IV Data Cartridges (single pack)	295194-B21
	DLT IV Data Cartridges (7 pack)	295192-B21
	DLT Cleaning Cartridge	199704-001
	Note: Please see the Compaq 20/40-GB DAT Drive, Compaq 12/24-GB DAT Drive, Compaq AIT 50-GB Tape Drive, Compaq AIT 35-GB LVD Tape Drive, Compaq 20/40-GB DAT DDS-4 8 Cassette Autoloader, Compaq 40/80-GB DLT Drive, or the Compaq 20/40-GB DLT Drive QuickSpecs for a listing of the latest O/S Support details, at: http://www5.compaq.com/products/quickspecs/North_America/10233.html (North America) http://www5.compaq.com/products/quickspecs/Division/10233.html (Division/World Wide).	

Internal Hot Plug Tape Drives (Supported in Hot Plug drive bays)	Internal AIT 50-GB, Hot Plug	215487-B21
	Internal AIT 35-GB, LVD, Hot Plug	216886-B21
	Internal 20/40-GB DAT, Hot Plug	215488-B21
Note: The AIT 50-GB Hot Plug, AIT 35-GB, LVD Hot Plug, and the 20/40-GB DAT Hot Plug drives are also supported internally by the StorageWorks 4200/4300 families. Please see the Compaq Hot Plug Tape QuickSpecs for additional supported options please see the following: http://www5.compaq.com/products/quickspecs/North_America/10233.html (North America) http://www5.compaq.com/products/quickspecs/Division/10233.html (Division/World Wide)		

Options

Management Options	Compaq Remote Insight Lights-Out Edition (NA, LA)	157866-001
	Compaq Remote Insight Lights-Out Edition (EURO)	157866-021
	Compaq Remote Insight Lights-Out Edition (APD, Japan)	157866-371
Monitors	TFT8020 18-inch Flat Panel Monitor (opal)	326100-xxx
	TFT8020 18-inch Flat Panel Monitor (carbon)	159244-xxx
	TFT8020 18-inch Flat Panel Monitor (opal, bulked-packed, two monitor heads per box)	173610-xxx
	TFT7010 17-inch Flat Panel Monitor (opal)	222399-xxx
	TFT5010 15-inch Flat Panel Monitor (opal)	104741-xxx
	TFT5010 15-inch Flat Panel Monitor (carbon)	154486-xxx
	TFT5005 15-inch Flat Panel Monitor (opal)	201431-xxx
	TFT5005 15-inch Flat Panel Monitor (carbon)	201430-xxx
	P1210 Color Monitor	210290-xxx
	P910 Color Monitor	210254-xxx
	P710 Color Monitor	210189-xxx
	V710 Color Monitor	187895-xxx
	V570 Color Monitor	228114-xxx
	S910 Color Monitor	138485-xxx
	S710 Color Monitor	152991-xxx

CRT Country Code Key

NORTH AMERICA (NA) / LATIN AMERICA (LA)

Dash #	Description
-001	NA Kit with US Power Cord
-002	Carbon model with US Power Cord
-003	Touch Screen model with US Power Cord
-004	NAFTA model with US Power Cord (Made in Mexico)
-005	NA Kit with Powered Speakers
-006	GSA model with US Power Cord
-007	NH MPR model with US power cord (Made in Mexico)
-B24	TCO model without power cord (Digital Classic)
-201	EH model for Brazil (older Brazil models used -B29)
-202	EH model for Brazil Carbon (older Brazil models used -B29)
-C91	EH model for Mercosur countries
-C92	EH model for Mercosur countries Carbon
-B29	EH / ALADI model for Latin America

Note: All NA/LA models above are NH.

Options

CRT Country Code Key *(continued)*

EUROPE, MIDDLE EAST AND AFRICA (EMEA)

Dash #	Description
-021	NH / TCO with Eurocord (DCE Hub)
-022	NH / MPR with Eurocord (DCE Hub) (India)
-023	NH Carbon model with Eurocord (DCE Hub)
-024	NH Touch Screen model with Eurocord (DCE Hub)
-025	NH Kit with Speakers and Eurocord
-A91	NH / TCO without power cord (Dubai hub)
-A92	NH / MPR without power cord (Dubai hub)
-031	NH / TCO with UK Cord (UK Hub)
-032	NH / MPR with UK Cord (UK Hub)
-033	NH / TCO carbon with UK Cord
-035	NH Kit with Speakers and UK Cord
-B21	SH / MPR without power cord (S. Africa Hub)
-B23	SH / TCO without power cord (S. Africa Hub)
-B27	SH / TCO Carbon without power cord (S. Africa Hub)

PACIFIC / AUSTRALIA (APD)

Dash #	Description
-B22	NH / MPR without power cord
-B24	NH / TCO without power cord
-B25	EH Carbon model without power cord
-B26	NH Touch Screen model without power cord
-011	SH model with AUZ/NZ power cord
-015	SH model with speakers AUZ/NZ power cord
-012	SH Carbon model with AUZ/NZ power cord
-AD1	NH model for Korea
-AD2	NH Carbon model for Korea
-B28	EH model without power cord
-B35	EH model with speakers no power cord (Singapore)

GREATER CHINA (GCD)

Dash #	Description
-AA1	NH / China Kit with CCIB label (Local Sales)
-AA2	NH/ Carbon China Kit with CCIB label (Local Sales)
-KA1	NH / China Kit with CCIB label (External Sales/Bundles in HK)
-AB1	NH / Taiwan kit, made in Taiwan

JAPAN (CKK)

Dash #	Description
-291	NH / Japan Kit with 3-2 pin adapter
-292	NH Carbon Japan Kit with 3-2 pin adapter

Options

TFT Country Code Key	EUROPE, MIDDLE EAST & AFRICA (EMEA)	
	Dash #	Description
	-021	Europe
	-031	UK
	-061	Italy
	-081	Denmark
	-111	Swiss
	-AR1	South Africa
	NORTH AMERICA	
	Dash #	Description
	-001	NA
	-B24	All NA/LA models
	APD	
	Dash #	Description
	-011	Australia/NZ
	JAPAN (CKK)	
	Dash #	Description
	-291	Japan
External Tape Drives	External 20/40-GB DAT DDS-4 Tape Drive	157770-001
	External 20/40-GB DAT DDS-4 Tape Drive (Int'l)	157770-B31
	External 20/40-GB DAT DDS-4 Tape Drive (Japan)	157770-291
	External 40/80-GB DLT Enhanced Drive	146197- B22
	External 40/80-GB DLT Drive Enhanced (Japan)	146196- 292
	External AIT 50-GB Tape Drive	157767-001
	External AIT 50-GB Tape Drive (Int'l)	157767-B31
	External AIT 50-GB Tape Drive (Japan)	157767-291
	External AIT 35-GB, LVD Tape Drive (NA)	216885-001
	External AIT 35-GB, LVD Tape Drive (Int'l)	216885-B31
	External AIT 35-GB, LVD Tape Drive (Japan)	216885-291
	20/40-GB DAT 8 Cassette Autoloader External	166505-001
	20/40-GB DAT 8 Cassette Autoloader External (Int'l)	166505-B31
	20/40-GB DAT 8 Cassette Autoloader External (Japan)	166505-291
	External 20/40-GB DLT Drive (Opal)	340744-B22
	External 20/40-GB DLT Drive (Opal) (Japan)	340744-292
	12.0-GB DDS-3 DAT Cassette (10 pack)	295515-B21

Options

External Tape Drives <i>(continued)</i>	DAT Cleaning Cassette	242781-001	
	DDS-4 Media (10 pack)	152842-001	
	20/40-GB DAT 8 Cassette Magazine with Media	171532-B21	
	AIT 50-GB Data Cassette (5 pack)	152841-001	
	AIT 35-GB Data Cassette (5 pack)	402371-B21	
	AIT Cleaning Cassette	402374-B21	
	DLT IV Data Cartridges (single pack)	295194-B21	
	DLT IV Data Cartridges (7 pack)	295192-B21	
	DLT Cleaning Cartridge	199704-001	
	<p>Note: Please see the Compaq 20/40-GB DAT Drive, Compaq AIT 50-GB Tape Drive, Compaq AIT 35-GB LVD Tape Drive, Compaq 20/40-GB DAT DDS-4 8 Cassette Autoloader, Compaq 40/80-GB DLT Drive, or the Compaq 20/40-GB DLT Drive QuickSpecs for a listing of the latest O/S Support details, at: http://www5.compaq.com/products/quickspecs/North_America/10233.html (North America) http://www5.compaq.com/products/quickspecs/Division/10233.html (Division/World Wide)</p>		
SDLT Tape Drives	SDLT 110/220 External, NA	192103-001	
	SDLT 110/220 External, Int'l	192103-B31	
	SDLT 110/220 External, Japan	192103-291	
	SDLT 110/220 Internal, All	192106-B21	
	SDLT Tape Cartridge (5 pack)	188527-B21	
	SDLT Tape Cartridge (10 pack)	188527-B22	
	SDLT Tape Cartridge (20 pack)	188527-B26	
<p>Note: Please see the Compaq SDLT 110/220 QuickSpecs for an up-to-date listing of the latest O/S Support details, please see the following: http://www5.compaq.com/products/quickspecs/North_America/10809.html (North America) http://www5.compaq.com/products/quickspecs/Division/10809.html (Division/World Wide)</p>			
External Storage - Tower	Compaq StorageWorks Enclosure Model 4314T (tower)	190210-001	
	Compaq StorageWorks Enclosure Model 4314T (tower) (Int'l)	190210-B31	
	Compaq StorageWorks Enclosure Model 4314T (tower) (Japan)	190210-291	
	<p>Note: The Compaq StorageWorks Enclosure 4300 Family support the Wide Ultra2/Ultra3 1" Hot Plug Hard Drives.</p>		
	SCSI Storage Expander II	332609-001	
	SCSI Storage Expander II (Int'l)	332609-B21	
	SCSI Storage Expander II (Japan)	332609-291	
	StorageWorks Enclosure 4200 Redundant Power Supply Option	119826-B21	
	StorageWorks Enclosure 4200 Ultra3 Single Bus I/O Module Option	190212-B21	
	StorageWorks Enclosure 4200 Ultra3 Dual Bus I/O Module Option	190213-B21	
StorageWorks Enclosure Tower to Rack Conversion Kit	150213-B21		
Mainstream Library Solution	MSL5026SL Library, SDLT 110/220, 1 Drive, LVD, Table Top	231822-B21	
	MSL5026SL Library, SDLT 110/220, 2 Drives, LVD, Table Top	231822-B22	
	TL891DLX DLT Library, 1 drive Tower, LVD	157300-B21	
	TL891DLX DLT Library, 2 drive Tower, LVD	157300-B22	
	Add-On 35/70-GB Drive for TL891	120878-B21	
	Add-On 40/80-GB Drive for TL891DLX, LVD	157303-B21	
	Add-On 40/80-GB Drive for TL8x1HVD	157304-B21	
	64-Bit/66Mhz Dual Channel Wide Ultra3 SCSI Adapter	129803-B21	
	<p>Note: 64-Bit/66Mhz Dual Channel Wide Ultra3 SCSI Adapter is required to support the LVD based libraries (MSL5026, TL891DLX).</p>		
	MiniLibrary Data Unit (Available for TL891DLX DLT Libraries only.)	128670-B21	

Options

Mainstream Library Solution <i>(continued)</i>	MiniLibrary Expansion Unit, LVD <i>(Available for TL891DLX DLT Library only.)</i>	157301-B21	
	MiniLibrary pass-through Mechanism Kit <i>(Available for TL891 and TL891DLX DLT Libraries only.)</i>	120880-B21	
	10 Slot Magazine <i>(Available for TL891 and TL891DLX DLT Libraries only.)</i>	120881-B21	
	MSL5K Field Upgrade SDLT 110/220 Drive, LVD	231823-B22	
	MSL5000 Dual Magazine Pack	232136-B21	
	MSL5026 Table Top to Rack Mount Conversion Kit, Metric/RETMA racks <i>(Available for MSL5026 Libraries only.)</i>	231894-B21	
	MSL5026 Table Top to Rack Mount Conversion Kit, Compaq racks <i>(Available for MSL5026 Libraries only.)</i>	231894-B22	
	<p>Note: Please see the Compaq StorageWorks MSL5026, or the TL891DLX Automated DLT Tape Library Solution QuickSpecs for additional information including Upgrade Kits, Accessories, ProLiant Connectivity Kits, Host Bus Adapters, SCSI Cable Kits, and Localization Kits and additional options needed for a complete solution at: http://www5.compaq.com/products/quickspecs/North_America/10809.html (North America) http://www5.compaq.com/products/quickspecs/Division/10809.html (Division/World Wide)</p>		
Small System Library Solution	SSL2020 AIT Mini-Library 1 drive, 20 slot Table Top	175195-B21	
	SSL2020 AIT Mini-Library 2 drive, 20 slot Table Top	175195-B22	
	SSL2020 AIT Library Pass Thru with Transport	175312-B21	
	SSL2020 AIT Library Pass Thru Extender	175312-B22	
	AIT 50GB Drive Add-On LVD Drive for SSL2020 AIT Library	175197-B21	
	19 Slot Magazine for SSL2020 AIT Library	175198-B21	
	AIT 50-GB Data Cassette (5 pack)	152841-001	
	AIT Cleaning Cassette	402374-B21	
	64-Bit/66Mhz Dual Channel Wide Ultra3 SCSI Adapter	129803-B21	
	<p>Note: 64-Bit/66Mhz Dual Channel Wide Ultra3 SCSI Adapter is required to support the LVD based libraries (SSL2020).</p>		
	Tabletop to Rackmount Upgrade Kit for SSL2020 AIT Library, Compaq Rack	175199-B21	
	Tabletop to Rackmount Upgrade Kit for SSL2020 AIT Library, RETMA racks	175199-B22	
<p>Note: Please see the AIT Automated DLT Tape Library Solution QuickSpecs for additional information including Upgrade Kits, Accessories, and SCSI Cable Kits and additional options needed for a complete solution at: http://www5.compaq.com/products/quickspecs/North_America/10809.html (North America) http://www5.compaq.com/products/quickspecs/Division/10809.html (Division/World Wide)</p>			

Options

Uninterruptible Power Systems - Tower	Compaq Pro UPS 500 (300 Watt) 120V (NA)	136386-001
	Compaq Pro UPS 500 (300 Watt) 120V (Int'l)	136386-B31
	Compaq Pro UPS 500 (300 Watt) 120V (Japan)	136386-291
	UPS Model T700 (700VA, 500 Watt), Low Voltage (NA)	204015-001
	UPS Model T700 (700VA, 500 Watt), High Voltage (Int'l)	204015-B31
	UPS Model T700 (700VA, 500 Watt), Low Voltage (Japan)	204015-291
	UPS Model T700 (100 to 127 Volt/700 Volt Amp)	295372-B21
	UPS Model T700h (208 to 240 VAC) (Int'l)	295372-B22
	UPS Model T700j (100 to 127 Volt/700 Volt Amp) (Japan)	295372-291
	UPS Model T1000 (100 to 127 Volt/1000 Volt Amp)	242688-001
	UPS Model T1000h (208 to 240 Volt/1000 Volt Amp) (Int'l)	242688-002
	UPS Model T1500 (100 to 127 Volt/1440 Volt Amp)	242688-003
	UPS Model T1500h (208 to 240 Volt/1440 Volt Amp) (Int'l)	242688-004
	UPS Model T1500j (100 to 127 Volt/1440 Volt Amp) (Japan)	242688-293
	UPS Model T2000 (100 to 127 Volt/1920 Volt Amp)	242688-005
	UPS Model T2000j (100 to 127 Volt/1920 Volt Amp) (Japan)	242688-295
	Multi-Server UPS Card (Not available for UPS T700 or UPS 500)	123508-B21
	Scalable UPS Card (Not available for UPS T700 or UPS 500)	123509- B21
	SNMP-EN Adapter (Not available for UPS T700 or UPS 500)	347225-B21
	High to Low Voltage Transformer (250VA)	388643-B21
Rack Conversion Kit	Compaq ProLiant ML350 Tower to Rack Conversion Kit	158438-B21
Other	Internal Wide Ultra3 Cable Option Kit, NHP	166389-B21
	Internal Wide Ultra3 Cable Option Kit, HP	166390-B21
	ProLiant ML350 Internal to External SCSI Cable Option Kit	159547-B21

Options

CarePacs

Hardware Services 4-Hour On-site Service

4-Hour On-site Service, 5-Day x 9-Hour Coverage, 3 Years (2-5-2 Part Number for U.S.)	FM-EL4HR-36
4-Hour On-site Service, 5-Day x 9-Hour Coverage, 3 Years (2-5-2 Part Number for Canada)	FP-EL4HR-36
4-Hour On-site Service, 5-Day x 9-Hour Coverage, 3 Years (6-3 Part Number for U.S.)	162676-002
4-Hour On-site Service, 5-Day x 9-Hour Coverage, 3 Years (6-3 Part Number for Canada)	162676-122
4-Hour On-site Service, 5-Day x 9-Hour Coverage, 3 Years (6-3 Part Number for EMEA)	324416-002
4-Hour On-site Service, 7-Day x 24-Hour Coverage, 3 Years (2-5-2 Part Number for U.S.)	FM-EL724-36
4-Hour On-site Service, 7-Day x 24-Hour Coverage, 3 Years (2-5-2 Part Number for Canada)	FP-EL724-36
4-Hour On-site Service, 7-Day x 24-Hour Coverage, 3 Years (6-3 Part Number for U.S.)	162675-002
4-Hour On-site Service, 7-Day x 24-Hour Coverage, 3 Years (6-3 Part Number for Canada)	162675-122
4-Hour On-site Service, 7-Day x 24-Hour Coverage, 3 Years (6-3 Part Number for EMEA)	376910-022

Installation & Start-up Services

Hardware Installation (2-5-2 Part Number for U.S.)	FM-ELINS-IN
Hardware Installation (2-5-2 Part Number for Canada)	FP-ELINS-IN
Hardware Installation (6-3 Part Number for U.S.)	401791-002
Hardware Installation (6-3 Part Number for Canada)	401791-122
Hardware Installation (6-3 Part Number for EMEA)	Quote
O/S & Hardware Installation (6-3 Part Number for EMEA)	Quote
(Hardware installation plus two days O/S start-up activity (installation, configuration, network access & orientation))	
Server Installation and Set-Up (Installation of the server, installation of the appropriate service tools, check to ensure device SW and firmware is loaded and installation of the operating system software (6-3 Part Number for EMEA)	204563-022
Pre-installation planning; unpack equipment, install most current Compaq HW options internal to server at same time of server installation; assemble & test; basic user information provided; Install & configure basic functionality of Win NT Operating System plus up to 2 days start-up activity, configure print & network access services, and orientation (2-5-2 Part Number for U.S.)	FP-MSTAR-01
Pre-installation planning; unpack equipment, install most current Compaq HW options internal to server at same time of server installation; assemble & test; basic user information provided; Install & configure basic functionality of Win NT Operating System plus up to 2 days start-up activity, configure print & network access services, and orientation (6-3 Part Number for U.S.)	240013-002
Pre-installation planning; unpack equipment, install most current Compaq HW options internal to server at same time of server installation; assemble & test; basic user information provided; Install & configure basic functionality of Novell NetWare Operating System plus up to 2 days start-up activity, configure print & network access services, and orientation (2-5-2 Part Number for U.S.)	FP-NSTAR-01
Pre-installation planning; unpack equipment, install most current Compaq HW options internal to server at same time of server installation; assemble & test; basic user information provided; Install & configure basic functionality of Novell NetWare Operating System plus up to 2 days start-up activity, configure print & network access services, and orientation (6-3 Part Number for U.S.)	240008-002

Options

CarePacs (continued)

Business Solutions Priority Service Plan – Priority Level

9 x 5 HW, 4-hr response, Next Available HW engineer; 9 x 5 Bronze Software Support 2-hr response for Windows NT, Windows 2000, Professional, Server or Advanced Server Operating System, Next Available Specialist (2-5-2 Part Number for U.S.)	FP-M01C1-36
9 x 5 HW, 4-hr response, Next Available HW engineer; 9 x 5 Bronze Software Support 2-hr response for Windows NT, Windows 2000, Professional, Server or Advanced Server Operating System, Next Available Specialist (6-3 Part Number for U.S.)	239928-002
9 x 5 HW, 4-hr response, Next Available HW engineer; 9 x 5 Bronze Software Support 2-hr response for Novell NetWare Operating System, Next Available Specialist (2-5-2 Part Number for U.S.)	FP-N01C1-36
9 x 5 HW, 4-hr response, Next Available HW engineer; 9 x 5 Bronze Software Support 2-hr response for Novell NetWare Operating System, Next Available Specialist (6-3 Part Number for U.S.)	239968-002
5 x 9 4-hour H/W, 5 x 9 2-hour O/S (NT & NetWare), three years (2-5-2 Part Number for Canada)	FP-CZ101-36
5 x 9 4-hour H/W, 5 x 9 2-hour O/S (NT & NetWare), three years (6-3 Part Number for Canada)	155323-122
5 x 9 4-hour H/W, 5 x 9 2-hour O/S (NT & NetWare), three years (6-3 Part Number for EMEA)	179834-022

Business Solutions Priority Service Plan – Priority 24 Level

24 x 7 HW, 4-hr response, Named HW engineer; 24 x 7 Bronze Software Support, 2-hr response for Windows NT, Windows 2000, Professional, Server or Advanced Server Operating System, Next Available Specialist (2-5-2 Part Number for U.S.)	FP-M02C1-36
24 x 7 HW, 4-hr response, Named HW engineer; 24 x 7 Bronze Software Support, 2-hr response for Windows NT, Windows 2000, Professional, Server or Advanced Server Operating System, Next Available Specialist (6-3 Part Number for U.S.)	239930-002
24 x 7 HW, 4-hr response, Named HW engineer; 24 x 7 Bronze Software Support, 2-hr response for Novell NetWare Operating System, Next Available Specialist (2-5-2 Part Number for U.S.)	FP-N02C1-36
24 x 7 HW, 4-hr response, Named HW engineer; 24 x 7 Bronze Software Support, 2-hr response for Novell NetWare Operating System, Next Available Specialist (6-3 Part Number for U.S.)	239970-002
7 x 24 4-hour H/W, 7 x 24 2-hour O/S (NT & NetWare), three years (6-3 Part Number for EMEA)	179839-022

Business Solutions Priority Service Plan – Priority Plus Level

7 x 24 4-hour H/W, 7 x 24 1-hour O/S (NT & NetWare), SPS account review, three years (2-5-2 Part Number for Canada)	FP-CZ301-36
7 x 24 4-hour H/W, 7 x 24 1-hour O/S (NT & NetWare), SPS account review, three years (6-3 Part Number for Canada)	155331-122

Options

CarePacs (continued)

Business Solutions Priority Service Plan – Priority Silver

24 x 7 HW, 4-hr response, Named HW engineer; 24 x 7 Silver Software Support, 1-hr response, Monday – Friday, 8AM – 5PM local time, 2-hr response after hours for Windows NT, Windows 2000, Professional, Server or Advanced Server Operating System, Technical Account Manager, Technical Newsletter, SW activity review, proactive patch notification, 1 System Healthcheck per year (2-5-2 Part Number for U.S.)	FP-M04C1-36
--	-------------

24 x 7 HW, 4-hr response, Named HW engineer; 24 x 7 Silver Software Support, 1-hr response, Monday – Friday, 8AM – 5PM local time, 2-hr response after hours for Windows NT, Windows 2000, Professional, Server or Advanced Server Operating System, Technical Account Manager, Technical Newsletter, SW activity review, proactive patch notification, 1 System Healthcheck per year (6-3 Part Number for U.S.)	239932-002
--	------------

24 x 7 HW, 4-hr response, Named HW engineer; 24 x 7 Silver Subsequent System Support for Windows NT, Windows 2000, Professional, Server or Advanced Server Operating System (2-5-2 Part Number for U.S.)	FP-M24C1-36
--	-------------

24 x 7 HW, 4-hr response, Named HW engineer; 24 x 7 Silver Subsequent System Support for Windows NT, Windows 2000, Professional, Server or Advanced Server Operating System (6-3 Part Number for U.S.)	239934-002
--	------------

24 x 7 HW, 4-hr response, Named HW engineer; 24 x 7 Silver Software Support, 1-hr response, Monday – Friday, 8AM – 5PM local time, 2-hr response after hours for Novell NetWare Operating System, Technical Account Manager, Technical Newsletter, SW activity review (2-5-2 Part Number for U.S.)	FP-N04C1-36
--	-------------

24 x 7 HW, 4-hr response, Named HW engineer; 24 x 7 Silver Software Support, 1-hr response, Monday – Friday, 8AM – 5PM local time, 2-hr response after hours for Novell NetWare Operating System, Technical Account Manager, Technical Newsletter, SW activity review (6-3 Part Number for U.S.)	239972-002
--	------------

24 x 7 HW, 4-hr response, Named HW engineer; 24 x 7 Silver Subsequent System Support for Novell NetWare Operating System (2-5-2 Part Number for U.S.)	FP-N24C1-36
---	-------------

24 x 7 HW, 4-hr response, Named HW engineer; 24 x 7 Silver Subsequent System Support for Novell NetWare Operating System (6-3 Part Number for U.S.)	239974-002
---	------------

Business Solutions Priority Service Plan – Priority Premier Level

7 x 24 2-hour H/W, 7 x 24 1-hour O/S (NT & NetWare), SPS Account Review, Proactive Management Review, named S/w rep, three years (2-5-2 Part Number for Canada)	FP-CZ501-36
---	-------------

7 x 24 2-hour H/W, 7 x 24 1-hour O/S (NT & NetWare), SPS Account Review, Proactive Management Review, named S/w rep, three years (6-3 Part Number for Canada)	155335-122
---	------------

Business Solutions Priority Service Plan – Priority Executive Premier Level

7 x 24 2-hour H/W, 7 x 24 30-minute O/S (NT & NetWare), SPS Account Review, Proactive Management Review, named S/w rep, three years (2-5-2 Part Number for Canada)	FP-CZ701-36
--	-------------

7 x 24 2-hour H/W, 7 x 24 30-minute O/S (NT & NetWare), SPS Account Review, Proactive Management Review, named S/w rep, three years (6-3 Part Number for Canada)	155339-122
--	------------

Note: For more information, customer/resellers can contact www.Compaq.com/services.

Memory

Compaq ProLiant ML350 All Models

STANDARD MEMORY

128-MB PC133-MHz Registered ECC SDRAM DIMM installed (1 x 128-MB SDRAM DIMM)

STANDARD MEMORY PLUS OPTIONAL MEMORY

Up to 1664-MB memory is available with the optional installation of PC133-MHz Registered ECC SDRAM DIMM memory kits.

STANDARD MEMORY REPLACED WITH OPTIONAL MEMORY

Up to 2048 MB of memory is available with the removal of the standard 128-MB of memory and the optional installation of PC133-MHz Registered ECC SDRAM DIMM memory kits.

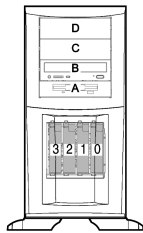
Note: Charts do not represent all possible memory configurations.

Memory		Slot			
		1	2	3	4
Standard	128 MB	128 MB	Empty	Empty	Empty
Optional	1664 MB	128 MB	512 MB	512 MB	512 MB
Maximum	2048 MB	512 MB	512 MB	512 MB	512 MB

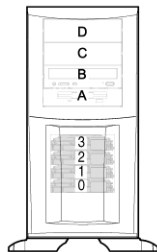
Following are memory options available from Compaq:

- 512-MB PC133-MHz Registered ECC SDRAM DIMM Memory Option Kit 128279-B21
- 256-MB PC133-MHz Registered ECC SDRAM DIMM Memory Option Kit 128278-B21
- 128-MB PC133-MHz Registered ECC SDRAM DIMM Memory Option Kit 128277-B21
- 64-MB PC133-MHz Registered ECC SDRAM DIMM Memory Option Kit 128276-B21

Storage



Non-Hot Plug Drive Cage



Hot Plug Drive Cage

- 0, 1, 2, 3 4 x 1 in/25.4 mm SCSI Hard Drive Bays
- A 3.5 in/88.9 mm Diskette Drive
- B 32x or 40x CD-ROM
- C, D Available half-height bay

DRIVE SUPPORT

	Quantity Supported	Position Supported	Controller
Removable Media			
1.44-MB Diskette Drive	Up to 1	A	Integrated
IDE CD-ROM Drive	Up to 2	B, C	Integrated IDE
DVD-ROM Drive Option Kit	Up to 2	B, C	Integrated IDE
Hard Drives			
<i>Wide Ultra2 Hot Pluggable Drives</i>			
1-inch 18.2-GB 9.1-GB	Up to 4	0-3	Integrated Dual Channel Wide Ultra2 SCSI Adapter Compaq RAID LC2 Controller Smart Array 431 Controller Smart Array 3200 Controller 64-bit/66-MHz Dual Channel Wide Ultra3 SCSI Adapter 64-bit/66-MHz Single Channel Wide Ultra3 SCSI Adapter
<i>Wide Ultra2 SCSI – Non-Hot Plug</i>			
1-inch 18.2-GB 9.1-GB	Up to 4 Up to 6	0-3 0-3 & C, D	Integrated Dual Channel Wide Ultra2 SCSI Adapter Compaq RAID LC2 Controller Smart Array 431 Controller Smart Array 3200 Controller 64-bit/66-MHz Dual Channel Wide Ultra3 SCSI Adapter 64-bit/66-MHz Single Channel Wide Ultra3 SCSI Adapter
<i>Wide Ultra3 Hot Pluggable Drives</i>			
1-inch 36.4-GB 10,000 rpm 18.2-GB 10,000 rpm 9.1-GB 10,000 rpm	Up to 4	0-3	Integrated Dual Channel Wide Ultra2 SCSI Adapter Compaq RAID LC2 Controller Smart Array 431 Controller Smart Array 3200 Controller 64-bit/66-MHz Dual Channel Wide Ultra3 SCSI Adapter 64-bit/66-MHz Single Channel Wide Ultra3 SCSI Adapter
<i>Wide Ultra3 SCSI – Non-Hot Plug</i>			
1-inch 36.4-GB 10,000 rpm 18.2-GB 10,000 rpm 9.1-GB 10,000 rpm	Up to 4 Up to 6	0-3 0-3 & C, D	Integrated Dual Channel Wide Ultra2 SCSI Adapter Compaq RAID LC2 Controller Smart Array 431 Controller Smart Array 3200 Controller 64-bit/66-MHz Dual Channel Wide Ultra3 SCSI Adapter 64-bit/66-MHz Single Channel Wide Ultra3 SCSI Adapter

Storage

DRIVE SUPPORT *(continued)*

	Quantity Supported	Position Supported	Controller
External Storage			
StorageWorks Enclosure 4300 Family (supports Wide Ultra2/Ultra3 1 " drives)	Up to 7	External	Integrated Dual Channel Wide Ultra2 SCSI Adapter Smart Array 431 Controller Smart Array 3200 Controller 64-bit/66-MHz Dual Channel Wide Ultra3 SCSI Adapter 64-bit/66-MHz Single Channel Wide Ultra3 SCSI Adapter
SCSI Storage Expander II	Up to 3	External	Integrated Dual Channel Wide Ultra2 SCSI Adapter 64-Bit Dual Channel Wide Ultra2 SCSI Adapter Compaq Dual Channel Wide-Ultra SCSI-3 Controller Compaq Wide-Ultra SCSI-3 Controller

Maximum Storage Capacity – (SCSI Attached)

Internal	145.6 GB (4 x 36.4 GB hard drives)
External	3.057 TB (12 x 36.4 GB) x 7
Total	3.203 TB

Maximum Storage Capacity – (SCSI Attached)

Internal	218.4 GB (4 x 36.4 GB + 2 x 36.4 GB hard drives)
External	3.057 TB (12 x 36.4 GB) x 7
Total	3.276 TB

Tape Drives

Note: For an up-to-date listing of the latest O/S Support details for each of the Tape Drives listed below, please see the following:

http://www5.compaq.com/products/quickspecs/North_America/10233.html (North America)

<http://www5.compaq.com/products/quickspecs/Division/10233.html> (Division/World Wide)

20/40-GB DAT DDS-4 Tape Drive Internal 12/24-GB DAT Drive	Up to 2	C	Integrated Dual Channel Wide Ultra2 SCSI Adapter 64-bit/66-MHz Dual Channel Wide Ultra3 SCSI Adapter 64-bit/66-MHz Single Channel Wide Ultra3 SCSI Adapter
20/40-GB DAT DDS-4 8 Cassette Autoloader	Up to 2	C	Integrated Dual Channel Wide Ultra2 SCSI Adapter 64-bit/66-MHz Dual Channel Wide Ultra3 SCSI Adapter 64-bit/66-MHz Single Channel Wide Ultra3 SCSI Adapter
Internal 20/40-GB DLT Internal 40/80-GB DLT Enhanced	Up to 1	C	Integrated Dual Channel Wide Ultra2 SCSI Adapter 64-bit/66-MHz Dual Channel Wide Ultra3 SCSI Adapter 64-bit/66-MHz Single Channel Wide Ultra3 SCSI Adapter
AIT 50-GB Internal AIT 35-GB, LVD Internal	Up to 2	C, D	Integrated Dual Channel Wide Ultra2 SCSI Adapter 64-bit/66-MHz Dual Channel Wide Ultra3 SCSI Adapter 64-bit/66-MHz Single Channel Wide Ultra3 SCSI Adapter
SDLT 110/220-GB, Internal	Up to 1	A, B	64-bit/66-MHz Dual Channel Wide Ultra3 SCSI Adapter 64-bit/66-MHz Single Channel Wide Ultra3 SCSI Adapter
AIT 50-GB External AIT 35-GB, LVD External	2	External	Integrated Dual Channel Wide Ultra2 SCSI Adapter 64-bit/66-MHz Dual Channel Wide Ultra3 SCSI Adapter 64-bit/66-MHz Single Channel Wide Ultra3 SCSI Adapter
External 20/40-GB DLT	Up to 3	External	Integrated Dual Channel Wide Ultra2 SCSI Adapter 64-bit/66-MHz Dual Channel Wide Ultra3 SCSI Adapter 64-bit/66-MHz Single Channel Wide Ultra3 SCSI Adapter
SSL2020 AIT Mini-Library	Up to 5	External	64-Bit Dual Channel Wide Ultra2 SCSI Adapter 64-Bit/66MHz Dual Channel Wide Ultra3 SCSI Adapter
MSL5026 Library	2 drives per SCSI channel	External	64-Bit Dual Channel Wide Ultra2 SCSI Adapter 64-Bit/66-MHz Dual Channel Wide Ultra3 SCSI Adapter
TL891DLX DLT Library	2 drives per SCSI channel	External	64-bit Dual Channel Wide Ultra2 SCSI Adapter 64-bit/66-MHz Dual Channel Wide Ultra3 SCSI Adapter

Technical Specifications

System Unit	Dimensions (HxWxD) (with feet/bezel)	18.5 x 10.5 x 26 in/46.99 x 26.67 x 66.04 cm
	Dimensions (HxWxD) (without feet/bezel)	17.5 x 10.5 x 24 in/44.45 x 26.67 x 60.96 cm
	Weight (approximate)	60 lbs/27.24 kg (without hard drives)
Input Requirements (per power supply)	Rated Input Voltage	90 to 132 VAC/180 to 264 VAC
	Rated Input Frequency	100 to 120 VAC/200 to 240 VAC
	Input Power	492W @ 110 VAC
	Rated Input Current	6A/3A
Line Frequency	50 to 60 Hz	
BTU Rating	1,560 BTU/hr	
SCSI Connectors	Two internal HD68 connectors (Support for either two internal, two external, or a mix of internal/external is available. This is achieved using an internal to external SCSI cable option kit (159547-B21) and either of the two SCSI knockouts.)	
Power Supply Output Power (per power supply)	Rated Steady-State Power	300W
	Maximum Peak Power	400W
Temperature Range	Operating	50° to 95° F/10° to 35°C (No direct sustaining sunlight) Altitude range derating: 33.8° F/1°C per 984.25 ft/300 m up to 9,842.5 ft/3,000 m
	Storage (up to one year) Altitudes up to 9,842.5 ft/3,000m	-4° to 140° F/-20° to 60°C
	Shipping (up to 72 hours) Altitudes up to 29,855.5 ft/9100m	-40° to 140° F/-40° to 60°C
Relative Humidity (non-condensing)	Operating	20% to 80%
	Non-operating	5% to 90%
Acoustic Noise	Idle	
	(Fixed Disk Drives Spinning)	
	L _{wAd} (BELS)	5.02
	L _{pAm} (dBA)	35.9
	Operating (Random Seeks to Fixed Disks)	
	L _{wAd} (BELS)	5.87
L _{pAm} (dBA)	40.9	

Technical Specifications

1.44-MB Diskette Drive	Diskette Size	3.5 in/88.9 mm		
	LED Indicators (front panel)	Green		
	Read/Write Capacity per Diskette (high/low density)	1.44 MB/720 KB		
	Drive Supported	One		
	Drive Height	One-third		
	Drive Rotation	300 rpm		
	Transfer Rate (high/low)	500/250 Kb/s		
	Bytes/Sector	512		
	Sectors/Track (high/low)	18/9		
	Tracks/Side (high/low)	80/80		
	Access Times	Track-to-Track (high/low)	3/6 ms	
		Average (high/low)	169/94 ms	
		Settling Time	15 ms	
		Latency Average	100 ms	
Cylinders (high/low)	80/80			
Read/Write Heads	Two			
Hot Plug Wide Ultra2 SCSI Hard Drives	18.2 GB 388144-B22	Capacity	18209.3 MB	
		Height	1 in/25.4 mm	
		Width	3.5 in/88.9 mm	
		Interface	Wide Ultra2 SCSI	
		Transfer Rate Synchronous (Maximum)	80 MB/s	
	Seek Time (typical reads, including settling)	Single Track	0.8 ms	
		Average	5.2 ms	
		Full-Stroke	12 ms	
		Rotational Speed	10,000 rpm	
	Physical Configuration	Logical Blocks	35,565,080	
	Operating Temperature	50° to 95°F/10° to 35°C		
	9.1 GB 123065-B22	Capacity	9100.0 MB	
		Height	1 in/25.4 mm	
		Width	3.5 in/88.9 mm	
		Interface	Wide Ultra2 SCSI	
		Transfer Rate Synchronous (Maximum)	80 MB/s	
		Seek Time (typical reads, including settling)	Single Track	0.8 ms
Average			7.0 ms	
Full-Stroke			15 ms	
		Rotational Speed	7200 rpm	
Physical Configuration		Logical Blocks	17,773,524	
Operating Temperature	50° to 95°F/10° to 35°C			

Technical Specifications

Non-Hot Plug Hard Drives	Wide Ultra2 SCSI	18.2 GB	Capacity	18209.3 MB		
		388143-B21	Height	1 in/25.4 mm		
			Width	4.0 in/101.6 mm		
			Interface	Wide Ultra2 SCSI		
			Transfer Rate Synchronous (Maximum)	80 MB/s		
			Seek Time (typical reads, including settling)	Single Track	0.8 ms	
				Average	7.0 ms	
				Full-Stroke	15 ms	
				Rotational Speed	7200 rpm	
			Physical Configuration	Logical Blocks	35,565,080	
		Operating Temperature	50° to 95°F/10° to 35°C			
<hr/>						
		9.1 GB	Capacity	9100.0 MB		
		349526-B21	Height	1 in/25.4 mm		
			Width	4.0 in/101.6 mm		
			Interface	Wide Ultra2 SCSI		
			Transfer Rate Synchronous (Maximum)	80 MB/s		
		Seek Time (typical reads, including settling)	Single Track	0.8 ms		
			Average	7.1 ms		
			Full-Stroke	16 ms		
			Rotational Speed	7200 rpm		
		Physical Configuration	Logical Blocks	17,773,524		
		Operating Temperature	50° to 95°F/10° to 35°C			
<hr/>						
Hot Plug Hard Drives	Wide Ultra3 SCSI	36.4 GB 10K	Capacity	36419.2 MB		
		176496-B22	Height	1 in/25.4 mm		
			Width	4.0 in/101.6 mm		
			Interface	Wide Ultra3 SCSI		
			Transfer Rate Synchronous (Maximum)	160 MB/s		
			Seek Time (typical reads, including settling)	Single Track	0.9 ms	
				Average	5.7 ms	
				Full-Stroke	13 ms	
				Rotational Speed	10,000 rpm	
			Physical Configuration	Logical Blocks	71,132,000	
		Operating Temperature	50° to 95°F/10° to 35°C			
<hr/>						
		18.2 GB 10K	Capacity	18209.3 MB		
		142673-B22	Height	1 in/25.4 mm		
			Width	4.0 in/101.6 mm		
			Interface	Wide Ultra3 SCSI		
			Transfer Rate Synchronous (Maximum)	160 MB/s		
		Seek Time (typical reads, including settling)	Single Track	0.9 ms		
			Average	5.5 ms		
			Full-Stroke	12 ms		
			Rotational Speed	10,000 rpm		
		Physical Configuration	Logical Blocks	35,566,080		
		Operating Temperature	50° to 95°F/10° to 35°C			

Technical Specifications

Hot Plug Wide Ultra3 SCSI Hard Drives <i>(continued)</i>	9.1 GB 10K	Capacity	9100.0 MB	
	142671-B22	Height	1 in/25.4 mm	
		Width	4.0 in/101.6 mm	
		Interface	Wide Ultra3 SCSI	
		Transfer Rate Synchronous (Maximum)	160 MB/s	
		Seek Time (typical reads, including settling)	Single Track	0.9 ms
			Average	5.0 ms
			Full-Stroke	12 ms
			Rotational Speed	10,000 rpm
		Physical Configuration	Logical Blocks	17,773,524
	Operating Temperature		50° to 95°F/10° to 35°C	

40X Max IDE CD-ROM Drive	Disk	Applicable Disk	CD-ROM, CD-XA, CD-DA (Mode 1, Mode 2, Form 1 and 2) Photo CD (Single and Multi-session) Mixed Mode (Audio and Data combined) CD-R	
		Capacity	540 MB (Mode 1, 12 cm) 650 MB (Mode 2, 12 cm)	
		Block Size	Mode 1	2,048 bytes
			Mode 2	2,340 bytes, 2,336 bytes
			CD-DA	2,352 bytes
			CD-XA	2,328 bytes
		Interface		IDE (ATAPI)
		Access Times (typical)	Random	100 ms
			Full-Stroke	150 ms
		Audio Output Level	Line-Out	0.7 VRMS at 47 kOhms
	Data Transfer Rate	Sustained	150 KB/s (1X audio)	
		Burst	16.67 Mbytes/sec	
	Cache Buffer		128 KB	
	Start-up Time (typical)		< 7 seconds	
	Stop Time		< 4 seconds	
	Laser Parameters	Type	Semiconductor Laser GaA1As	
		Wave Length	780 ± 25 nm	
	Operating Conditions	Temperature	41° to 113°F/5° to 45°C	
		Humidity	10% to 80%	
	Dimensions	(HxWxD, maximum)	1.7 x 5.85 x 8.11 in/4.29 x 150 x 208 cm	
		Weight	2.09 lbs/0.95 kg	

Technical Specifications

32X Max IDE CD-ROM Drive	Disk	Applicable Disk	CD-ROM (Mode 1 and 2) CD-DA, CD-XA (Mode 2, Form 1 and 2), CD-I ready Photo CD (Single and Multi-session) Mixed Mode (Audio and Data combined) CD-WO	
		Capacity	650 MB	
		Diameter	4.7 in, 3.15 in/12 cm, 8 cm	
		Rotational Speed	5200 rpm maximum	
		Center Hole	0.6 in/15 mm diameter	
		Thickness	0.047 in/1.2 mm	
		Track Pitch	1.6 μ m	
		Block Size	Mode 1	2,048, 1,024 bytes
			Mode 2	2,340, 2,336, 1,024 bytes
			CD-DA	2,352 bytes
		CD-XA	2,328 bytes	
	Interface	IDE (ATAPI)		
	Access Times (typical)	Random	100 ms	
		Full-Stroke	150 ms	
	Audio Output Level	Line-Out	0.7 VRMS at 47 kOhms	
		Headphone	0.6 VRMS at 32 Ohms (maximum volume)	
	Data Transfer Rate	Sustained	150 KB/s (single)	
		Burst	150 to 4800 KB/s	
	Cache Buffer	128 KB		
	Start-up Time (typical)	< 7 seconds		
	Stop Time	< 4 seconds		
	Laser Parameters	Type	Semiconductor Laser GaAlAs	
		Wave Length	780 \pm 25 nm	
		Divergence Angle	53.5 $^{\circ}$ \pm 1.5 $^{\circ}$	
		Output Power	0.14mW	
	Operating Conditions	Temperature	41 $^{\circ}$ to 113 $^{\circ}$ F/5 $^{\circ}$ to 45 $^{\circ}$ C	
		Humidity	10% to 80%	
	Dimensions	(HxWxD, maximum)	1.69 x 5.91 x 8.2 in/4.29 x 15.01 x 20.8 cm	
		Weight	2.09 lbs/0.95 kg	

Technical Specifications

Integrated Dual Channel Wide Ultra2 SCSI Adapter	Drives Supported	Up to 28 SCSI devices (14 per channel)
	Data Transfer Method	64-bit PCI bus-master
	SCSI Channel Transfer Rate	80 MB/s per channel
	Maximum Transfer Rate per PCI Bus (peak)	133 MB/s per channel
	SCSI Protocols	Wide Ultra2 SCSI Wide-Ultra SCSI-3 Fast SCSI-2
	Electrical Protocol	Low Voltage Differential (LVD)
	SCSI Termination	Active Termination
	External SCSI Connectors	Two 80-Pin VHDCI connectors
	Internal SCSI Connectors	Two 68-Pin Wide-Ultra SCSI-3 connectors

Compaq RAID LC2 Controller	Protocol	Wide Ultra2 SCSI
	SCSI Electrical Interface	Low Voltage Differential (LVD)
	Drives Supported	Wide Ultra3 and Wide Ultra2 SCSI hard drives (Ultra3 drives will operate at 80 MB/s maximum transfer rate)
	SCSI Port Connectors	Single Internal SCSI port
	Data Transfer Method	32-bit PCI bus-master
	Maximum Transfer Rate on System Bus (peak)	133 MB/s
	Simultaneous Drive Transfer Channels	One
	Channel Transfer Rate	80 MB/s per channel
	Software Upgradable Firmware	Yes
	Cache Memory	8-MB Cache Performance Engine
	RAID Support	0, 1, 0+1, 5
	Logical Drives Supported	32

Note: A minimum of three drives is required for RAID 5.

64-bit/66-MHz Single Channel Wide Ultra3 SCSI Adapter	Drives Supported	Up to 14 SCSI devices
	Storage Capacity	254.8 GB
	Data Transfer Method	64-bit/66-MHz PCI bus-master
	SCSI Channel Transfer Rate	160 MB/s per channel
	Maximum Transfer Rate per PCI Bus (peak)	532 MB/s per channel
	SCSI Protocols	Wide Ultra3 SCSI Wide Ultra2 SCSI Wide-Ultra SCSI-3 Fast-Wide SCSI-2 Fast SCSI-2
	Electrical Protocol	Low Voltage Differential (LVD)
	SCSI Termination	Active Termination
	External SCSI Connectors	One 68-pin Wide-Ultra SCSI-3 connector
	Internal SCSI Connectors	Two 68-pin Wide-Ultra SCSI-3 connectors (one LVD and one SE) One 50-pin Narrow Ultra connector

Technical Specifications

64-bit/66-MHz Dual Channel Wide Ultra3 SCSI Adapter	Drives Supported	Up to 28 SCSI devices (14 per channel)	
	Storage Capacity	509.6 GB	
	Data Transfer Method	64-bit/66-MHz PCI bus-master	
	SCSI Channel Transfer Rate	160 MB/s per channel	
	Maximum Transfer Rate per PCI Bus (peak)	532 MB/s per channel	
	SCSI Protocols	Wide Ultra3 SCSI Wide Ultra2 SCSI Wide-Ultra SCSI-3 Fast SCSI-2	
	Electrical Protocol	Low Voltage Differential (LVD)	
	SCSI Termination	Active Termination	
	External SCSI Connectors	Two 68-pin VHDCI connectors	
	Internal SCSI Connectors	Two 68-pin Wide-Ultra SCSI-3 connectors One 50-pin Narrow Ultra connector	
	Smart Array 3200 Controller	Data Compatible with all Smart Array Controllers	Yes
		Instant Upgrades to other Smart Array Controllers	Yes
Consistent Software Manageability Tools		Yes	
PCI Bus		64-bit, 33 MHz	
PCI Peak Data Transfer Rate		266 MB/s	
SCSI Protocols Supported		Ultra2, Wide-Ultra	
SCSI Peak Data Transfer Rate		320 MB/s total, 80 MB/s per channel	
Channels		4	
SCSI Ports (external/internal)		4/2	
Drives Supported (maximum)		56	
<i>Note: Drives Supported (maximum) is based on use of Compaq StorageWorks Enclosure 4200/4300 family (14 hard disk drive enclosure).</i>			
Cache		64-MB battery backed read-write	
RAID Support		0, 1, 0+1, 4, 5	
Logical Drives (maximum)		32	
Online Configuration		Yes	
Online Capacity Expansion		Yes	
Logical Drive Capacity Extension		Yes	
Online Stripe Size Migration		Yes	
Online RAID Level Migration		Yes	
Online Spare Support		Yes	
Automatic Data Recovery		Yes	
Drive Roaming		Yes	
Redundant Controllers	No		

Technical Specifications

Smart Array 431 Controller	Data Compatible with all Smart Array Controllers	Yes	
	Instant Upgrades to other Smart Array Controllers	Yes	
	Consistent Software Manageability Tools	Yes	
	PCI Bus	64-bit, 66MHz	
	PCI Peak Data Transfer Rate	533 MB/s	
	SCSI Protocols Supported	Ultra3, Ultra2, Wide-Ultra	
	SCSI Peak Data Transfer Rate	160 MB/s	
	Channels	1	
	SCSI Ports (external/internal)	1/1	
	Drives Supported (maximum)	14	
	<i>Note: Drives Supported (maximum) is based on use of Compaq StorageWorks Enclosure 4200/4300 family (14 hard disk drive enclosure).</i>		
	Cache	16-MB cache engine	
	RAID Support	0, 1, 0+1, 5	
	Logical Drives (maximum)	32	
	Online Configuration	Yes	
	Online Capacity Expansion	Yes	
	Logical Drive Capacity Extension	Yes	
	Online Stripe Size Migration	Yes	
	Online RAID Level Migration	Yes	
	Online Spare Support	Yes	
Automatic Data Recovery	Yes		
Drive Roaming	Yes		
Redundant Controllers	No		

Video Controller	Controller Chip	ATI RAGE XL
	Video DRAM	4-MB Video SDRAM
	Data Transfer Method	32-bit PCI
	Support Resolution	Supported Color Depths:
	640 x 480	16.7M, 64K, 256, 16
	800 x 600	16.7M, 64K, 256, 16
	1024 x 768	16.7M, 64K, 256, 16
	1152 x 864	16.7M, 64K, 256, 16
	1280 x 1024	16.7M, 64K, 256, 16
	1600 x 1200	64K, 256, 16
Connector	VGA	