

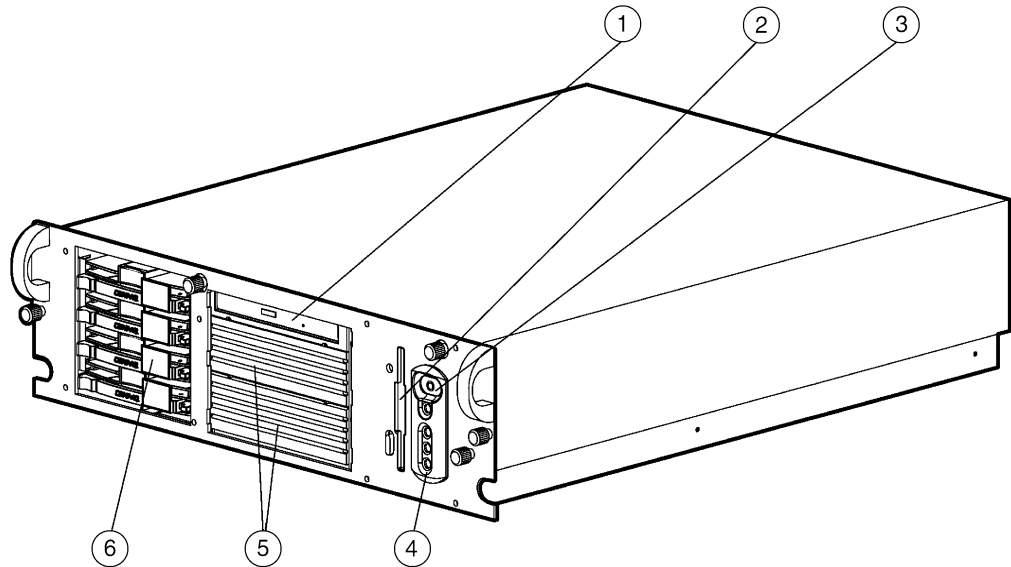
## Overview

### What's New

- Intel Pentium® III 1.0 GHz Processor (dual capability)

### At A Glance

- Space-saving, rack-optimized server for space conscious data centers and remote sites, requiring high levels of reliability and performance in a rack-ready form factor (3U, 5.25")
- ServerWorks LE 3.0 Chipset with 133 MHz Front Side Bus
- 256-KB level 2 ECC cache
- 128-MB PC133 MHz Registered ECC SDRAM memory, expandable to 4 GB
- Four expansion PCI slots: Three 64-bit and one 32-bit
- Compaq NC3163 Fast Ethernet NIC Embedded 10/100 WOL (Wake On LAN)
- Integrated Smart Array Controller
- Wide Ultra2/Ultra3 SCSI Drive Cage standard
- Support for up to four 1" Wide Ultra2/Ultra3 hot plug hard drives & for two additional Wide Ultra2/Ultra3 SCSI hot plug drives in removable media bay using optional 2 x 1" drive cage
- Internal hot plug capacity up to 291.2 GB standard or up to 436.8 GB using optional 2 x 1" drive cage
- 275-Watt Power Supply
- Simplified system board removal for fast and easy servicing
- Sliding rails and cable management arm for easy serviceability and toolless access to major components
- Integrated Remote Console (IRC), Automatic Server Recovery-2 (ASR-2), Compaq Insight Manager and SmartStart
- Protected by Compaq Services, including a three-year, Next Business Day, on-site limited Global warranty and extended Pre-Failure Warranty, which covers processors, memory, and hard drives — Certain restrictions and exclusions apply. Consult the Compaq Customer Support Center at 1-800-345-1518 for details.



1. Low-profile 24x IDE CD-ROM
2. 1.44-MB Diskette Drive
3. Protected Power Switch
4. Front Panel Status LEDs
5. One full height or two half height removable media bays
6. Four 1-inch Wide Ultra2/Ultra3 SCSI hot plug drive bays

## Standard Features

<b>Processor</b>	Intel Pentium III 1.0 GHz Processor		
<b>Upgradability</b>	Upgradable to dual processing		
<b>Memory</b>	Standard	128 MB (PC133MHz Registered ECC SDRAM DIMM Memory)	
	Maximum	4 GB	
<b>Network Controller</b>	Compaq NC3163 Fast Ethernet NIC (embedded) PCI 10/100 WOL (Wake on LAN)		
<b>Expansion Slots</b>	I/O (4 Total, 4 available)	PCI Voltage:	
	64-bit/33 MHz PCI	3	5 Volt or universal cards
	32-bit/33 MHz PCI	1	5 Volt or universal cards
<b>Storage Controller</b>	Integrated Smart Array Controller Note: The Integrated Smart Array Controller does not support LUN >0 devices.		
<b>Storage</b>	Diskette Drives	1.44 MB	
	CD-ROM	24x IDE CD-ROM Drive (Low-Profile)	
	Hard Drives	None	
	Maximum Internal Storage	436.8 GB (4 x 72.8 GB 1" + 2 x 72.8 GB 1") (internal drive cage with optional 2 x 1" Wide Ultra2/Ultra3 drive cage) (Must be used in conjunction with the standard 4 x 1" Wide Ultra2/Ultra3 Drive cage.)	
<b>Interfaces</b>	Parallel	1	
	Serial	2	
	Pointing Device (Mouse)	1	
	Graphics	1	
	Hot Plug Keyboard	1	
	External SCSI (for tape only)	1	
	Network RJ-45	1	
<b>Graphics</b>	Integrated ATI Rage IIC Video Controller with 4-MB Video Memory		
<b>Form Factor</b>	Rack (3U), (5.25-inch)		
<b>Compaq Software</b>	Compaq <i>Insight Manager</i> <sup>™</sup>	The comprehensive system management tool that monitors the operation of Compaq servers, and clients	
	Compaq <i>Insight Manager XE</i> <sup>™</sup>	Compaq Insight Manager XE leverages the power of the Internet to provide web-based systems management, and plays a key role in Compaq's strategy to simplify IT management. Compaq Insight Manager XE reduces systems management cost, improves operational efficiency and effectiveness, and minimizes systems downtime.	
	Compaq Management Agents	The Compaq Management Agents ( <a href="http://www.compaq.com/products/servers/management/agents.html">http://www.compaq.com/products/servers/management/agents.html</a> ) form the foundation for Compaq's Intelligent Manageability strategy. They provide direct, browser-based access to in-depth instrumentation built into Compaq servers, workstations, desktops, and portables, and send alerts to Compaq Insight Manager XE and other management consoles in case of subsystem or environmental failures. For additional information about the Compaq Management Agents and other management product from Compaq, please visit the management website at <a href="http://www.compaq.com/manage">http://www.compaq.com/manage</a>	
	Compaq <i>SmartStart</i> <sup>™</sup>	The server configuration and software integration tool from Compaq SmartStart version supported (minimum): SmartStart 4.80	
	Array Configuration Utility (ACU) with Smart Array Controllers	Same easy to use yet powerful graphical user interface (GUI) configuration utility and easy to navigate wizards for all Smart Array Controllers	
	Array Configuration Utility (ACU-XE) with Smart Array Controllers	Compaq Configuration Utility XE (ACU-XE) web-based software for Smart Array products and the <i>StorageWorks</i> <sup>™</sup> RAID Array 4x00 systems by Compaq allows for ease of configuration and expandability for your disk arrays, remote configuration capabilities, and multi-platform support.	

## Standard Features

---

### Industry Standard Compliance

ACPI 2.0 Compliant  
PCI 2.2 Compliant  
WOL Support  
Microsoft Logo certifications

---

### Manageability

Compaq Insight Manager  
Compaq Insight Manager XE  
Automatic Server Recovery-2 (ASR-2)  
Compaq Remote Insight Lights-Out Edition (optional)  
Integrated Remote Console (IRC)  
    Hardware Remote Console  
    Full Remote Server Reboot Capability  
    Reset and Failure Sequence Replay  
    Host Hardware Independent  
    Operating System Independent  
    Communication is out-of-band  
Integrated Management Log  
Revision History Table  
Automatic Revision Tracking  
Drive Parameter Tracking (with Smart Array Controllers)  
Dynamic Sector Repairing (with Smart Array Controllers)  
Off-Line Backup Processor capability  
Pre-Failure Warranty (covers processors, hard drives and memory)

---

### Security

Power-on password  
Keyboard password  
Diskette drive control  
Diskette boot control  
QuickLock, Network Server Mode  
Parallel and serial interface control  
Administrator's password  
Disk configuration lock

---

### Power Supply

275 Watt, CE Mark Compliant  
Optional Redundant Power Supply Capability

---

### Required Cabling

For required cabling information, refer to the Compaq website at <http://www.compaq.com/products/servers/proliantDL380>.  
Note: This Web site is available in English only.

---

## Standard Features

---

### OS Support

Microsoft Windows NT Server  
Microsoft Windows 2000  
Novell NetWare  
Novell NetWare Small Business Suite  
SCO OpenServer  
SCO UnixWare  
IBM OS/2 Warp Family  
LINUX (RedHat, S.U.S.E., TurboLinux Server, Caldera eServer)  
Sun Solaris Intel Platform Edition

Note: For a more complete and up-to-date listing of supported OSs and versions, please visit our OS Support Matrix at: <ftp://ftp.compaq.com/pub/products/servers/os-support-matrix-310.pdf>.

Note: For an up-to-date listing of the latest drivers available for the Compaq ProLiant DL380, please see: <http://www.compaq.com/support/files/server/us/index.html>.

---

### Service and Support

Compaq Services provides a three-year, limited warranty, including Pre-Failure Warranty (coverage of hard drives, memory and processors) fully supported by a worldwide network of resellers and service providers and lifetime toll-free 7 x 24 hardware technical phone support. In addition, available service offerings include a full range of CarePaq packaged hardware and software services:

- Installation and start up
- Extended coverage hours and enhanced response times
- System management and performance services
- Availability and recovery services

Note: Certain restrictions and exclusions apply. Consult the Compaq Customer Support Center at 1-800-345-1518 for details.

### Models

---

<b>DL380R01 P1000-256KB</b> <i>193706-xx1</i>	<b>Processor</b>	(1) Intel Pentium III 1.0 GHz Processor standard (up to 2 supported)
	<b>Cache Memory</b>	256-KB level 2 ECC cache
	<b>Memory</b>	128 MB (Standard) to 4 GB (Maximum) PC133MHz Registered ECC SDRAM
	<b>Network Controller</b>	Compaq NC3163 Fast Ethernet NIC (embedded) PCI 10/100 WOL (Wake on LAN)
	<b>Storage Controller</b>	Integrated Smart Array Controller
	<b>Hard Drive</b>	None ship standard
	<b>Internal Storage</b>	436.8 GB max (with optional hard drives)
	<b>Optical Drive</b>	24x IDE CD-ROM Drive
	<b>Form Factor</b>	Rack (3U), (5.25-inch)

---

<b>Country Code Key</b>	XX=00	US
	XX=01	Australia
	XX=03	UK
	XX=04	German (not available for Rack Models – please use EURO part number)
	XX=05	France (not available for Rack Models – please use EURO part number)
	XX=29	Japan
	XX=37	APD
	XX=42	EURO
	XX=AA	PRC

### Options

<b>ProLiant DL380 Unique Options</b>	Wide Ultra2/Ultra3 SCSI Drive Cage Option Kit (2 x 1") (Opal)	157007-B21
	<p>Note: The ProLiant DL380 Models can support up to six 1" Ultra2 or Ultra3 hot plug drives on a single SCSI channel with the purchase of the optional 2 x 1" Wide Ultra2/Ultra3 Drive Cage (157007-B21)</p> <p>Note: The Optional 2x1" drive cage can only operate in simplex (Single Channel) mode, Duplexing is not supported</p>	
	Compaq Hot Plug Redundant Power Supply Module	143397-001
	Compaq Hot Plug Redundant Power Supply Module (Australia)	143397-011
	Compaq Hot Plug Redundant Power Supply Module (International (Int'l))	143397-021
	Compaq Hot Plug Redundant Power Supply Module (Japan)	143397-291
<b>Processor</b>	Compaq ProLiant DL380 Thermal Upgrade Option Kit	210818-B21
	<p>Note: When upgrading 667 MHz, 733 MHz, 800 MHz, 866 MHz, or 933 MHz models to 1.0 GHz, the Compaq ProLiant DL380 Thermal Upgrade Kit (210818-B21) is required.</p>	
<b>Processor</b>	Pentium III P1000-256KB Processor Option Kit	187602-B21
	<p>Note: When upgrading 667 MHz, 733 MHz, 800 MHz, 866 MHz, or 933 MHz models to 1.0 GHz, the Compaq ProLiant DL380 Thermal Upgrade Kit (210818-B21) is required.</p> <p>Note: This processor option kit (PN 187602-B21) supports the ProLiant DL380, ProLiant ML370, and ProLiant CL380 servers.</p>	
	Pentium III P933-256KB Processor Option Kit	161086-B21
	<p>Note: This processor option kit (PN 161086-B21) supports the ProLiant DL380, ProLiant ML370, and ProLiant ML350 (1st generation) servers.</p>	
<b>Processor</b>	Pentium III P866-256KB Processor Option Kit	161085-B21
	<p>Note: This processor option kit (PN 161085-B21) supports the ProLiant DL380, ProLiant ML370, and ProLiant ML350 (1st generation) servers.</p>	
<b>Memory (DIMMs)</b>	Pentium III P800- 256KB Processor Option Kit	161084-B21
	<p>Note: This processor option kit (PN 161084-B21) supports the ProLiant DL380, ProLiant ML370, ProLiant ML350 (1st generation), and ProLiant CL380 servers.</p>	
	1024-MB PC133MHz Registered ECC SDRAM DIMM Memory Option Kit	128280-B21
	512-MB PC133MHz Registered ECC SDRAM DIMM Memory Option Kit	128279-B21
	256-MB PC133MHz Registered ECC SDRAM DIMM Memory Option Kit	128278-B21
<b>Optical Drives</b>	128-MB PC133MHz Registered ECC SDRAM DIMM Memory Option Kit	128277-B21
	64-MB PC133MHz Registered ECC SDRAM DIMM Memory Option Kit	128276-B21
	12X DVD-ROM Drive Option Kit (Carbon)	217053-B21
<b>Internal Storage</b>	Wide Ultra2/Ultra3 SCSI Drive Cage Option Kit (2 x 1") (Opal)	157007-B21
	<p>Note: The ProLiant DL380 Models can support up to six 1" Ultra2 or Ultra3 hot plug drives on a single SCSI channel with the purchase of the optional 2 x 1" Wide Ultra2/Ultra3 Drive Cage (157007-B21)</p> <p>Note: The Optional 2x1" drive cage can only operate in simplex (Single Channel) mode, Duplexing is not supported</p>	
	Compaq ProLiant DL380 Thermal Upgrade Option Kit	210818-B21
<p>Note: When upgrading 667 MHz, 733 MHz, 800 MHz, 866 MHz, or 933 MHz models to 1.0 GHz, the Compaq ProLiant DL380 Thermal Upgrade Kit (210818-B21) is required.</p>		

## Options

<b>Hard Drives</b>	<b>Wide Ultra3 SCSI – Universal Hot Plug</b>	
	72.8-GB Wide Ultra3 SCSI 10,000 rpm Drive (1")	232432-B22
	36.4-GB Wide Ultra3 SCSI 10,000 rpm Drive (1")	176496-B22
	18.2-GB Wide Ultra3 SCSI 10,000 rpm Drive (1")	142673-B22
	36.4-GB Wide Ultra3 SCSI 15,000 rpm Drive (1")	232916-B22
	18.2-GB Wide Ultra3 SCSI 15,000 rpm Drive (1")	188122-B22
	<b>Wide Ultra3 SCSI – Non-Hot Plug</b>	
	36.4-GB Wide Ultra3 SCSI 10,000 rpm Drive (1")	176497-B21
	18.2-GB Wide Ultra3 SCSI 10,000 rpm Drive (1")	142674-B21
	<i>Note: Non-hot plug Wide Ultra3 drives are supported only in the removable media bays.</i>	
<b>Storage Controllers</b>	Smart Array 431 Controller	127695-B21
	Smart Array 431 Controller (Japan)	127695-291
	Smart Array 5302/32 Controller	166207-B21
	Smart Array 5302/32 Controller (Japan)	166207-291
	Smart Array 5302/64 Controller	124992-B21
	Smart Array 5302/64 Controller (Japan)	124992-291
	Smart Array 5304/128 Controller	158939-B21
	Smart Array 5304/128 Controller (Japan)	158939-291
	Ultra3 Channel Expansion Module for Smart Array 5300 Controller	153507-B21
	128-MB Cache Module for Smart Array 5302 Controller	153506-B21
	Advanced Data Guarding Module for Smart Array 5302 Controller	199371-B21
	64-Bit/66-MHz Dual Channel Wide Ultra3 SCSI Adapter	129803-B21
	64-Bit/66-MHz Dual Channel Wide Ultra3 SCSI Adapter (Japan)	129803-291
	64-Bit/66-MHz Single Channel Wide Ultra3 SCSI Adapter	154457-B21
	64-Bit/66-MHz Single Channel Wide Ultra3 SCSI Adapter (Japan)	154457-291
	<b>Communications</b>	Compaq NC3123 Fast Ethernet NIC PCI 10/100 WOL
Compaq NC3134 Fast Ethernet NIC 64 PCI Dual Port 10/100		138603-B21
Compaq NC3135 Fast Ethernet Module Dual 10/100 Upgrade Module for NC3134 and NC3131		138604-B21
Compaq NC6132 Gigabit Module 1000 SX Upgrade Module for NC3134 and NC3131		338456-B23
Compaq NC6133 Gigabit Module 1000LX Upgrade Module for NC3134 and NC3131		338456-B24
Compaq NC3133 Fast Ethernet Module 100FX Upgrade Module for NC3134 and NC3131		338456-B25
Compaq NC6136 Gigabit Server Adapter, 64-bit/66MHz, PCI, 1000 SX		203539-B21
Compaq NC7131 Gigabit Server Adapter, 64-bit/66MHz, PCI, 10/100/1000-T		158575-B21
Compaq NC7132 10/100/1000-T Upgrade Module for NC3134 and NC3131		153543-B21
<i>Note: Any NC31XX, NC61XX. Or NC71XX NIC can be used for redundancy with the embedded NC3163 Network Controller.</i>		
<b>Redundant Options</b>	Compaq Hot Plug Redundant Power Supply Module	143397-001
	Compaq Hot Plug Redundant Power Supply Module (Australia)	143397-011
	Compaq Hot Plug Redundant Power Supply Module (International (Int'l))	143397-021
	Compaq Hot Plug Redundant Power Supply Module (Japan)	143397-291
<b>Management Options</b>	Compaq Remote Insight Lights-Out Edition (NA, LA)	157866-001
	Compaq Remote Insight Lights-Out Edition (EURO)	157866-021
	Compaq Remote Insight Lights-Out Edition (APD, Japan)	157866-371

### Options

<b>Security</b>	Compaq AXL300 Accelerator PCI Card for ProLiant Servers	227933-B21
<b>Monitors</b>	Flat Panel TFT8030 Color Monitor Two-Tone	234362-xxx
	Flat Panel TFT7020 Color Monitor Two-Tone	253216-xxx
	Flat Panel TFT5030 Color Monitor Two-Tone (Carbon/Silver)	228134-xxx
	Flat Panel TFT5015 Color Monitor (Opal)	234043-xxx
	Flat Panel TFT5015 Color Monitor Two-Tone (Carbon/Silver)	234044-xxx
	P1220 CRT Monitor Two-Tone (Carbon/Silver)	244374-xxx
	P920 CRT Monitor Two-Tone (Carbon/Silver)	244375-xxx
	P720 CRT Monitor Two-Tone (Carbon/Silver)	244373-xxx
	V720 CRT Monitor (Opal)	232943-xxx
	V720 CRT Monitor Two-Tone (Carbon/Silver)	232944-xxx
	V570 Color Monitor	228114-xxx
	V570 Color Monitor Two-Tone (Carbon/Silver)	228113-xxx
	S920 Color Monitor (Opal)	240325-xxx
	S920 Color Monitor Two-Tone (Carbon/Silver)	240326-xxx
	S720 Color Monitor (Opal) (Lite-On)	239286-xxx
	<a href="#">Note: Available in North America, Canada, and Greater China only</a>	
	S720 Color Monitor Two-tone (Carbon/Silver) (Lite-On)	239287-xxx
	<a href="#">Note: Available in North America, Canada, and Greater China only</a>	
	S720 Color Monitor (Opal) (Samsung)	238992-xxx
	<a href="#">Note: Available in APD, Latin America, EMEA, and Japan only</a>	
	S720 Color Monitor Two-tone (Carbon/Silver) (Samsung)	238993-xxx
	<a href="#">Note: Available in APD, Latin America, EMEA, and Japan only</a>	
	TFT5010R Flat Panel Monitor (NA)	217248-001
	TFT5010R Flat Panel Monitor (Int'l)	217248-B31
	TFT5010R Flat Panel Monitor (Japan)	217248-291

### CRT Country Code Key

#### NORTH AMERICA (NA) / LATIN AMERICA (LA)

Dash #	Description
-001	NA Kit with US Power Cord
-002	Carbon model with US Power Cord
-003	Touch Screen model with US Power Cord
-004	NAFTA model with US Power Cord (Made in Mexico)
-005	NA Kit with Powered Speakers
-006	GSA model with US Power Cord
-007	NH MPR model with US power cord (Made in Mexico)
-B24	TCO model without power cord (Digital Classic)
-201	EH model for Brazil (older Brazil models used -B29)
-202	EH model for Brazil Carbon (older Brazil models used -B29)
-C91	EH model for Mercosur countries
-C92	EH model for Mercosur countries Carbon
-B29	EH / ALADI model for Latin America
<a href="#">Note: All NA/LA models above are NH</a>	



## Options

### CRT Country Code Key (continued)

#### EUROPE, MIDDLE EAST AND AFRICA (EMEA)

Dash #	Description
-021	NH / TCO with Eurocord (DCE Hub)
-022	NH / MPR with Eurocord (DCE Hub) (India)
-023	NH Carbon model with Eurocord (DCE Hub)
-024	NH Touch Screen model with Eurocord (DCE Hub)
-025	NH Kit with Speakers and Eurocord
-A91	NH / TCO without power cord (Dubai hub)
-A92	NH / MPR without power cord (Dubai hub)
-031	NH / TCO with UK Cord (UK Hub)
-032	NH / MPR with UK Cord (UK Hub)
-033	NH / TCO carbon with UK Cord
-035	NH Kit with Speakers and UK Cord
-B21	SH / MPR without power cord (S. Africa Hub)
-B23	SH / TCO without power cord (S. Africa Hub)
-B27	SH / TCO Carbon without power cord (S. Africa Hub)

#### PACIFIC / AUSTRALIA (APD)

Dash #	Description
-B22	NH / MPR without power cord
-B24	NH / TCO without power cord
-B25	EH Carbon model without power cord
-B26	NH Touch Screen model without power cord
-011	SH model with AUZ/NZ power cord
-015	SH model with speakers AUZ/NZ power cord
-012	SH Carbon model with AUZ/NZ power cord
-AD1	NH model for Korea
-AD2	NH Carbon model for Korea
-B28	EH model without power cord
-B35	EH model with speakers no power cord (Singapore)

#### GREATER CHINA (GCD)

Dash #	Description
-AA1	NH / China Kit with CCIB label (Local Sales)
-AA2	NH/ Carbon China Kit with CCIB label (Local Sales)
-KA1	NH / China Kit with CCIB label (External Sales/Bundles in HK)
-AB1	NH / Taiwan kit, mfg. in Taiwan

#### JAPAN (CKK)

Dash #	Description
-291	NH / Japan Kit with 3-2 pin adapter
-292	NH Carbon Japan Kit with 3-2 pin adapter

## Options

TFT Country Code Key	EUROPE, MIDDLE EAST & AFRICA (EMEA)	
	Dash #	Description
	-021	Europe
	-031	UK
	NORTH AMERICA	
	Dash #	Description
	-001	NA
	-B24	All NA/LA models
	APD	
	Dash #	Description
	-011	Australia/NZ
	JAPAN (CKK)	
	Dash #	Description
	-291	Japan

## Tape Drives

Note: In order to install certain tape drives internally, you may need to remove the rails that come standard on the drives and then re-insert the screws in the mounting holes. Mounting screws are shipped standard with server.

### **Internal and External DAT Tape Drives**

Internal 12/24-GB DAT Drive (opal)	295513-B22
Internal 12/24-GB DAT Drive (opal) (Japan)	295513-292

Note: Please see the Compaq 12/24 GB DAT Drive QuickSpecs for additional options such as cassettes and for an up-to-date listing of the latest O/S Support details, please see the following:

[http://www5.compaq.com/products/quickspecs/10239\\_div/10239\\_div.HTML](http://www5.compaq.com/products/quickspecs/10239_div/10239_div.HTML) (Division/World Wide)  
[http://www5.compaq.com/products/quickspecs/10239\\_na/10239\\_na.HTML](http://www5.compaq.com/products/quickspecs/10239_na/10239_na.HTML) (North America)

Note: These Web sites are available in English only.

Internal 20/40-GB DAT DDS-4 Tape Drive	157769-B21
External 20/40-GB DAT DDS-4 Tape Drive	157770-001
External 20/40-GB DAT DDS-4 Tape Drive (Int'l)	157770-B31
External 20/40-GB DAT DDS-4 Tape Drive (Japan)	157770-291

Note: Please see the Compaq 20/40-GB DAT Tape Drive QuickSpecs for additional options such as host bus adapters, controllers, cassettes, and for an up-to-date listing of the latest O/S Support details, please see the following:

[http://www5.compaq.com/products/quickspecs/10426\\_div/10426\\_div.HTML](http://www5.compaq.com/products/quickspecs/10426_div/10426_div.HTML) (Division/World Wide)  
[http://www5.compaq.com/products/quickspecs/10426\\_na/10426\\_na.HTML](http://www5.compaq.com/products/quickspecs/10426_na/10426_na.HTML) (North America)

Note: These Web sites are available in English only.

## Options

### Tape Drives *(continued)*

#### **Internal and External AIT Tape Drives**

Internal AIT 35-GB, LVD Tape Drive	216884-B21
External AIT 35-GB, LVD Tape Drive (Carbon)	216885-001
External AIT 35-GB, LVD Tape Drive (Carbon) (Int'l)	216885-B31
External AIT 35-GB, LVD Tape Drive (Carbon) (Japan)	216885-291

Note: Please see the Compaq AIT 35GB, LVD Tape Drive QuickSpecs for additional options such as adapters, controllers, and cassettes, and for an up-to-date listing of the latest O/S Support details, please see the following:

[http://www5.compaq.com/products/quickspecs/10712\\_div/10712\\_div.HTML](http://www5.compaq.com/products/quickspecs/10712_div/10712_div.HTML) (Division/World Wide)

[http://www5.compaq.com/products/quickspecs/10712\\_na/10712\\_na.HTML](http://www5.compaq.com/products/quickspecs/10712_na/10712_na.HTML) (North America)

Note: These Web sites are available in English only.

Internal AIT 50-GB Tape Drive	157766-B21
External AIT 50-GB Tape Drive	157767-001
External AIT 50-GB Tape Drive (Int'l)	157767-B31
External AIT 50-GB Tape Drive (Japan)	157767-291

Note: Please see the Compaq AIT 50GB Tape Drive QuickSpecs for additional options such as adapters, controllers, and cassettes, and for an up-to-date listing of the latest O/S Support details, please see the following:

[http://www5.compaq.com/products/quickspecs/10425\\_div/10425\\_div.HTML](http://www5.compaq.com/products/quickspecs/10425_div/10425_div.HTML) (Division/World Wide)

[http://www5.compaq.com/products/quickspecs/10425\\_na/10425\\_na.HTML](http://www5.compaq.com/products/quickspecs/10425_na/10425_na.HTML) (North America)

Note: These Web sites are available in English only.

#### **Internal and External DLT / SDLT Tape Drives**

Internal 20/40-GB DLT Drive (opal)	340743-B22
Internal 20/40-GB DLT Drive (opal) (Japan)	340743-292
External 20/40-GB DLT Drive (opal)	340744-B22
External 20/40-GB DLT Drive (opal) (Japan)	340744-292

Note: Please see the Compaq 20/40-GB DLT Drive QuickSpecs for additional options such as data and cleaning cartridges, and for an up-to-date listing of the latest O/S Support details, please see the following:

[http://www5.compaq.com/products/quickspecs/10234\\_div/10234\\_div.HTML](http://www5.compaq.com/products/quickspecs/10234_div/10234_div.HTML) (Division/World Wide)

[http://www5.compaq.com/products/quickspecs/10234\\_na/10234\\_na.HTML](http://www5.compaq.com/products/quickspecs/10234_na/10234_na.HTML) (North America)

Note: These Web sites are available in English only.

Internal 40/80-GB DLT Enhanced Drive	146196-B24
External 40/80-GB DLT Enhanced Drive	146197-B22
External 40/80-GB DLT Enhanced Drive (Japan)	146197-292

Note: Please see the Compaq 40/80-GB DLT Drive QuickSpecs for additional options such as host bus adapters, controllers, cassettes, and for an up-to-date listing of the latest O/S Support details, please see the following:

[http://www5.compaq.com/products/quickspecs/10658\\_div/10658\\_div.HTML](http://www5.compaq.com/products/quickspecs/10658_div/10658_div.HTML) (Division/World Wide)

[http://www5.compaq.com/products/quickspecs/10658\\_na/10658\\_na.HTML](http://www5.compaq.com/products/quickspecs/10658_na/10658_na.HTML) (North America)

Note: These Web sites are available in English only.

SDLT 110/220 Internal, All	192106-B21
SDLT 110/220 External, NA	192103-001
SDLT 110/220 External, Int'l	192103-B31
SDLT 110/220 External, Japan	192103-291

Note: Please see the Compaq SDLT 110/220GB Tape Drive QuickSpecs for additional options such as adapters, controllers, and media, and for an up-to-date listing of the latest O/S Support details, please see the following:

[http://www5.compaq.com/products/quickspecs/10772\\_div/10772\\_div.HTML](http://www5.compaq.com/products/quickspecs/10772_div/10772_div.HTML) (Division/World Wide)

[http://www5.compaq.com/products/quickspecs/10772\\_na/10772\\_na.HTML](http://www5.compaq.com/products/quickspecs/10772_na/10772_na.HTML) (North America)

Note: These Web sites are available in English only.

## Options

### Tape Drives *(continued)*

#### **Hot- Plug Tape Drives** (Supported in Hot Plug drive bays)

Internal 20/40-GB DAT, Hot Plug (Carbon)	215488-B21
Internal AIT 35-GB, LVD, Hot Plug (Carbon)	216886-B21
Internal AIT 50-GB, Hot Plug (Carbon)	215487-B21

Note: The Hot Plug Tape Drive are supported in two 1" drive bays and are also supported internally by the *StorageWorks* 4200/4300 families and the TA1000 AIT Tape Array Library. Please see the Compaq Hot Plug Tape QuickSpecs for additional options such as controllers and adapters:

[http://www5.compaq.com/products/quickspecs/10785\\_div/10785\\_div.HTML](http://www5.compaq.com/products/quickspecs/10785_div/10785_div.HTML) (Division/World Wide)  
[http://www5.compaq.com/products/quickspecs/10785\\_na/10785\\_na.HTML](http://www5.compaq.com/products/quickspecs/10785_na/10785_na.HTML) (North America)

Note: These Web sites are available in English only.

#### **External DAT Autoloader**

20/40-GB DAT 8 Cassette Autoloader External	166505-001
20/40-GB DAT 8 Cassette Autoloader External (Int'l)	166505-B31
20/40-GB DAT 8 Cassette Autoloader External (Japan)	166505-291

Note: Please see the Compaq 20/40-GB DAT DDS-4 8 Cassette Autoloader QuickSpecs for additional options such as adapters, controllers, and cassettes, and for an up-to-date listing of the latest O/S Support details, please see the following:

[http://www5.compaq.com/products/quickspecs/10518\\_div/10518\\_div.HTML](http://www5.compaq.com/products/quickspecs/10518_div/10518_div.HTML) (Division/World Wide)  
[http://www5.compaq.com/products/quickspecs/10518\\_na/10518\\_na.HTML](http://www5.compaq.com/products/quickspecs/10518_na/10518_na.HTML) (North America)

Note: These Web sites are available in English only.

### Tape Storage Enclosures and Arrays

Note: Compaq Tape Storage Enclosures and Arrays are compatible with Compaq Internal tape drive options. Please see the QuickSpecs for each Tape Enclosure and Array Model to check for tape drive compatibility. The URL's are provided below.

#### **3U RM Storage Enclosure**

3U RM Storage Enclosure, Model 0	230603-B21
3U RM Storage Enclosure, Model 2 AIT	230604-B21
3U RM Storage Enclosure, Model 2 DLT	230605-B21
3U RM Storage Enclosure, Model 2 SDLT	230606-B21

Note: Please see the Compaq 3U RM Storage Enclosure QuickSpecs for additional options such as adapters, controllers, and cassettes, and for an up-to-date listing of the latest O/S Support details, please see the following:

[http://www5.compaq.com/products/quickspecs/10854\\_div/10854\\_div.HTML](http://www5.compaq.com/products/quickspecs/10854_div/10854_div.HTML) (Division/World Wide)  
[http://www5.compaq.com/products/quickspecs/10854\\_na/10854\\_na.HTML](http://www5.compaq.com/products/quickspecs/10854_na/10854_na.HTML) (North America)

Note: These Web sites are available in English only.

#### **DLT Tape Array III**

DLT Tape Array III Model 0	168047-001
DLT Tape Array III Model 0 (Japan)	168047-291
DLT Tape Array III Model 0 (Int'l)	168047-B31
DLT Tape Array III Model 40/80-4	161140-001
DLT Tape Array III Model 40/80-4 (Int'l)	161140-B31
DLT Tape Array III Model 40/80-4 (Japan)	161140-291
DLT Tape Array III SDLT-4 (NA)	229760-001
DLT Tape Array III SDLT-4 (Int'l)	229760-B31
DLT Tape Array III SDLT-4 (Japan)	229760-292

Note: Please see the *StorageWorks* DLT Tape Array III QuickSpecs for additional information including Tape Drives, Cartridges, Controllers, and SCSI Cables and additional options needed for a complete solution at:

[http://www5.compaq.com/products/quickspecs/10684\\_na/10684\\_na.HTML](http://www5.compaq.com/products/quickspecs/10684_na/10684_na.HTML) (North America)  
[http://www5.compaq.com/products/quickspecs/10684\\_div/10684\\_div.HTML](http://www5.compaq.com/products/quickspecs/10684_div/10684_div.HTML) (Division/World Wide)

Note: These Web sites are available in English only.

## Options

### Tape Storage Enclosures and Arrays *(continued)*

#### ***TA1000 AIT Tape Array***

TA1000 AIT Tape Array, Model 5, Rackmount (US)	195479-001
TA1000 AIT Tape Array, Model 5, Rackmount (Int'l)	195479-B31
TA1000 AIT Tape Array, Model 5, Rackmount (Japan)	195479-291
TA1000 AIT Tape Array, Model 10, Rackmount (US)	175005-001
TA1000 AIT Tape Array, Model 10, Rackmount (Int'l)	175005-B31
TA1000 AIT Tape Array, Model 10, Rackmount (Japan)	175005-291

Note: Please see the Compaq TA1000 AIT Tape Array QuickSpecs for additional information including Tape Drives, Cartridges, Controllers, and SCSI Cables and additional options needed for a complete solution at:  
[http://www5.compaq.com/products/quickspecs/10591\\_na/10591\\_na.HTML](http://www5.compaq.com/products/quickspecs/10591_na/10591_na.HTML) (North America)  
[http://www5.compaq.com/products/quickspecs/10591\\_div/10591\\_div.HTML](http://www5.compaq.com/products/quickspecs/10591_div/10591_div.HTML) (Division/World Wide)

Note: These Web sites are available in English only.

#### ***Tape Storage Enclosure Cable Kits***

LVD Cable Kit, VHDCI/HD68	168048-B21
Note: For use with the 3U RM Storage Enclosure and DLT Tape Array III only.	
LVD Cable Kit, HD68/HD68	242381-B21
Note: For use with the 3U RM Storage Enclosure and DLT Tape Array III only.	

### Tape Automation

#### ***SSL2020 Automated AIT Mini-Library***

SSL2020 AIT Mini-Library 1 drive, 20 slot Rackmount	175196-B21
SSL2020 AIT Mini-Library 2 drive, 20 slot Rackmount	175196-B22
SSL2020 AIT Library Pass Thru with Transport	175312-B21
SSL2020 AIT Library Pass Thru Extender	175312-B22
AIT 50-GB Drive Add-On LVD Drive for SSL2020 AIT Library	175197-B21

#### ***Required Adapters/Controllers for SSL2020 AIT Mini-Library***

64-Bit/66Mhz Dual Channel Wide Ultra3 SCSI Adapter	129803-B21
64-Bit/66Mhz Dual Channel Wide Ultra3 SCSI Adapter (Japan)	129803-291
SAN Access Module for Smart Array 5302 Controller	216687-B21
SAN Access Module for Smart Array 5302 Controller (Japan)	216687-291
Smart Array 5302/FC Controller	216688-B21
Smart Array 5302/FC Controller (Japan)	216688-291

Note: Please see the SSL2020 Automated AIT Tape Library Solution QuickSpecs for additional information including Upgrade Kits, Accessories, and SCSI Cable Kits and additional options needed for a complete solution at:

[http://www5.compaq.com/products/quickspecs/10580\\_na/10580\\_na.HTML](http://www5.compaq.com/products/quickspecs/10580_na/10580_na.HTML) (North America)  
[http://www5.compaq.com/products/quickspecs/10580\\_div/10580\\_div.HTML](http://www5.compaq.com/products/quickspecs/10580_div/10580_div.HTML) (Division/World Wide)

Note: These Web sites are available in English only.

## Options

### Tape Automation (continued)

#### ***TL891DLX Automated DLT Tape Library***

TL891DLX DLT Library, 1 drive Rack, LVD	157305-B21
TL891DLX DLT Library, 2 drive Rack, LVD	157305-B22
Add-On 40/80-GB Drive for TL891DLX, LVD	157303-B21
Add-On 40/80-GB Drive for TL8x1HVD	157304-B21

#### ***Required Adapters/Controllers for TL891DLX Automated DLT Tape Library***

64-Bit/66Mhz Dual Channel Wide Ultra3 SCSI Adapter	129803-B21
64-Bit/66Mhz Dual Channel Wide Ultra3 SCSI Adapter (Japan)	129803-291
SAN Access Module for Smart Array 5302 Controller	216687-B21
SAN Access Module for Smart Array 5302 Controller (Japan)	216687-291
Smart Array 5302/FC Controller	216688-B21
Smart Array 5302/FC Controller (Japan)	216688-291

Note: Please see the *StorageWorks* TL891DLX Automated DLT Tape Library QuickSpecs for additional information including Upgrade Kits, Accessories, and SCSI Cable Kits and additional options needed for a complete solution at:

[http://www5.compaq.com/products/quickspecs/10733\\_na/10733\\_na.HTML](http://www5.compaq.com/products/quickspecs/10733_na/10733_na.HTML) (North America)  
[http://www5.compaq.com/products/quickspecs/10733\\_div/10733\\_div.HTML](http://www5.compaq.com/products/quickspecs/10733_div/10733_div.HTML) (Division/World Wide)

Note: These Web sites are available in English only.

#### ***MSL5026 Library***

##### ***MSL5026DLX Library***

MSL5026DLX, 1 40/80-GB DLT, LVD Rackmount	231891-B21
MSL5026DLX, 2 40/80-GB DLT, LVD Rackmount	231891-B22

##### ***MSL5026SL Library***

MSL5026SL Library, SDLT 110/220, 1 Drive, LVD, Rackmount	231892-B21
MSL5026SL Library, SDLT 110/220, 2 Drives, LVD, Rackmount	231892-B22
MSL5K Field Upgrade SDLT 110/220 Drive, LVD	231823-B22

#### ***Required Adapters for MSL5026 Library***

64-Bit/66Mhz Dual Channel Wide Ultra3 SCSI Adapter	129803-B21
64-Bit/66Mhz Dual Channel Wide Ultra3 SCSI Adapter (Japan)	129803-291

Note: Please see the *StorageWorks* MSL5026DLX or MSL5026SL Library QuickSpecs for additional information including Upgrade Kits, Accessories, and SCSI Cable Kits and additional options needed for a complete solution at:

[http://www5.compaq.com/products/quickspecs/10860\\_na/10860\\_na.HTML](http://www5.compaq.com/products/quickspecs/10860_na/10860_na.HTML) (North America)  
[http://www5.compaq.com/products/quickspecs/10860\\_div/10860\\_div.HTML](http://www5.compaq.com/products/quickspecs/10860_div/10860_div.HTML) (Division/World Wide)

Note: These Web sites are available in English only.

### External Storage - Rack

<i>StorageWorks</i> Enclosure Model 4314R (rack-mountable)	190209-001
<i>StorageWorks</i> Enclosure Model 4314R (rack-mountable) (Int'l)	190209-B31
<i>StorageWorks</i> Enclosure Model 4314R (rack-mountable) (Japan)	190209-291
<i>StorageWorks</i> Enclosure Model 4354R (rack-mountable)	190211-001
<i>StorageWorks</i> Enclosure Model 4354R (rack-mountable) (Int'l)	190211-B31
<i>StorageWorks</i> Enclosure Model 4354R (rack-mountable) (Japan)	190211-291
Note: The <i>StorageWorks</i> Enclosure 4300 Family supports the Wide Ultra2/Ultra3 1" Hot Plug Hard Drives.	
<i>StorageWorks</i> Enclosure 4200 Redundant Power Supply Option	119826-B21
<i>StorageWorks</i> Enclosure 4200 Ultra3 Single Bus I/O Module Option	190212-B21
<i>StorageWorks</i> Enclosure 4200 Ultra3 Dual Bus I/O Module Option	190213-B21
<i>StorageWorks</i> Enclosure Tower to Rack Conversion Kit	150213-B21

## Options

<b>StorageWorks Modular Data Router</b>	<i>StorageWorks</i> Modular Data Router (MDR) (1FC x 2 HVD SCSI)	163082-B21
	<i>StorageWorks</i> Modular Data Router (MDR) (1FC x 2 LVD SCSI)	163083-B21
	<i>StorageWorks</i> Modular Data Router (MDR) (2FC x 4 HVD SCSI)	218240-B21
	<i>StorageWorks</i> Modular Data Router (MDR) (2FC x 4 LVD SCSI)	218241-B21
<p>Note: The Modular Data Router supports connections with any Compaq Hub, FC-AL Switch or SAN fabric switches. Connections are also supported for the SSL2020 and TL891DLX. Please see the <i>StorageWorks</i> Modular Data Router QuickSpecs for additional supported options please see the following:  <a href="http://www5.compaq.com/products/quickspecs/10660_na/10660_na.HTML">http://www5.compaq.com/products/quickspecs/10660_na/10660_na.HTML</a> (North America)  <a href="http://www5.compaq.com/products/quickspecs/10660_div/10660_div.HTML">http://www5.compaq.com/products/quickspecs/10660_div/10660_div.HTML</a> (Division/World Wide)</p> <p>Note: These Web sites are available in English only.</p>		

<b>StorageWorks RAID Array 4100</b>	<i>StorageWorks</i> Raid Array 4100 (rack)	146013-001	
	<i>StorageWorks</i> Raid Array 4100 (rack) (Int'l)	146013-B31	
	<i>StorageWorks</i> Raid Array 4100 (rack) (Japan)	146013-291	
	Fibre Channel Storage Hub 7	234453-001	
	Fibre Channel Storage Hub 7 (Int'l)	234453-B31	
	Fibre Channel Storage Hub 7 (Japan)	234453-291	
	Compaq Storage Hub 7 Universal Rack Mount Kit	136127-B21	
	Compaq Storage Hub 12 Management Option	159262-B21	
	Fibre Channel Host Adapter Redundancy Kit	174681-B21	
	<i>StorageWorks</i> Raid Array 4000 Redundant Array Controller	223187-B21	
	<i>StorageWorks</i> Fibre Channel Arbitrated Loop Switch 8	177862-B21	
	<i>StorageWorks</i> Fibre Channel Arbitrated Loop Switch 8 (Japan)	177862-291	
	<i>StorageWorks</i> Fibre Channel Arbitrated Loop 3-Port Expansion Module	177863-B21	
	<i>StorageWorks</i> Fibre Channel SAN Switch 8-EL	176219-B21	
	<i>StorageWorks</i> Fibre Channel SAN Switch 16-EL	212776-B21	
	Fibre Channel SAN Switch 8-port with Fabric Operating Software	158222-B21	
	Fibre Channel SAN Switch 16-port with Fabric Operating Software	158223-B21	
	GBIC-SW Connector Kit (two each)	234459-B21	
	GBIC-LW Connector Kit (two each)	304412-B21	
	Fibre Channel Connection Kit, 3 SW GBICS, 2 Cables	380579-B21	
	Fibre Channel Connection Kit, 2 SW GBICS, 2 Cables	380596-B21	
	Fibre Channel Short Wave GBIC	380561-B21	
	Fibre Channel Long Wave GBIC	127508-B21	
	2-meter Multi-Mode Fibre Channel Cable	234457-B21	
	5-meter Multi-Mode Fibre Channel Cable	234457-B22	
	15-meter Multi-Mode Fibre Channel Cable	234457-B23	
	30-meter Multi-Mode Fibre Channel Cable	234457-B24	
	50-meter Multi-Mode Fibre Channel Cable	234457-B25	
	Fibre Channel Troubleshooting Kit	234468-B21	
	<p>Note: Please see the <i>StorageWorks</i> RAID Array 4100 QuickSpecs for FC Hubs, FC switches, software support, host adapters/controllers, disks, and options for complete solutions at:  <a href="http://www5.compaq.com/products/quickspecs/10435_na/10435_na.HTML">http://www5.compaq.com/products/quickspecs/10435_na/10435_na.HTML</a> (North America)  <a href="http://www5.compaq.com/products/quickspecs/10435_div/10435_div.HTML">http://www5.compaq.com/products/quickspecs/10435_div/10435_div.HTML</a> (Division/World Wide)</p> <p>Note: These Web sites are available in English only.</p>		

## Options

<b>StorageWorks Modular Array 8000/Enterprise Modular Array 12000</b>	EMA12000 D14 60Hz	175990-B21
	EMA12000 D14 50Hz	175990-B22
	EMA12000 S14 60Hz	175991-B21
	EMA12000 S14 50Hz	175991-B22
	MA8000 60Hz	175992-B21
	MA8000 50Hz	175992-B22
	EMA12000 Blue 60Hz	175993-B21
	EMA12000 Blue 50Hz	175993-B22
<p>Note: Options include controller, solution kits, ACS. MA8000/EMA12000 includes controller shelf, drive shelves and cabinet. Packaging upgrade to RA8000/ESA12000.</p> <p>Note: Please see the <i>StorageWorks</i> MA8000/EMA12000 QuickSpecs for FC Hubs, FC switches, platform software, host adapters, disks and options for complete solutions at:  <a href="http://www5.compaq.com/products/quickspecs/North_America/10418.html">http://www5.compaq.com/products/quickspecs/North_America/10418.html</a> (North America)  <a href="http://www5.compaq.com/products/quickspecs/Division/10418.html">http://www5.compaq.com/products/quickspecs/Division/10418.html</a> (Division/World Wide)</p> <p>Note: These Web sites are available in English only.</p>		
<b>StorageWorks Enterprise Modular Array 16000 FC</b>	EMA16000 D14 50Hz (Opal)	238792-B22
	EMA16000 D14 60Hz (Opal)	238792-B21
	EMA16000 S14 50Hz (Opal)	238791-B22
	EMA16000 S14 60Hz (Opal)	238791-B21
<p>Note: Models include: Dual HSG80 controllers in each Model 2200 enclosure (2 pairs per single bus configuration, 4 pairs per dual bus configuration) with 1GB cache per controller pair, and 12 14-bay drive enclosures with redundant power supplies. Configure-to-Order (CTO) builds are available. Options include ACS, platform kits and <i>SANworks</i>™ software by Compaq.</p> <p>Note: Please see the <i>StorageWorks</i> EMA16000 QuickSpecs for FC switches, platform software, host adapters, disks and options for complete solutions at:  <a href="http://www5.compaq.com/products/quickspecs/North_America/10418.html">http://www5.compaq.com/products/quickspecs/North_America/10418.html</a> (North America)  <a href="http://www5.compaq.com/products/quickspecs/Division/10418.html">http://www5.compaq.com/products/quickspecs/Division/10418.html</a> (Division/World Wide)</p> <p>Note: These Web sites are available in English only.</p>		
<b>StorageWorks Options</b>	Fibre Channel SAN Switch/8 with Fabric Operating Software	158222-B21
	Fibre Channel SAN Switch/16 with Fabric Operating Software	158223-B21
	<i>StorageWorks</i> SAN Switches Integrated/32	230616-B21
	<i>StorageWorks</i> SAN Switches Integrated/64	230617-B21
	<i>StorageWorks</i> Fibre Channel SAN Switches 8-EL	176219-B21
	<i>StorageWorks</i> Fibre Channel SAN Switches 16-EL	212776-B21
	64-bit/66MHz Fibre Channel Host Adapter	120186-B21
	<p>Note: The 64-bit/66-Mhz Fibre Channel Host Adapter has been qualified for use with the Compaq RAID Array 4000 family of products, the Enterprise Backup Solution, and the RAID Array 8000 under NetWare.</p>	
	64-bit/66MHz Fibre Channel Host Adapter (Japan)	120186-291
	<p>Note: The 64-bit/66Mhz Fibre Channel Host Adapter has been qualified for use with the Compaq RAID Array 4000 family of products, the Enterprise Backup Solution (EBS) offerings, and the RAID Array 8000 under NetWare.</p>	
<i>StorageWorks</i> 64-bit/33MHz PCI-to-Fibre Channel Host Bus Adapter for NT	176479-B21	
<p>Note: The 64-bit/66Mhz Fibre Channel Host Adapter has been qualified for use with the Compaq RA8000, ESA12000, the Enterprise Backup Solution (EBS) offerings, Compaq 7 Port &amp; 12 Port Hubs and/or Compaq Fibre Channel Switches and Compaq Fibre Channel SAN Switches with x86NT environments.</p>		
F200 Clustering Kit	380357-B23	



## Options

<b>Uninterruptible Power Systems - Rack</b>	Compaq UPS R1500 XR (100 to 127) (NA)	204404-001
	Compaq UPS R1500 XR (208 to 480) (Int'l)	204404-B31
	Compaq UPS R1500 XR (100 to 127) (Japan)	204404-291
	Compaq UPS R3000 XR (120V) (NA)	192186-001
	Compaq UPS R3000 XR (208V) (NA)	192186-002
	Compaq UPS R3000 XR (100V) (Japan)	192186-291
	Compaq UPS R3000 XR (200V) (Japan)	192186-292
	Compaq UPS R3000 XR (230V) (Int'l - detachable cord)	192186-B31
	Compaq UPS R3000 XR (230V) (16A IEC309 Plug)	192186-B32
	Compaq UPS R3000 XR (230V) (16A CEE 7/7 SCHUKO Plug)	192186-B33
	Compaq UPS R3000 XR (230V) (16A BS-546 Plug)	192186-AR1
	Rack-Mountable UPS R6000 (208V) (NA)	347207-001
	Rack-Mountable UPS R6000 (230V) (Int'l)	347207-B31
	Rack-Mountable UPS R6000 (200V) (Japan)	347207-291
	R6000 Extended Runtime Module <i>Note: Available for the UPS R6000 Models only.</i>	347224-B21
	Extended Runtime Module, R3000 XR <i>Note: Available for the UPS R3000 XR Models only.</i>	192188-B21
	Extended Runtime Module, R1500 XR <i>Note: Available for the UPS R1500 XR Models only.</i>	218971-B21
	Six-Port Card <i>Note: Available for the new rack-mountable UPS "XR" Models only.</i>	192185-B21
	SNMP/Serial Port Card <i>Note: Available for the new rack-mountable UPS "XR" Models only.</i>	192189-B21
	SNMP-EN Adapter	347225-B21
High to Low Voltage Transformer (250VA)	388643-B21	
Multi-Server UPS Card	123508-B21	
Scalable UPS Card	123509-B21	
<b>Rack-Mountable PDU's - 1U/0U</b>	Compaq Power Distribution Unit-16A (200 to 240V)	207590-B21
	Compaq Power Distribution Unit-24A (200 to 240V) (NA, Japan, LA)	207590-D72
	Compaq Power Distribution Unit-32A (200 to 240V) (Int'l)	207590-B31
	Compaq Power Distribution Unit-40A (200 to 240V)	207590-B23
	Compaq Power Distribution Unit-24A (100 to 127V) (NA, Japan, LA)	207590-D71
	Compaq Dual Input Power Distribution Unit-24A High Voltage (NA only)	191186-001
	Compaq Dual Input Power Distribution Unit-24A High Voltage (Int'l)	191186-B31
<b>Rack Builder</b>	<b>Compaq Rack Builder for configuration assistance at <a href="http://www.compaq.com/rackbuilder/">www.compaq.com/rackbuilder/</a>. Note: This Web site is available in English only.</b>	
<b>Compaq Rack 10000 Series (Carbon)</b>	Compaq Rack 10642 (42U) - Pallet	245161-B21
	Compaq Rack 10642 (42U) - Shock Pallet	245161-B22
	Compaq Rack 10642 (42U) - Crated	245161-B23
	Compaq Rack 10622 (22U) - Pallet	245163-B21
	Compaq Rack 10622 (22U) - Shock Pallet	245163-B22
	Compaq Rack 10622 (22U) - Crated	245163-B23
	<i>Note: -B21 (pallet) used to ship empty racks shipped on a truck -B22 (shock pallet) used to ship racks with equipment installed (by custom systems, VARs and Channels) -B23 (crated) used for air shipments of empty racks</i>	

## Options

<b>Compaq Rack 9000 Series</b> (opal)	Compaq Rack 9142 (42U) – Pallet	120663-B21
	Compaq Rack 9142 (42U) – Shock Pallet	120663-B22
	Compaq Rack 9142 (42U) – Crated	120663-B23
	Compaq Rack 9136 (36U) – Pallet	120664-B21
	Compaq Rack 9136 (36U) – Shock Pallet	120664-B22
	Compaq Rack 9136 (36U) – Crated	120664-B23
	Compaq Rack 9122 (22U) – Pallet	120665-B21
	Compaq Rack 9122 (22U) – Shock Pallet	120665-B22
	Compaq Rack 9122 (22U) – Crated	120665-B23
	Compaq Rack 9842 (800mm wide, 42U) - Pallet	222192-B21
Note: -B21 (pallet) used to ship empty racks shipped on a truck -B22 (shock pallet) used to ship racks with equipment installed (by custom systems, VARs and Channels) -B23 (crated) used for air shipments of empty racks		
<b>Rack Options for Compaq Rack 10000 Series</b>	Rack Blanking Panels – Graphite (Multi)	253214-B26
	Rack Blanking Panels – Graphite (1U)	253214-B21
	Note: The Rack Blanking Panels (PN 253214-B21) contains 10 each of (1U)	
	Rack Blanking Panels – Graphite (2U)	253214-B22
	Note: The Rack Blanking Panels (PN 253214-B21) contains 10 each of (2U)	
	Rack Blanking Panels – Graphite (3U)	253214-B23
	Note: The Rack Blanking Panels (PN 253214-B21) contains 10 each of (3U)	
	Rack Blanking Panels – Graphite (4U)	253214-B24
	Note: The Rack Blanking Panels (PN 253214-B21) contains 10 each of (4U)	
	Rack Blanking Panels – Graphite (5U)	253214-B25
	Note: The Rack Blanking Panels (PN 253214-B21) contains 10 each of (5U)	
	600mm Stabilizer Kit – Graphite	246107-B21
	Baying Kit for Rack 10000 series (Carbon)	248929-B21
42U Side Panel – Graphite Metallic	246099-B21	
110V Fan Kit (Graphite)	257413-B21	
220V Fan Kit (Graphite)	257414-B21	
<b>Rack Options for Compaq Rack 9000 Series</b>	Baying/Coupling Kit	120669-B21
	42U Side Panel	120670-B21
	Note: The 42U Side Panel (PN 120670-B21) supports the Compaq Rack 9142 and Compaq Rack 9842.	
	36U Side Panel	120671-B21
	Note: The 36U Side Panel (PN 120671-B21) supports the Compaq Rack 9136.	
	Fan (110 VAC) Roof Mount	120677-B21
	Fan (220 VAC) Roof Mount	120678-B21
	Grounding Rack Option Kit	120682-B21
	Stabilizer Option Kit	120673-B21
	Rack 9142 Extension Kit	120679-B21
	Note: The 9142 Extension Kit (PN 120679-B21) supports the Compaq Rack 9142 only.	
	Rack Blanking Panels (1U)	189453-B21
	Note: The Rack Blanking Panels (PN 189453-B21) contains 10 each of (1U)	
	Rack Blanking Panels (2U)	189453-B22
	Note: The Rack Blanking Panels (PN 189453-B22) contains 10 each of (2U)	
	Rack Blanking Panels (3U)	189453-B23
	Note: The Rack Blanking Panels (PN 189453-B23) contains 10 each of (3U)	
Rack Blanking Panels (4U)	189453-B24	
Note: The Rack Blanking Panels (PN 189453-B24) contains 10 each of (4U)		
Rack Blanking Panels (5U)	189453-B25	
Note: The Rack Blanking Panels (PN 189453-B25) contains 10 each of (5U)		
9136 Extension Kit	218216-B21	

### Options

<b>Rack Options for Compaq Rack 9000 Series</b> <i>(continued)</i>	9142 Short Rear Door	218217-B21
	<i>Note: The 9142 Short Rear Door (PN 218217-B21) supports the Compaq Rack 9142 only.</i>	
	100kg Sliding Shelf	234672-B21
	9000/10000 Series Offset Baying Kit	248931-B21
	<i>Note: This kit can be used to connect 9000 and 10000 series racks of the same U height together. Kit contents include hardware for connecting racks and a panel to cover the 100mm gap at the rear of the two racks.</i>	
9136 Short Rear Door	218218-B21	
9122 Short Rear Door (Opal)	218219-B21	
<b>Rack Options for Compaq Rack 7000 Series</b>	High Air Flow Rack Door Insert for 7122	157847-B21
	High Air Flow Rack Door Insert for 7142	327281-B21
	High Air Flow Rack Door Insert for 7142 (6 pack)	327281-B22
	Compaq Rack Extension Kit for 7142	154392-B21
<b>Rack Options for Compaq Rack 7000, 9000 and 10000 Series</b>	Sliding Shelf Kit	332564-B21
	Monitor Utility Shelf	303606-B21
	Compaq Networking Cable Management Kit	292407-B21
	Compaq Networking Recessed Rail Management Kit	292406-B21
	Ballast Option Kit	120672-B21
	Rack Rail Adapter Kit (25" depth)	120675-B21
	Cable Management D-Rings Kit	168233-B21
	Console Management Controller (CMC) Option Kit	203039-B21
	Console Management Controller (CMC) Sensors Option Kit	203039-B22
	Console Management Controller (CMC) Locking Option Kit	203039-B23
	Console Management Controller (CMC) Smoke Sensors Option Kit	203039-B24
	Server Console Switch 1 x 2 port (100 to 230 VAC)	120206-001
	Server Console Switch 1 x 2 port (100 to 230 VAC) (Int'l)	120206-B31
	Server Console Switch 1 x 2 port (100 to 230 VAC) (Japan)	120206-291
	Server Console Switch 1 x 4 port (100 to 230 VAC)	400336-001
	Server Console Switch 1 x 4 port (100 to 230 VAC) (Int'l)	400336-B31
	Server Console Switch 1 x 4 port (100 to 230 VAC) (Japan)	400336-291
	Server Console Switch 1 x 8 port (100 to 230 VAC)	400337-001
	Server Console Switch 1 x 8 port (100 to 230 VAC) (Int'l)	400337-B31
	Server Console Switch 1 x 8 port (100 to 230 VAC) (Japan)	400337-291
	Server Console Switch 2 x 8 port (100 to 230 VAC)	400338-001
	Server Console Switch 2 x 8 port (100 to 230 VAC) (Int'l)	400338-B31
	Server Console Switch 2 x 8 port (100 to 230 VAC) (Japan)	400338-291
	Server Console Switch 2 x 8 port (48VDC)	400542-B21
	KVM 9 PIN Adapter (4 Pack)	149361-B21
	CPU to Server Console Cable, 12'	110936-B21
	CPU to Server Console Cable, 20'	110936-B22
	CPU to Server Console Cable, 40'	110936-B23
	CPU to Server Console Cable, 3'	110936-B24
	CPU to Server Console Cable, 7'	110936-B25
	CPU to Server Console Cable (Plenum Rated) 20'	149363-B21
	CPU to Server Console Cable (Plenum Rated) 40'	149364-B21
	Switch Box Connector Kit (115V)	144007-001
	Switch Box Connector Kit (230V)	144007-002
	Switch Box Connector Kit (high voltage) (Int'l)	144007-B33
	TFT5600 Rack Keyboard Monitor (US)	221546-001
TFT5600 Rack Keyboard Monitor (UK)	221546-031	
TFT5600 Rack Keyboard Monitor (Germany)	221546-041	
TFT5600 Rack Keyboard Monitor (France)	221546-051	

## Options

<b>Rack Options for Compaq Rack 7000 and 9000 Series</b> <i>(continued)</i>	TFT5600 Rack Keyboard Monitor (Italy)	221546-061	
	TFT5600 Rack Keyboard Monitor (Spain)	221546-071	
	TFT5600 Rack Keyboard Monitor (Denmark)	221546-081	
	TFT5600 Rack Keyboard Monitor (Norway)	221546-091	
	TFT5600 Rack Keyboard Monitor (Sweden/Finland)	221546-101	
	TFT5600 Rack Keyboard Monitor (Swiss)	221546-111	
	TFT5600 Rack Keyboard Monitor (Portugal)	221546-131	
	TFT5600 Rack Keyboard Monitor (Belgium)	221546-181	
	TFT5600 Rack Keyboard Monitor (Japan)	221546-291	
	TFT5600 Rack Keyboard Monitor (Int'l)	221546-B31	
	Keyboard with Hot Keys and Trackball (US)	158649-001	
	Keyboard with Hot Keys and Trackball (UK)	158649-003	
	Keyboard with Hot Keys and Trackball (German)	158649-004	
	Keyboard with Hot Keys and Trackball (French)	158649-005	
	Keyboard with Hot Keys and Trackball (Italian)	158649-006	
	Keyboard with Hot Keys and Trackball (Spanish)	158649-007	
	Keyboard with Hot Keys and Trackball (Danish)	158649-008	
	Keyboard with Hot Keys and Trackball (Norwegian)	158649-009	
	Keyboard with Hot Keys and Trackball (Swedish)	158649-010	
	Keyboard with Hot Keys and Trackball (Swiss)	158649-011	
	Keyboard with Hot Keys and Trackball (Portuguese)	158649-013	
	Keyboard with Hot Keys and Trackball (Belgian)	158649-018	
	Keyboard with Hot Keys and Trackball (Japan)	158649-291	
	Keyboard with Hot Keys and Trackball (Int'l)	158649-B36	
	PCI KVM Management Card Kit	232983-B21	
	PCI KVM Remote Card Kit	232984-B21	
	Local Access Cable Kit	232985-B21	
	1U Rack Keyboard Drawer	338056-B21	
	Keyboard/Monitor/Mouse extension cables	169989-001	
	9000/10000 Series Offset Baying Kit	248931-B21	
	<i>Note: This kit can be used to connect 9000 and 10000 series racks of the same U height together. Kit contents include hardware for connecting racks and a panel to cover the 100mm gap at the rear of the two racks.</i>		
	<b>Rack Options for Third Party Cabinet Racks</b>	Depth Adjustable Fixed Rails	332558-B21
<i>Note: Not suitable for all third party racks.</i>			

### Options

Service and Support Offerings (CarePaq Services)	Hardware Services 4-Hour On-site Service	
	4-Hour On-site Service, 9-Hour x 5-Day Coverage, 3 Years (2-5-2 Part Number for US)	FM-LO4HR-36
	4-Hour On-site Service, 9-Hour x 5-Day Coverage, 3 Years (2-5-2 Part Number for Canada)	FP-LO4HR-36
	4-Hour On-site Service, 9-Hour x 5-Day Coverage, 3 Years (6-3 Part Number for US)	162658-002
	4-Hour On-site Service, 9-Hour x 5-Day Coverage, 3 Years (6-3 Part Number for Canada)	162658-122
	4-Hour On-site Service, 9-Hour x 5-Day Coverage, 3 Years (6-3 Part Number for EMEA)	324417-002
	4-Hour On-site Service, 24-Hour x 7-Day Coverage, 3 Years (2-5-2 Part Number for US)	FM-LO724-36
	4-Hour On-site Service, 24-Hour x 7-Day Coverage, 3 Years (2-5-2 Part Number for Canada)	FP-LO724-36
	4-Hour On-site Service, 24-Hour x 7-Day Coverage, 3 Years (6-3 Part Number for US)	162657-002
	4-Hour On-site Service, 24-Hour x 7-Day Coverage, 3 Years (6-3 Part Number for Canada)	162657-122
	4-Hour On-site Service, 24-Hour x 7-Day Coverage, 3 Years (6-3 Part Number for EMEA)	376912-022
	<b>Installation &amp; Start-up Services</b>	
	Hardware Installation (2-5-2 Part Number for US)	FM-LOINS-IN
	Hardware Installation (2-5-2 Part Number for Canada)	FP-LOINS-IN
	Hardware Installation (6-3 Part Number for US)	401792-002
	Hardware Installation (6-3 Part Number for Canada)	401792-122
	Hardware Installation (6-3 Part Number for EMEA)	Quote
	Pre-installation planning; unpack equipment, install most current Compaq HW options internal to server at same time of server installation; assemble & test; basic user information provided; Install & configure basic functionality of Win NT Operating System plus up to 2 days start-up activity, configure print & network access services, and orientation (2-5-2 Part Number for U.S.)	FP-MSTAR-02
	Pre-installation planning; unpack equipment, install most current Compaq HW options internal to server at same time of server installation; assemble & test; basic user information provided; Install & configure basic functionality of Win NT Operating System plus up to 2 days start-up activity, configure print & network access services, and orientation (6-3 Part Number for U.S.)	240014-002
	Pre-installation planning; unpack equipment, install most current Compaq HW options internal to server at same time of server installation; assemble & test; basic user information provided; Install & configure basic functionality of Novell NetWare Operating System plus up to 2 days start-up activity, configure print & network access services, and orientation (2-5-2 Part Number for U.S.)	FP-NSTAR-02
	Pre-installation planning; unpack equipment, install most current Compaq HW options internal to server at same time of server installation; assemble & test; basic user information provided; Install & configure basic functionality of Novell NetWare Operating System plus up to 2 days start-up activity, configure print & network access services, and orientation (6-3 Part Number for U.S.)	240009-002
	Server Installation and Set-Up (Installation of the server, installation of the appropriate service tools, check to ensure device SW and firmware is loaded and installation of the operating system software)(6-3 Part Number for EMEA)	204563-022
	<b>CarePaq Priority Services for ProLiant Servers - Priority Level</b>	
	9 x 5 HW, 4-hr response, Next Available HW engineer; 9 x 5 Bronze Software Support 2-hr response for Windows NT, Windows 2000, Professional, Server or Advanced Server Operating System, Next Available Specialist (2-5-2 Part Number for U.S.)	FP-M01C2-36
	9 x 5 HW, 4-hr response, Next Available HW engineer; 9 x 5 Bronze Software Support 2-hr response for Windows NT, Windows 2000, Professional, Server or Advanced Server Operating System, Next Available Specialist (6-3 Part Number for U.S.)	239929-002
	9 x 5 HW, 4-hr response, Next Available HW engineer; 9 x 5 Bronze Software Support 2-hr response for Novell NetWare Operating System, Next Available Specialist (2-5-2 Part Number for U.S.)	FP-N01C2-36
	9 x 5 HW, 4-hr response, Next Available HW engineer; 9 x 5 Bronze Software Support 2-hr response for Novell NetWare Operating System, Next Available Specialist (6-3 Part Number for U.S.)	239969-002
	5 x 9 4-hour H/W, 5 x 9 2-hour O/S (NT & NetWare), Three Years (2-5-2 Part Number for Canada)	FP-CZ102-36
	5 x 9 4-hour H/W, 5 x 9 2-hour O/S (NT & NetWare), Three Years (6-3 Part Number for Canada)	155324-122
	5 x 9 4-hour H/W, 5 x 9 2-hour O/S (NT & NetWare), Three Years (6-3 Part Number for EMEA)	179835-022

### Options

Service and Support Offerings (CarePaq Services) <i>(continued)</i>	<b>CarePaq Priority Services for ProLiant Servers - Priority 24 Level</b>	
	24 x 7 HW, 4-hr response, Named HW engineer; 24 x 7 Bronze Software Support, 2-hr response for Windows NT, Windows 2000, Professional, Server or Advanced Server Operating System, Next Available Specialist (2-5-2 Part Number for U.S.)	FP-M02C2-36
	24 x 7 HW, 4-hr response, Named HW engineer; 24 x 7 Bronze Software Support, 2-hr response for Windows NT, Windows 2000, Professional, Server or Advanced Server Operating System, Next Available Specialist (6-3 Part Number for U.S.)	239931-002
	24 x 7 HW, 4-hr response, Named HW engineer; 24 x 7 Bronze Software Support, 2-hr response for Novell NetWare Operating System, Next Available Specialist (2-5-2 Part Number for U.S.)	FP-N02C2-36
	24 x 7 HW, 4-hr response, Named HW engineer; 24 x 7 Bronze Software Support, 2-hr response for Novell NetWare Operating System, Next Available Specialist (6-3 Part Number for U.S.)	239971-002
	7 x 24 4-hour H/W, 7 x 24 2-hour O/S (NT & NetWare), Three years (6-3 Part Number for EMEA)	179840-022
	<b>CarePaq Priority Services for ProLiant Servers - Priority Plus Level</b>	
	7 x 24 4-hour H/W, 7 x 24 1-hour O/S (NT & NetWare), SPS account review, Three Years (2-5-2 Part Number for Canada)	FP-CZ302-36
	7 x 24 4-hour H/W, 7 x 24 1-hour O/S (NT & NetWare), SPS account review, Three Years (6-3 Part Number for Canada)	155332-122
	<b>CarePaq Priority Services for ProLiant Servers - Priority Silver</b>	
24 x 7 HW, 4-hr response, Named HW engineer; 24 x 7 Silver Software Support, 1-hr response, Monday – Friday, 8AM – 5PM local time, 2-hr response after hours for Windows NT, Windows 2000, Professional, Server or Advanced Server Operating System, Technical Account Manager, Technical Newsletter, SW activity review, proactive patch notification, 1 System Healthcheck per year (2-5-2 Part Number for U.S.)	FP-M04C2-36	
24 x 7 HW, 4-hr response, Named HW engineer; 24 x 7 Silver Software Support, 1-hr response, Monday – Friday, 8AM – 5PM local time, 2-hr response after hours for Windows NT, Windows 2000, Professional, Server or Advanced Server Operating System, Technical Account Manager, Technical Newsletter, SW activity review, proactive patch notification, 1 System Healthcheck per year (6-3 Part Number for U.S.)	239933-002	
24 x 7 HW, 4-hr response, Named HW engineer; 24 x 7 Silver Subsequent System Support for Windows NT, Windows 2000, Professional, Server or Advanced Server Operating System (2-5-2 Part Number for U.S.)	FP-M24C2-36	
24 x 7 HW, 4-hr response, Named HW engineer; 24 x 7 Silver Subsequent System Support for Windows NT, Windows 2000, Professional, Server or Advanced Server Operating System (6-3 Part Number for U.S.)	239935-002	
24 x 7 HW, 4-hr response, Named HW engineer; 24 x 7 Silver Software Support, 1-hr response, Monday – Friday, 8AM – 5PM local time, 2-hr response after hours for Novell NetWare Operating System, Technical Account Manager, Technical Newsletter, SW activity review (2-5-2 Part Number for U.S.)	FP-N04C2-36	
24 x 7 HW, 4-hr response, Named HW engineer; 24 x 7 Silver Software Support, 1-hr response, Monday – Friday, 8AM – 5PM local time, 2-hr response after hours for Novell NetWare Operating System, Technical Account Manager, Technical Newsletter, SW activity review (6-3 Part Number for U.S.)	239973-002	
24 x 7 HW, 4-hr response, Named HW engineer; 24 x 7 Silver Subsequent System Support for Novell NetWare Operating System (2-5-2 Part Number for U.S.)	FP-N24C2-36	
24 x 7 HW, 4-hr response, Named HW engineer; 24 x 7 Silver Subsequent System Support for Novell NetWare Operating System (6-3 Part Number for U.S.)	239975-002	
<b>CarePaq Priority Services for ProLiant Servers – Priority Premier Level</b>		
7 x 24 2-hour H/W, 7 x 24 1-hour O/S (NT & NetWare), SPS Account Review, Proactive Management Review, named S/w rep, Three Years (2-5-2 Part Number for Canada)	FP-CZ502-36	
7 x 24 2-hour H/W, 7 x 24 1-hour O/S (NT & NetWare), SPS Account Review, Proactive Management Review, named S/w rep, Three Years (6-3 Part Number for Canada)	155336-122	
<b>CarePaq Priority Services for ProLiant Servers – Priority Executive Premier Level</b>		
7 x 24 2-hour H/W, 7 x 24 30-minute O/S (NT & NetWare), SPS Account Review, Proactive Management Review, named S/w rep, Three Years (2-5-2 Part Number for Canada)	FP-CZ702-36	
7 x 24 2-hour H/W, 7 x 24 30-minute O/S (NT & NetWare), SPS Account Review, Proactive Management Review, named S/w rep, Three Years (6-3 Part Number for Canada)	155340-122	
<p>Note: For more information, customer/resellers can contact <a href="http://www.Compaq.com/services">www.Compaq.com/services</a>.</p> <p>Note: This Web site is available in English only.</p>		

## Memory

### Compaq ProLiant Model DL380 All Models

#### STANDARD MEMORY

128-MB PC133 MHz Registered ECC SDRAM DIMM installed (1 x 128-MB SDRAM DIMM)

#### STANDARD MEMORY PLUS OPTIONAL MEMORY

Up to 3200-MB memory is available with the optional installation of PC133 MHz Registered ECC SDRAM DIMM memory kits.

#### STANDARD MEMORY REPLACED WITH OPTIONAL MEMORY

Up to 4096-MB of memory is available with the removal of the standard 128-MB of memory and the optional installation of PC133 MHz Registered ECC SDRAM DIMM memory kits.

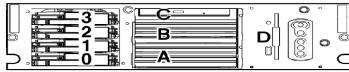
Note: Chart does not represent all possible configurations.

Memory		Slot			
		1	2	3	4
Standard	128 MB	128 MB	Empty	Empty	Empty
Optional	3200 MB	128 MB	1024 MB	1024 MB	1024 MB
Maximum	4096 MB	1024 MB	1024 MB	1024 MB	1024 MB

Following are memory options available from Compaq:

- 1024-MB PC133 MHz Registered ECC SDRAM DIMM Memory Option Kit 128280-B21
- 512-MB PC133 MHz Registered ECC SDRAM DIMM Memory Option Kit 128279-B21
- 256-MB PC133 MHz Registered ECC SDRAM DIMM Memory Option Kit 128278-B21
- 128-MB PC133 MHz Registered ECC SDRAM DIMM Memory Option Kit 128277-B21
- 64-MB PC133 MHz Registered ECC SDRAM DIMM Memory Option Kit 128276-B21

### Storage



- 0, 1, 2, 3      4 x 1 inch Wide Ultra2/Ultra3 SCSI Hot Pluggable Hard Drive Bays
- A, B            Two available half height bays for tape backup storage or optional 2 x 1" Ultra2/Ultra3 Drive Cage
- C                Low-profile 24x IDE CD-ROM
- D                3.5 inch Diskette Drive

### DRIVE SUPPORT

	Quantity Supported	Position Supported	Controller
<b>Removable Media</b>			
1.44-MB Diskette Drive	Up to 1	D	Integrated
IDE CD-ROM Drive	Up to 1	C	Integrated IDE
DVD-ROM Drive Option Kit	Up to 1	A, B	Integrated IDE

#### Hard Drives

##### Wide Ultra3 Hot Pluggable Drives

<b>1-inch</b>	Up to 4	0-3	Integrated Smart Array Controller
72.8-GB 10,000 rpm	Up to 6 (Requires installation of optional 2x1" Ultra2/Ultra3 Drive Cage, PN 157007-B21)	0-3 & A, B	Smart Array 431 Controller
36.4-GB 10,000 rpm			Smart Array 5300 Controller
18.2-GB 10,000 rpm			64-Bit/66-MHz Dual Channel Wide Ultra3 SCSI Adapter
36.4-GB 15,000 rpm			64-Bit/66-MHz Single Channel Wide Ultra3 SCSI Adapter
18.2-GB 15,000 rpm			

##### Wide Ultra3 Non-Hot Plug Drives

<b>1-inch</b>	Up to 2	A, B	Integrated Smart Array Controller
36.4-GB 10,000 rpm			Smart Array 431 Controller
18.2-GB 10,000 rpm			Smart Array 5300 Controller
			64-Bit/66-MHz Dual Channel Wide Ultra3 SCSI Adapter
			64-Bit/66-MHz Single Channel Wide Ultra3 SCSI Adapter

#### External Storage

StorageWorks Enclosure 4300 Family (supports Ultra2/Ultra3 1" drives only)	Up to 16	External	Smart Array 431 Controller
			Smart Array 5300 Controller
			64-Bit/66-MHz Dual Channel Wide Ultra3 SCSI Adapter
			64-Bit/66-MHz Single Channel Wide Ultra3 SCSI Adapter
3U RM Storage Expander	Up to 3	External	64-bit/66-MHz Dual Channel Wide Ultra3 SCSI Adapter
			64-bit/66-MHz Single Channel Wide Ultra3 SCSI Adapter
StorageWorks Raid Array 4100 Kit	Up to 10 (with optional StorageWorks Hubs or Switches)	External	Fibre Channel Host Adapter

#### Maximum Storage Capacity (StorageWorks Enclosure SCSI Attached)

Internal	436.8 GB ((4 x 72.8 Wide Ultra3 1" Drives) + (2 x 72.8 Wide Ultra3 1" Drives))
External	16.307 TB (16 x (14 x 72.8-GB 1" Wide Ultra3 Drives))
Total	8.372 TB

#### Maximum Storage Capacity (External RAID Array 4100 Direct Attached)

Internal	436.8 GB ((4 x 72.8 Wide Ultra3 1" Drives) + (2 x 72.8 Wide Ultra3 1" Drives))
External	8.736 TB (10 x (12 x 72.8-GB 1" Wide Ultra3 Drives))
Total	9.172 TB



## Storage

### DRIVE SUPPORT *(continued)*

	Quantity Supported	Position Supported	Controller
<b>Tape Drives</b>			
Note: For an up-to-date listing of the latest O/S Support details for each of the Tape Drives listed below, please see the following: <a href="http://www5.compaq.com/products/quickspecs/North_America/10233.html">http://www5.compaq.com/products/quickspecs/North_America/10233.html</a> (North America) <a href="http://www5.compaq.com/products/quickspecs/Division/10233.html">http://www5.compaq.com/products/quickspecs/Division/10233.html</a> (Division/World Wide)			
Note: For an up-to-date listing of the latest O/S Support details for each of the Tape Storage Systems listed below, please see the following: <a href="http://www5.compaq.com/products/quickspecs/North_America/10809.html">http://www5.compaq.com/products/quickspecs/North_America/10809.html</a> (North America) <a href="http://www5.compaq.com/products/quickspecs/Division/10809.html">http://www5.compaq.com/products/quickspecs/Division/10809.html</a> (Division/World Wide)			
Note: These Web sites are available in English only.			
Internal 20/40-GB DAT DDS-4 Internal 12/24-GB DAT	Up to 2	A, B	Integrated Smart Array Controller Compaq Wide-Ultra SCSI-3 Adapter
Internal 40/80-GB DLT Enhanced Internal 20/40-GB DLT	Up to 1	A, B	Integrated Smart Array Controller Compaq Dual Channel Wide-Ultra SCSI-3 Adapter Compaq Wide-Ultra SCSI-3 Adapter 64-Bit/66-MHz Dual Channel Wide Ultra3 SCSI Adapter 64-Bit/66-MHz Single Channel Wide Ultra3 SCSI Adapter
AIT 50-GB Internal AIT 35-GB LVD Internal	Up to 2	A, B	Integrated Smart Array Controller Compaq Dual Channel Wide-Ultra SCSI-3 Adapter Compaq Wide-Ultra SCSI-3 Adapter 64-bit/66-MHz Dual Channel Wide Ultra3 SCSI Adapter 64-bit/66-MHz Single Channel Wide Ultra3 SCSI Adapter
SDLT 110/220-GB, Internal	Up to 1	A, B	64-bit/66-MHz Dual Channel Wide Ultra3 SCSI Adapter 64-bit/66-MHz Single Channel Wide Ultra3 SCSI Adapter
20/40-GB DAT DDS-4 8 Cassette Autoloader (external)	Up to 2	External	Compaq Dual Channel Wide-Ultra SCSI-3 Adapter Compaq Wide-Ultra SCSI-3 Adapter 64-Bit/66-MHz Dual Channel Wide Ultra3 SCSI Adapter 64-Bit/66-MHz Single Channel Wide Ultra3 SCSI Adapter
DLT Tape Array III	1 to 4	External	Compaq Dual Channel Wide-Ultra SCSI-3 Adapter Compaq Wide-Ultra SCSI-3 Adapter
SDLT 110/220-GB, External	Up to 2	External	64-bit/66-MHz Dual Channel Wide Ultra3 SCSI Adapter 64-bit/66-MHz Single Channel Wide Ultra3 SCSI Adapter
AIT 50-GB External AIT 35-GB LVD External	2	External	Integrated Smart Array Controller Compaq Dual Channel Wide-Ultra SCSI-3 Adapter Compaq Wide-Ultra SCSI-3 Adapter 64-bit/66-MHz Dual Channel Wide Ultra3 SCSI Adapter 64-bit/66-MHz Single Channel Wide Ultra3 SCSI Adapter
External 40/80-GB DLT Enhanced External 20/40-GB DLT	Up to 3	External	Compaq Dual Channel Wide-Ultra SCSI-3 Adapter Compaq Wide-Ultra SCSI-3 Adapter 64-Bit/66-MHz Dual Channel Wide Ultra3 SCSI Adapter 64-Bit/66-MHz Single Channel Wide Ultra3 SCSI Adapter
TA1000 AIT Tape Array	Up to 1	External	Compaq Wide-Ultra SCSI-3 Adapter 64-Bit Dual Channel Wide Ultra2 SCSI Adapter 64-Bit/66-MHz Dual Channel Wide Ultra3 SCSI Adapter
SSL2020 AIT Mini-Library	Up to 5	External	64-Bit Dual Channel Wide Ultra2 SCSI Adapter 64-Bit/66-MHz Dual Channel Wide Ultra3 SCSI Adapter SAN Access Module for Smart Array 5302 Controller Smart Array 5302/FC Controller
MSL5026DLX (40/80GB DLT-based) and MSL5026SL (SDLT-based) Library	2 drives per SCSI channel	External	64-Bit Dual Channel Wide Ultra2 SCSI Adapter 64-Bit/66-MHz Dual Channel Wide Ultra3 SCSI Adapter
TL891DLX DLT Library	2 drives per SCSI channel	External	64-Bit Dual Channel Wide Ultra2 SCSI Adapter 64-Bit/66-MHz Dual Channel Wide Ultra3 SCSI Adapter SAN Access Module for Smart Array 5302 Controller Smart Array 5302/FC Controller

## Technical Specifications

<b>System Unit</b>	<b>Dimensions (HxWxD)</b>	5.1 x 19 x 24.6 in/13.1 x 48.3 x 62.5 cm		
	<b>Weight</b>	No hard drives installed, one power supply 35 lbs/15.9 kg		
	<b>Input Requirements</b> (per power supply)	Range Line Voltage	90 to 132 VAC/180 to 265 VAC	
		Nominal Line Voltage	100 to 120 VAC/220 to 240 VAC	
		Rated Input Current	4.8A (110V) to 2.4A (220V)	
		Rated Input Frequency	50 to 60 Hz	
		Rated Input Power	432W	
	<b>Nominal Input Voltage (Vrms)</b>	110 115 208 220 230 240		
	<b>Max. Inrush Current (A Peak)</b>	80	85	140 150 155 160
	<b>Max. Inrush Current Duration (mS)</b>	3	3	2 2 2 2
	<b>BTU Rating</b>	1,475 BTU/HR		
	<b>SCSI Connectors</b>	Three HD68 connectors (2 internal, 1 external) supporting Ultra2		
	<b>Power Supply Output Power</b> (per power supply)	Rated Steady-State Power	275W	
		Maximum Peak Power	305W	
	<b>Temperature Range</b>	Operating	50° to 95°F/10° to 35°C	
		Shipping	-22° to 122°F/-30° to 50°C	
	<b>Relative Humidity</b> (non-condensing)	Operating	8% to 90%	
		Non-operating	5% to 95%	
	<b>Maximum Wet Bulb Temperature</b>	101.7°F/38.7°C		
	<b>Acoustic Noise</b>	Idle		
(Fixed Disk Drives Spinning)				
L <sub>wAd</sub> (BELS)		6.6		
L <sub>pAm</sub> (dBA)		49		
Operating				
(Random Seeks to Fixed Disks)				
L <sub>wAd</sub> (BELS)	6.8			
L <sub>pAm</sub> (dBA)	50			
<b>1.44-MB Diskette Drive</b>	<b>Diskette Size</b>	3.5 in		
	<b>LED Indicators (front panel)</b>	Green		
	<b>Read/Write Capacity per Diskette (high/low density)</b>	1.44 MB/720 KB		
	<b>Drive Supported</b>	One		
	<b>Drive Height</b>	One-third		
	<b>Drive Rotation</b>	300 rpm		
	<b>Transfer Rate (high/low)</b>	500/250 Kb/s		
	<b>Bytes/Sector</b>	512		
	<b>Sectors/Track (high/low)</b>	18/9		
	<b>Tracks/Side (high/low)</b>	80/80		
	<b>Access Times</b>	Track-to-Track (high/low)	3/6 ms	
		Average (high/low)	169/94 ms	
		Settling Time	15 ms	
		Latency Average	100 ms	
<b>Cylinders (high/low)</b>	80/80			
<b>Read/Write Heads</b>	Two			

## Technical Specifications

Hot Plug Wide Ultra3 SCSI Hard Drives	72.8 GB10K 232432-B22	<b>Capacity</b>	72837.2 MB		
		<b>Height</b>	1 in/25.4 mm		
		<b>Width</b>	4 in/101.6 mm		
		<b>Interface</b>	Wide Ultra3 SCSI		
		<b>Transfer Rate Synchronous (Maximum)</b>	160 MB/s		
		<b>Seek Time</b> (typical reads, including settling)	Single Track	0.3 ms	
			Average	4.5 ms	
			Full-Stroke	11 ms	
		<b>Physical Configuration</b>	Rotational Speed	10,000 rpm	
			Bytes/Sector	512	
<b>Operating Temperature</b>	Logical Blocks	142,264,000			
		41° to 131°F/5° to 55°C			
	36.4 GB 10K 176496-B22	<b>Capacity</b>	36419.2 MB		
		<b>Height</b>	1 in/25.4 mm		
		<b>Width</b>	4 in/101.6 mm		
		<b>Interface</b>	Wide Ultra3 SCSI		
		<b>Transfer Rate Synchronous (Maximum)</b>	160 MB/s		
		<b>Seek Time</b> (typical reads, including settling)	Single Track	0.9 ms	
			Average	5.7 ms	
			Full-Stroke	13 ms	
		<b>Physical Configuration</b>	Rotational Speed	10,000 rpm	
			Logical Blocks	71,132,000	
<b>Operating Temperature</b>		50° to 95°F/10° to 35°C			
	18.2 GB 10K 142673-B22	<b>Capacity</b>	18209.3 MB		
		<b>Height</b>	1 in/25.4 mm		
		<b>Width</b>	4 in/101.6 mm		
		<b>Interface</b>	Wide Ultra3 SCSI		
		<b>Transfer Rate Synchronous (Maximum)</b>	160 MB/s		
		<b>Seek Time</b> (typical reads, including settling)	Single Track	0.9 ms	
			Average	5.5 ms	
			Full-Stroke	12 ms	
		<b>Physical Configuration</b>	Rotational Speed	10,000 rpm	
			Logical Blocks	35,566,080	
<b>Operating Temperature</b>		50° to 95°F/10° to 35°C			
	36.4 GB 15K 232916-B22	<b>Capacity</b>	36419.2 MB		
		<b>Height</b>	1 in/25.4 mm		
		<b>Width</b>	4 in/101.6 mm		
		<b>Interface</b>	Wide Ultra3 SCSI		
		<b>Transfer Rate Synchronous (Maximum)</b>	160 MB/s		
		<b>Seek Time</b> (typical reads, including settling)	Single Track	0.4 ms	
			Average	3.8 ms	
			Full-Stroke	7 ms	
		<b>Physical Configuration</b>	Rotational Speed	15,000 rpm	
			Bytes/Sector	512	
<b>Operating Temperature</b>	Logical Blocks	71,132,000			
		50° to 95°F/10° to 35°C			

## Technical Specifications

<b>Hot Plug Wide Ultra3 SCSI Hard Drives</b> <i>(continued)</i>	<b>18.2 GB 15K</b>	<b>Capacity</b>	18209.3 MB
	<b>188122-B22</b>	<b>Height</b>	1 in/25.4 mm
		<b>Width</b>	4 in/101.6 mm
		<b>Interface</b>	Wide Ultra3 SCSI
		<b>Transfer Rate Synchronous (Maximum)</b>	160 MB/s
		<b>Seek Time (typical reads, including settling)</b>	Single Track 0.7 ms Average 3.9 ms Full-Stroke 12 ms
			Rotational Speed 15,000 rpm
		<b>Physical Configuration</b>	Logical Blocks 35,565,080
		<b>Operating Temperature</b>	50° to 95°F/10° to 35°C
	<b>Non-Hot Plug Wide Ultra3 SCSI Hard Drives</b>	<b>36.4 GB 10K</b>	<b>Capacity</b>
<b>176497-B21</b>		<b>Height</b>	1 in/25.4 mm
		<b>Width</b>	4 in/101.6 mm
		<b>Interface</b>	Wide Ultra3 SCSI
		<b>Transfer Rate Synchronous (Maximum)</b>	160 MB/s
		<b>Seek Time (typical reads, including settling)</b>	Single Track 0.9 ms Average 5.7 ms Full-Stroke 13 ms
			Rotational Speed 10,000 rpm
		<b>Physical Configuration</b>	Logical Blocks 71,132,000
		<b>Operating Temperature</b>	50° to 95°F/10° to 35°C
		<b>18.2 GB 10K</b>	<b>Capacity</b>
<b>142674-B21</b>	<b>Height</b>	1 in/25.4 mm	
	<b>Width</b>	4 in/101.6 mm	
	<b>Interface</b>	Wide Ultra3 SCSI	
	<b>Transfer Rate Synchronous (Maximum)</b>	160 MB/s	
	<b>Seek Time (typical reads, including settling)</b>	Single Track 0.9 ms Average 5.5 ms Full-Stroke 12 ms	
		Rotational Speed 10,000 rpm	
	<b>Physical Configuration</b>	Logical Blocks 35,565,080	
	<b>Operating Temperature</b>	50° to 95°F/10° to 35°C	

## Technical Specifications

<b>Low-Profile 24X Max IDE CD-ROM Drive</b>	<b>Disk</b>	<b>Applicable Disk</b>	CD-DA, CD-ROM (Mode 1 and 2) CD-XA, CD-I (Mode 2, Form 1 and 2) CD-I Ready, CD Extra, Video CD, CD-Bridge Photo CD (Single and Multi-session) CD-WO	
		<b>Capacity</b>	550 MB (Mode 1, 12 cm) 640 MB (Mode 2, 12 cm)	
		<b>Diameter</b>	4.7 in, 3.15 in/12 cm, 8 cm	
		<b>Rotational Speed</b>	4200 rpm maximum	
		<b>Center Hole</b>	0.6 in/15 mm diameter	
		<b>Thickness</b>	1.2 mm	
		<b>Track Pitch</b>	1.6 µm	
		<b>Block Size</b>	Mode 0 Mode 1 Mode 2	2,368, 2,352 bytes 2,352, 2,340, 2,336, 2,048 bytes 2,352, 2,340, 2,336, 2,048 bytes
		<b>Interface</b>	IDE (ATAPI)	
		<b>Access Times (typical)</b>	Random Full-Stroke	< 140 ms < 300 ms
	<b>Data Transfer Rate</b>	Sustained Burst	150 KB/s (sustained 1X) 2100 to 4800 KB/s	
	<b>Cache Buffer</b>	128 KB		
	<b>Start-up Time (typical)</b>	< 10 seconds		
	<b>Stop Time</b>	< 5 seconds		
	<b>Operating Conditions</b>	Temperature Humidity	41° to 120°F/5° to 55°C 10% to 80%	
	<b>Dimensions</b>	(HxWxD, maximum) Weight	0.51 x 5.24 x 5.2 in/12.7 x 131 x 130 mm < 340 g	

## Technical Specifications

Integrated Smart Array Controller	Data Compatible with all Smart Array Controllers	Yes
	Instant Upgrades to other Smart Array Controllers	Yes
	Consistent Software Manageability Tools	Yes
	PCI Bus	32-bit, 33 MHz (integrated on server board)
	PCI Peak Data Transfer Rate	133 MB/s
	SCSI Protocols Supported	Ultra2, Wide-Ultra
	SCSI Peak Data Transfer Rate	80 MB/s
	Note: For ProLiant servers having TWO internal drive bays on separate SCSI ports: SCSI Peak Data Transfer Rate is 160 MB/s total; 80 MB/s per channel and Channels is 2.	
	Channels	2
	Note: For ProLiant servers having two internal drive bays on separate SCSI ports: SCSI Peak Data Transfer Rate is 160 MB/s total; 80 MB/s per channel and Channels is 2. The second channel on the DL380 is for external tape support only.	
	SCSI Ports (external/internal)	1/1
	Note: For ProLiant servers having two internal drive bays on separate SCSI ports: SCSI Peak Data Transfer Rate is 160 MB/s total; 80 MB/s per channel and Channels is 2. The DL380 has a SCSI port at the back of the server for external tape support only.	
	Drives Supported (maximum)	Maximum = total number of internal drives
	Note: Maximum is the total number of internal drives on each specific ProLiant server.	
	Cache	8-MB read only
RAID Support	0, 1, 1+0, 5	
Logical Drives (maximum)	32	
Online Configuration	Yes	
Online Capacity Expansion	Yes	
Logical Drive Capacity Extension	Yes	
Online Stripe Size Migration	Yes	
Online RAID Level Migration	Yes	
Online Spare Support	Yes	
Automatic Data Recovery	Yes	
Drive Roaming	Yes	
Redundant Controllers	No	

## Technical Specifications

Compaq NC3163 Fast Ethernet NIC Embedded 10/100 WOL	<b>Network Interface</b>	10Base-T/100Base-TX
	<b>Compatibility</b>	IEEE 802.3/802.3u compliant
	<b>Data Transfer Method</b>	32-bit bus-master PCI
	<b>Network Transfer Rate</b>	
	10Base-T (Half-Duplex)	10 Mb/s
	10Base-T (Full-Duplex)	20 Mb/s
	100Base-TX (Half-Duplex)	100 Mb/s
	100Base-TX (Full-Duplex)	200 Mb/s
	<b>Connector</b>	RJ-45
	<b>Cable Support</b>	10Base-T
	100Base-TX	Category 5 UTP; up to 328 feet (100 meters)
Video Controller	<b>Controller Chip</b>	ATI RAGE IIC PCI
	<b>Video DRAM</b>	4 MB Video SDRAM
	<b>Data Transfer Method</b>	32-bit PCI
	<b>Support Resolution</b>	Supported Color Depths:
	640 x 480	16.7M, 64K, 256, 16
	800 x 600	16.7M, 64K, 256, 16
	1024 x 768	16.7M, 64K, 256, 16
	1152 x 864	16.7M, 64K, 256, 16
	1280 x 1024	16.7M, 64K, 256, 16
	1600 x 1200	64K, 256, 16
<b>Connector</b>	VGA	
Smart Array 5300 Controller	<b>Data Compatible with all Smart Array Controllers</b>	Yes
	<b>Instant Upgrades to other Smart Array Controllers</b>	Yes
	<b>Consistent Software Manageability Tools</b>	Yes
	<b>PCI Bus</b>	64-bit, 66MHz
	<b>PCI Peak Data Transfer Rate</b>	533 MB/s
	<b>SCSI Protocols Supported</b>	Ultra3, Ultra2, Wide-Ultra
	<b>SCSI Peak Data Transfer Rate</b>	640 MB/s total, 160 MB/s per channel
	<b>Channels</b>	2, 4
	<b>SCSI Ports (external/internal)</b>	2 channel model: 2/2 4 channel model: 4/2
	<b>Drives Supported (maximum)</b>	56
	<b>Note: Drives Supported (maximum) is based on use of StorageWorks Enclosure 4200 family. (14 hard disk drive enclosure)</b>	
	<b>Cache</b>	128, 64 or 32 MB battery backed read-write
	<b>RAID Support</b>	0, 1, 1+0, 5, Advanced Data Guarding
	<b>Note: For customers who have purchased the SA-5304/128 a quick firmware upgrades to enable the technology will be available from <a href="http://www.compaq.com/smartarray">www.compaq.com/smartarray</a>. Note: This Web site is available in English only.</b>	
	<b>Note: RAID Support: Advanced Data Guarding (RAID ADG) is available with 128-MB versions of the SA-5300 only.</b>	
	<b>Logical Drives (maximum)</b>	32
	<b>Online Configuration</b>	Yes
	<b>Online Capacity Expansion</b>	Yes
	<b>Logical Drive Capacity Extension</b>	Yes
	<b>Online Stripe Size Migration</b>	Yes
	<b>Online RAID Level Migration</b>	Yes
	<b>Online Spare Support</b>	Yes
	<b>Automatic Data Recovery</b>	Yes
<b>Drive Roaming</b>	Yes	
<b>Redundant Controllers</b>	No	

## Technical Specifications

Smart Array 431 Controller	Data Compatible with all Smart Array Controllers	Yes	
	Instant Upgrades to other Smart Array Controllers	Yes	
	Consistent Software Manageability Tools	Yes	
	PCI Bus	64-bit, 33MHz	
	PCI Peak Data Transfer Rate	266 MB/s	
	SCSI Protocols Supported	Ultra3, Ultra2, Wide-Ultra	
	SCSI Peak Data Transfer Rate	160 MB/s	
	Channels	1	
	SCSI Ports (external/internal)	1/1	
	Drives Supported (maximum)	14	
	Note: Drives Supported (maximum) is based on use of <i>StorageWorks</i> Enclosure 4200/4300 family (14 hard disk drive enclosure).		
	Cache	16-MB cache engine	
	RAID Support	0, 1, 1+0, 5	
	Logical Drives (maximum)	32	
	Online Configuration	Yes	
	Online Capacity Expansion	Yes	
	Logical Drive Capacity Extension	Yes	
	Online Stripe Size Migration	Yes	
	Online RAID Level Migration	Yes	
	Online Spare Support	Yes	
Automatic Data Recovery	Yes		
Drive Roaming	Yes		
Redundant Controllers	No		
64-bit/66-MHz Single Channel Wide Ultra3 SCSI Adapter	Drives Supported	Up to 14 SCSI devices	
	Storage Capacity	254.8 GB	
	Data Transfer Method	64-bit / 66-MHz PCI bus-master	
	Maximum SCSI Channel Transfer Rate	160 MB/s per channel	
	Maximum Transfer Rate per PCI Bus (peak)	532 MB/s per channel	
	SCSI Protocols	Wide Ultra3 SCSI	
		Wide Ultra2 SCSI	
		Wide-Ultra SCSI-3	
		Fast-Wide SCSI-2	
		Fast SCSI-2	
	Electrical Protocol	Low Voltage Differential (LVD)	
	SCSI Termination	Active Termination	
External SCSI Connectors	One 68-Pin Wide Ultra SCSI-3 connector		
Internal SCSI Connectors	Two 68-Pin Wide Ultra SCSI-3 connectors (one LVD and one SE)		
	One 50-Pin Narrow Ultra connector		



### Technical Specifications

64-bit/66-MHz Dual Channel Wide Ultra3 SCSI Adapter	<b>Drives Supported</b>	Up to 28 SCSI devices (14 per channel)
	<b>Storage Capacity</b>	509.6 GB
	<b>Data Transfer Method</b>	64-bit / 66-MHz PCI bus-master
	<b>Maximum SCSI Channel Transfer Rate</b>	160 MB/s per channel
	<b>Maximum Transfer Rate per PCI Bus (peak)</b>	532 MB/s per channel
	<b>SCSI Protocols</b>	Wide Ultra3 SCSI Wide Ultra2 SCSI Wide-Ultra SCSI-3 Fast-Wide SCSI-2 Fast SCSI-2
	<b>Electrical Protocol</b>	Low Voltage Differential (LVD)
	<b>SCSI Termination</b>	Active Termination
	<b>External SCSI Connectors</b>	Two 68-Pin VHDCI connectors
	<b>Internal SCSI Connectors</b>	Two 68-Pin Wide Ultra SCSI-3 connectors One 50-Pin Narrow Ultra connector

Compaq Rack 10642 (42U)(optional)	Dimensions	Total Cabinet	Shipping	Color
	Height	78.7 in/2,000 mm	86.22 in/2,190 mm	
	Depth	39.691 in/1,008.17 mm	48 in/1,219.2 mm	Graphite Metallic – doors
	Width	24 in/612.77 mm	32 in/812.8 mm	Carbon – frame
	Weight	253 lbs/114.84 kg	325 lbs/147.52 kg	

Compaq Rack 10622 (22U)(optional)	Dimensions	Total Cabinet	Shipping	Color
	Height	43 in/1,092 mm	52.25 in/1,327.15 mm	
	Depth	39.691 in/1,008.17 mm	48 in/1,219.2 mm	Graphite Metallic – doors
	Width	24 in/612.77 mm	32 in/812.8 mm	Carbon – frame
	Weight	176 lbs/79.89 kg	225 lbs/102.13 kg	

Compaq Rack 9842 (42U)(optional)	Dimensions	Total Cabinet	Shipping	Color
	Height	78.7 in/2,000 mm	86.22 in/2,190 mm	
	Depth	35.8 in/909 mm	48 in/1219.2 mm	Opal
	Width	31.5 in/800 mm	38.8 in/985.52 mm	
	Weight	374 lbs/170 kg	440 lbs/200 kg	

Compaq Rack 9142 (42U)(optional)	Dimensions	Total Cabinet	Shipping	Color
	Height	78.7 in/2,000 mm	83.38 in/2,168.65 mm	
	Depth	35.8 in/909 mm	48 in/121.92 mm	Opal
	Width	23.7 in/603 mm	32 in/812.8 mm	
	Weight	253 lbs/114.84 kg	325 lbs/147.52 kg	

Compaq Rack 9136 (36U)(optional)	Dimensions	Total Cabinet	Shipping	Color
	Height	68.6 in/1,742 mm	75.25 in/1,911.35 mm	
	Depth	35.8 in/909 mm	48 in/121.92 mm	Opal
	Width	23.7 in/603 mm	32 in/812.8 mm	
	Weight	165 lbs/75 kg	234 lbs/106 kg	

Compaq Rack 9122 (22U)(optional)	Dimensions	Total Cabinet	Shipping	Color
	Height	43 in/1,092 mm	52.25 in/1,327.15 mm	
	Depth	35.8 in/909 mm	48 in/121.92 mm	Opal
	Width	24 in/610 mm	32 in/812.8 mm	
	Weight	176 lbs/79.89 kg	225 lbs/102.13 kg	